



US00D570687S

(12) **United States Design Patent**
Kelders et al.

(10) **Patent No.:** **US D570,687 S**

(45) **Date of Patent:** **** Jun. 10, 2008**

(54) **CONTAINER**

D472,467 S * 4/2003 Weinstein et al. D9/430

(75) Inventors: **Johannus Hubertus Jozef Maria Kelders**, Champéry (CH); **Roy Edwin Van Swieten**, Hedel (NL)

FOREIGN PATENT DOCUMENTS

WO DM/055486 * 1/2001

* cited by examiner

(73) Assignee: **Intelligent Packaging Systems Group SA**, Champéry (CH)

Primary Examiner—Ian Simmons

Assistant Examiner—Dana L Sipos

(74) *Attorney, Agent, or Firm*—The Webb Law Firm

(**) Term: **14 Years**

(57) **CLAIM**

(21) Appl. No.: **29/222,265**

The ornamental design for a container, as shown.

(22) Filed: **Jan. 27, 2005**

(30) **Foreign Application Priority Data**

DESCRIPTION

Jul. 30, 2004	(EM)	000209150-0001
Jul. 30, 2004	(EM)	000209150-0002
Jul. 30, 2004	(EM)	000209150-0003
Jul. 30, 2004	(EM)	000290150-0004
Jul. 30, 2004	(EM)	000290150-0005

FIG. 1 is a bottom perspective view of a container in accordance with the present invention;

FIG. 2 is a top perspective view thereof;

FIG. 3 is a top perspective view of the inside, bottom component of the container of FIG. 1;

FIG. 4 is a bottom perspective view thereof;

FIG. 5 is a top perspective view of the inside, upper component of the container of FIG. 1;

FIG. 6 is a bottom perspective view thereof;

FIG. 7 is a side elevational view thereof;

FIG. 8 is a bottom perspective view of the container of FIG. 1 with the inside, upper component removed;

FIG. 9 is a top perspective view thereof;

FIG. 10 is a top plan view of the inside, bottom component of FIG. 3;

FIG. 11 is a side elevational view thereof;

FIG. 12 is a bottom plan view thereof;

FIG. 13 is a bottom perspective view of the container of FIG. 1 with the inside top and bottom components removed; and,

FIG. 14 is a top perspective view thereof.

The broken lines shown in the drawings represent unclaimed environment and are for illustrative purposes only, forming no part of the claimed design.

(51) **LOC (8) Cl.** **09-01**

(52) **U.S. Cl.** **D9/500; D9/502; D9/516**

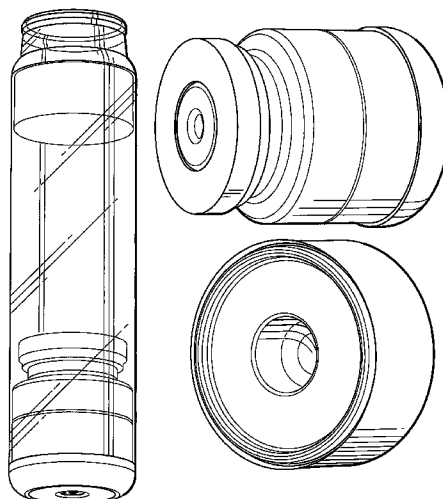
(58) **Field of Classification Search** D9/414,
D9/446, 500, 502-503, 516, 537-539, 549,
D9/551, 557-558; D7/509-511, 608; 215/379-382;
220/660-662, 669-673, 675, 677, 680-681
See application file for complete search history.

(56) **References Cited**

U.S. PATENT DOCUMENTS

2,464,278	A *	3/1949	Wilson	229/5.7
3,071,281	A *	1/1963	Sawai	220/4.01
4,645,078	A *	2/1987	Reyner	206/524.8
D320,931	S *	10/1991	Siegel	D9/551
D328,706	S *	8/1992	Ruff	D9/430
D376,979	S *	12/1996	Davidson, III	D9/504
D433,633	S *	11/2000	La Fata	D9/502
D443,819	S *	6/2001	Gitersonke	D9/418
D446,122	S *	8/2001	Weinstein et al.	D9/504
D464,883	S *	10/2002	Weinstein et al.	D9/430

1 Claim, 7 Drawing Sheets



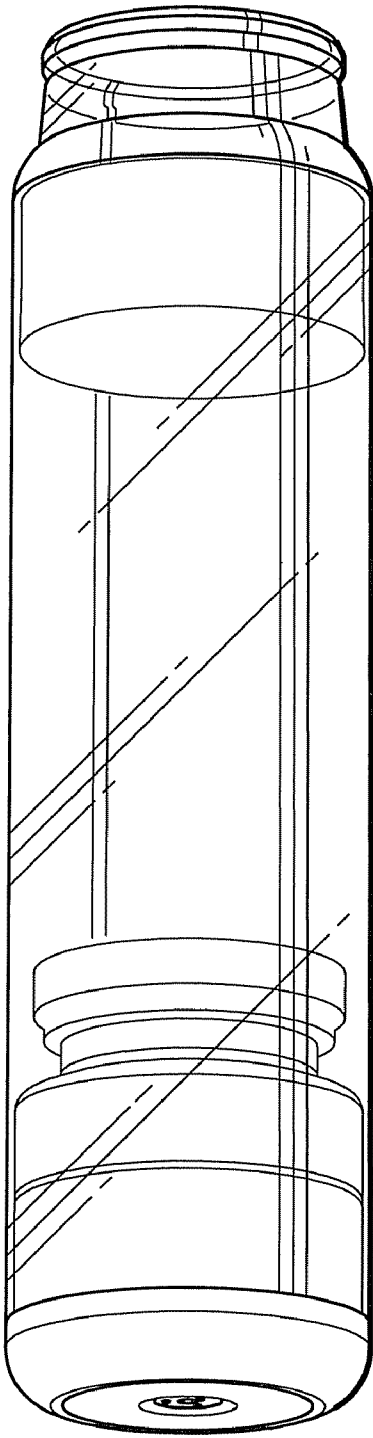


FIG. 1

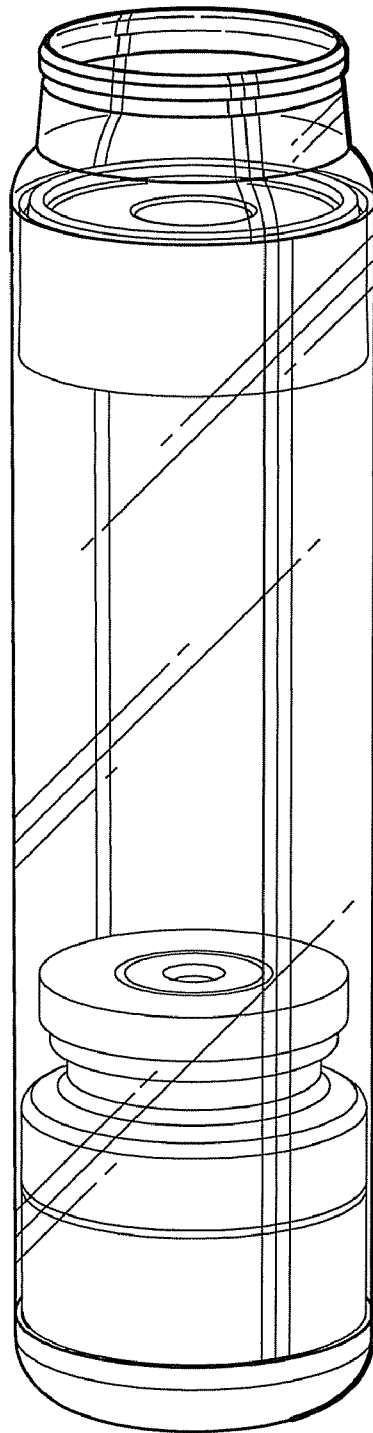


FIG. 2

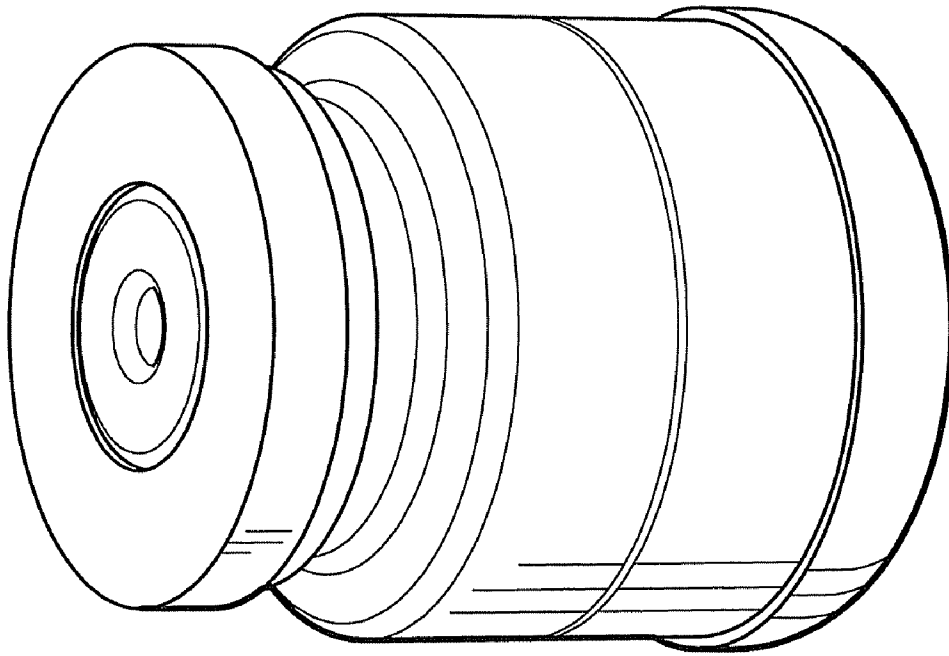


FIG. 3

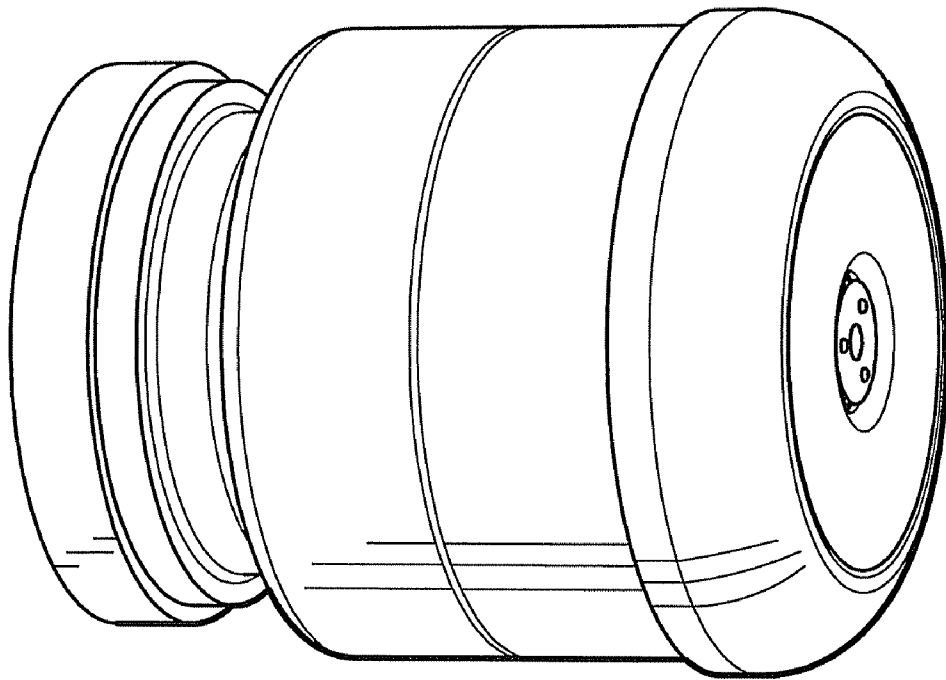


FIG. 4

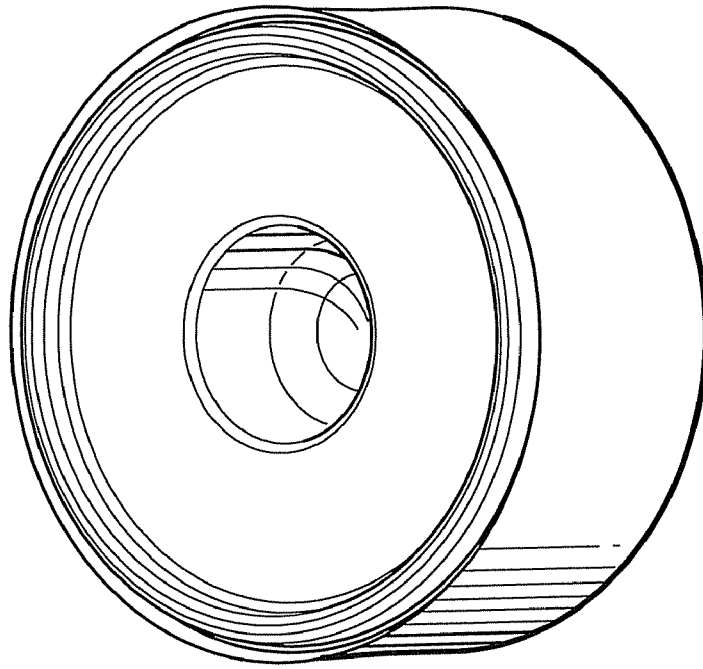


FIG. 5

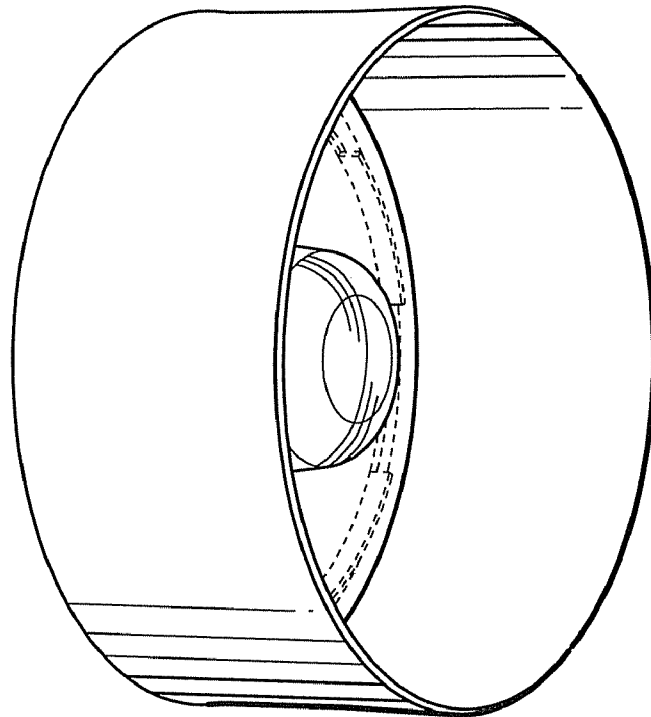


FIG. 6

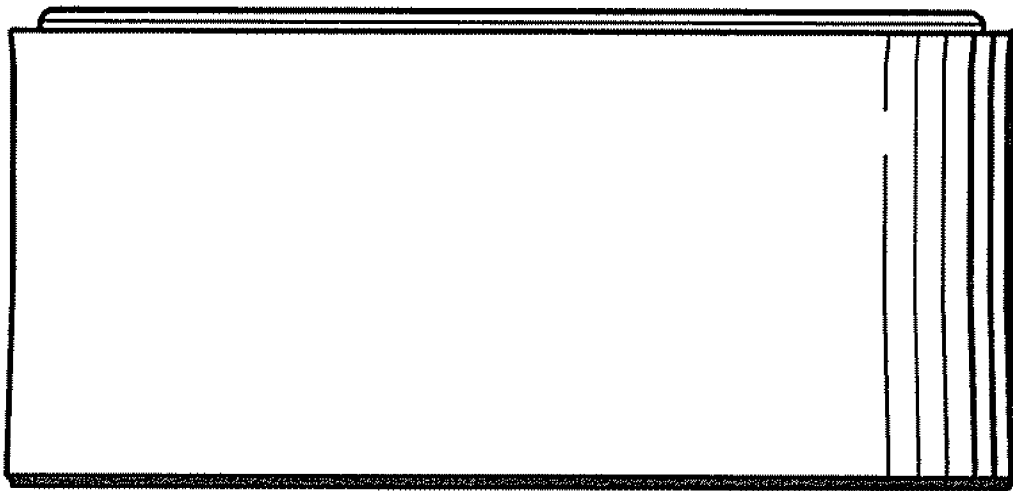


FIG. 7

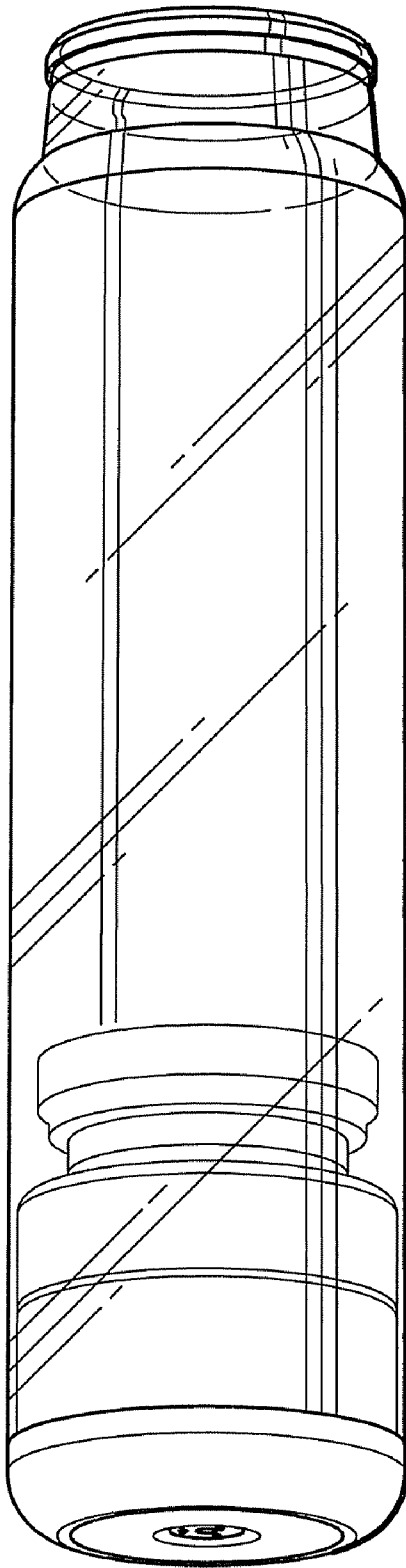


FIG. 8

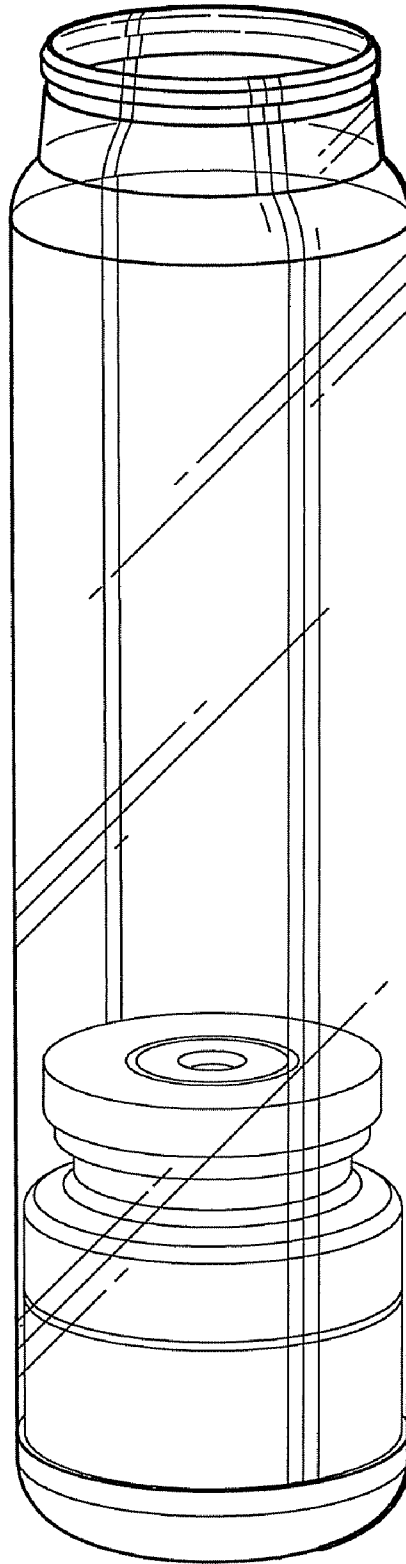


FIG. 9

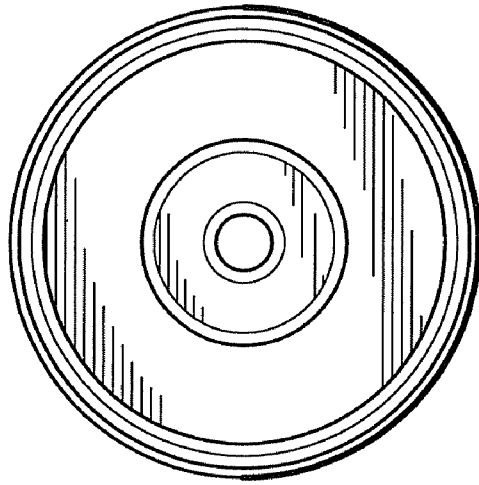


FIG. 10

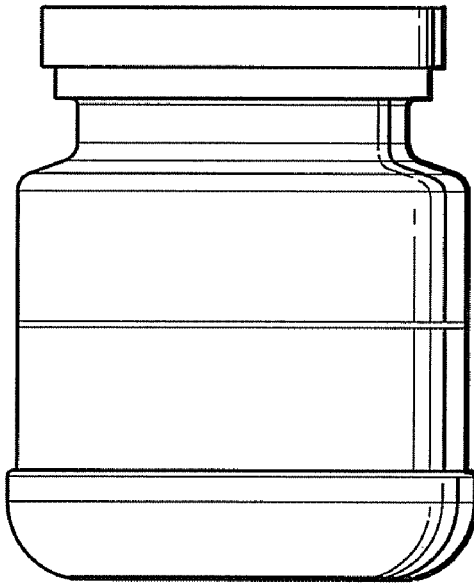


FIG. 11

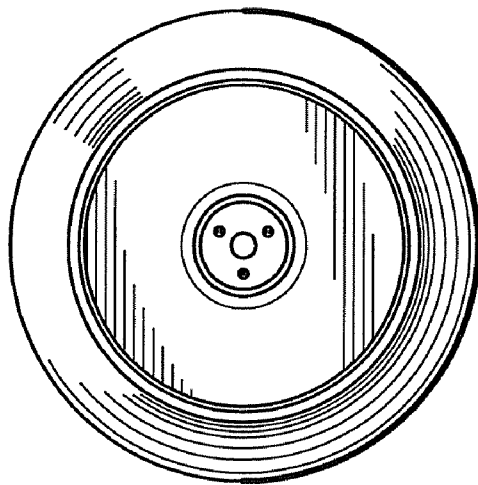


FIG. 12

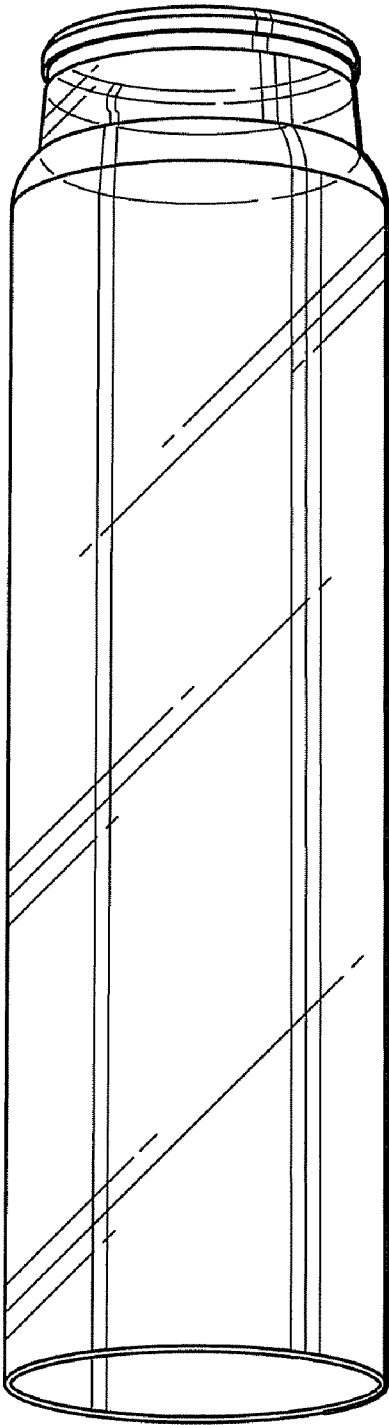


FIG. 13

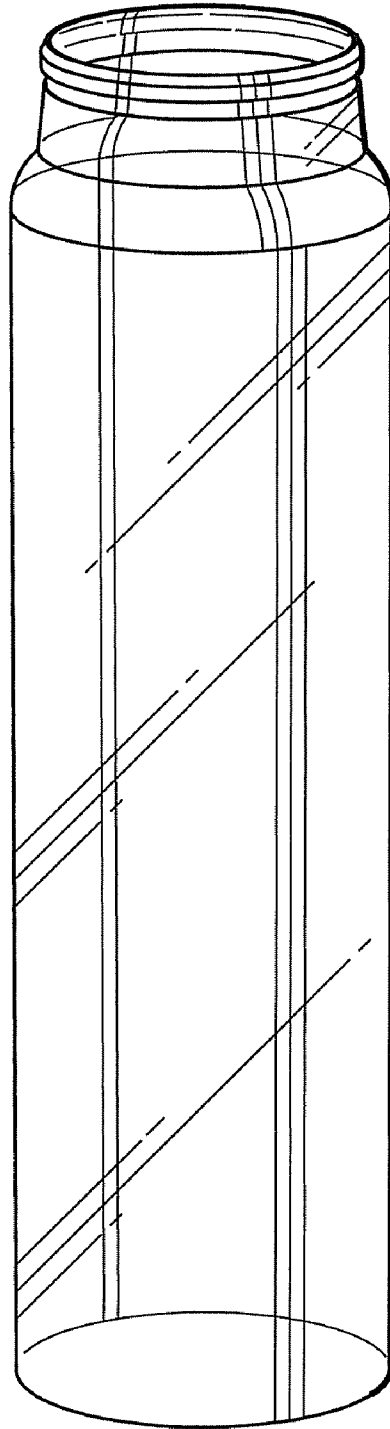


FIG. 14