



US00D608272S

(12) **United States Design Patent**
Osaka

(10) **Patent No.:** **US D608,272 S**

(45) **Date of Patent:** **** *Jan. 19, 2010**

(54) **TIRE**

(75) Inventor: **Kazuko Osaka**, Osaka (JP)

(73) Assignee: **Toyo Tire & Rubber Co., Ltd.**, Osaka (JP)

(**) Term: **14 Years**

(21) Appl. No.: **29/334,691**

(22) Filed: **Mar. 31, 2009**

(30) **Foreign Application Priority Data**

Feb. 9, 2009 (JP) 2009-002606

(51) **LOC (9) Cl.** **12-15**

(52) **U.S. Cl.** **D12/579; D12/596**

(58) **Field of Classification Search** D12/512,
D12/544, 579, 568, 586-603, 900-901; 152/209.1-2,
152/209.8-209.18, 209.25-209.28

See application file for complete search history.

(56) **References Cited**

U.S. PATENT DOCUMENTS

D337,978 S *	8/1993	Himuro et al.	D12/579
D414,727 S *	10/1999	Brown et al.	D12/579
D430,832 S *	9/2000	Edwards	D12/579
D444,426 S *	7/2001	Marazzi et al.	D12/579
D447,447 S *	9/2001	Guspodin et al.	D12/579
D450,273 S *	11/2001	Guspodin et al.	D12/579
D453,311 S *	2/2002	Guspodin et al.	D12/579
D455,117 S *	4/2002	Guspodin et al.	D12/579
D457,486 S *	5/2002	Guspodin et al.	D12/579
D487,056 S *	2/2004	Rooney et al.	D12/579
D530,265 S	10/2006	Hutz et al.	
D530,266 S	10/2006	Hutz et al.	
D548,172 S *	8/2007	Dixon et al.	D12/579
D556,124 S *	11/2007	Thum et al.	D12/579
D556,673 S *	12/2007	Missik-Gaffney et al. ..	D12/579
D556,674 S *	12/2007	Missik-Gaffney et al. ..	D12/579
D567,750 S *	4/2008	Dixon	D12/579

D578,957 S *	10/2008	Bonko et al.	D12/579
D580,347 S *	11/2008	Lo	D12/579
D593,485 S *	6/2009	Davidson et al.	D12/579

OTHER PUBLICATIONS

U.S. Appl. No. 29/334,695, Osaka, Tire, filed Mar. 31, 2009.
U.S. Appl. No. 29/334,698, Osaka, Tire, filed Mar. 31, 2009.
U.S. Appl. No. 29/334,700, Osaka, Tire, filed Mar. 31, 2009.

* cited by examiner

Primary Examiner—Stacia Cadmus

(74) *Attorney, Agent, or Firm*—Sterne, Kessler, Goldstein & Fox P.L.L.C.

(57) **CLAIM**

The ornamental design for a tire, as shown and described.

DESCRIPTION

FIG. 1 is a perspective view of a tire showing my new design;

FIG. 2 is a front view thereof;

FIG. 3 is a rear view thereof;

FIG. 4 is a right side view thereof;

FIG. 5 is a left side view thereof;

FIG. 6 is a top plan view thereof, for which the bottom plan view is a mirror image;

FIG. 7 is an enlarged sectional view of the intersection of areas 7—7 in FIG. 1 and 7'—7' in FIG. 4;

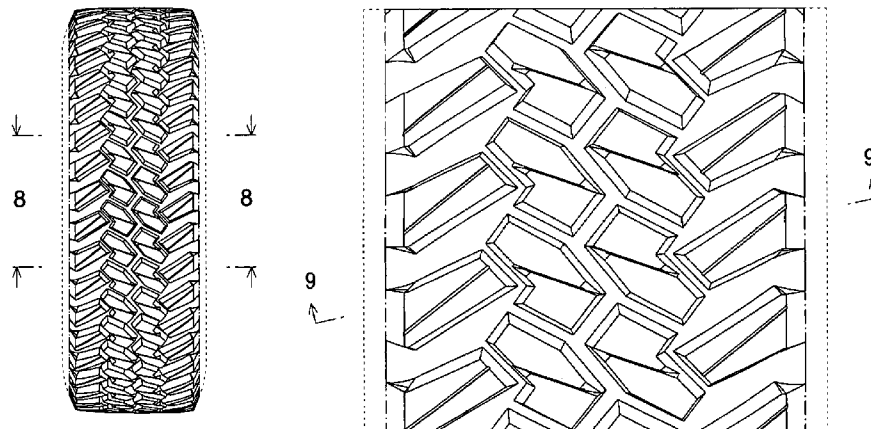
FIG. 8 is an enlarged sectional view taken along line 8—8 in FIG. 2; and,

FIG. 9 is an enlarged cross-sectional view taken along line 7'—7' in FIG. 4 and line 9—9 in FIG. 8.

The broken lines in the Figures are for illustrative purposes only and form no part of the claimed design.

The dot dash broken lines defining the edge of the shoulder of the tire tread are understood to represent the boundary of the claimed design.

1 Claim, 5 Drawing Sheets



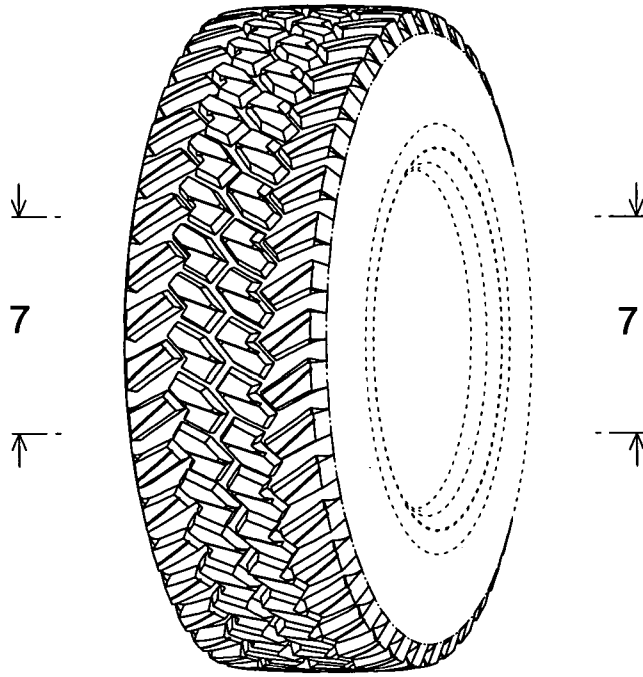


FIGURE 1

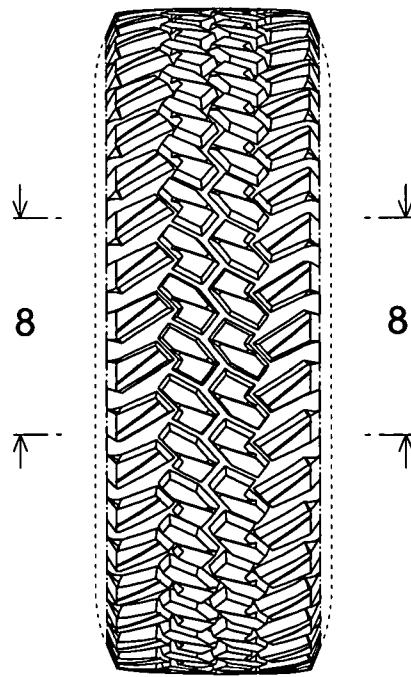


FIGURE 2

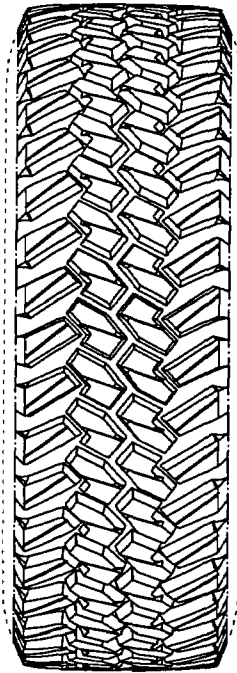


FIGURE 3

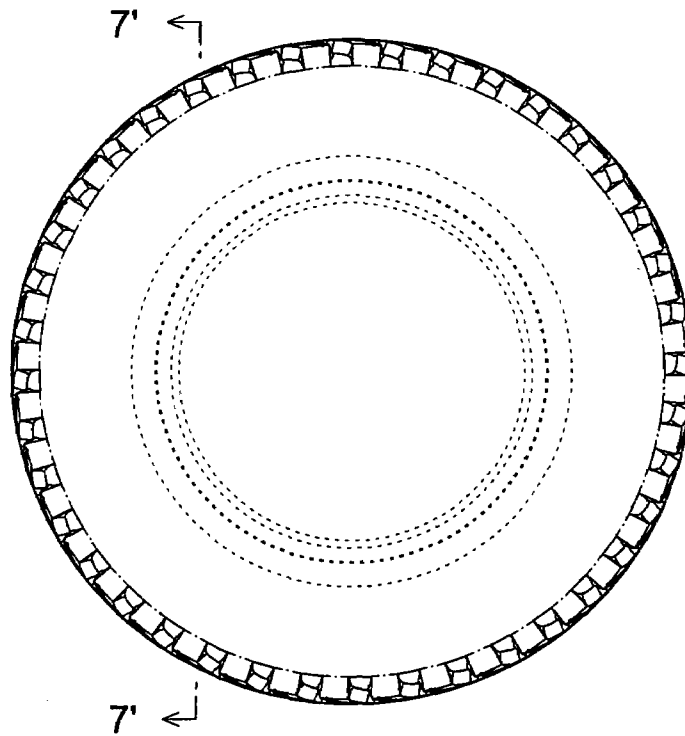


FIGURE 4

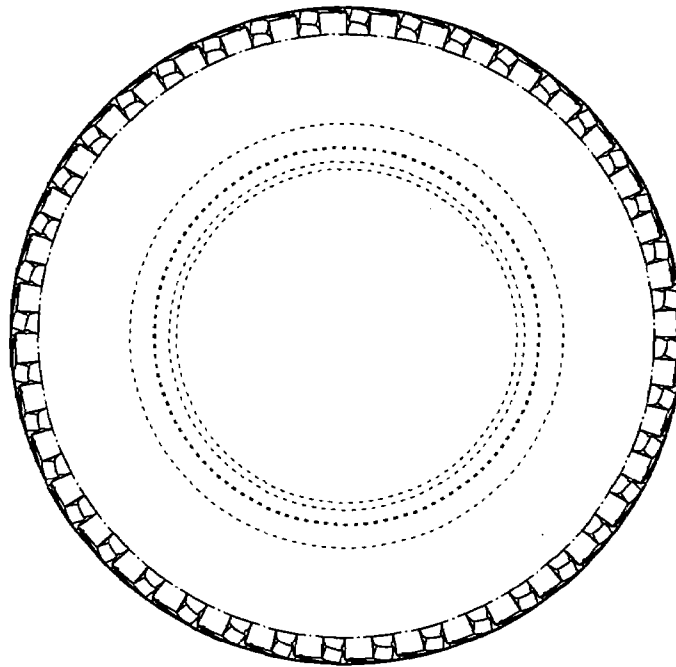


FIGURE 5

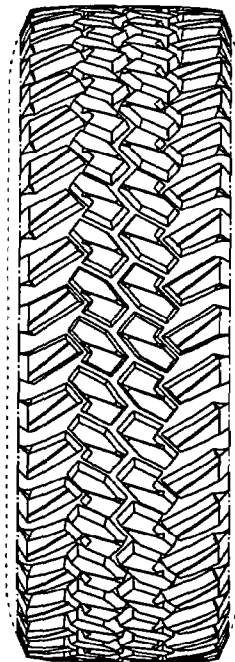


FIGURE 6

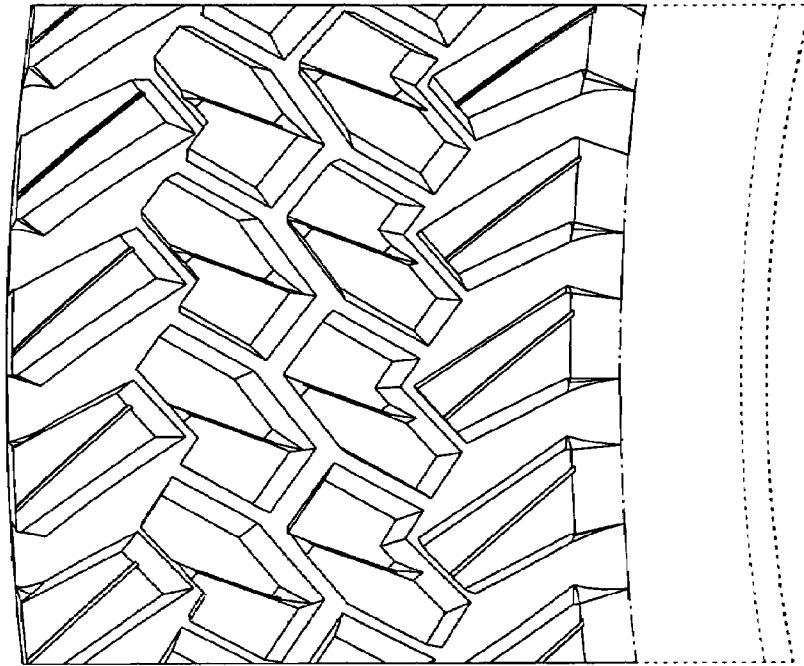


FIGURE 7

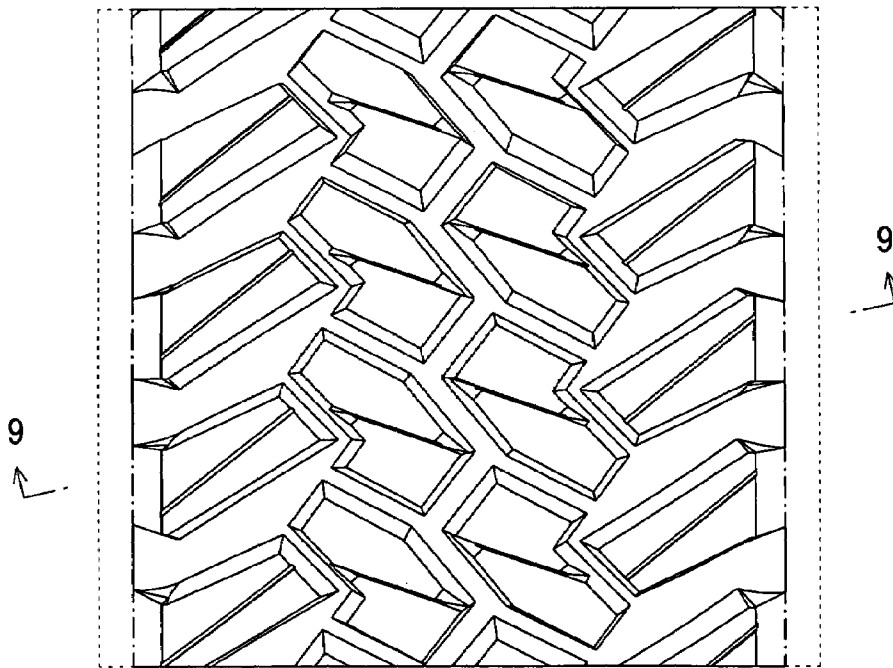


FIGURE 8

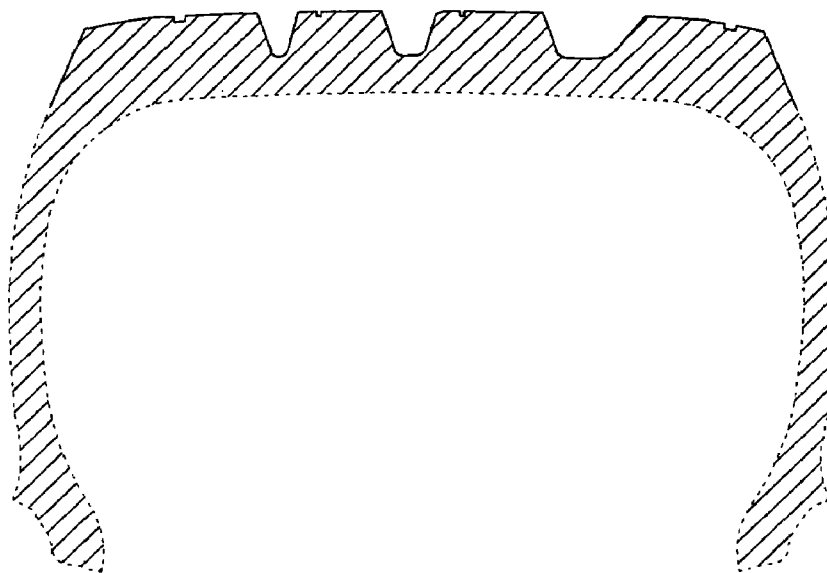


FIGURE 9

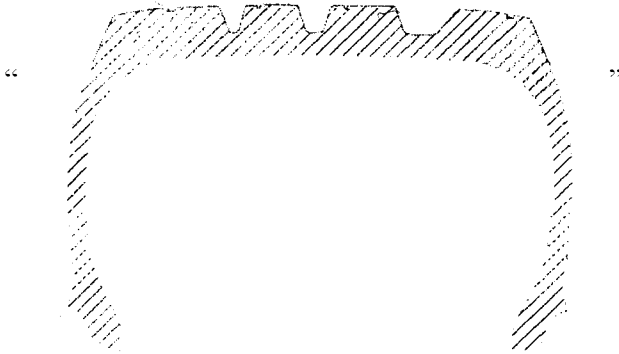
UNITED STATES PATENT AND TRADEMARK OFFICE
CERTIFICATE OF CORRECTION

PATENT NO. : Des. 608,272 S
APPLICATION NO. : 29/334691
DATED : January 19, 2010
INVENTOR(S) : Kazuko Osaka

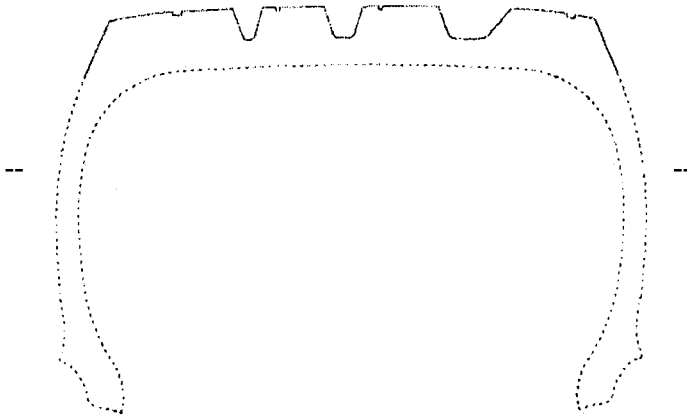
Page 1 of 1

It is certified that error appears in the above-identified patent and that said Letters Patent is hereby corrected as shown below:

On Sheet 5 of 5, please delete Figure 9,



and insert therein Figure 9,



Signed and Sealed this

Tenth Day of August, 2010

A handwritten signature in black ink that reads "David J. Kappos".

David J. Kappos
Director of the United States Patent and Trademark Office