



US00D527327S

(12) **United States Design Patent**  
**Laengerer**

(10) **Patent No.:** **US D527,327 S**

(45) **Date of Patent:** **\*\* Aug. 29, 2006**

(54) **FRONT FACE OF A VEHICLE WHEEL**

(75) Inventor: **Marcus Laengerer**, Renningen (DE)

(73) Assignee: **DaimlerChrysler**, Stuttgart (DE)

(\*\*) Term: **14 Years**

(21) Appl. No.: **29/197,307**

(22) Filed: **Jan. 14, 2004**

(30) **Foreign Application Priority Data**

Jul. 15, 2003 (DE) ..... 4 03 04 750

(51) **LOC (8) Cl.** ..... **12-16**

(52) **U.S. Cl.** ..... **D12/211**

(58) **Field of Classification Search** ..... D12/204-213;  
301/37.101, 64.101, 65

See application file for complete search history.

(56) **References Cited**

U.S. PATENT DOCUMENTS

- D395,270 S \* 6/1998 Baumgartner et al. .... D12/211
- D398,898 S \* 9/1998 Baumgartner et al. .... D12/211
- D399,474 S \* 10/1998 Stacy ..... D12/211

- D405,409 S \* 2/1999 Baumgartner ..... D12/211
- D406,092 S \* 2/1999 Baumgartner ..... D12/211
- D410,426 S \* 6/1999 Frizzi ..... D12/211
- D419,948 S \* 2/2000 Cahyono ..... D12/211
- D430,526 S \* 9/2000 Fitzgerald ..... D12/211
- D461,441 S \* 8/2002 Hartanto ..... D12/211
- D477,262 S \* 7/2003 Koch ..... D12/209
- D502,677 S \* 3/2005 Baum ..... D12/209

\* cited by examiner

*Primary Examiner*—Stacia Cadmus

(74) *Attorney, Agent, or Firm*—Crowell & Moring LLP

(57) **CLAIM**

The ornamental design for a front face of a vehicle wheel, as shown and described.

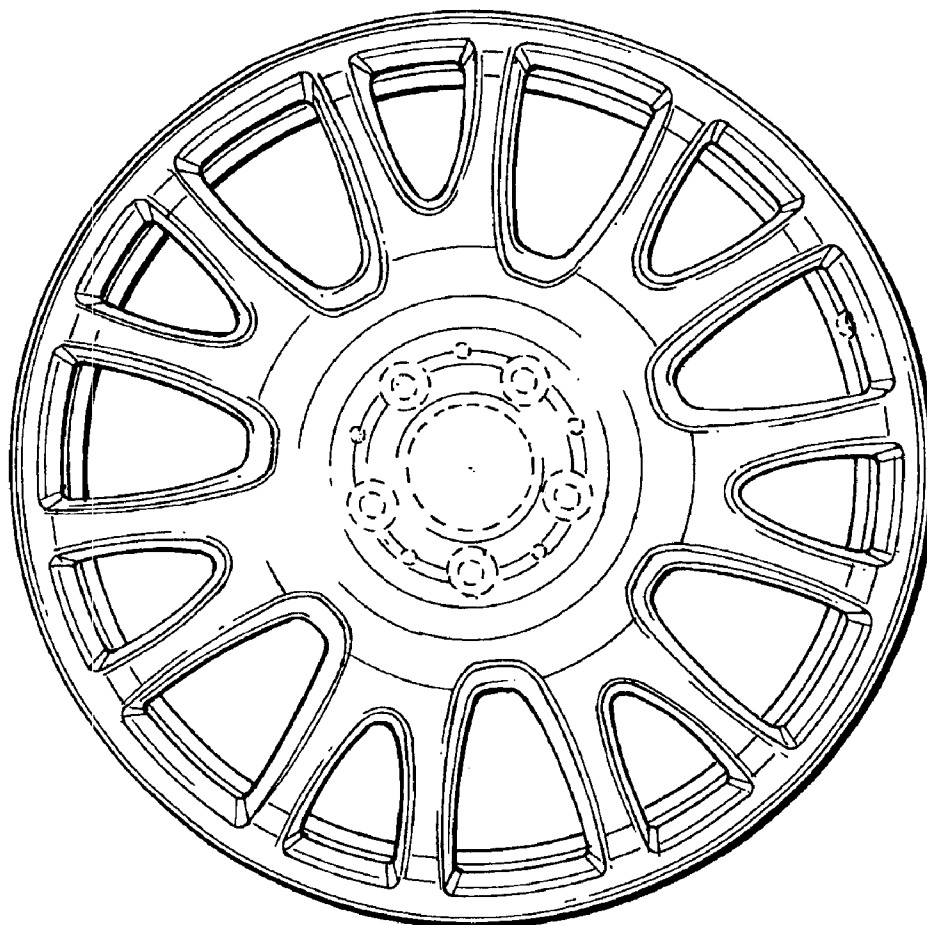
**DESCRIPTION**

FIG. 1 is a front view of a front face of a vehicle wheel according to my novel design; and,

FIG. 2 is a perspective view of the front face of a vehicle wheel according to my novel design.

The broken lines are for illustrative purposes only and form no part of the claimed design.

**1 Claim, 1 Drawing Sheet**



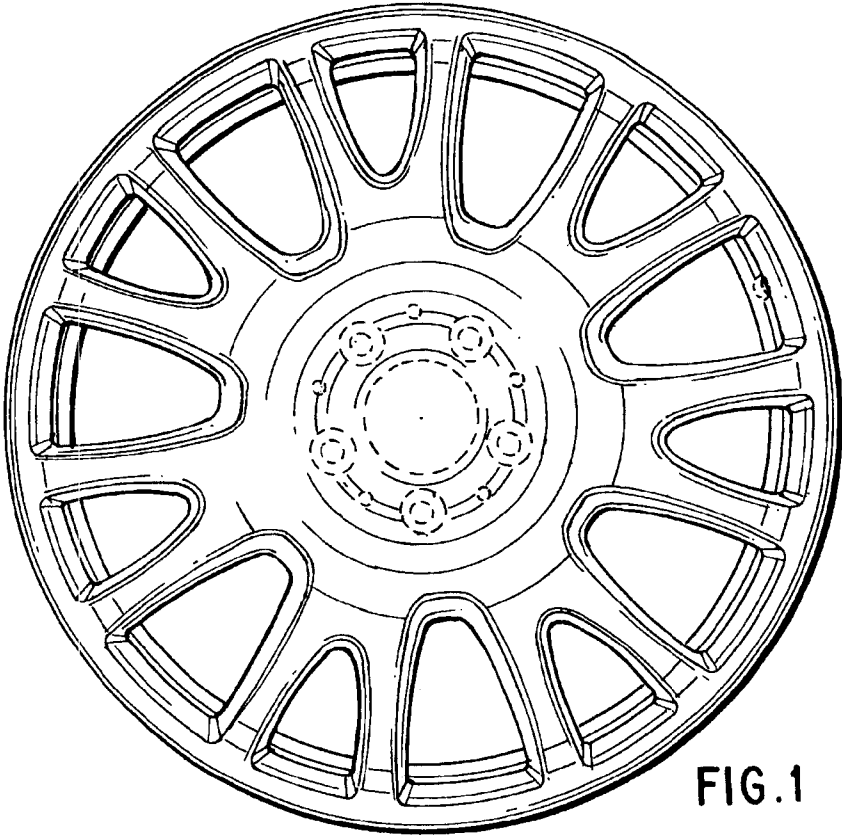


FIG. 1

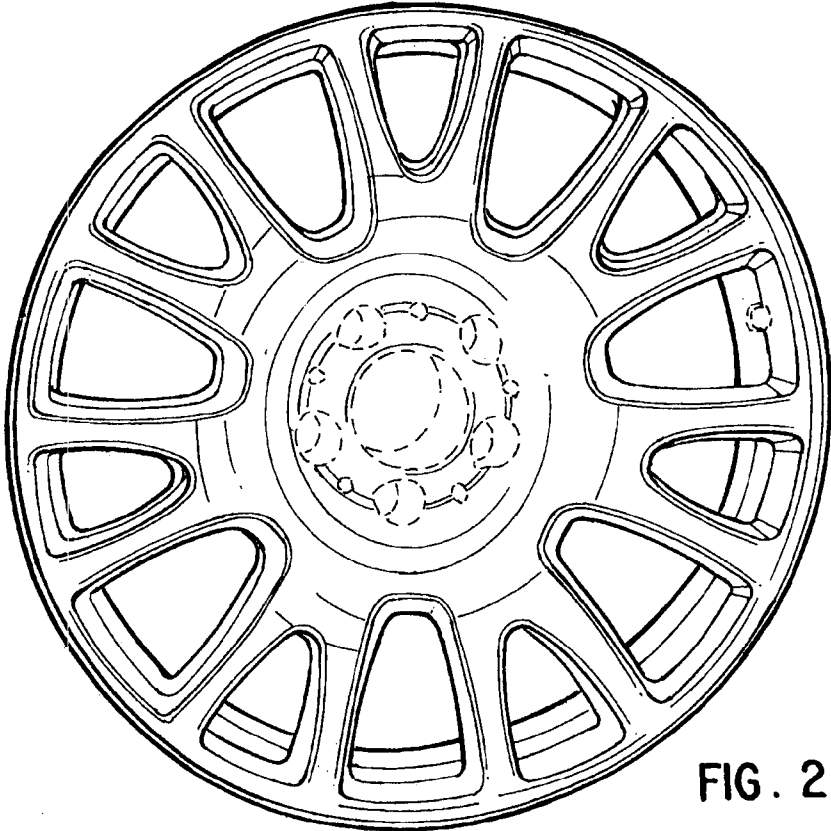


FIG. 2