



(51) International Patent Classification:
C02F 1/18 (2006.01) *B01D 1/28* (2006.01)
B01D 1/00 (2006.01) *B01D 5/00* (2006.01)
B01D 1/02 (2006.01)

(71) Applicant (for all designated States except US): **DEKA PRODUCTS LIMITED PARTNERSHIP** [US/US]; 340 Commercial Street, Manchester, NH 03101-1129 (US).

(21) International Application Number:
PCT/US2009/053898

(72) Inventors; and
(75) Inventors/Applicants (for US only): **KAMEN, Dean** [US/US]; 15 Westwind Drive, Bedford, NH 03110 (US).

(22) International Filing Date:
14 August 2009 (14.08.2009)

LANGENFELD, Christopher, C. [US/US]; 35 Cathedral Circle, Nashua, NH 03063 (US).

(25) Filing Language: English

LAROCQUE, Ryan, K. [US/US]; 49 Bancroft Street, Pepperell, MA 01463 (US).

(26) Publication Language: English

SCHNELLINGER, Andrew, A. [US/US]; 167 Amherst Road, Merrimack, NH 03054 (US).

(30) Priority Data:
61/089,295 15 August 2008 (15.08.2008) US
12/541,625 14 August 2009 (14.08.2009) US

BHAT, Prashant [IN/US]; 197 Streamside Drive, Manchester, NH 03102 (US). **SMITH, Stanley, B.** [US/US]; 78 Main Street, Raymond, NH 03077 (US). **CLAPP, Otis, L.** [US/US]; 66 Nottingham Square Road, Epping, NH 03042

[Continued on next page]

(54) Title: WATER VENDING APPARATUS WITH DISTILLATION UNIT



WO 2010/019891 A3

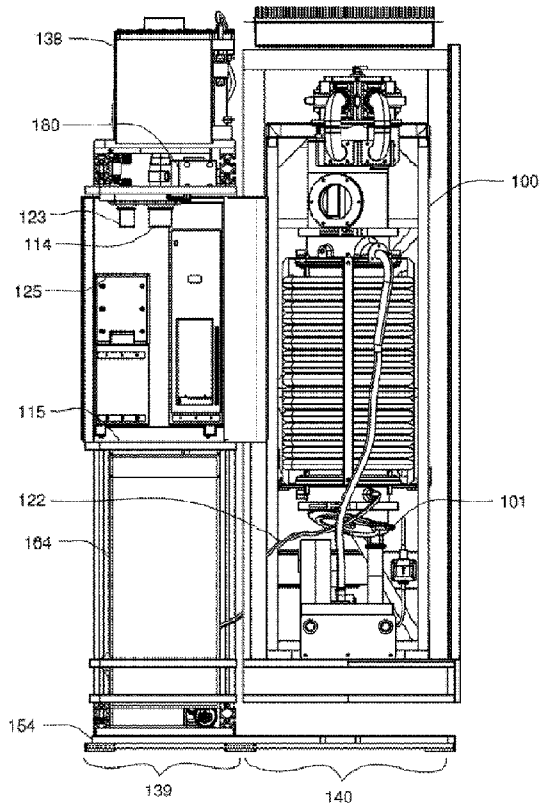


FIG. 1

(57) Abstract: A water vending apparatus is disclosed. The water vending system includes a water vapor distillation apparatus and a dispensing device. The dispensing device is in fluid communication with the fluid vapor distillation apparatus and the product water from the fluid vapor distillation apparatus is dispensed by the dispensing device.



(US). SWERDLOW, Jeremy, M. [US/US]; 9611 Savannah Crossing Court, Vienna, VA 22182 (US).

(74) **Agent:** TEMPLE, Michelle, Saquet; Deka Research & Development Corp., 340 Commercial Street, Manchester, NH 03101-1129 (US).

(81) **Designated States** (unless otherwise indicated, for every kind of national protection available): AE, AG, AL, AM, AO, AT, AU, AZ, BA, BB, BG, BH, BR, BW, BY, BZ, CA, CH, CL, CN, CO, CR, CU, CZ, DE, DK, DM, DO, DZ, EC, EE, EG, ES, FI, GB, GD, GE, GH, GM, GT, HN, HR, HU, ID, IL, IN, IS, JP, KE, KG, KM, KN, KP, KR, KZ, LA, LC, LK, LR, LS, LT, LU, LY, MA, MD, ME, MG, MK, MN, MW, MX, MY, MZ, NA, NG, NI, NO, NZ, OM, PE, PG, PH, PL, PT, RO, RS, RU, SC, SD, SE, SG, SK, SL, SM, ST, SV, SY, TJ, TM, TN, TR, TT, TZ, UA, UG, US, UZ, VC, VN, ZA, ZM, ZW.

(84) **Designated States** (unless otherwise indicated, for every kind of regional protection available): ARIPO (BW, GH,

GM, KE, LS, MW, MZ, NA, SD, SL, SZ, TZ, UG, ZM, ZW), Eurasian (AM, AZ, BY, KG, KZ, MD, RU, TJ, TM), European (AT, BE, BG, CH, CY, CZ, DE, DK, EE, ES, FI, FR, GB, GR, HR, HU, IE, IS, IT, LT, LU, LV, MC, MK, MT, NL, NO, PL, PT, RO, SE, SI, SK, SM, TR), OAPI (BF, BJ, CF, CG, CI, CM, GA, GN, GQ, GW, ML, MR, NE, SN, TD, TG).

Declarations under Rule 4.17:

— of inventorship (Rule 4.17(iv))

Published:

— with international search report (Art. 21(3))

— before the expiration of the time limit for amending the claims and to be republished in the event of receipt of amendments (Rule 48.2(h))

(88) **Date of publication of the international search report:**

24 June 2010

INTERNATIONAL SEARCH REPORT

International application No

PCT/US2009/053898

A. CLASSIFICATION OF SUBJECT MATTER				
INV. C02F1/18	B01D1/00	B01D1/02	B01D1/28	B01D5/00
ADD.				
According to International Patent Classification (IPC) or to both national classification and IPC				
B. FIELDS SEARCHED				
Minimum documentation searched (classification system followed by classification symbols)				
C02F B01D				
Documentation searched other than minimum documentation to the extent that such documents are included in the fields searched				
Electronic data base consulted during the international search (name of data base and, where practical, search terms used)				
EPO-Internal				
C. DOCUMENTS CONSIDERED TO BE RELEVANT				
Category*	Citation of document, with indication, where appropriate, of the relevant passages			Relevant to claim No.
X	GB 1 114 626 A (SAMUEL BYRON NORRIS) 22 May 1968 (1968-05-22) page 1, line 61 - line 80 page 2, line 96 - line 99 page 4, line 19 - line 27 page 7, line 103 - line 112 page 9, line 4 - line 11 page 9, line 23 - line 30 page 9, line 40 - line 48 page 9, line 51 - line 61 page 9, line 95 - line 100 page 9, line 103 - line 107 -----			1-17
A	US 3 687 817 A (JIMERSON BRUCE D ET AL) 29 August 1972 (1972-08-29) column 2, line 31 - line 41 column 3, line 42 - line 47 -----			1-17
<input type="checkbox"/> Further documents are listed in the continuation of Box C. <input checked="" type="checkbox"/> See patent family annex.				
* Special categories of cited documents :				
"A" document defining the general state of the art which is not considered to be of particular relevance		"T" later document published after the international filing date or priority date and not in conflict with the application but cited to understand the principle or theory underlying the invention		
"E" earlier document but published on or after the international filing date		"X" document of particular relevance; the claimed invention cannot be considered novel or cannot be considered to involve an inventive step when the document is taken alone		
"L" document which may throw doubts on priority claim(s) or which is cited to establish the publication date of another citation or other special reason (as specified)		"Y" document of particular relevance; the claimed invention cannot be considered to involve an inventive step when the document is combined with one or more other such documents, such combination being obvious to a person skilled in the art.		
"O" document referring to an oral disclosure, use, exhibition or other means		"&" document member of the same patent family		
"P" document published prior to the international filing date but later than the priority date claimed				
Date of the actual completion of the international search			Date of mailing of the international search report	
16 April 2010			23/04/2010	
Name and mailing address of the ISA/ European Patent Office, P.B. 5818 Patentlaan 2 NL - 2280 HV Rijswijk Tel. (+31-70) 340-2040, Fax: (+31-70) 340-3016			Authorized officer Lapeyrère, Jean	

INTERNATIONAL SEARCH REPORT

Information on patent family members

International application No

PCT/US2009/053898

Patent document cited in search report	Publication date	Patent family member(s)	Publication date
GB 1114626	A	22-05-1968	NONE
US 3687817	A	29-08-1972	NONE