



(12) **United States Design Patent**  
**Choi et al.**

(10) **Patent No.:** **US D895,570 S**  
(45) **Date of Patent:** **\*\* Sep. 8, 2020**

- (54) **AUDIO HEADSET**
- (71) Applicant: **Logitech Europe S.A.**, Lausanne (CH)
- (72) Inventors: **Gary Choi**, Hsinchu (TW); **Chun-Wei Su**, Hsinchu (TW); **Pinpach Piyatiratitivorakul**, Hsinchu (TW)
- (73) Assignee: **Logitech Europe S.A.**, Lausanne (CH)
- (\*\*) Term: **15 Years**
- (21) Appl. No.: **29/668,769**

- D712,871 S \* 9/2014 McNamara ..... D14/205
- D719,135 S \* 12/2014 Kelley ..... D14/205
- D750,041 S \* 2/2016 Birger ..... D14/205
- D763,226 S \* 8/2016 Petersen ..... D14/205
- D765,055 S \* 8/2016 Hsieh ..... D14/205
- D810,718 S \* 2/2018 Galler ..... D14/205

(Continued)

- (22) Filed: **Nov. 1, 2018**
- (51) **LOC (12) Cl.** ..... **14-01**
- (52) **U.S. Cl.**  
USPC ..... **D14/205**
- (58) **Field of Classification Search**  
USPC ..... D14/206, 205, 188, 192, 226; D29/112;  
2/209; 181/129, 130, 135; 379/430, 431;  
381/380, 381, 374; 455/90.3, 575, 569.1  
CPC .... H04R 1/1066; H04R 1/1016; H04R 5/033;  
H04R 5/0335; H04R 25/00; H04R  
1/1058; H04R 19/04  
See application file for complete search history.

**FOREIGN PATENT DOCUMENTS**

CN 302709786 \* 1/2014

*Primary Examiner* — Paula Allen Greene

(74) *Attorney, Agent, or Firm* — Kilpatrick Townsend & Stockton LLP

(56) **References Cited**

**U.S. PATENT DOCUMENTS**

- 6,560,346 B2 \* 5/2003 Ohta ..... H04R 1/083  
381/370
- D505,413 S \* 5/2005 Skulley ..... D14/223
- D518,479 S \* 4/2006 Skulley ..... D14/225
- D571,354 S \* 6/2008 Ng ..... D14/205
- D654,472 S \* 2/2012 Fischer ..... D14/206
- D663,717 S \* 7/2012 Hutchieson ..... D14/206
- D666,168 S \* 8/2012 Rath ..... D14/206
- D673,929 S \* 1/2013 Combs ..... D14/205
- D684,559 S \* 6/2013 Groset ..... D14/205
- D686,593 S \* 7/2013 Larsen ..... D14/205
- D687,808 S \* 8/2013 Combs ..... D14/205
- D691,579 S \* 10/2013 Lee ..... D14/205
- D695,263 S \* 12/2013 Mogili ..... D14/205

(57) **CLAIM**

The ornamental design for the audio headset, as shown and described.

**DESCRIPTION**

FIG. 1 is a top perspective view of the audio headset showing our new design with a boom microphone configured in a first position, wherein the dashed lines shown on the ear cups are surface features that are not part of the claimed design;

FIG. 2 is a bottom perspective view thereof;

FIG. 3 is a top plan view thereof;

FIG. 4 is a bottom plan view thereof;

FIG. 5 is a front elevation view thereof;

FIG. 6 is a rear elevation view thereof;

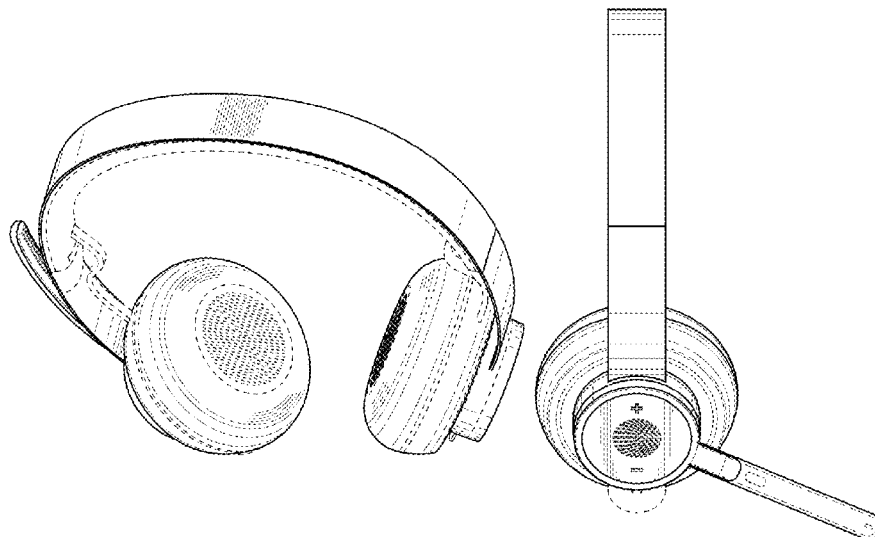
FIG. 7 is a left side elevation view thereof;

FIG. 8 is a right side elevation view thereof; and,

FIG. 9 is a left side elevation view with the boom microphone configured in a second position.

The broken lines immediately adjacent to the shaded areas represent the bounds of the claimed design while all other broken lines are directed to environment and are for illustrative purposes only; the broken lines form no part of the claimed design.

**1 Claim, 6 Drawing Sheets**



(56)

**References Cited**

U.S. PATENT DOCUMENTS

D811,362	S	*	2/2018	Petersen	.....	D14/205
D848,395	S	*	5/2019	Kelley	.....	D14/205
D851,627	S	*	6/2019	ter Laag	.....	D14/205
D856,303	S	*	8/2019	Ando	.....	D14/205
D864,898	S	*	10/2019	Chen	.....	D14/205
D866,509	S	*	11/2019	Lindof	.....	D14/206
D866,510	S	*	11/2019	Lindof	.....	D14/206
D866,513	S	*	11/2019	Lindof	.....	D14/206
D866,514	S	*	11/2019	Lindof	.....	D14/206
D870,069	S	*	12/2019	Hu	.....	D14/206
2014/0177884	A1	*	6/2014	Minarik	.....	H04R 1/1066 381/309

\* cited by examiner

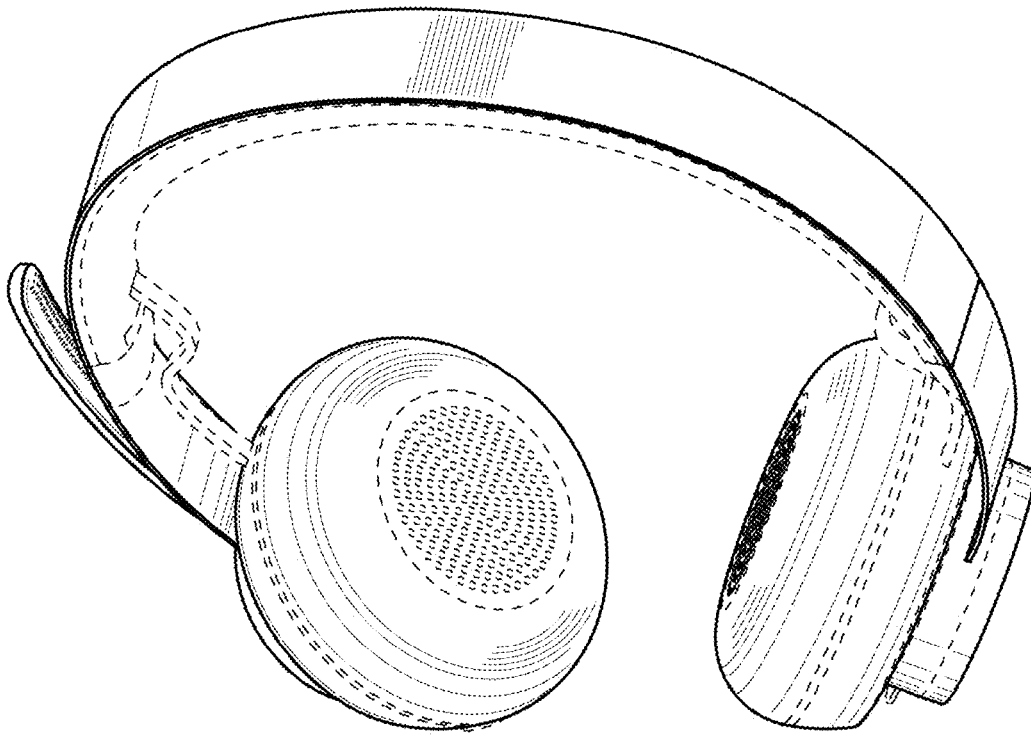


FIG. 1

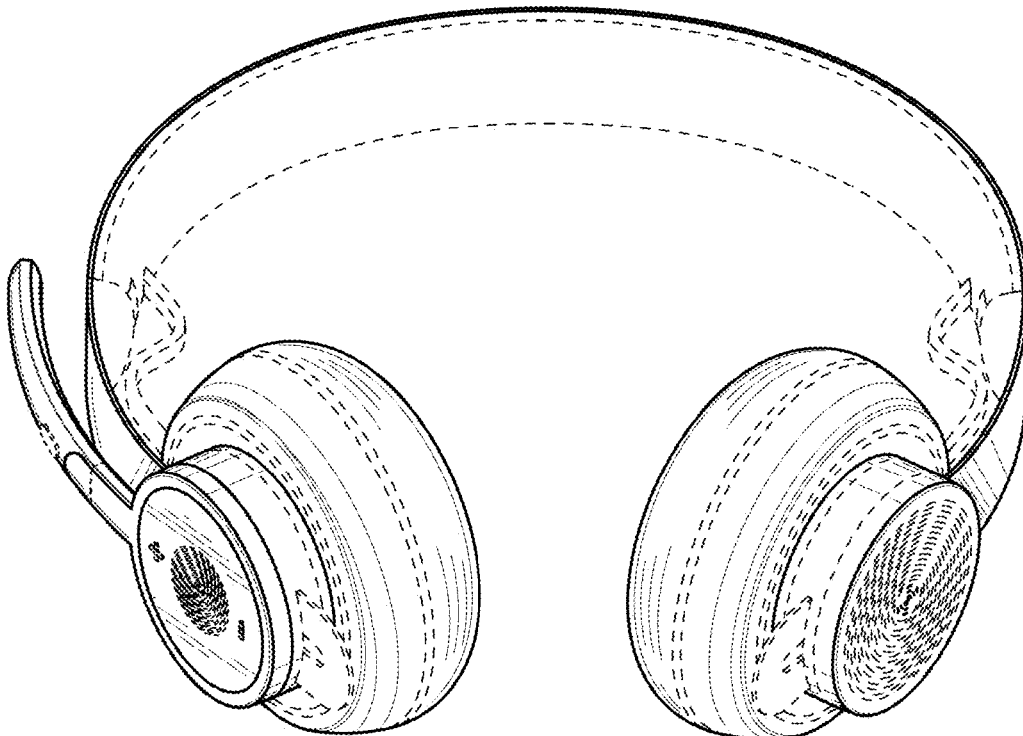


FIG. 2

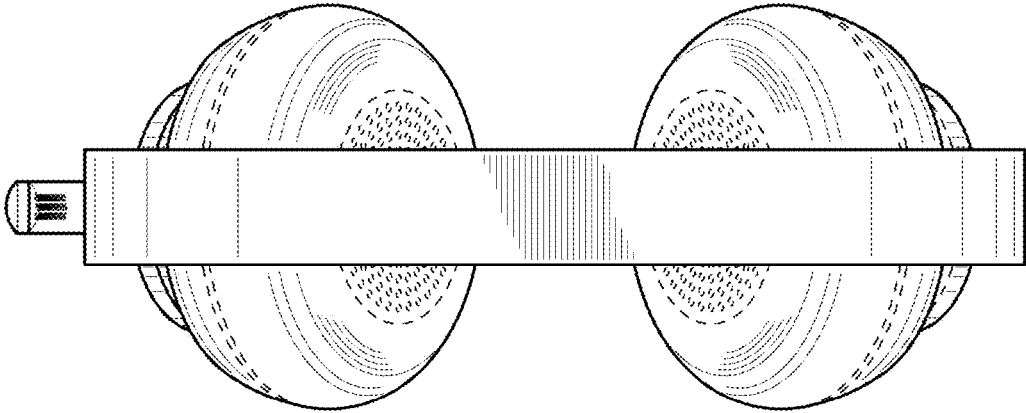


FIG. 3

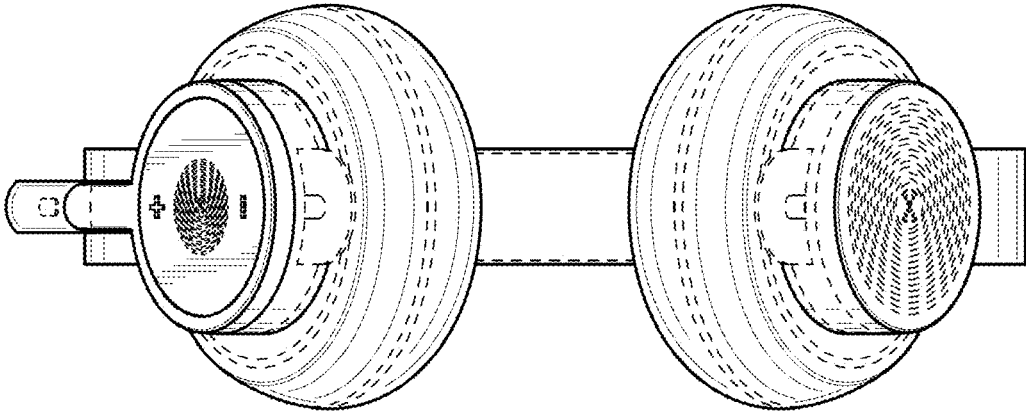


FIG. 4

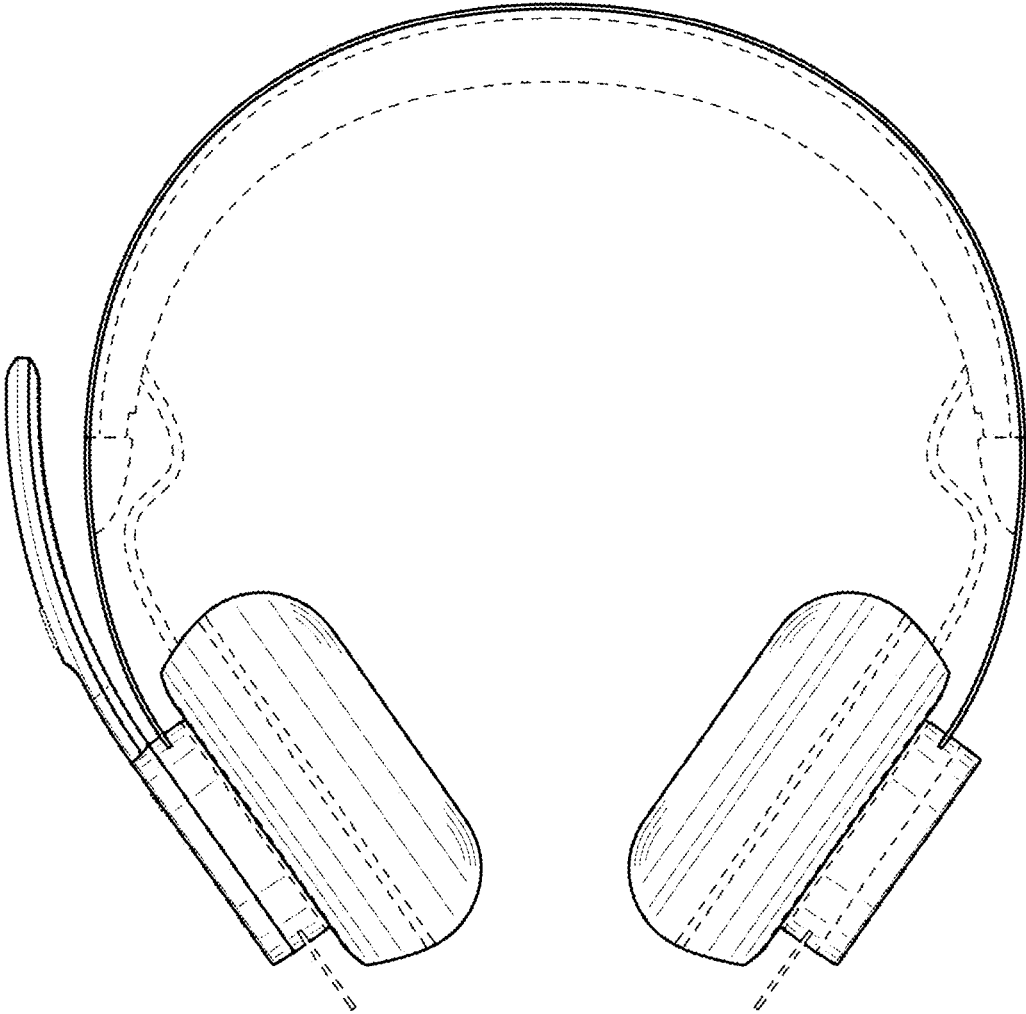


FIG. 5

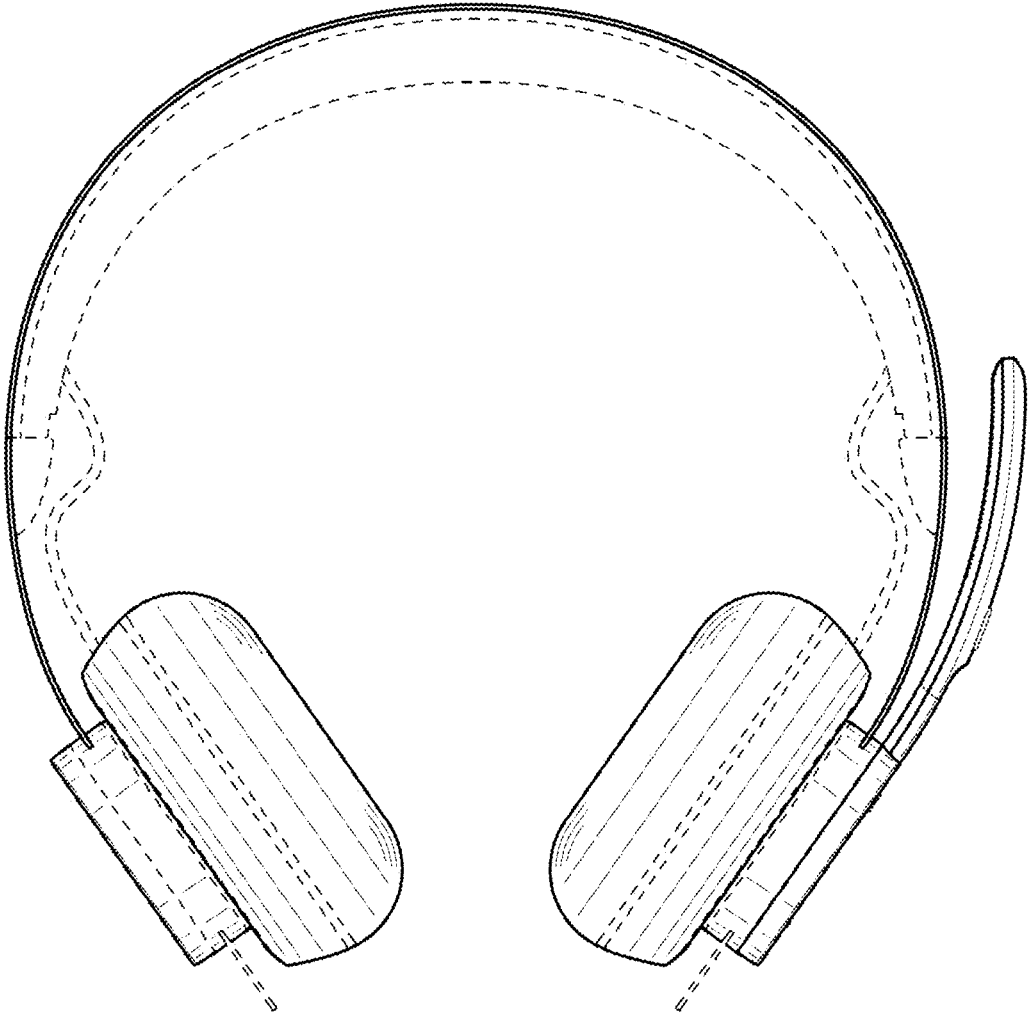


FIG. 6

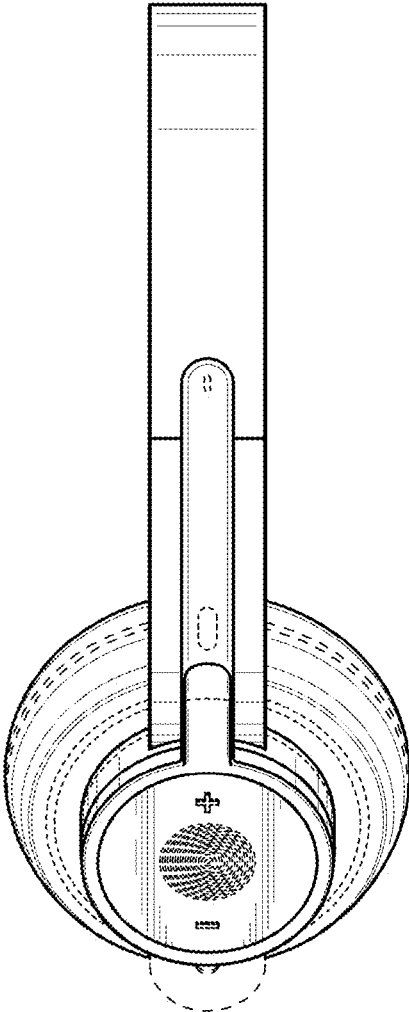


FIG. 7

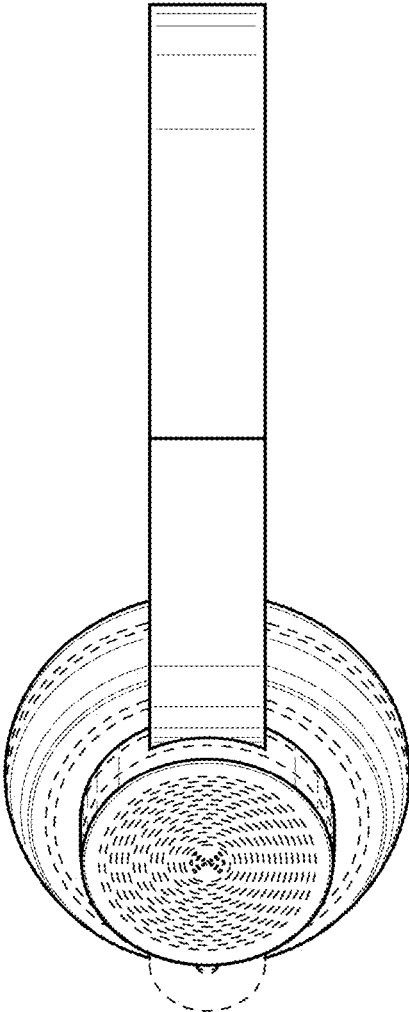


FIG. 8

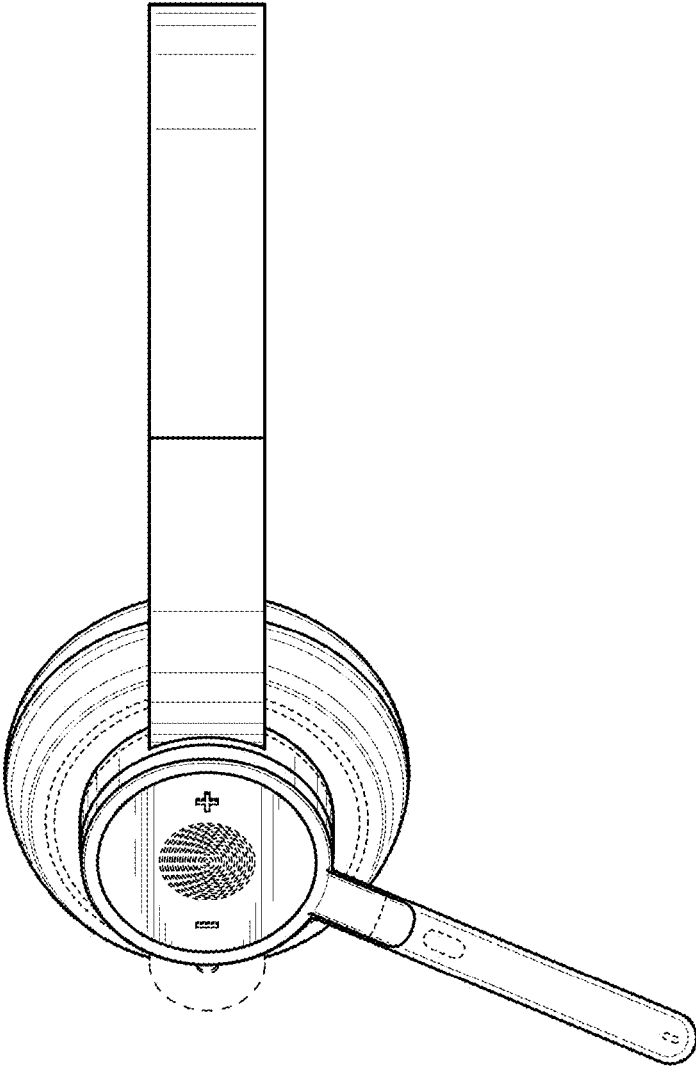


FIG. 9