



US00D407330S

# United States Patent [19]

[11] Patent Number: **Des. 407,330**

Ishizaka

[45] Date of Patent: **\*\*Mar. 30, 1999**

[54] WATCH CASE

|            |        |          |       |        |
|------------|--------|----------|-------|--------|
| D. 394,403 | 5/1998 | Hanagata | ..... | D10/38 |
| D. 394,404 | 5/1998 | Ishizaka | ..... | D10/38 |
| D. 395,011 | 6/1998 | Hanagata | ..... | D10/30 |
| D. 396,648 | 8/1998 | Moriai   | ..... | D10/30 |

[75] Inventor: **Shingo Ishizaka**, Akishima, Japan

[73] Assignee: **Casio Keisanki Kabushiki Kaisha**, Tokyo, Japan

*Primary Examiner*—Nelson C. Holtje  
*Attorney, Agent, or Firm*—Frishauf, Holtz, Goodman, Langer & Chick

[\*\*] Term: **14 Years**

[21] Appl. No.: **92,005**

### [57] CLAIM

[22] Filed: **Aug. 11, 1998**

The ornamental design for watch case, as shown and described.

[51] LOC (6) Cl. .... **10-02**

### DESCRIPTION

[52] U.S. Cl. .... **D10/30; D10/38**

FIG. 1 is a front elevational view of watch case, showing my new design;

[58] Field of Search ..... D10/1-40, 122-132;

FIG. 2 is a top plan view thereof;

368/280-282, 276, 277, 28-30, 285, 239-242, 82-84, 41-44

FIG. 3 is a bottom plan view thereof;

### [56] References Cited

FIG. 4 is a rear elevational view thereof;

#### U.S. PATENT DOCUMENTS

|            |         |          |       |        |
|------------|---------|----------|-------|--------|
| D. 387,677 | 12/1997 | Hanagata | ..... | D10/30 |
| D. 387,684 | 12/1997 | Hanagata | ..... | D10/38 |
| D. 394,393 | 5/1998  | Kojima   | ..... | D10/30 |
| D. 394,401 | 5/1998  | Moriai   | ..... | D10/30 |

FIG. 5 is a right side elevational view thereof, the opposite side being a mirror image thereof; and,

FIG. 6 is a front, bottom and right side perspective view thereof.

**1 Claim, 2 Drawing Sheets**

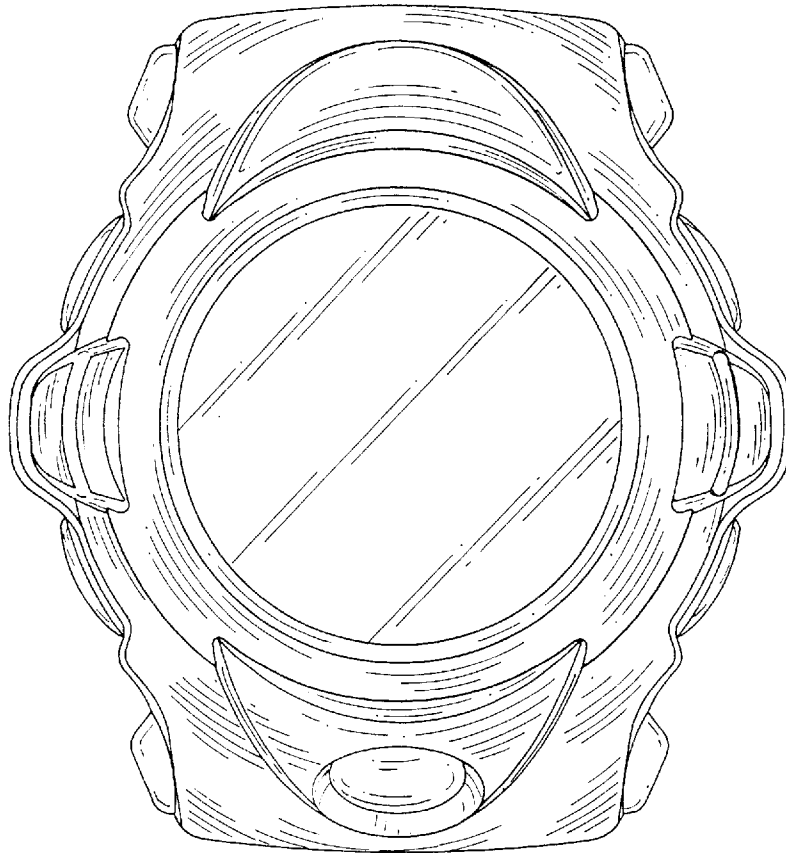


FIG.2

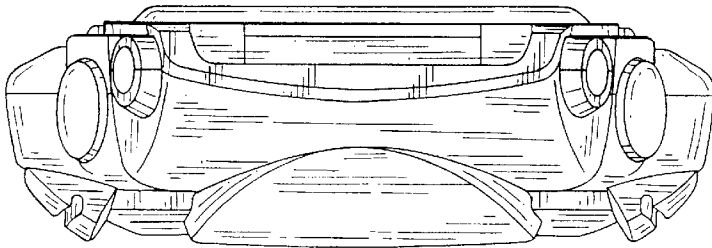


FIG.1

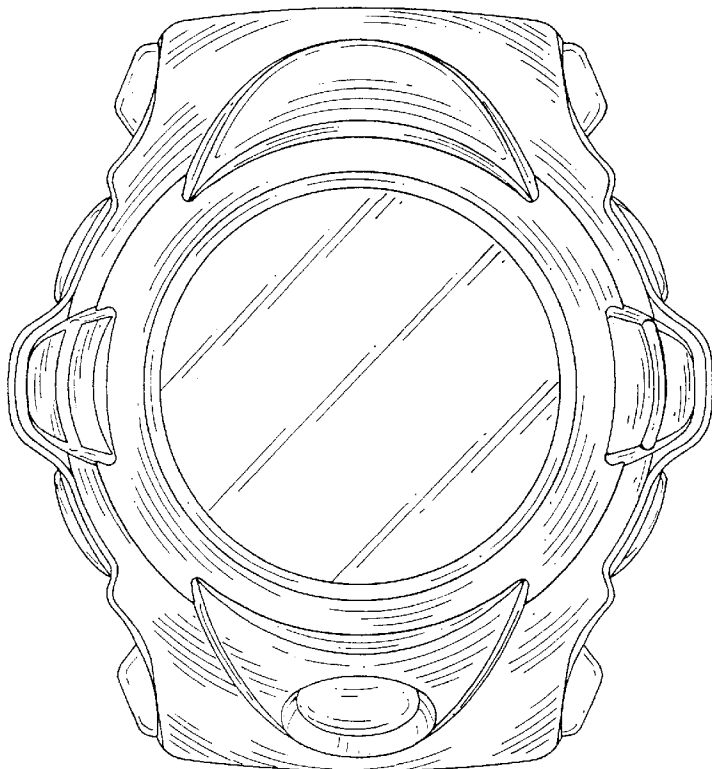


FIG.5

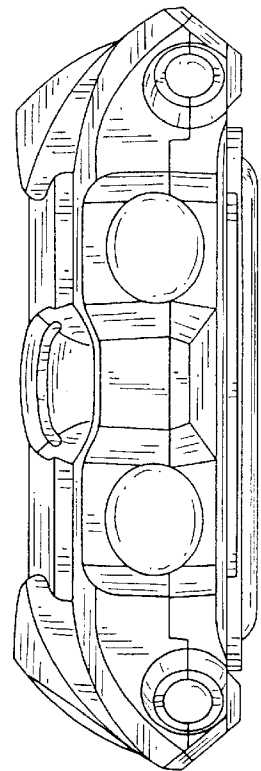


FIG.3

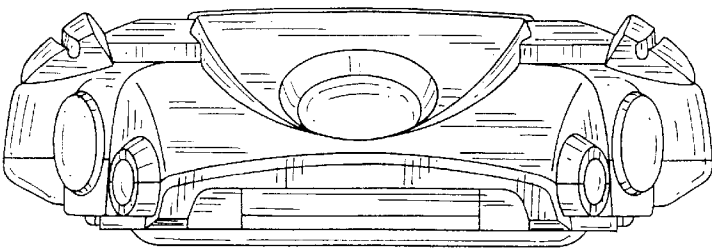


FIG.4

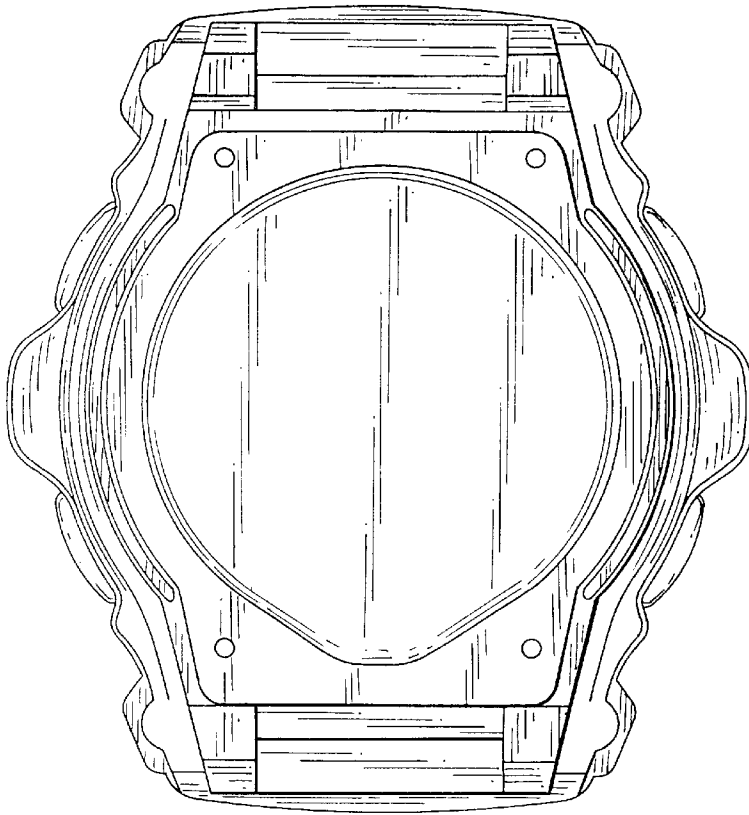


FIG.6

