



US00D744425S

(12) **United States Design Patent**  
**Takeda**

(10) **Patent No.:** **US D744,425 S**

(45) **Date of Patent:** **\*\* Dec. 1, 2015**

(54) **ELECTRIC CONNECTOR**

(71) Applicant: **SMK CORPORATION**, Tokyo (JP)

(72) Inventor: **Toshimitsu Takeda**, Toyama (JP)

(73) Assignee: **SMK Corporation**, Tokyo (JP)

(\*\*) Term: **14 Years**

(21) Appl. No.: **29/481,173**

(22) Filed: **Feb. 3, 2014**

(30) **Foreign Application Priority Data**

Aug. 6, 2013 (JP) ..... 2013-019233

Aug. 6, 2013 (JP) ..... 2013-019234

(51) **LOC (10) Cl.** ..... **13-03**

(52) **U.S. Cl.**

USPC ..... **D13/146**

(58) **Field of Classification Search**

USPC ..... D13/133, 147, 154, 184, 199

See application file for complete search history.

(56) **References Cited**

U.S. PATENT DOCUMENTS

D221,081 S *	7/1971	Kahn	.....	D13/110
D260,877 S *	9/1981	Scott et al.	.....	D13/110
D688,636 S *	8/2013	Oishi et al.	.....	D13/171
D714,218 S *	9/2014	Hannes	.....	D13/133
2012/0156920 A1 *	6/2012	Sakai et al.	.....	439/387
2014/0179139 A1 *	6/2014	Tanaka et al.	.....	439/226

\* cited by examiner

*Primary Examiner* — Daniel Bui

(74) *Attorney, Agent, or Firm* — Sughrue Mion, PLLC

(57) **CLAIM**

The ornamental design for an electric connector, as shown and described.

**DESCRIPTION**

FIG. 1 is a perspective view of the front, bottom and right side of an electric connector according to my new design;  
 FIG. 2 is a perspective view of the rear, bottom and right side thereof;  
 FIG. 3 is a front view thereof;  
 FIG. 4 is a rear view thereof;  
 FIG. 5 is a left side view thereof;  
 FIG. 6 is a right side view thereof;  
 FIG. 7 is a top plan view thereof; and,  
 FIG. 8 is a bottom view thereof.

**1 Claim, 6 Drawing Sheets**

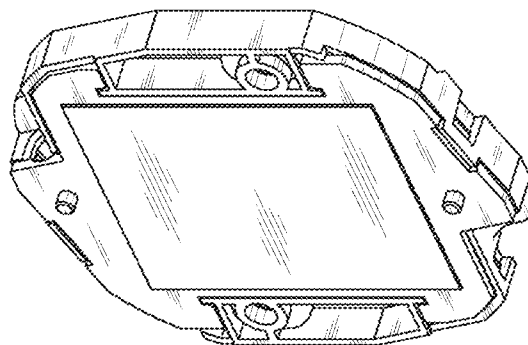
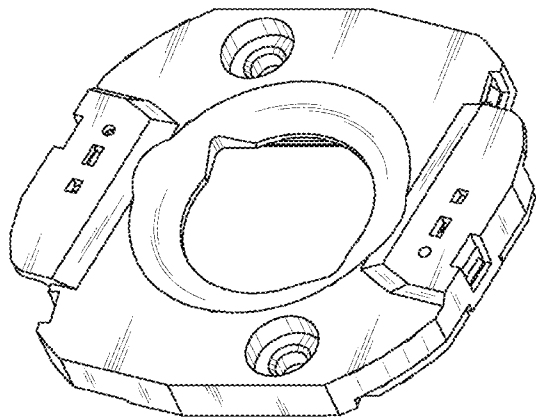


Fig. 1

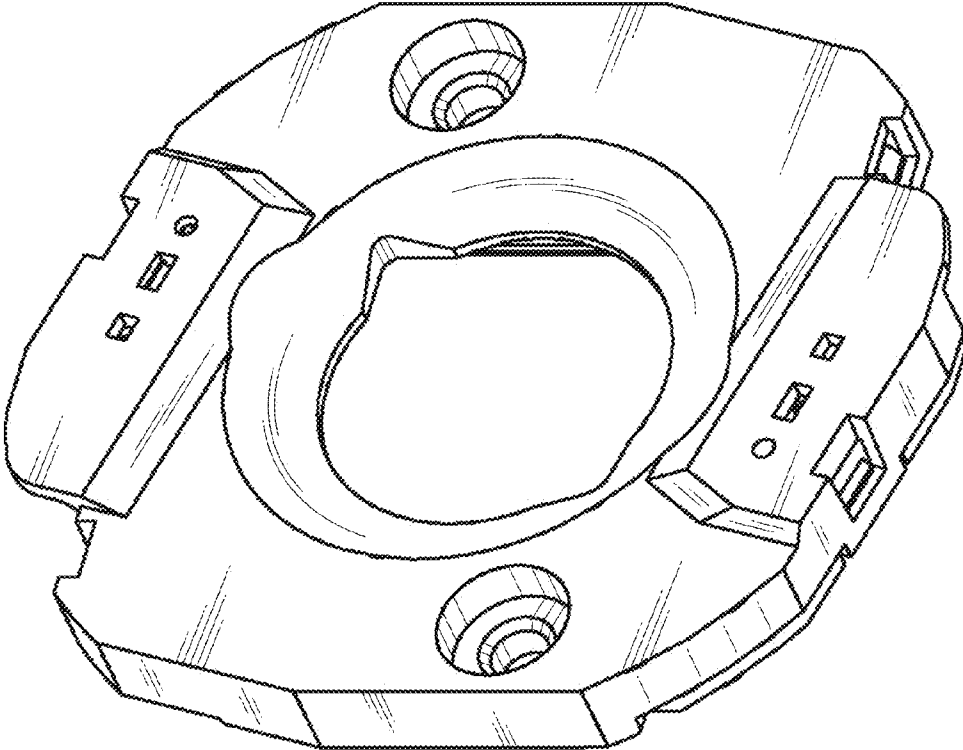


Fig. 2

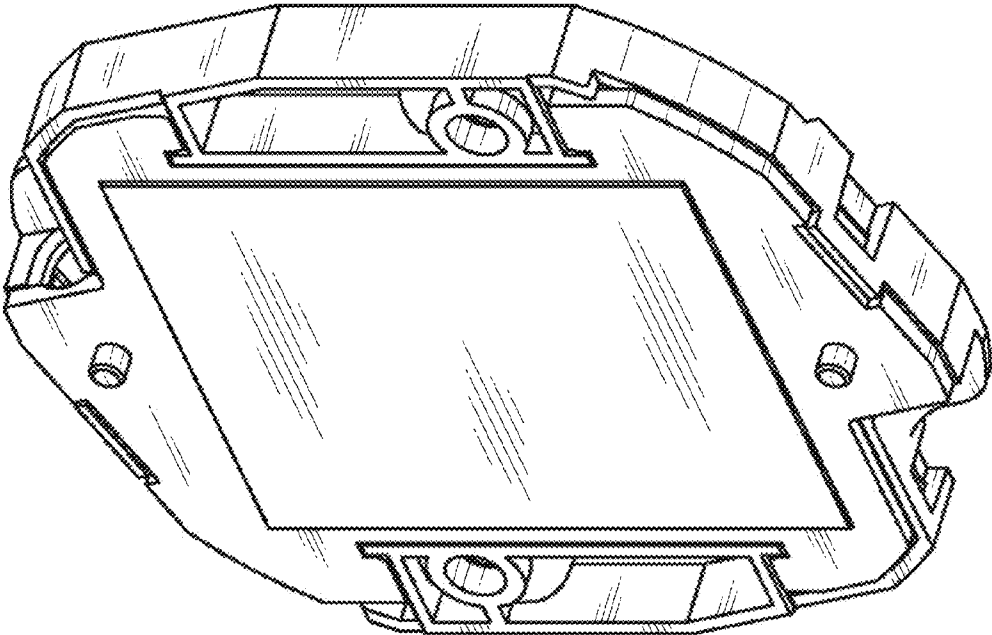


Fig. 3

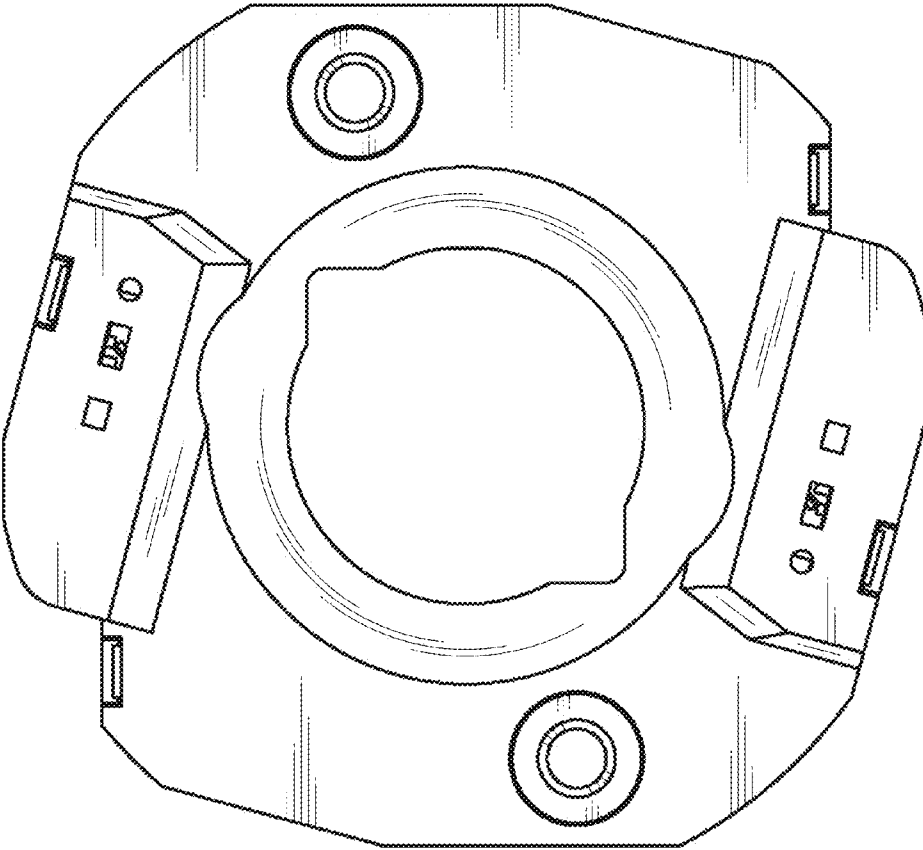


Fig. 4

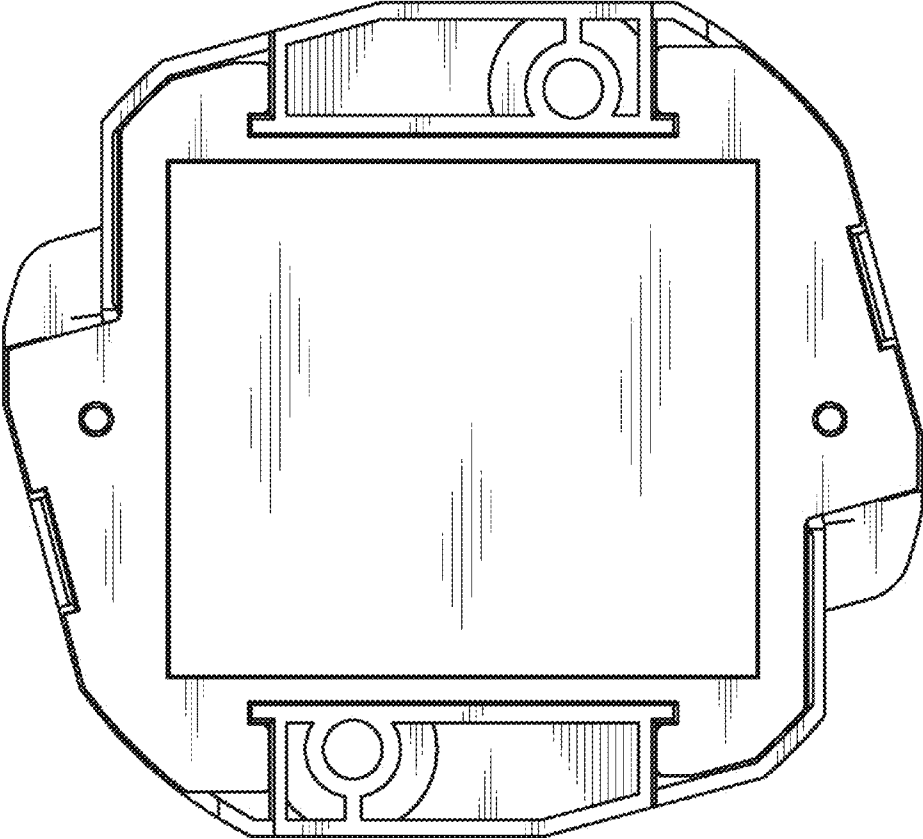


Fig. 5

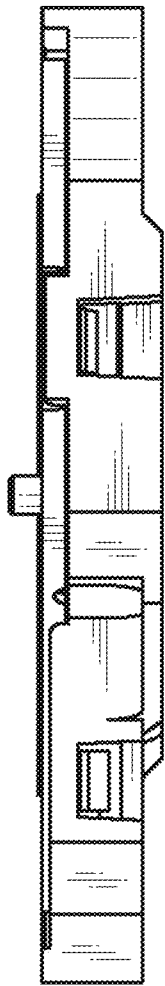


Fig. 6

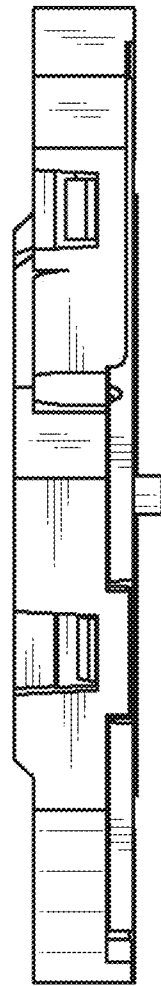


Fig. 7

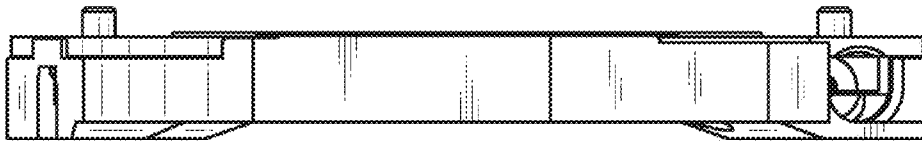


Fig. 8

