



US00D429778S

United States Patent [19]

[11] Patent Number: **Des. 429,778**

D'Andrade et al.

[45] Date of Patent: **** Aug. 22, 2000**

[54] **WATER GUN**

D. 348,912	7/1994	Caminos et al.	D21/572
D. 385,586	10/1997	Hanatani et al.	D14/117.8
5,261,384	11/1993	Hu	446/473
5,799,827	9/1998	D'Andrade	222/79
5,826,750	10/1998	Johnson	222/79

[75] Inventors: **Bruce M. D'Andrade, deceased**, late of Whitehouse Station, N.J.; **Mary Ann D'Andrade, executrix**, Whitehouse Stateion, N.J.; **Jose Longoria**, Miami, Fla.

Primary Examiner—Raphael Barkai
Attorney, Agent, or Firm—Akin, Gump, Strauss, Hauer & Feld, L.L.P.

[73] Assignee: **Bruce M. D'Andrade**, Whitehouse, N.J.

[57] CLAIM

[**] Term: **14 Years**

The ornamental design for the water gun, as shown and described.

[21] Appl. No.: **29/090,015**

DESCRIPTION

[22] Filed: **Jun. 29, 1998**

[51] **LOC (7) Cl.** **21-01**

FIG. 1 is a left side elevational view of a water gun in accordance with our new design;

[52] **U.S. Cl.** **D21/572**

FIG. 2 is a right side elevational view thereof;

[58] **Field of Search** D21/567, 572-575;

FIG. 3 is a front elevational view thereof;

D23/225, 226; 446/267, 473, 475; 222/78, 79; 239/211, 237, 229, 373; D14/117.8; D22/103; 124/78, 6, 16, 27

FIG. 4 is a rear elevational view thereof;

FIG. 5 is a top plan view thereof; and,

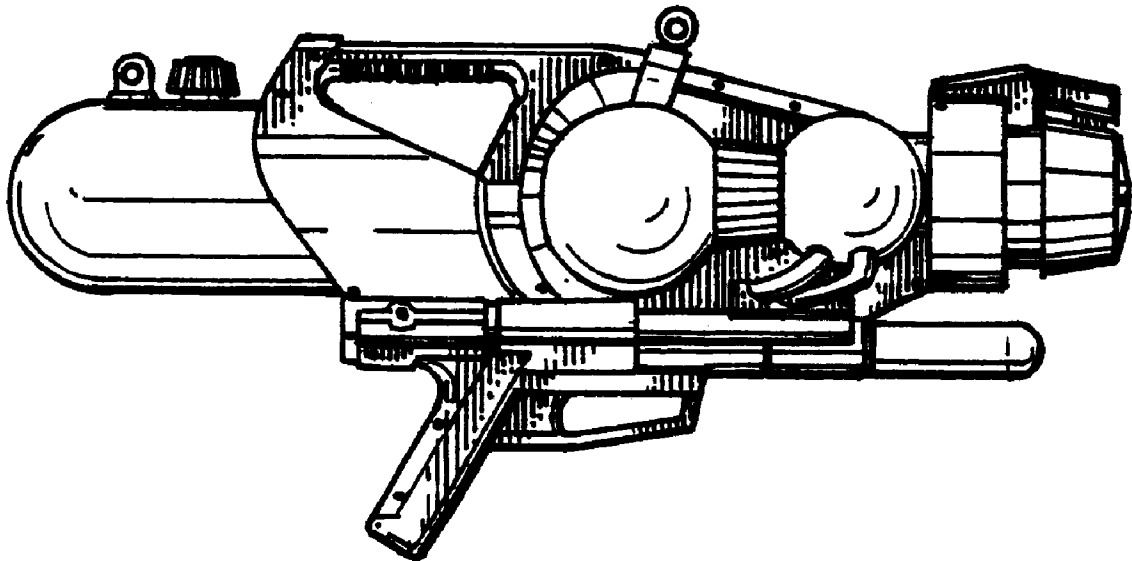
FIG. 6 is a bottom view thereof.

[56] **References Cited**

U.S. PATENT DOCUMENTS

D. 318,309 7/1991 D'Andrade D21/572

1 Claim, 2 Drawing Sheets



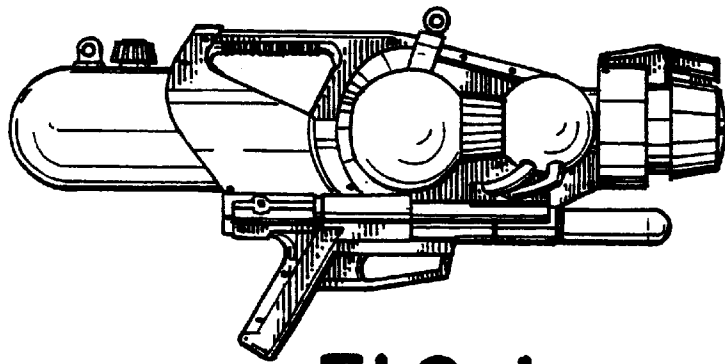


FIG. 1

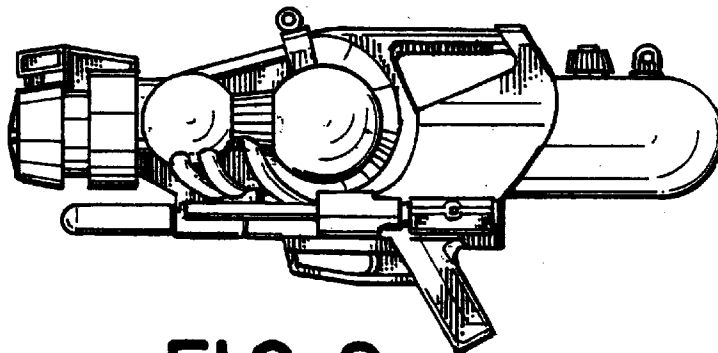


FIG. 2



FIG. 3



FIG. 4

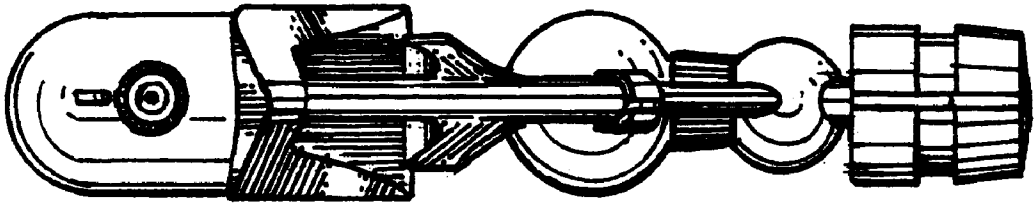


FIG. 5

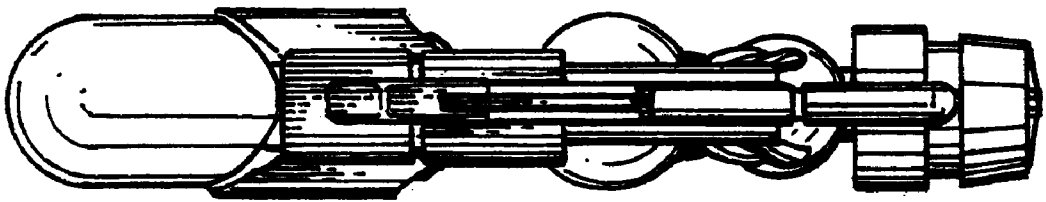


FIG. 6