



US00D907997S

(12) **United States Design Patent**
Eickhoff

(10) **Patent No.:** **US D907,997 S**

(45) **Date of Patent:** **** Jan. 19, 2021**

(54) **DRINK CUP LID**

(71) Applicant: **Berry Global, Inc.**, Evansville, IN (US)

(72) Inventor: **Jonathan Eickhoff**, Evansville, IN (US)

(73) Assignee: **Berry Global, Inc.**, Evansville, IN (US)

(**) Term: **15 Years**

(21) Appl. No.: **29/659,611**

(22) Filed: **Aug. 10, 2018**

(51) **LOC (13) Cl.** **09-07**

(52) **U.S. Cl.**
USPC **D9/434**

(58) **Field of Classification Search**
USPC D7/323, 354-363, 391-396.2, 402, 409,
D7/587, 601, 602, 624.1, 624.2, 509, 523,
(Continued)

(56) **References Cited**

U.S. PATENT DOCUMENTS

D7,248 S * 3/1874 Fogelstrand D19/97
D53,911 S * 10/1919 Humphrey D9/435
(Continued)

FOREIGN PATENT DOCUMENTS

EP 1464458 B1 10/2004
EP 1837138 B1 9/2007
WO 2011149583 A2 12/2011

OTHER PUBLICATIONS

Solo 668NS: Site Visited [Apr. 30, 2020]. Available from Internet
URL: <https://www.dartcontainer.com/products/foodservice-catalog/accessories/lids/solo-pet-plastic-flat-cold-cup-lids/668ns/> 1/2.*

(Continued)

Primary Examiner — Catherine S Posthauer

(74) *Attorney, Agent, or Firm* — Barnes & Thornburg, LLP

(57) **CLAIM**

The ornamental design for a drink cup lid, as shown and described.

DESCRIPTION

FIG. 1 is a top perspective view of a drink cup lid showing my new design;

FIG. 2 is a bottom perspective view thereof;

FIG. 3 is another bottom perspective view thereof;

FIG. 4 is a side view thereof;

FIG. 5 is a top plan view thereof;

FIG. 6 is a bottom view thereof;

FIG. 7 is an enlarged cross-sectional view thereof, taken along line 7-7 of FIG. 5;

FIG. 8 is an enlarged cross-sectional view thereof taken along line 8-8 of FIG. 5;

FIG. 9 is an enlarged cross-sectional view thereof, taken along line 9-9 of FIG. 5;

FIG. 10 is a top perspective view of another embodiment of a drink cup lid showing my new design;

FIG. 11 is a bottom perspective view thereof;

FIG. 12 is a top perspective view, showing the claimed design independent of the drink cup lid to show aspects of the design not visible when combined;

FIG. 13 is a bottom perspective view thereof;

FIG. 14 is a top plan view thereof;

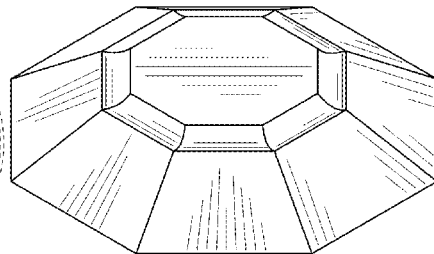
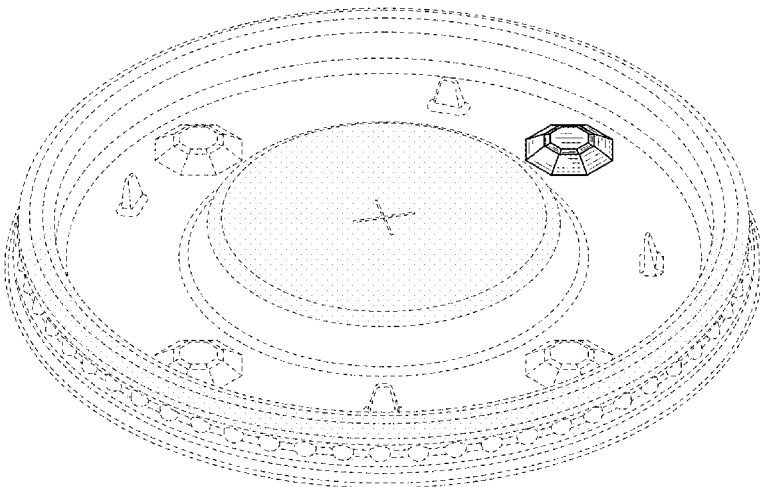
FIG. 15 is a bottom view thereof the portion included in the drink cup lids of my new design;

FIG. 16 is a side elevation view thereof; and,

FIG. 17 is side elevation view thereof.

The broken lines are shown for the purpose of illustrating parts of the article as well as the designation of enlargement views. None of the broken lines form part of the claimed design.

1 Claim, 8 Drawing Sheets



(58) **Field of Classification Search**

USPC D7/528, 529, 537, 553.6, 554.1, 566,
 D7/600.1, 619.1, 300, 300.1, 305, 392.1,
 D7/396.1, 397, 398, 387, 396.6, 900;
 D23/25, 260, 261; D24/121, 127, 193,
 D24/194, 197, 199, 281; D30/121, 123,
 D30/129, 131; D9/431, 434, 435, 441,
 D9/442, 444, 445, 447, 452, 453, 454,
 D9/455, 651; D28/79, 81, 85, 87;
 D1/106; D19/34.3, 95, 96, 97
 CPC B65D 2543/00046; B65D 2543/00092;
 B65D 2543/00555; B65D 47/08; B65D
 47/32; B65D 41/16; B65D 41/02; B65D
 41/18; B65D 43/0212; B65D 43/20;
 B65D 2251/009; B65D 2251/0028; B65D
 2251/0081; B65D 21/0223; B65D 21/02;
 B65D 21/265; B65D 2215/00; B65D
 2215/02; B65D 50/00; B65D 50/041;
 B65D 50/04; B65D 23/001; A47J 36/10;
 A47J 36/14; A47J 36/06; A47G 19/222;
 A47G 19/226; A47G 19/2272; A47G
 19/2294; A47G 19/2205
 See application file for complete search history.

(56) **References Cited**

U.S. PATENT DOCUMENTS

D58,571 S * 8/1921 Hyatt D9/453
 D62,268 S * 4/1923 Stern D11/90
 D65,193 S * 7/1924 Leveridge D11/90
 D78,805 S * 6/1929 Burke D9/453
 2,313,801 A 3/1943 Carlil
 3,027,596 A 4/1962 Knowles
 3,752,042 A 8/1973 Castille
 3,828,637 A 8/1974 Slack
 3,926,084 A 12/1975 Blazer
 D242,736 S * 12/1976 Craft, III D11/143
 D242,738 S * 12/1976 Michaeli D26/136
 4,061,706 A 12/1977 Duffield
 D264,440 S * 5/1982 Austin D9/431
 4,370,908 A 2/1983 Dealto
 4,412,467 A 11/1983 Desanto
 4,722,820 A 2/1988 Flecknoe-Brown
 D298,919 S * 12/1988 Gee D9/447
 4,994,229 A 2/1991 Flecknoe-Brown
 D317,262 S * 6/1991 Bluff D9/431
 5,088,367 A 2/1992 Cracchiolo
 5,106,567 A 4/1992 Demerest
 D365,516 S * 12/1995 Williamson D9/651
 D368,444 S * 4/1996 Shryock D11/143
 5,614,228 A 3/1997 Demerest
 D384,862 S * 10/1997 Hayes D7/566
 5,775,194 A 7/1998 Spada
 5,783,229 A 7/1998 Manlove
 5,795,535 A 8/1998 Giovannone
 5,868,309 A 2/1999 Sandstrom
 D408,223 S * 4/1999 Henry D30/129
 5,983,693 A 11/1999 Bodnar
 D428,355 S * 7/2000 Kavalek D11/90
 D432,868 S * 10/2000 Tan D7/584
 D437,671 S * 2/2001 Fajerstein D1/106
 D446,150 S * 8/2001 Bamminger D11/90
 D461,141 S * 8/2002 Steiner D11/90
 6,561,122 B1 5/2003 Kurja
 D492,901 S * 7/2004 Woods D9/435
 7,000,522 B2 2/2006 Pfaff, Jr.
 D529,391 S * 10/2006 Glass D9/559
 D543,787 S * 6/2007 Wasserman D7/565
 7,232,302 B2 6/2007 Marzona
 D559,105 S * 1/2008 D'Amato D9/454
 D578,829 S * 10/2008 Freeman D7/584
 7,455,006 B2 11/2008 Toth
 D588,002 S * 3/2009 D'Amato D9/447

D591,476 S * 5/2009 Colman D1/106
 D613,199 S * 4/2010 Schneider D11/90
 8,038,432 B2 10/2011 Mazzarolo
 8,196,500 B2 6/2012 Mansfield
 8,211,355 B2 7/2012 Otto
 8,282,382 B2 10/2012 Mazzarolo
 D685,286 S * 7/2013 Bhansali D11/90
 D693,181 S * 11/2013 Chase D7/586
 8,628,319 B2 1/2014 Mazzarolo
 D699,619 S * 2/2014 Kothari D11/90
 8,662,880 B2 3/2014 Fowler
 D734,894 S * 7/2015 Schlatter D28/76
 D744,288 S * 12/2015 Rosen D7/584
 9,814,334 B2 11/2017 Eickhoff
 9,815,239 B2 11/2017 Borse
 10,113,058 B2 10/2018 Bockman
 D838,591 S * 1/2019 Lee D9/447
 D845,128 S * 4/2019 Eickhoff D9/453
 10,286,593 B2 5/2019 Topolkarav
 D850,260 S * 6/2019 Eickhoff D9/452
 D867,873 S * 11/2019 Troutd D9/425
 D885,911 S * 6/2020 Silva D9/456
 D885,912 S * 6/2020 Silva D9/456
 2001/0001376 A1 5/2001 Kneppe
 2002/0184985 A1 12/2002 Ishibuchi
 2003/0089714 A1 5/2003 Dart
 2003/0089726 A1 5/2003 Mazzarolo
 2003/0192890 A1 10/2003 Mazzarolo
 2005/0092749 A1 5/2005 Durdon
 2005/0155969 A1 7/2005 Clarke
 2006/0071008 A1 4/2006 Sadlier
 2006/0096983 A1 5/2006 Patterson
 2006/0180028 A1 8/2006 Burchard
 2006/0213908 A1 9/2006 Clarke
 2006/0255038 A1 11/2006 Hollis
 2007/0034629 A1 2/2007 Mazzarolo
 2007/0107578 A1 5/2007 Koelsch
 2008/0035681 A1 2/2008 Skillin
 2008/0097516 A1 4/2008 Chang
 2008/0105696 A1 5/2008 Dart
 2008/0245792 A1 10/2008 Chou
 2009/0223961 A1 9/2009 Wang
 2009/0272742 A1 11/2009 Dybala
 2009/0313956 A1 12/2009 Martinez
 2010/0255137 A1 10/2010 Mazzarolo
 2011/0011863 A1 1/2011 Hollis
 2011/0124817 A1 5/2011 Dias
 2012/0024871 A1 2/2012 Hundley
 2012/0048856 A1 3/2012 Walker
 2012/0132699 A1 5/2012 Mann
 2012/0261417 A1 10/2012 Tabor
 2012/0272622 A1 11/2012 Weiss
 2013/0020338 A1 1/2013 French
 2013/0037558 A1 2/2013 Selina
 2013/0277380 A1 10/2013 Koestring
 2014/0072674 A1 3/2014 Holinda, Jr.
 2014/0284344 A1 9/2014 French
 2015/0014090 A1 1/2015 Masor
 2015/0344647 A1 12/2015 Maeda
 2017/0008187 A1 1/2017 Iwai
 2018/0022012 A1 1/2018 Rapparini
 2018/0050826 A1 2/2018 Hartman
 2018/0127161 A1 5/2018 Smith
 2018/0133919 A1 5/2018 Waterman
 2018/0290798 A1* 10/2018 Peng A47G 19/2272
 2019/0039328 A1* 2/2019 Eickhoff B29C 48/0011

OTHER PUBLICATIONS

Single Use Spill RESistant Flat Lid Berry Global: Site Visited [Apr. 30, 2020]. Available from Internet URL: <https://catalog.berryglobal.com/products/lid/lidrink/dlt308srep>.*
 Thermoform Strawless Lid with Straw Slot Berry Global: Site Visited [Apr. 30, 2020]. Available from Internet URL: <https://catalog.berryglobal.com/products/lid/lidrink/dlt402ssl>.*
 Chartier Octagonal Wall Modern and Contemporary Accent Mirror: Site Visited [Sep. 14, 2020. Available from Internet URL: <https://>

(56)

References Cited

OTHER PUBLICATIONS

www.wayfair.com/decor-pillows/pdp/eichholtz-chartier-octagonal-wall-modern-and-contemporary-accent-mirror-eitz2666.html.*

Nathan Wall Mounted Mirror: Announced Jul. 2, 2020 [online]. Site Visited [Sep. 14, 2020]. Available from Internet URL: <https://www.wayfair.com/decor-pillows/pdp/house-of-hampton-nathan-wall-mounted-mirror-hmpt5079.html>.*

Office Action dated Mar. 19, 2020, for U.S. Appl. No. 15/172,650, (pp. 1-11).

Office Action dated Sep. 12, 2019 for U.S. Appl. No. 15/946,023, (pp. 1-15).

First Examination Report for Indian App. No. 8804/DELNP/2015 sent Oct. 30, 2019, 6 pages.

Office Action dated Jan. 7, 2019 for U.S. Appl. No. 15/172,650, (pp. 1-9).

Office Action dated Nov. 30, 2018 for U.S. Appl. No. 29/599,948, (pp. 1-5).

Third Party Submission Under 37 CFR 1.290 in U.S. Appl. No. 16/057,122, dated Apr. 16, 2020, 49 pages.

International Search Report and Written Opinion dated Apr. 29, 2020, 11 pages.

International (PCT) Search Report and Written Opinion for PCT/2020/016769 dated May 27, 2020, 12 pages.

Office Action dated Aug. 6, 2020 for U.S. Appl. No. 16/736,849, (pp. 1-18).

Office Action dated Aug. 20, 2020 for U.S. Appl. No. 16/057,122, (pp. 1-20).

Polymer Properties of Omnexus—Transparency (<https://web.archive.org/web/20170406012756/https://omnexus.specialchem.com/polymer-properties/properties/transparency>, available in public at least on or after Apr. 6, 2017) (Year: 2017).

Polymer Properties of Omnexus—Haze (<https://web.archive.org/web/20170519201652/https://omnexus.specialchem.com/polymer-properties/properties/haze>, available in public at least on or after May 19, 2017) (Year: 2017).

Impact Plastics Blog (<http://blogimpactplastics-ct.com/blog/basic-guide-to-the-three-main-grades-of-polypropylene-resin>, available in public from the date May 16, 2017) (Year: 2017).

Canadian Filing of Prior Art Under Section 34.1(1) of the Canadian Patent Act by Third Party, Aug. 7, 2020, 20 pages.

International (PCT) Search Report and Written Opinion for PCT/US20/46469 dated Nov. 30, 2020, 9 pages.

* cited by examiner

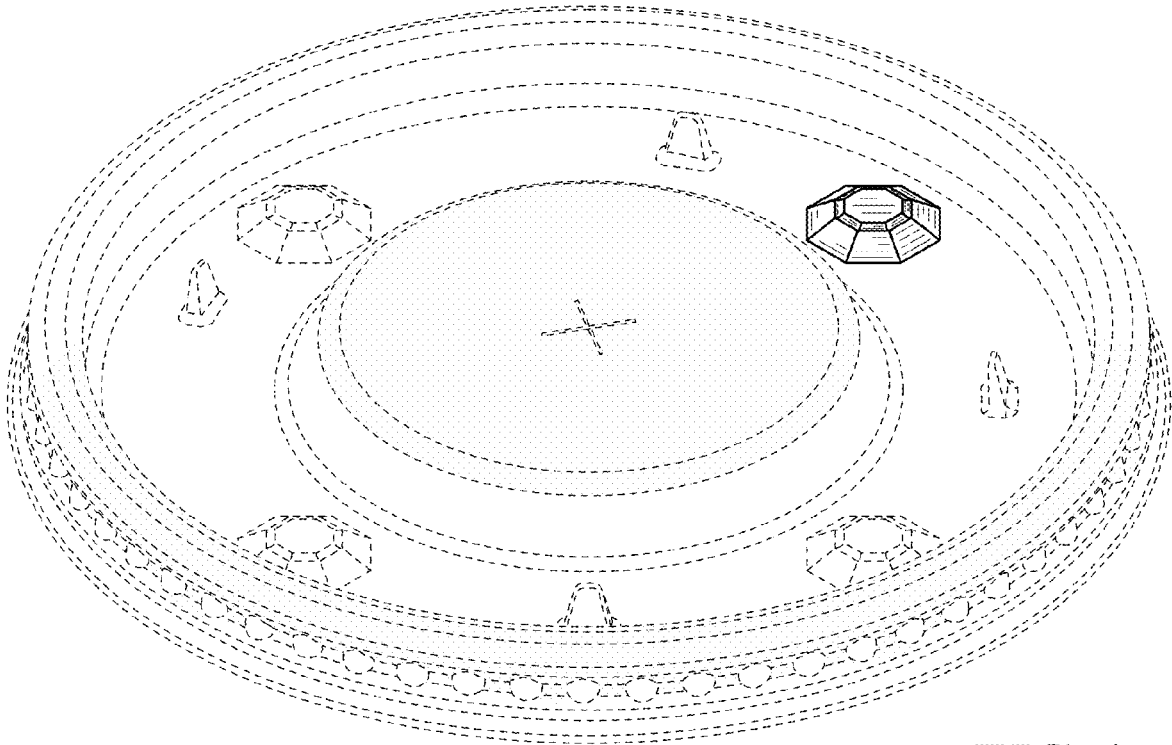


FIG. 1

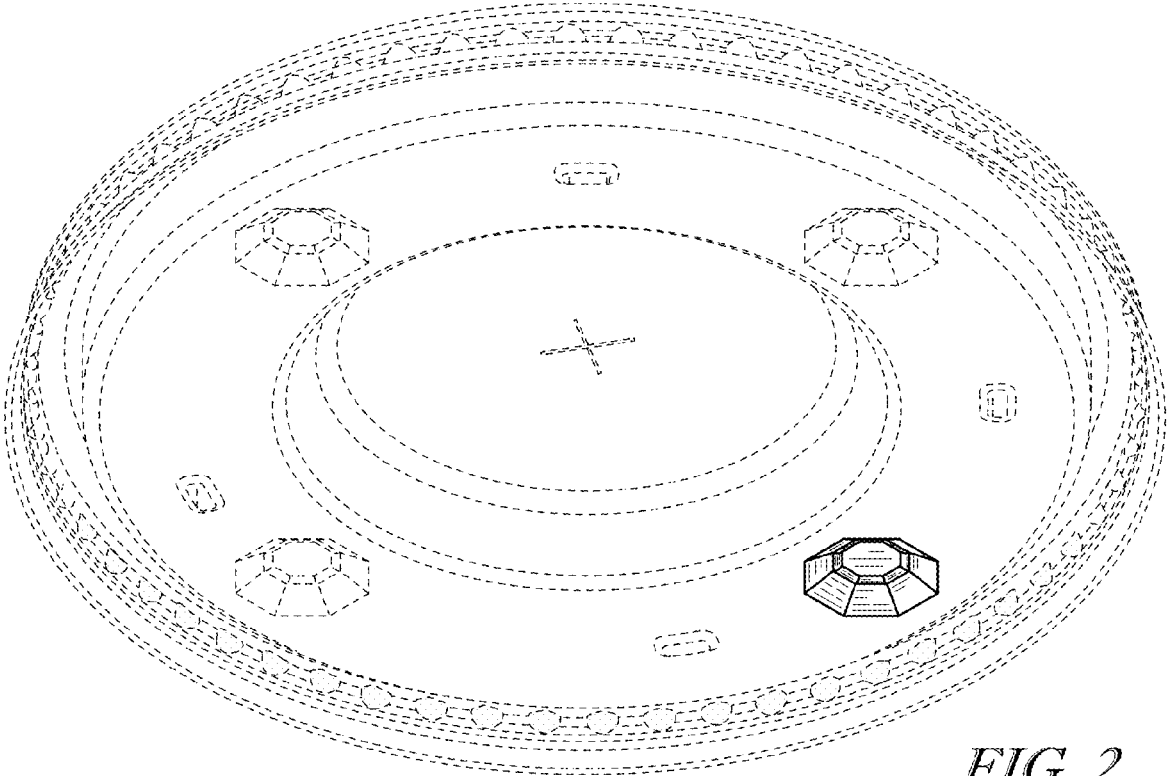


FIG. 2

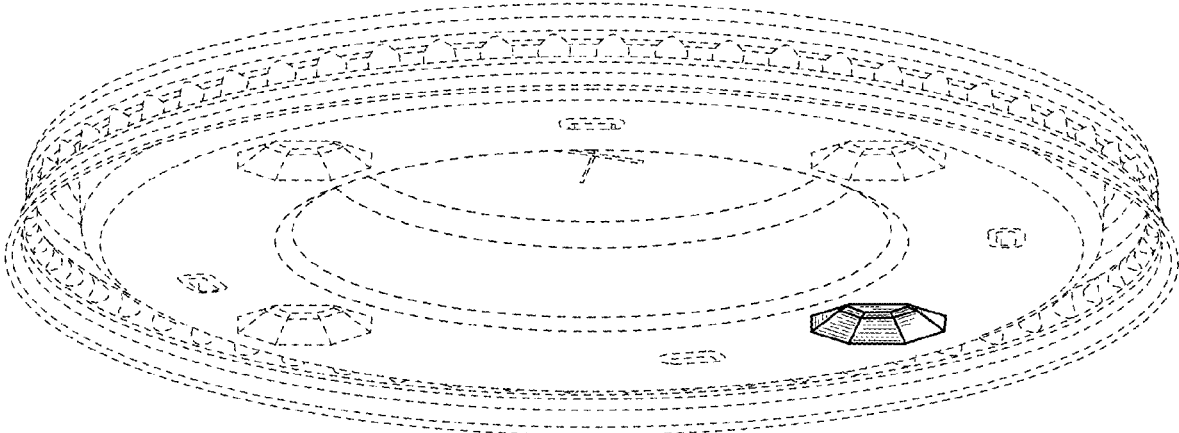


FIG. 3

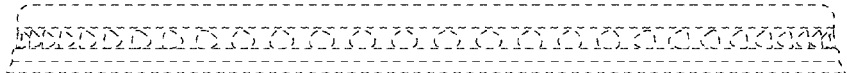


FIG. 4

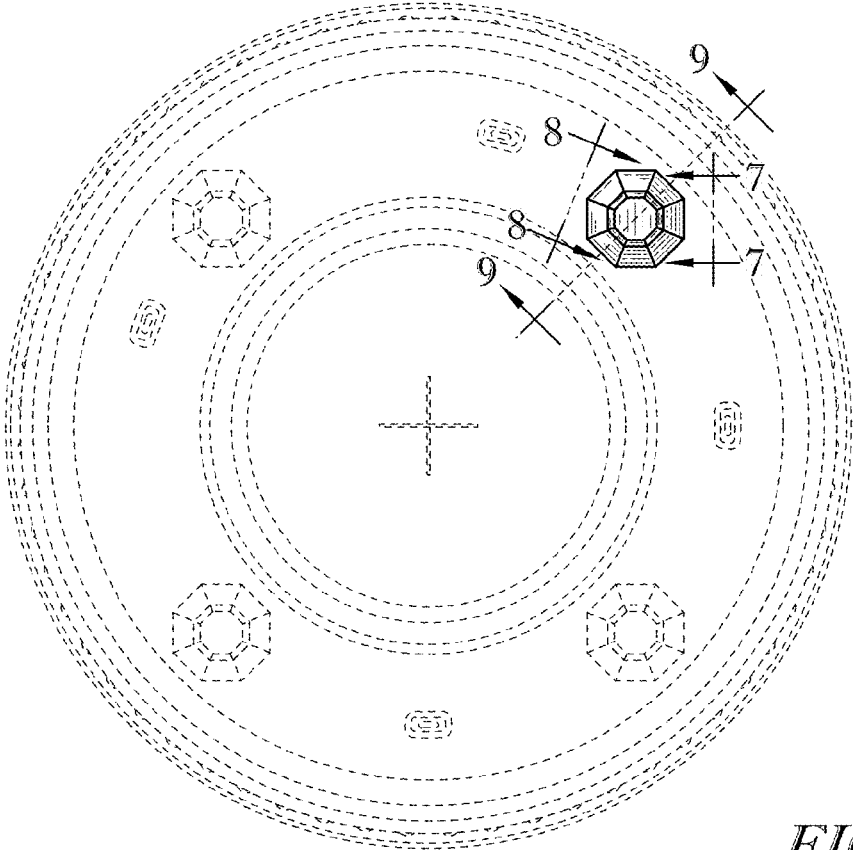


FIG. 5

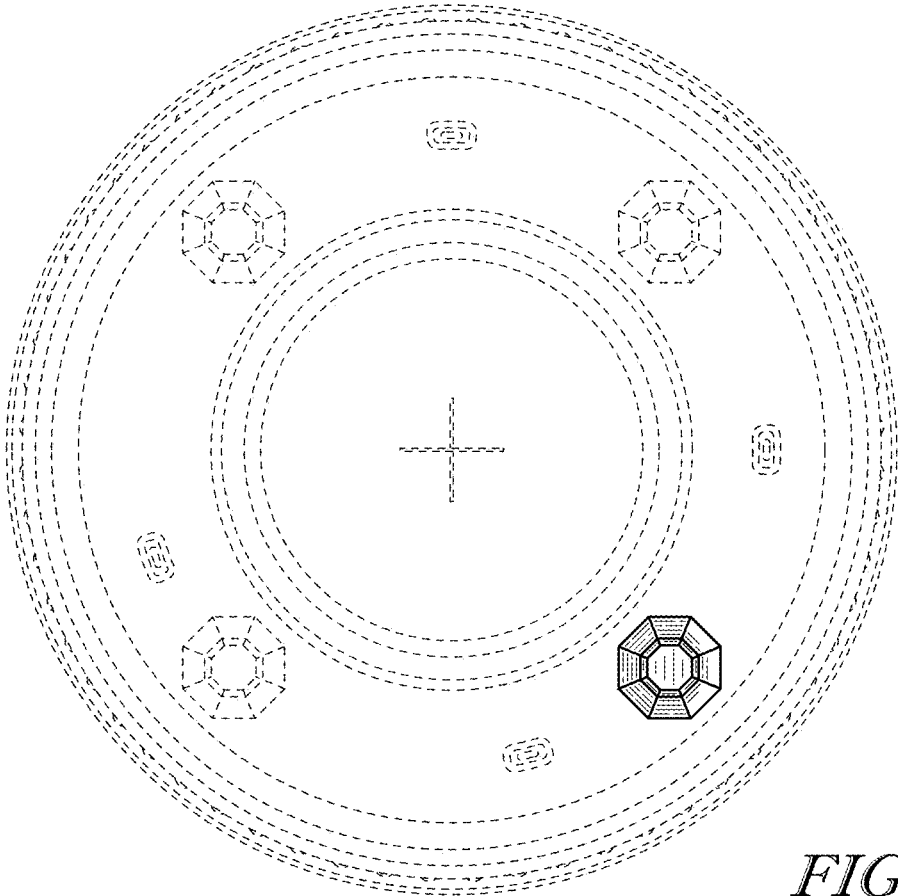


FIG. 6

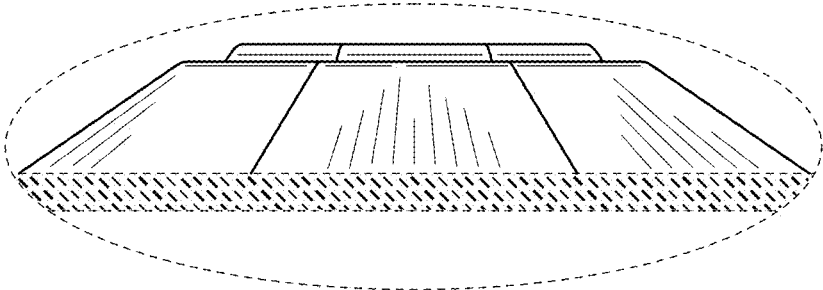


FIG. 7

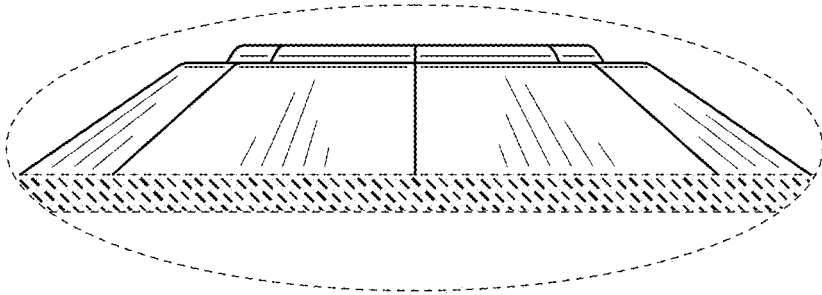


FIG. 8

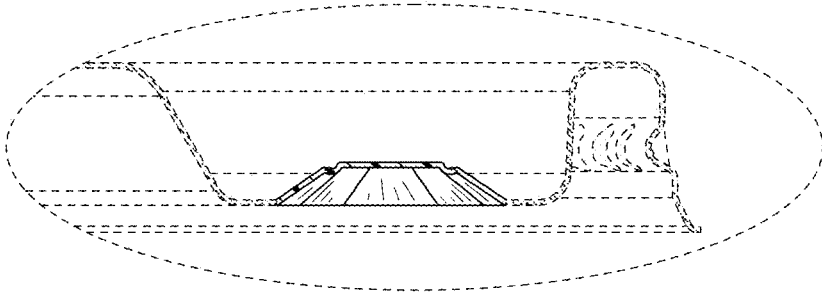


FIG. 9

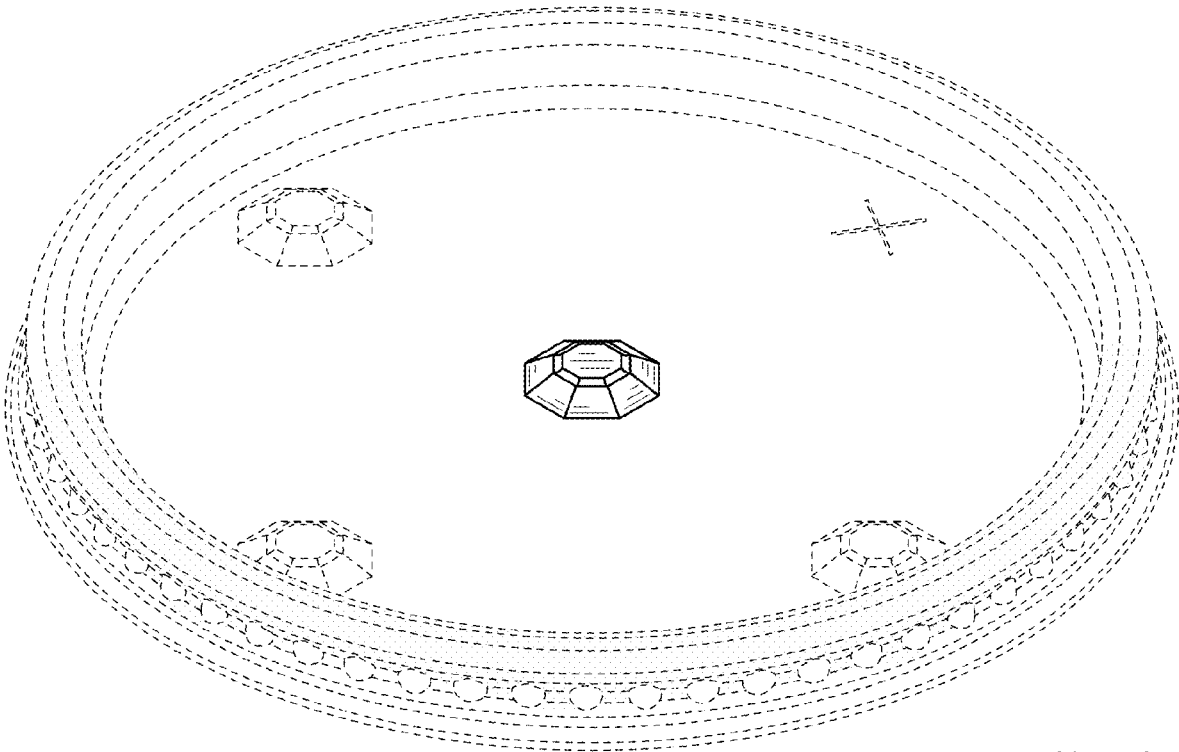


FIG. 10

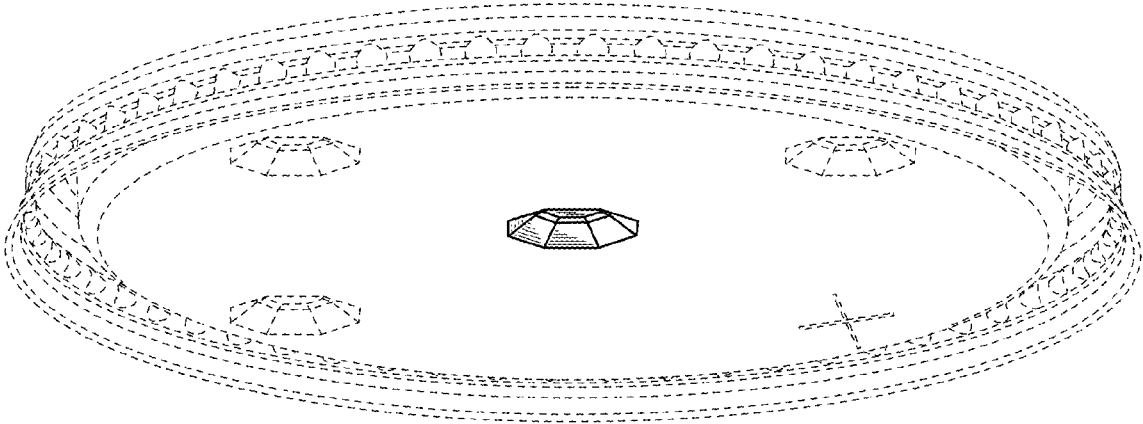


FIG. 11

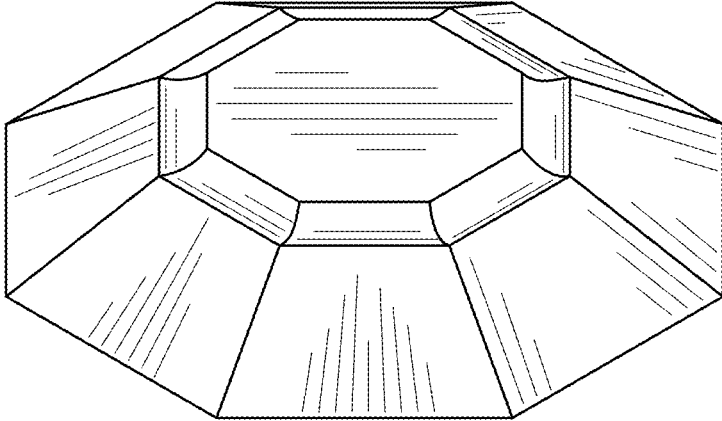


FIG. 12

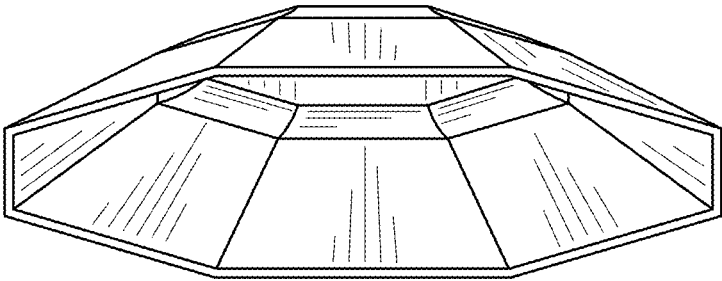


FIG. 13

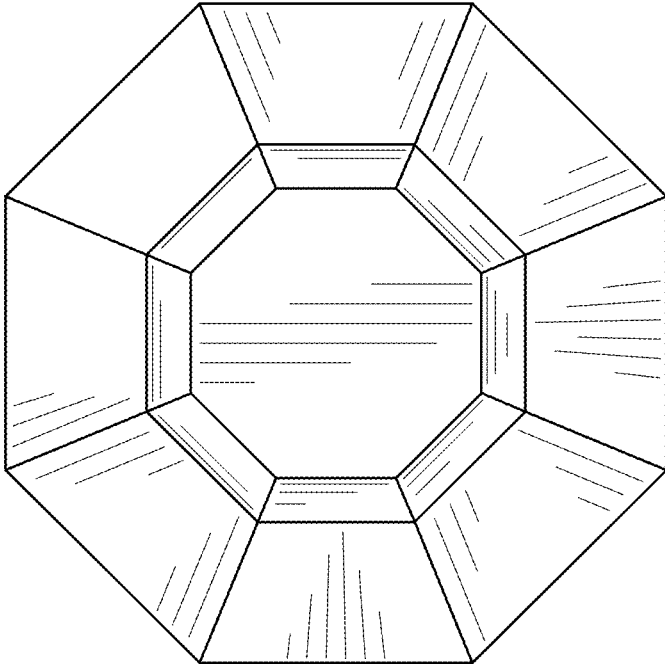


FIG. 14

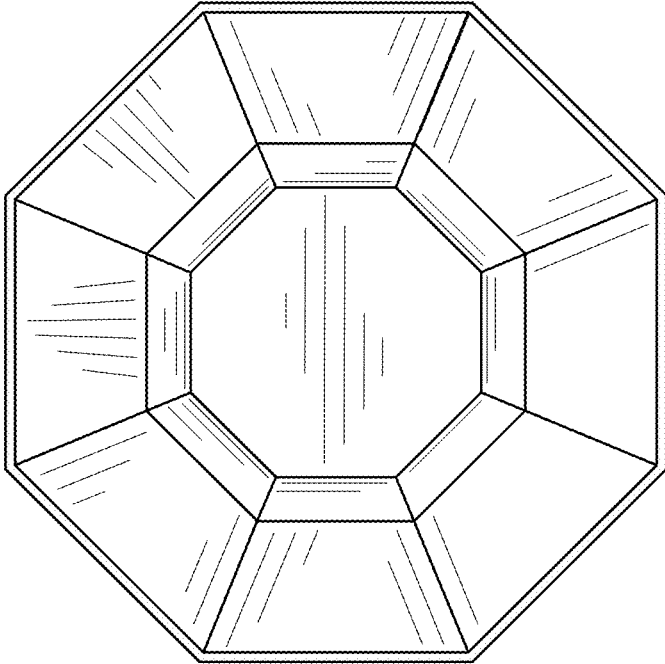


FIG. 15

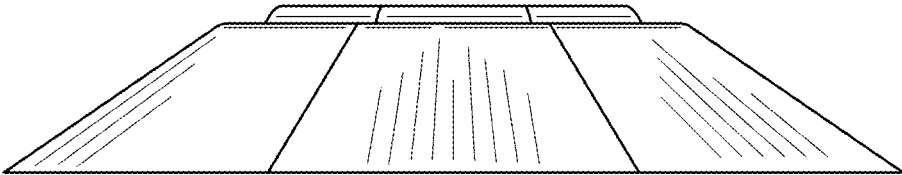


FIG. 16

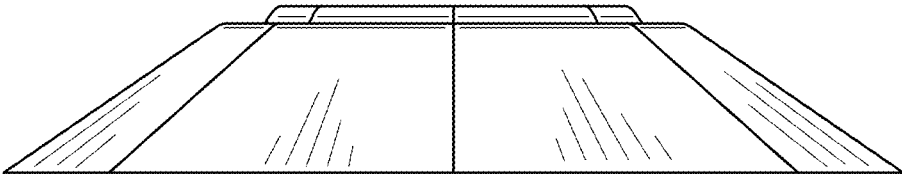


FIG. 17