



(12) **United States Design Patent**  
**Barbagelata et al.**

(10) **Patent No.:** **US D910,166 S**  
(45) **Date of Patent:** **\*\* Feb. 9, 2021**

- (54) **SNORKEL MASK**
- (71) Applicant: **Mares S.p.A.**, Rapallo (IT)
- (72) Inventors: **Marco Barbagelata**, Genoa (IT);  
**Aristide Barone**, Rapallo (IT)

2018/0065719	A1*	3/2018	Liao	.....	B63C 11/16
2019/0023366	A1*	1/2019	Liao	.....	B63C 11/16
2019/0224506	A1*	7/2019	Palmieri	.....	F16K 15/144
2019/0225311	A1*	7/2019	Barone	.....	B63C 11/16
2019/0225312	A1*	7/2019	Barone	.....	B63C 11/16
2020/0102059	A1*	4/2020	Wung	.....	B63C 11/16
2020/0189700	A1*	6/2020	Vaccaro	.....	B63C 11/16

- (\*\*) Term: **15 Years**
- (21) Appl. No.: **29/662,029**
- (22) Filed: **Aug. 31, 2018**

**FOREIGN PATENT DOCUMENTS**

CN	304394900	*	12/2017
CN	304797788	*	9/2018
CN	305251035	*	7/2019

(Continued)

(30) **Foreign Application Priority Data**

Mar. 13, 2018	(EM)	.....	004753556-0004
Mar. 13, 2018	(EM)	.....	004753556-0006

- (51) **LOC (13) Cl.** ..... **29-02**
- (52) **U.S. Cl.**  
USPC ..... **D24/110.2**; D24/110.4
- (58) **Field of Classification Search**  
USPC ..... D24/110-110.2, 110.4-110.5; D29/110,  
D29/122  
CPC ... B63C 2011/128; B63C 11/12; B63C 11/16;  
B63C 11/14; B63C 2011/165; B63C  
11/205; B63C 2011/182; B63C 11/186  
See application file for complete search history.

**OTHER PUBLICATIONS**

Darwin (Shenzhen) Sports Co., LTD. Catalog. Darwin Sports. Date retrieved: Oct. 8, 2019. Retrieved from Internet: <https://www.darwinsports.com/wp-content/uploads/2019/08/DARWIN-SPORTS-PRODUCTS-CATALOGE.pdf> (Year: 2019).\*

*Primary Examiner* — Lilyana Bekic  
(74) *Attorney, Agent, or Firm* — Themis Law

(57) **CLAIM**

The ornamental design for snorkel mask, as shown and described.

(56) **References Cited**

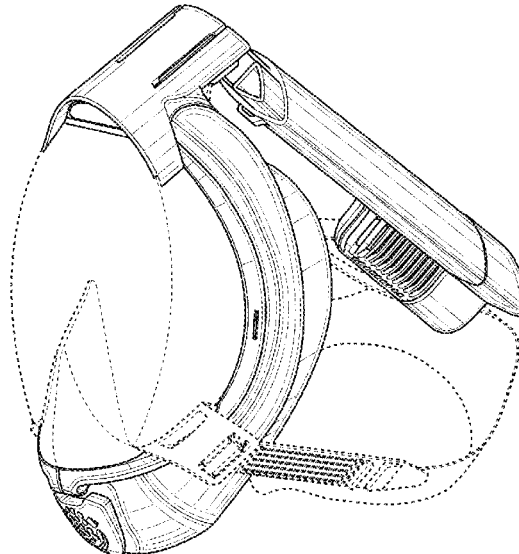
**U.S. PATENT DOCUMENTS**

D775,722	S *	1/2017	Caprice	.....	D24/110.2
D852,266	S *	6/2019	Liao	.....	D24/110.2
D863,543	S *	10/2019	Hu	.....	D24/110.2
D869,639	S *	12/2019	Liao	.....	D24/110.2
D873,991	S *	1/2020	Chen	.....	D24/110.2
D875,923	S *	2/2020	Cai	.....	D24/110.2
10,556,654	B2 *	2/2020	Cucchia	.....	B63C 11/12
D881,377	S *	4/2020	Barbagelata	.....	D24/110.2
D881,378	S *	4/2020	Barbagelata	.....	D24/110.2
D882,756	S *	4/2020	Lin	.....	D24/110.2
2016/0297505	A1 *	10/2016	Caprice	.....	B63C 11/16
2017/0096204	A1 *	4/2017	Cucchia	.....	B63C 11/16

**DESCRIPTION**

FIG. 1 is a perspective view of a snorkel mask showing our new design;  
FIG. 2 is a top view thereof;  
FIG. 3 is a bottom view thereof;  
FIG. 4 is a front view thereof;  
FIG. 5 is a rear view thereof;  
FIG. 6 is a left side view thereof; and,  
FIG. 7 is a right side view thereof.  
The broken lines in the drawings depict portions of the snorkel mask that form no part of the claimed design.

**1 Claim, 7 Drawing Sheets**



(56)

**References Cited**

FOREIGN PATENT DOCUMENTS

EM	004140531-0001	*	12/2017
EM	005329430-0001	*	7/2018
EM	005620150-0001	*	9/2018
KR	300967430.0000	*	8/2018

\* cited by examiner

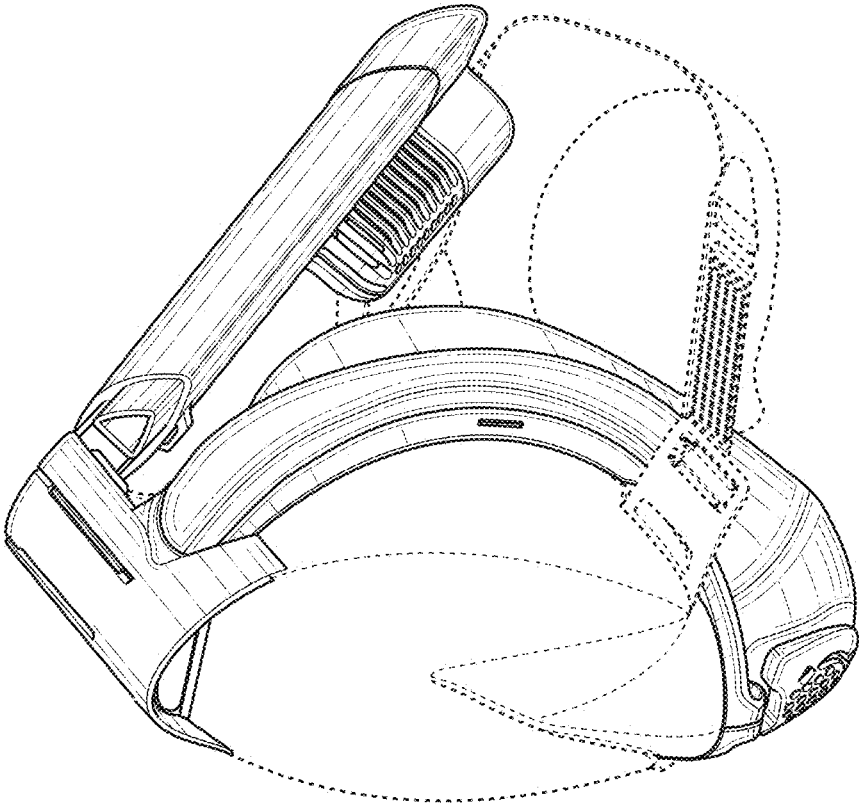


FIG. 1

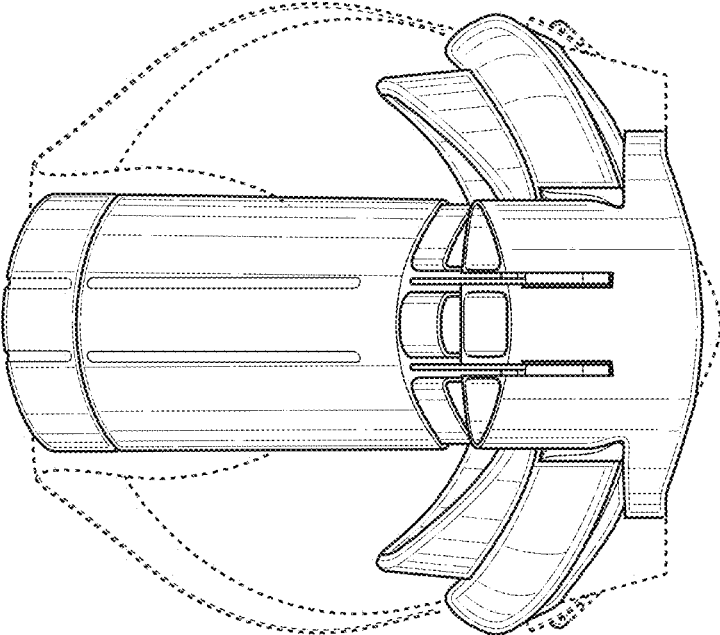


FIG. 2

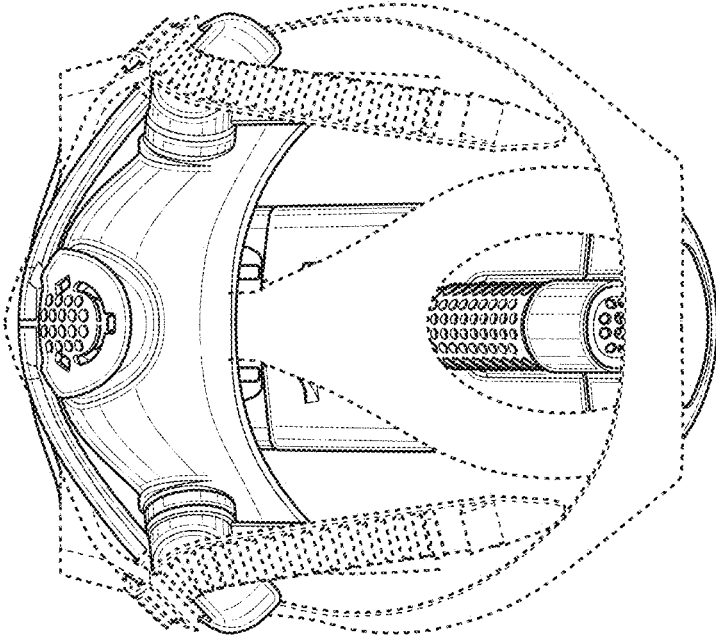


FIG. 3

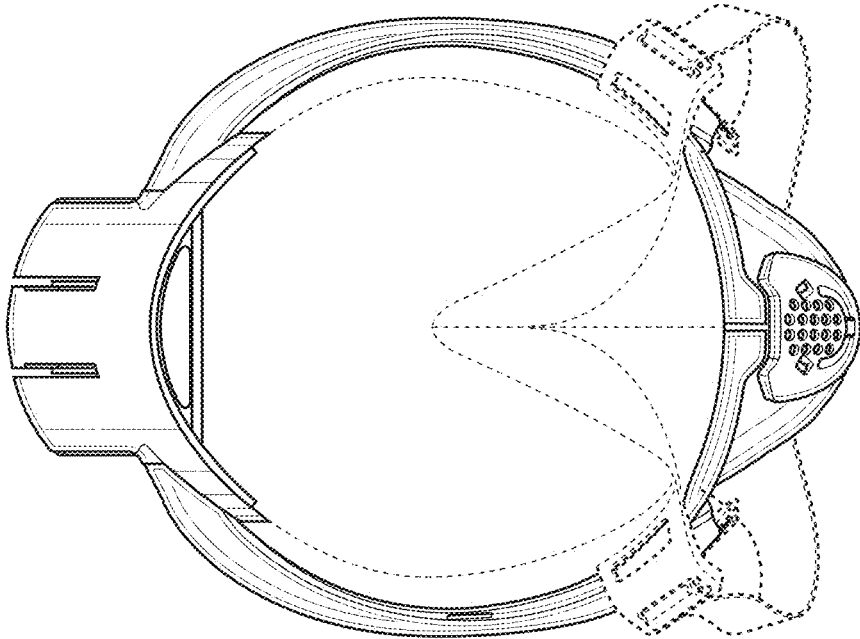


FIG. 4

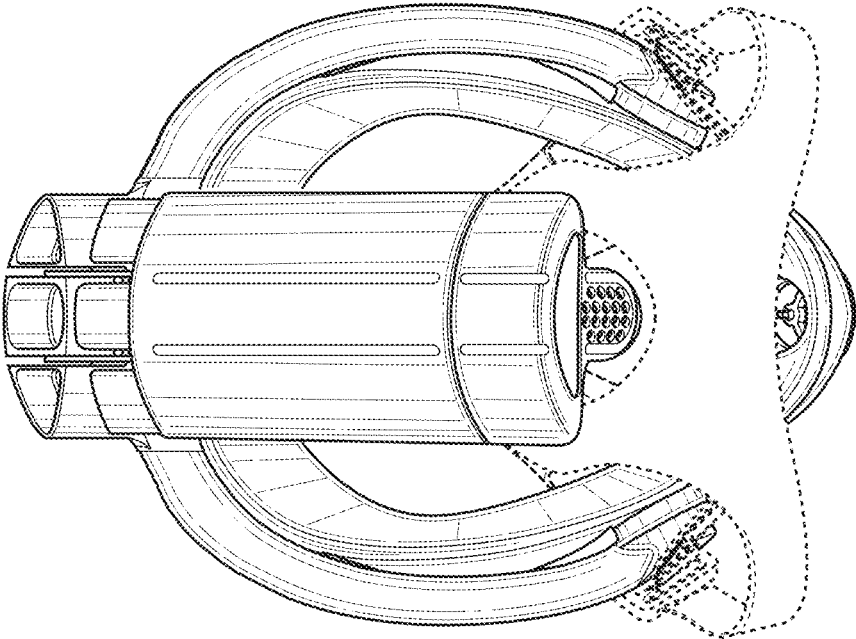


FIG. 5

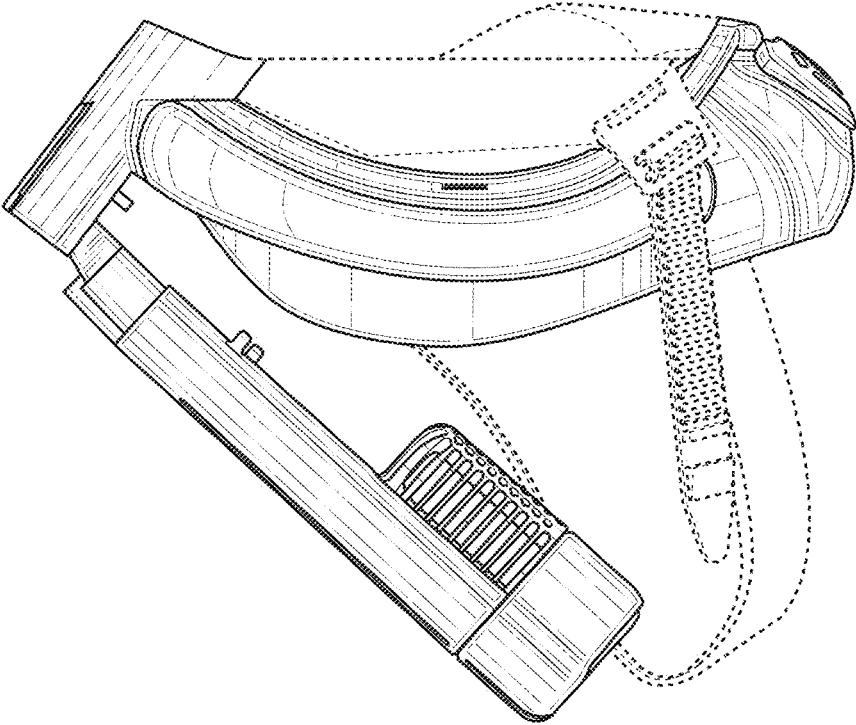


FIG. 6



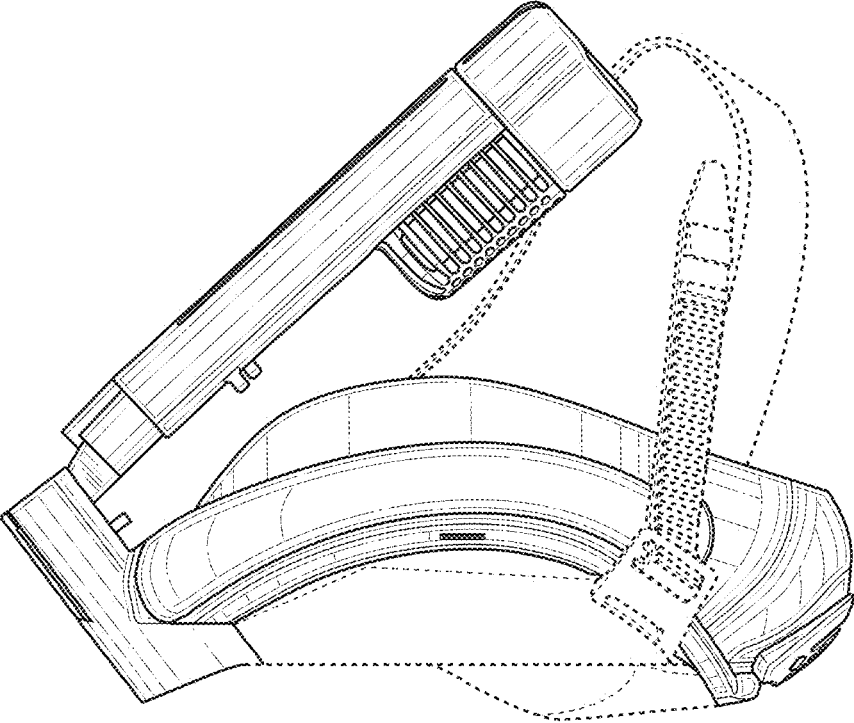


FIG. 7