



US00D896085S

(12) **United States Design Patent** (10) **Patent No.:** **US D896,085 S**  
**Fudetani et al.** (45) **Date of Patent:** **\*\* Sep. 15, 2020**

(54) **SET OF PACKAGING BLOCKS**  
(71) Applicant: **Panasonic Intellectual Property Management Co., Ltd.**, Osaka-shi, Osaka (JP)  
(72) Inventors: **Naoki Fudetani**, Kyoto (JP); **Shinichi Takiguchi**, Osaka (JP)  
(73) Assignee: **Panasonic Intellectual Property Management Co., Ltd.**, Osaka (JP)  
(\*\*) Term: **15 Years**

*Primary Examiner* — Wendy L. Arminio  
(74) *Attorney, Agent, or Firm* — Brinks Gilson & Lione

(57) **CLAIM**

The ornamental design for a set of packaging blocks, as shown and described.

**DESCRIPTION**

(21) Appl. No.: **29/642,572**  
(22) Filed: **Mar. 30, 2018**  
(51) **LOC (12) Cl.** ..... **09-07**  
(52) **U.S. Cl.**  
USPC ..... **D9/456**  
(58) **Field of Classification Search**  
USPC ..... D9/414, 434-436, 438-440, 443-457, D9/499, 503-505, 682, 685, 686, 415, D9/418, 432, 433, 501, 721, 737, 744, D9/745, 748, 749, 755, 756, 759; D7/387, 391, 392, 392.1, 396.2-396.4, D7/401.1, 507, 509-511, 538, 900; D3/202, 203.2, 318; D28/91.1  
CPC .. A61J 1/00; A61J 1/1412; B65D 1/00; B65D 1/02; B65D 1/10; B65D 1/46; B65D 5/46; B65D 41/00; B65D 41/38; B65D 41/56; B65D 41/62; B65D 47/00; B65D 47/06; B65D 47/08; B65D 2251/00; B65D 2543/00046; B65D 2543/00092; B65D

FIG. 1 is an exploded perspective view of a set of packaging blocks of the present invention showing individual packaging blocks unstacked and disassembled with one another and positioned vertically to show order of assembly; FIG. 2 is a perspective view showing one of the set of packaging blocks of the present invention; FIG. 3 is a front view thereof; FIG. 4 is a rear view thereof; FIG. 5 is a left side view thereof; FIG. 6 is a right side view thereof; FIG. 7 is a top view thereof; FIG. 8 is a bottom view thereof; FIG. 9 is a cross-sectional view taken in the direction of line 9-9 in FIG. 5; FIG. 10 is a cross-sectional view taken in the direction of line 10-10 in FIG. 3; FIG. 11 is a perspective view showing another one of the set of packaging blocks of the present invention; FIG. 12 is a front view thereof; FIG. 13 is a rear view thereof; FIG. 14 is a left side view thereof; FIG. 15 is a right side view thereof; FIG. 16 is a top view thereof; and, FIG. 17 is a bottom view thereof.

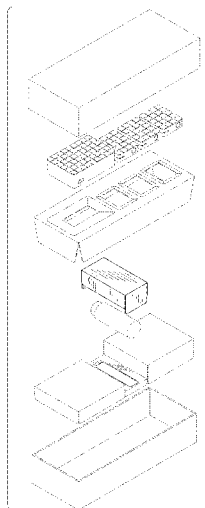
In FIG. 1, the broken lines illustrating electronic components and other packaging articles depict environment and form no part of the claimed design. All other broken lines and unshaded areas depict portions of the set of packaging blocks that form no part of the claimed design.

(Continued)

(56) **References Cited**  
U.S. PATENT DOCUMENTS

D211,321 S \* 6/1968 Ullmann ..... D9/418  
D258,422 S \* 3/1981 Mullinix ..... D9/416  
D285,777 S \* 9/1986 Forbes, Jr. .... D9/416  
(Continued)

**1 Claim, 17 Drawing Sheets**



US D896,085 S

(58) **Field of Classification Search**  
CPC ..... 2543/00296; B65D 2585/56;  
B65D 2585/545  
See application file for complete search history.

(56) **References Cited**

U.S. PATENT DOCUMENTS

D286,745 S \* 11/1986 Forbes, Jr. .... D9/416  
4,876,136 A \* 10/1989 Chang ..... A45D 40/0087  
428/130  
5,295,580 A \* 3/1994 Hicks ..... B65D 5/5054  
206/588  
D387,276 S \* 12/1997 Marston ..... D9/456  
5,953,885 A \* 9/1999 Berman ..... A45D 40/0087  
53/431  
D536,612 S \* 2/2007 Geurts ..... D9/432  
D567,077 S \* 4/2008 Jackel ..... D9/415  
D576,484 S \* 9/2008 Koza ..... D9/432  
D576,486 S \* 9/2008 Koza ..... D9/432  
D577,580 S \* 9/2008 Koza ..... D9/432  
D577,581 S \* 9/2008 Koza ..... D9/432  
D592,075 S \* 5/2009 Holcomb ..... D9/721

D595,125 S \* 6/2009 Doyle ..... D3/298  
D620,795 S \* 8/2010 Andre ..... D9/432  
D632,169 S \* 2/2011 Ruth ..... D9/418  
D678,761 S \* 3/2013 Cooper ..... D9/418  
D720,614 S \* 1/2015 Kim ..... D9/456  
D723,913 S \* 3/2015 Summey ..... D7/602  
D733,550 S \* 7/2015 Birgers ..... D9/414  
D736,618 S \* 8/2015 Andre ..... D9/432  
D746,537 S \* 12/2015 Kuo ..... D34/38  
D761,106 S \* 7/2016 Clark ..... D9/456  
D761,646 S \* 7/2016 Smith ..... D9/414  
D772,053 S \* 11/2016 Mayer ..... D9/418  
D796,954 S \* 9/2017 Lun ..... D9/456  
D803,057 S \* 11/2017 Malone ..... D9/456  
D823,134 S \* 7/2018 O'Neill ..... D9/759  
D849,531 S \* 5/2019 Hockin ..... D9/432  
D849,538 S \* 5/2019 Dhir ..... D9/456  
D856,146 S \* 8/2019 McKenzie ..... D9/456  
D856,147 S \* 8/2019 Anderson ..... D9/456  
D864,720 S \* 10/2019 Clark ..... D9/456  
D868,575 S \* 12/2019 Davidson, Jr. .... D9/418  
2006/0207914 A1 \* 9/2006 Cance ..... B65D 5/509  
206/588

\* cited by examiner

FIG. 1

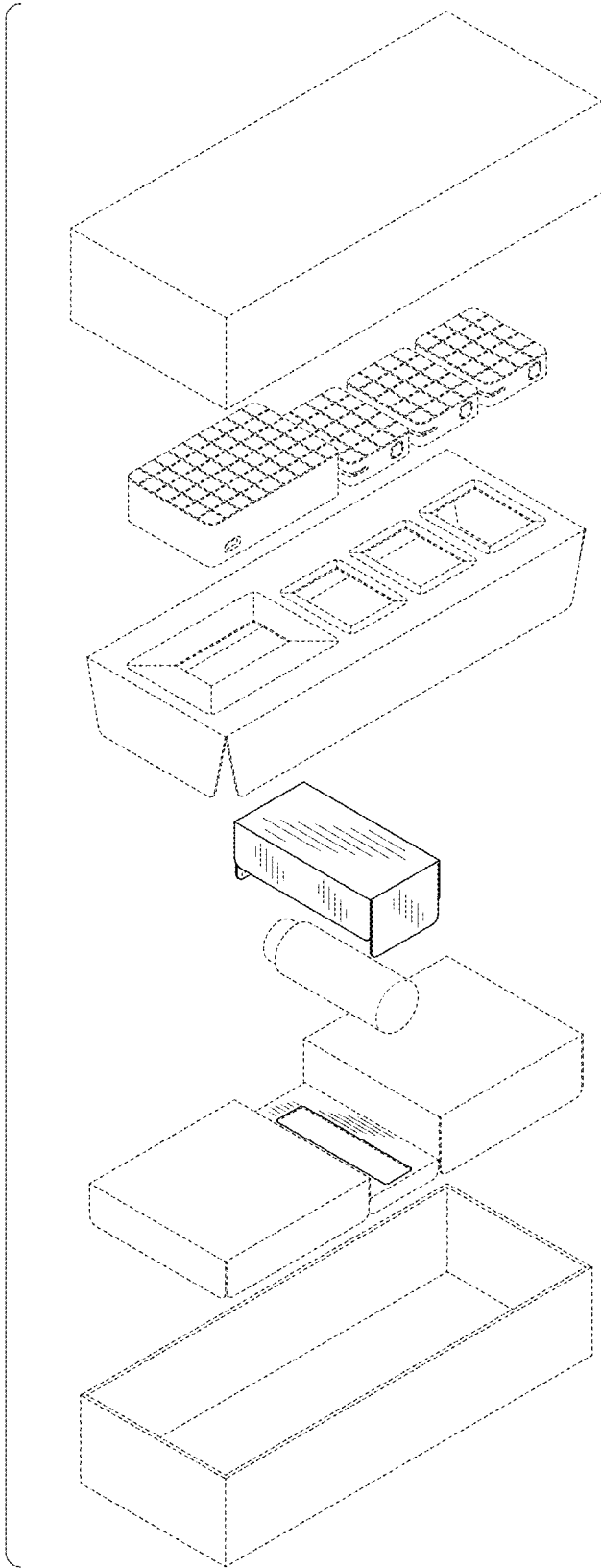


FIG. 2

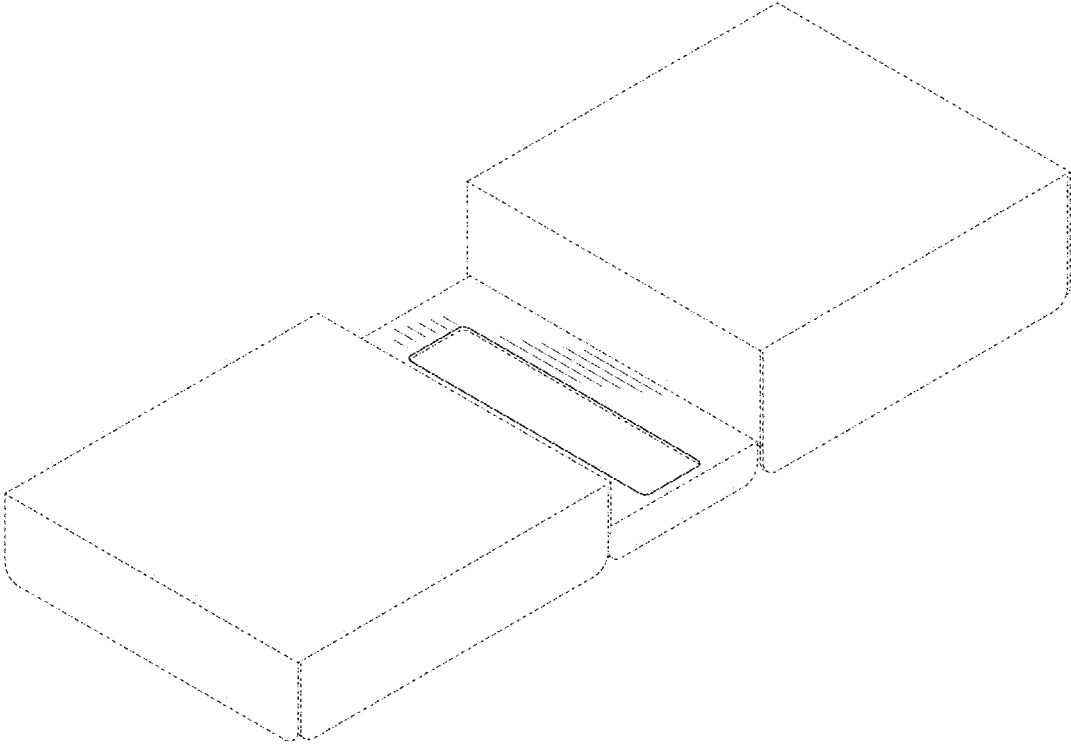


FIG. 3

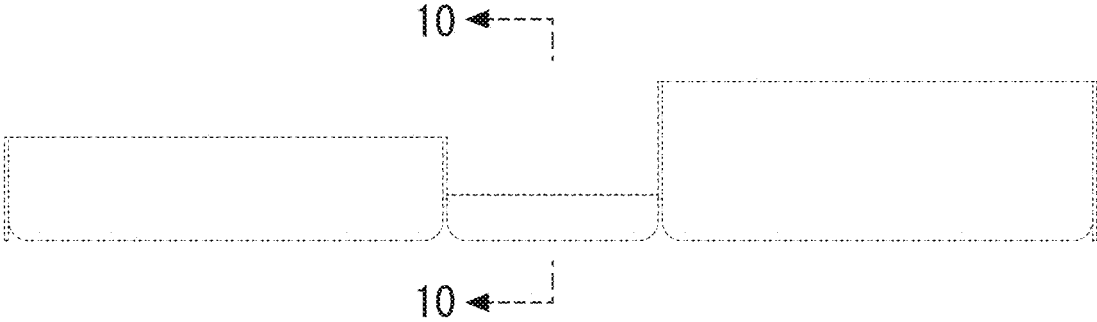


FIG. 4



FIG. 5

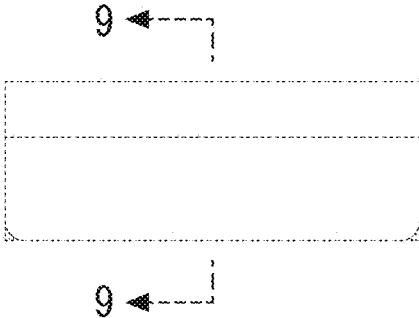


FIG. 6





FIG. 7

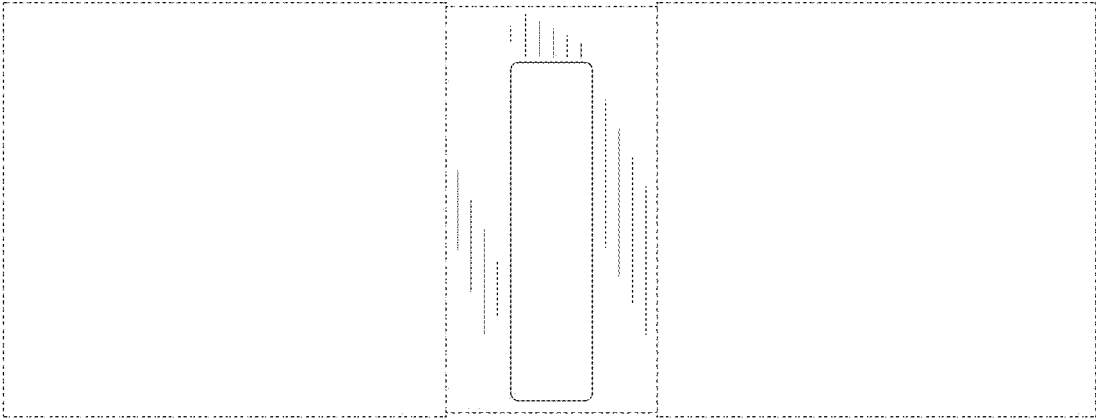


FIG. 8

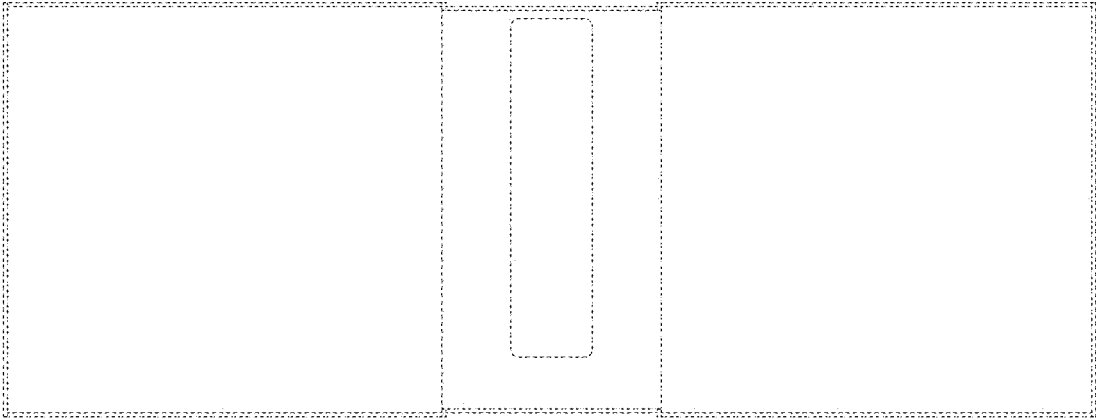


FIG. 9

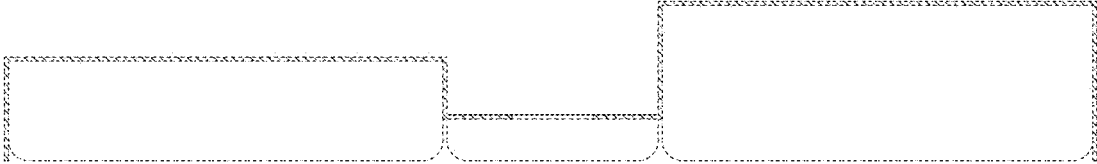


FIG. 10

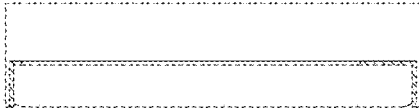


FIG. 11

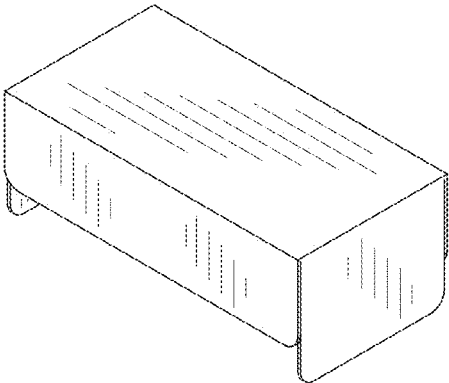


FIG. 12



FIG. 13

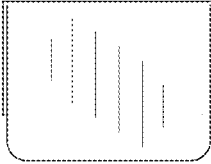


FIG. 14

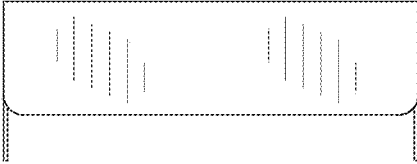




FIG. 15

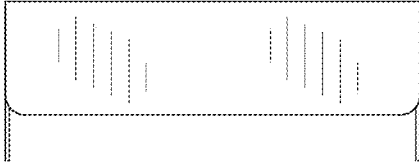


FIG. 16

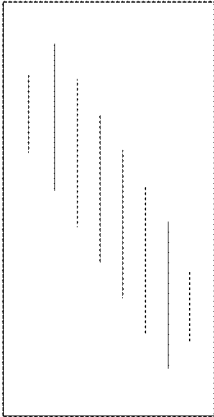


FIG. 17

