

[54] CEILING AIR DIFFUSER OR THE LIKE

[75] Inventor: Robert W. Walker, Loveland, Colo.

[73] Assignee: Walker Manufacturing Company,  
Fort Collins, Colo.

[\*\*] Term: 14 Years

[21] Appl. No.: 350,880

[22] Filed: Feb. 22, 1982

[52] U.S. Cl. .... D23/115; D23/151

[58] Field of Search ..... D23/112, 114, 115, 151,  
D23/163; 98/40 D, 121 R

[56] References Cited

U.S. PATENT DOCUMENTS

D. 166,322	4/1952	Kurth .....	D23/115
D. 171,505	2/1954	Krueger .....	D23/115
D. 179,847	3/1957	Griner .....	D23/115
D. 225,010	10/1972	Steiner .....	D23/151
D. 225,011	10/1972	Steiner .....	D23/151
2,511,490	6/1950	Bauer .....	98/121 R

3,877,356	4/1975	Burns .....	98/40 D
3,906,846	9/1975	Day .....	98/40 D
3,937,133	2/1976	Bertin et al. ....	98/121 R X
4,020,752	5/1977	Stephan .....	98/40 D
4,080,882	3/1978	Burns .....	98/40 D

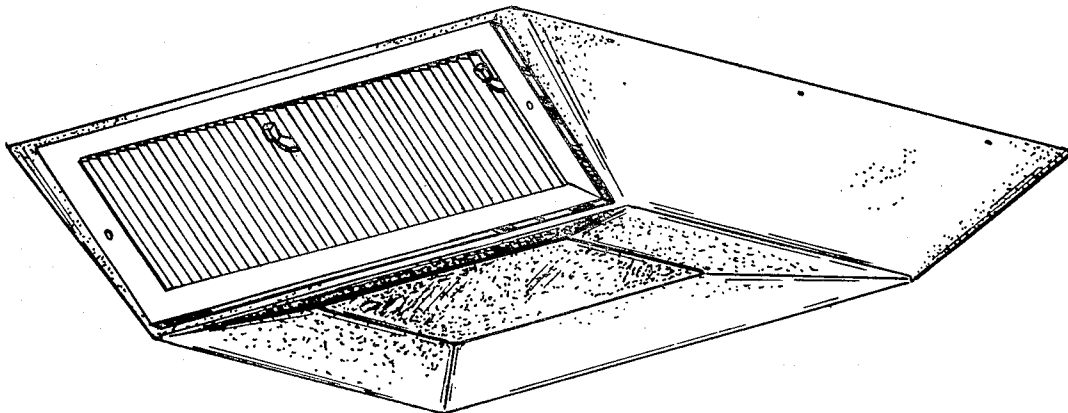
Primary Examiner—James R. Largen  
Attorney, Agent, or Firm—Hugh H. Drake

[57] CLAIM

The ornamental design for a ceiling air diffuser or the like, as shown and described.

DESCRIPTION

FIG. 1 is an isometric view of a ceiling air diffuser or the like embodying my new design;  
FIG. 2 is a bottom plan view thereof;  
FIG. 3 is an elevational view taken from one side thereof, the opposite side being the same as the side shown;  
FIG. 4 is an elevational view taken from one end thereof, the opposite end being the same as the end shown; and  
FIG. 5 is a top plan view thereof.



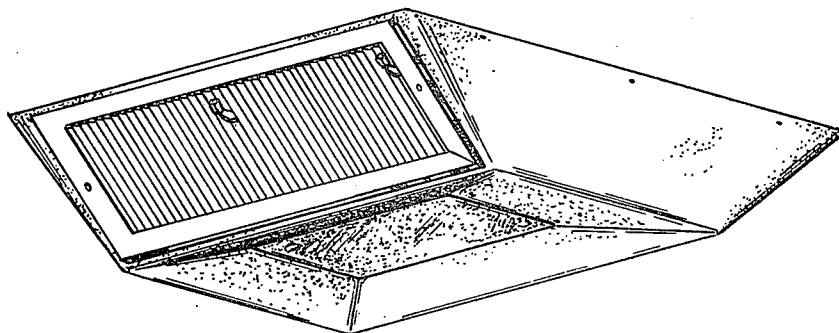


FIG. 1

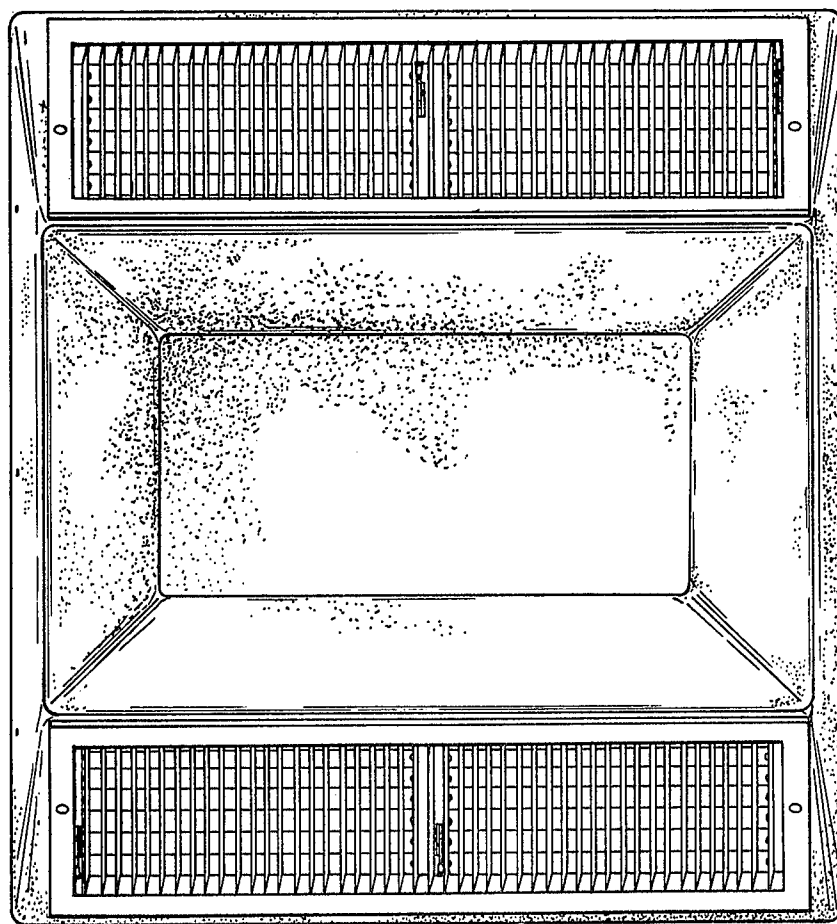


FIG. 2

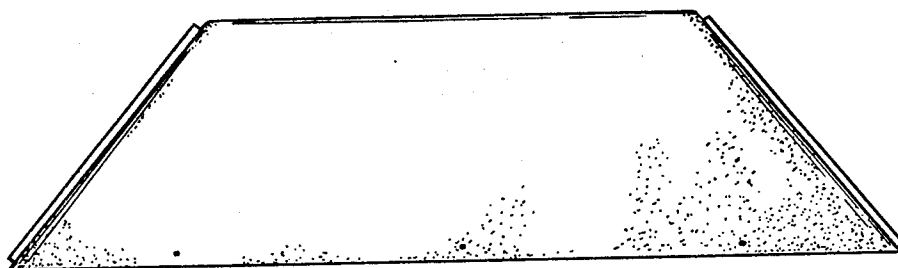


FIG. 3

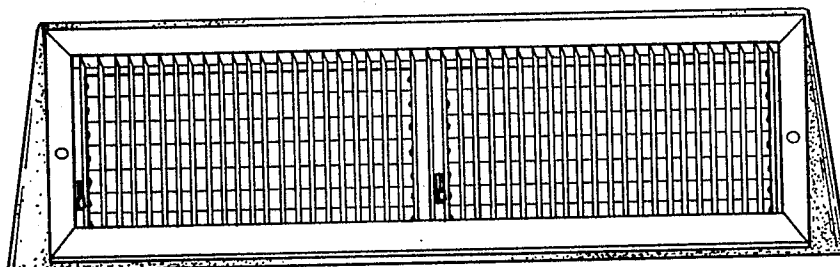


FIG. 4

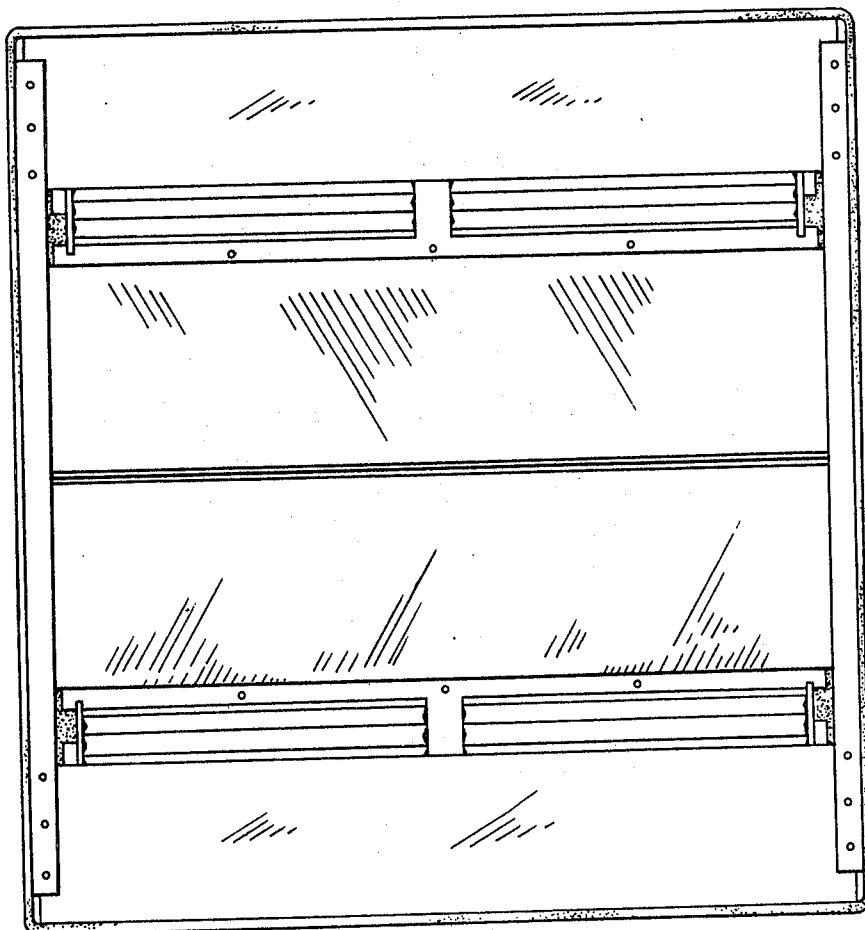


FIG. 5