



US0D1037571S

(12) **United States Design Patent**
Su

(10) **Patent No.:** **US D1,037,571 S**

(45) **Date of Patent:** **** Jul. 30, 2024**

(54) **HUMMINGBIRD HOUSE**
(71) Applicant: **Quanzhou Zhongpeng Network Technology Co., Ltd., Quanzhou (CN)**

D683,081 S * 5/2013 Schatz D30/111
D683,910 S * 6/2013 Muhr D30/128
D852,433 S * 6/2019 Hua D30/126
2013/0305993 A1* 11/2013 Lush A01K 39/0113
119/51.01

(72) Inventor: **Guoyang Su, Quanzhou (CN)**
(73) Assignee: **Quanzhou Zhongpeng Network Technology Co., Ltd., Quanzhou (CN)**

FOREIGN PATENT DOCUMENTS

CN 306121100 S 10/2020
CN 306583378 S 6/2021

(**) Term: **15 Years**

OTHER PUBLICATIONS

(21) Appl. No.: **29/914,677**

<https://www.amazon.com/Hummingbird-Outside-Nesting-Hanging-Chickadee/dp/B0C98GYZLC?th=1>, Jun. 25, 2023.

(22) Filed: **Oct. 20, 2023**

<https://www.amazon.co.uk/Hummingbird-Decorations-Balcony-Suitable-Rianpesn/dp/B0C39MDCYF>, Apr. 22, 2023.

(30) **Foreign Application Priority Data**

Apr. 21, 2023 (CN) 202330224380.7

* cited by examiner

(51) **LOC (14) Cl.** **30-02**

Primary Examiner — Sheryl Lane

(52) **U.S. Cl.** **D30/110**

Assistant Examiner — Aula Soroush

USPC **D30/110**

(74) *Attorney, Agent, or Firm* — Cooper Legal Group, LLC

(58) **Field of Classification Search**

USPC D30/110, 111, 124, 108, 126, 121, 125

CPC A01K 31/14; A01K 31/06; A01K 31/00;

A01K 39/0113

See application file for complete search history.

(57) **CLAIM**

The ornamental design for a hummingbird house, as shown and described.

(56) **References Cited**

DESCRIPTION

U.S. PATENT DOCUMENTS

1,495,900 A * 5/1924 Foster A01K 31/14
D30/110
D89,631 S * 4/1933 Daggett D30/111
D195,628 S * 7/1963 Andrae 119/57.8
D216,199 S * 12/1969 Brown D30/125
4,102,308 A * 7/1978 Kilham A01K 39/0113
D30/128
D373,552 S * 9/1996 Lownsbury D30/111
D566,344 S * 4/2008 Schatz D30/127
D608,059 S * 1/2010 McNaughton D30/111
D632,024 S * 2/2011 Zamarripa D30/110
D634,484 S * 3/2011 Zamarripa D30/110
D646,026 S * 9/2011 Zamarripa D30/110
D681,884 S * 5/2013 Kingdon D30/127

FIG. 1 is a front elevational view of a hummingbird house showing the new design;

FIG. 2 is a rear elevational view thereof;

FIG. 3 is a left-side elevational view thereof;

FIG. 4 is a right-side elevational view thereof;

FIG. 5 is a top plan view thereof;

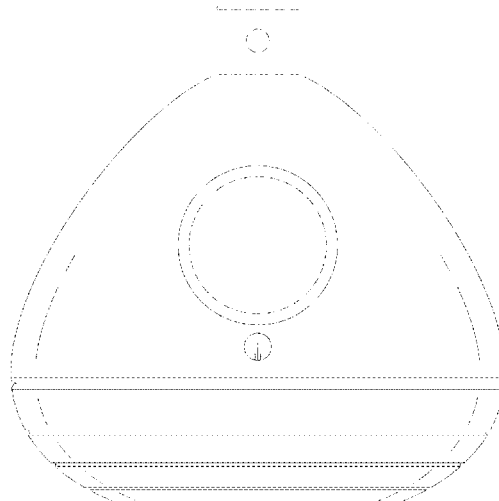
FIG. 6 is a bottom plan view thereof;

FIG. 7 is a first perspective view thereof; and,

FIG. 8 is a second perspective view thereof.

The broken lines shown in the drawings are for the purpose of illustrating portions of the hummingbird house and form no part of the claimed design.

1 Claim, 8 Drawing Sheets



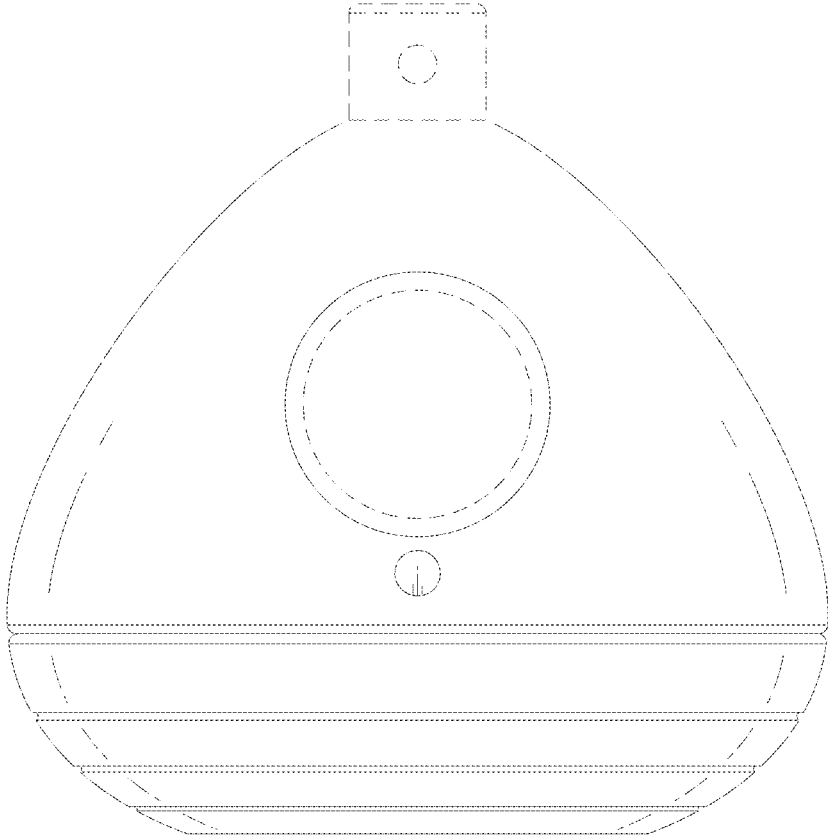


FIG. 1

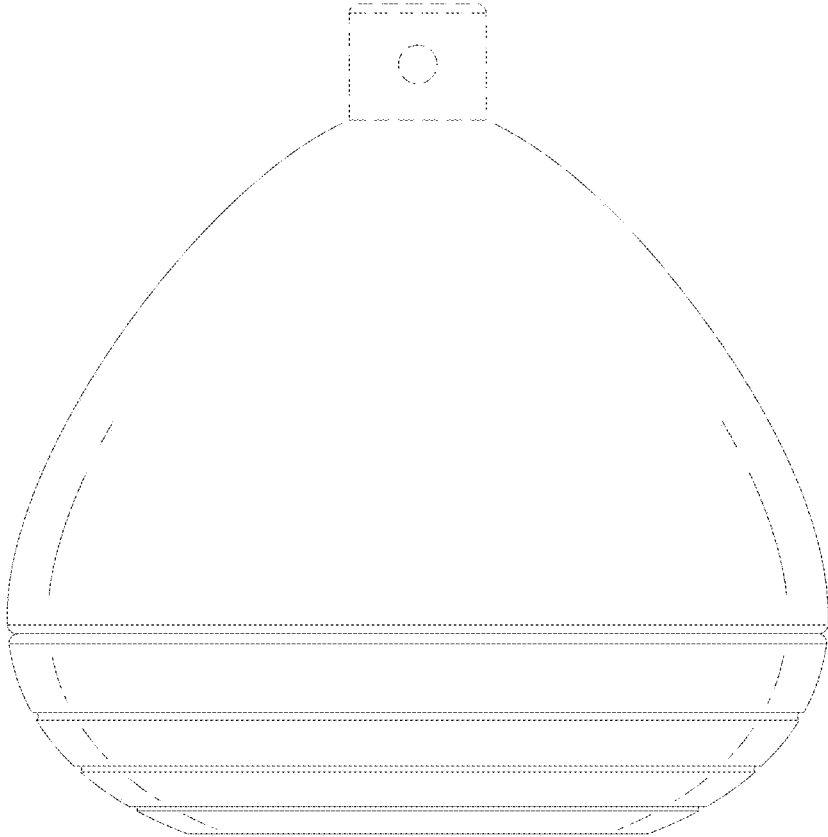


FIG. 2

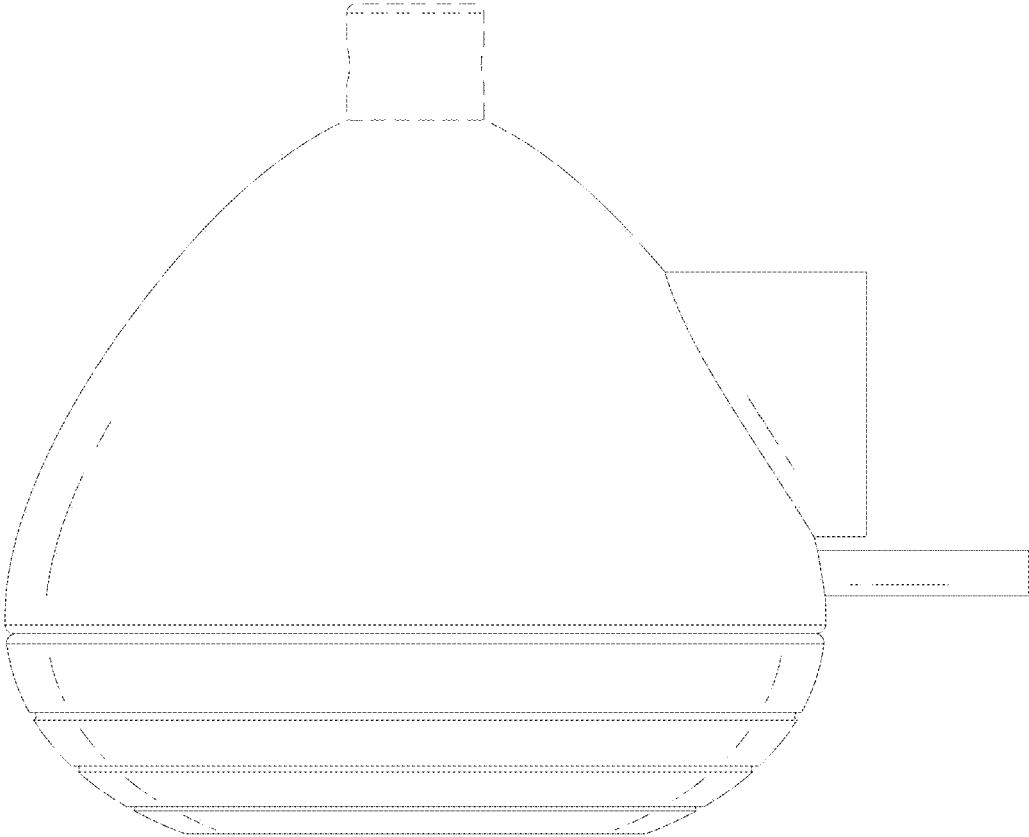


FIG. 3

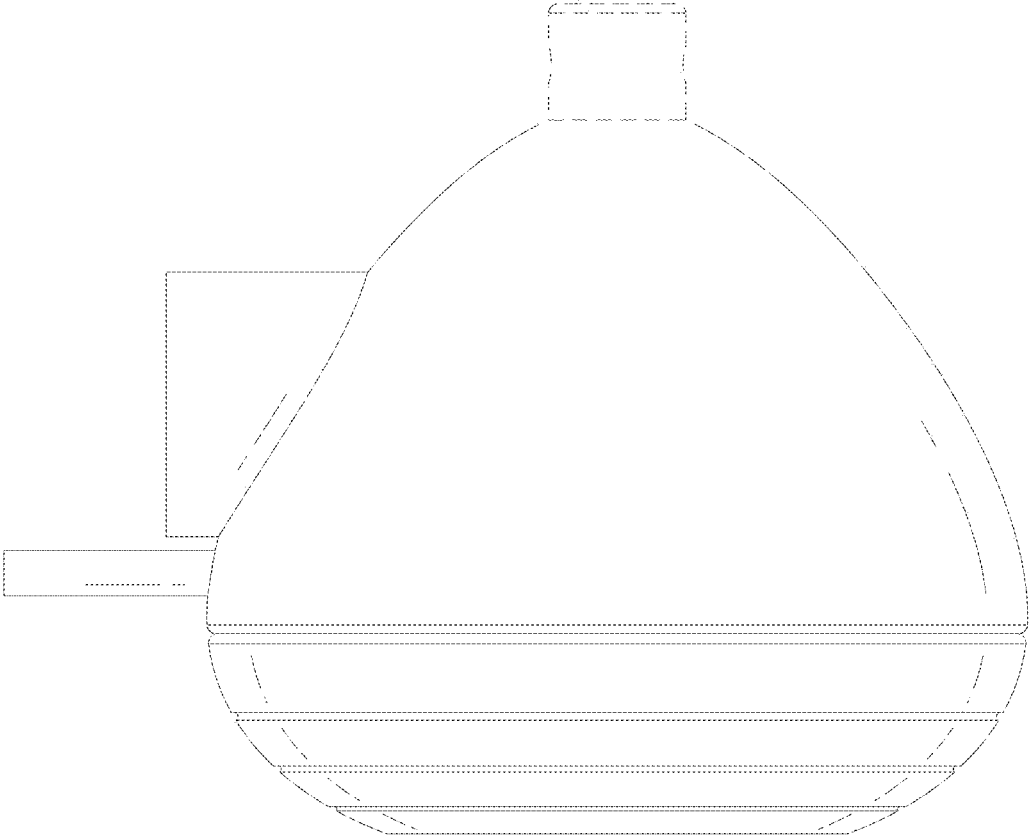


FIG. 4

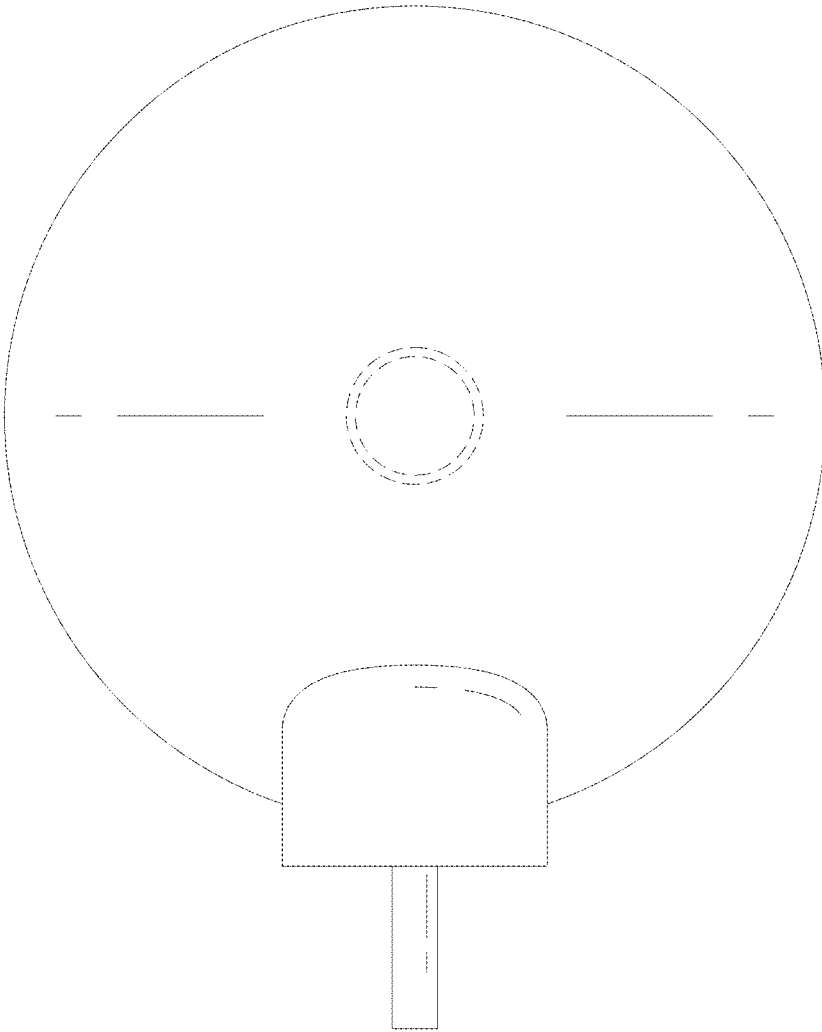


FIG. 5

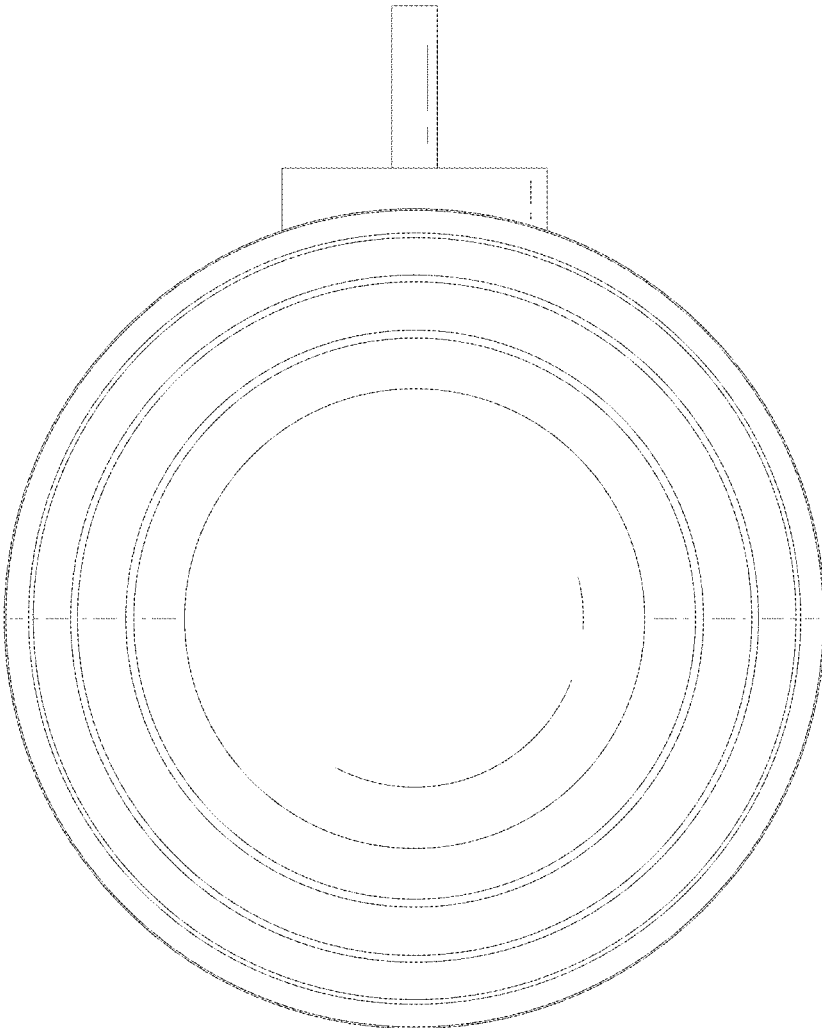


FIG. 6

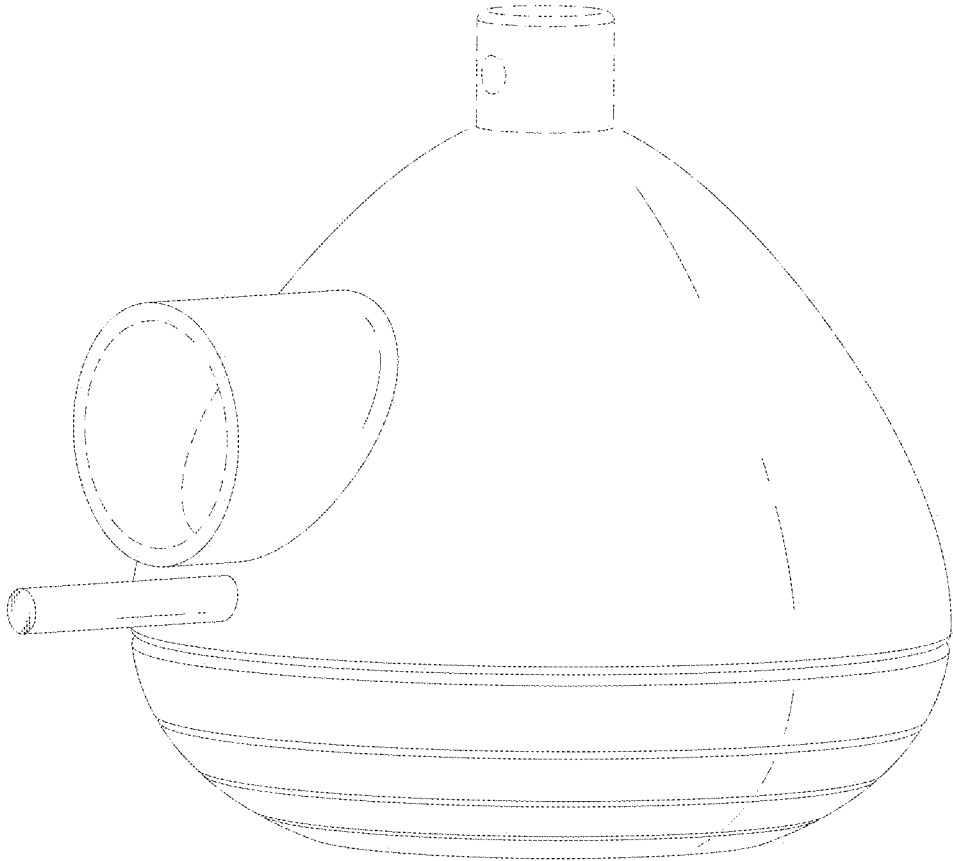


FIG. 7

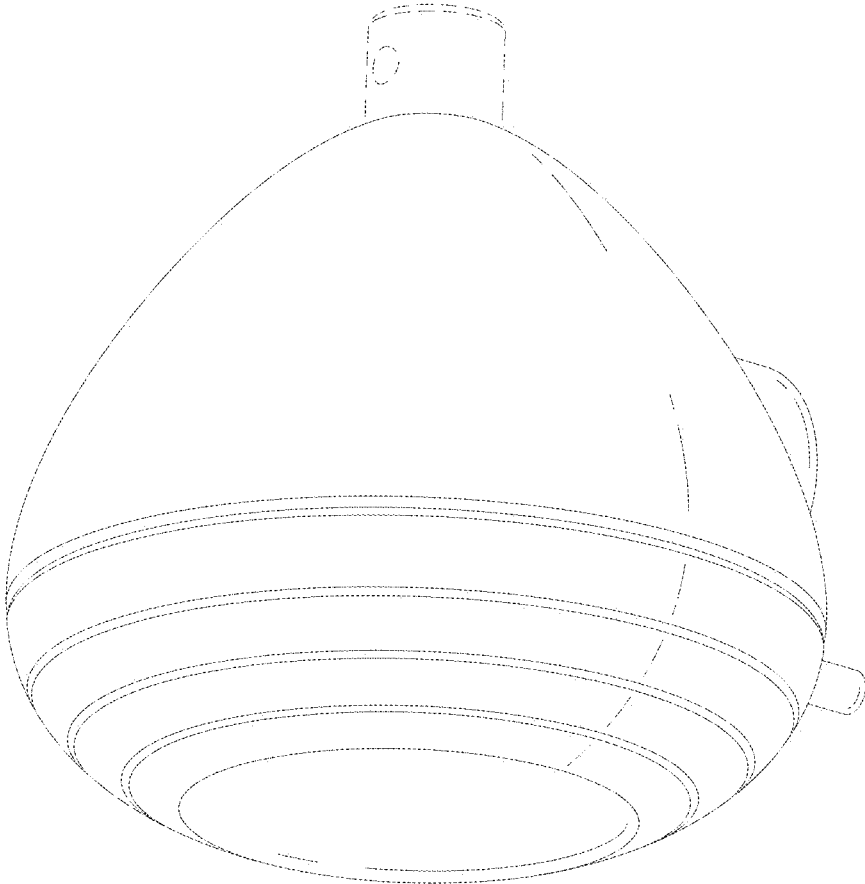


FIG. 8