



US00D422456S

United States Patent [19]
Krueger

[11] **Patent Number: Des. 422,456**
[45] **Date of Patent: ** Apr. 11, 2000**

[54] **CUPCAKE HOLDER**

Primary Examiner—Terry A. Wallace

[76] Inventor: **Judith R Krueger**, 1125 S. Braintree Dr., Schaumburg, Ill. 60193

[57] **CLAIM**

The ornamental design for a cupcake holder, as shown.

[**] Term: **14 Years**

DESCRIPTION

[21] Appl. No.: **29/102,845**

FIG. 1 is a front elevational view of the cupcake holder of the present invention;

[22] Filed: **Apr. 1, 1999**

FIG. 2 is a back elevational view of the cupcake holder of FIG. 1;

[51] **LOC (6) Cl.** **07-06**

[52] **U.S. Cl.** **D7/610**

[58] **Field of Search** D7/601, 610; D6/469, D6/472; 206/45.34, 457; 211/126.2, 128; 220/23.8, 23.83, 318, 505

FIG. 3 is a left side elevational view of the cupcake holder of FIG. 1;

FIG. 4 is a right side elevational view of the cupcake holder of FIG. 1;

FIG. 5 is a top plan view of the cupcake holder of FIG. 1; and,

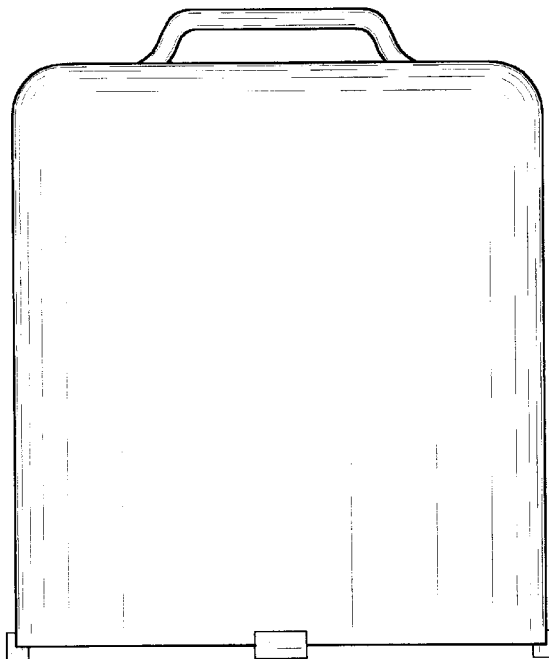
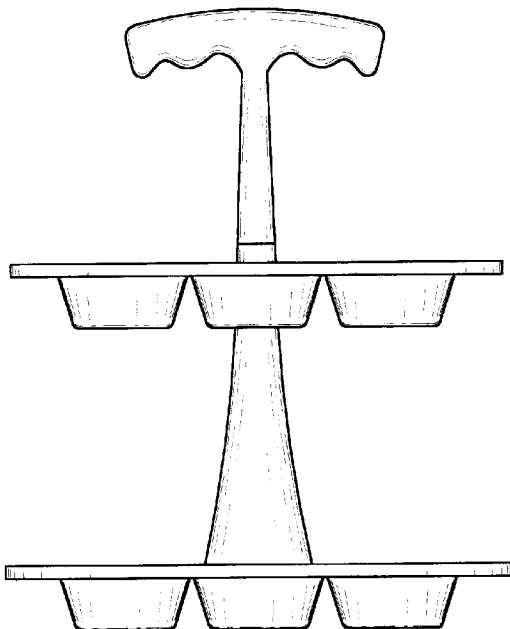
FIG. 6 is a bottom plan view of the cupcake holder of FIG. 1.

[56] **References Cited**

U.S. PATENT DOCUMENTS

D. 348,378	7/1994	Crane	D7/610
D. 400,055	10/1998	Mc Fadzean	D7/610
5,413,801	5/1995	McLain	211/128 X

1 Claim, 3 Drawing Sheets



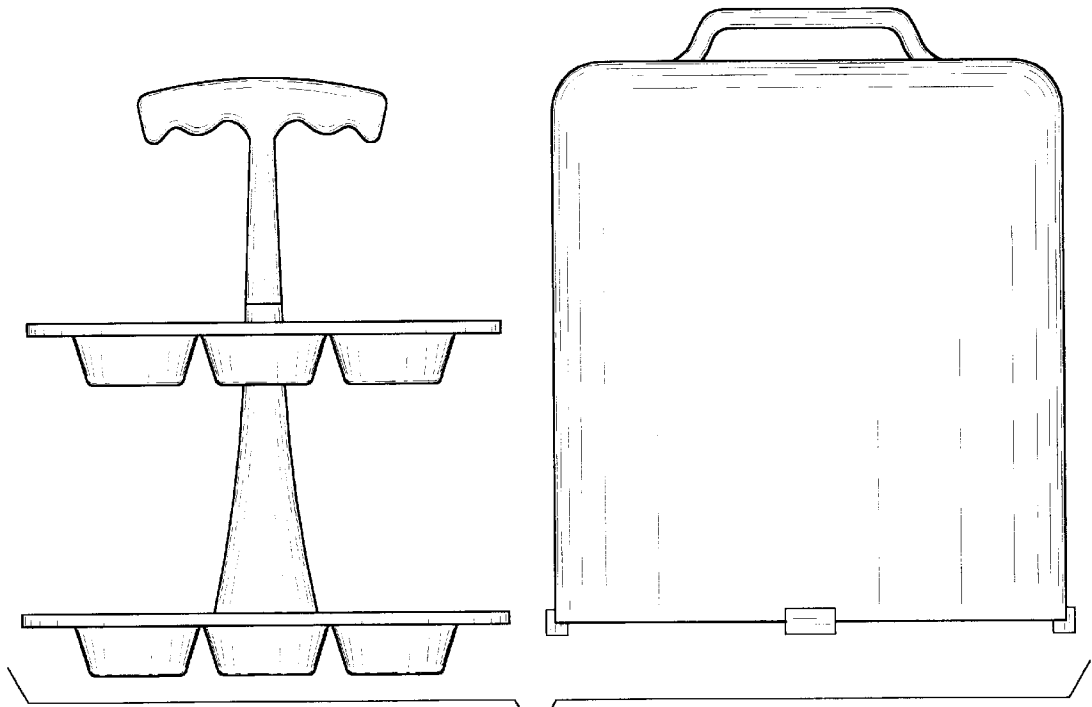


Fig. 1

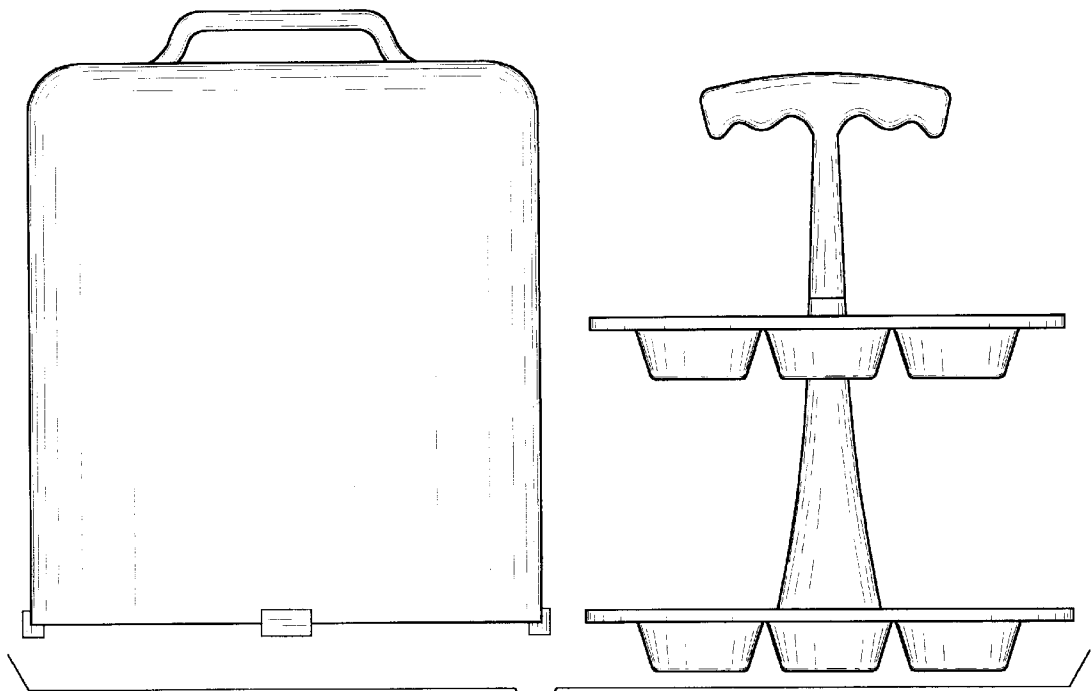


Fig. 2

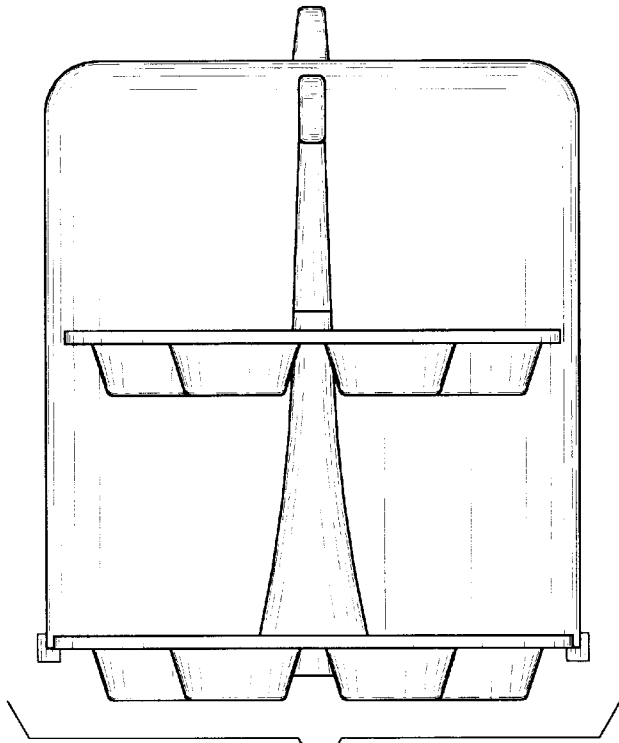


Fig. 3

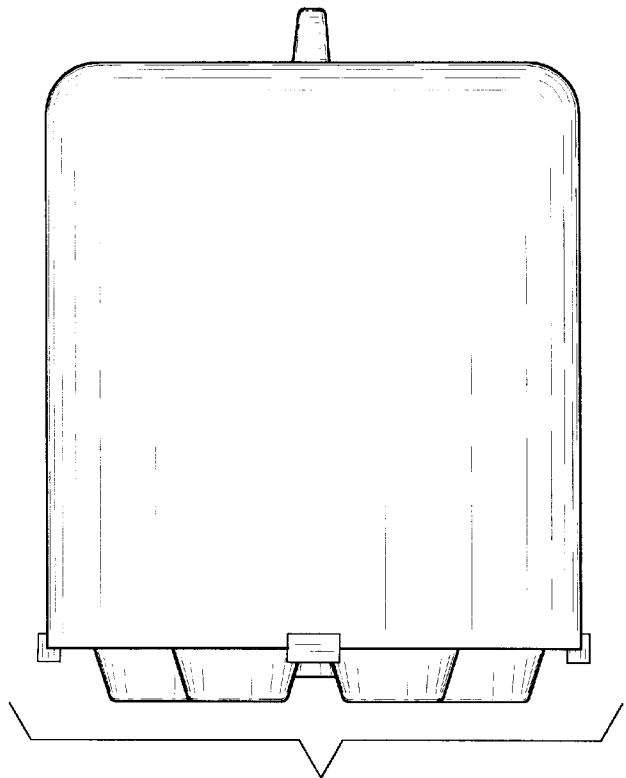


Fig. 4

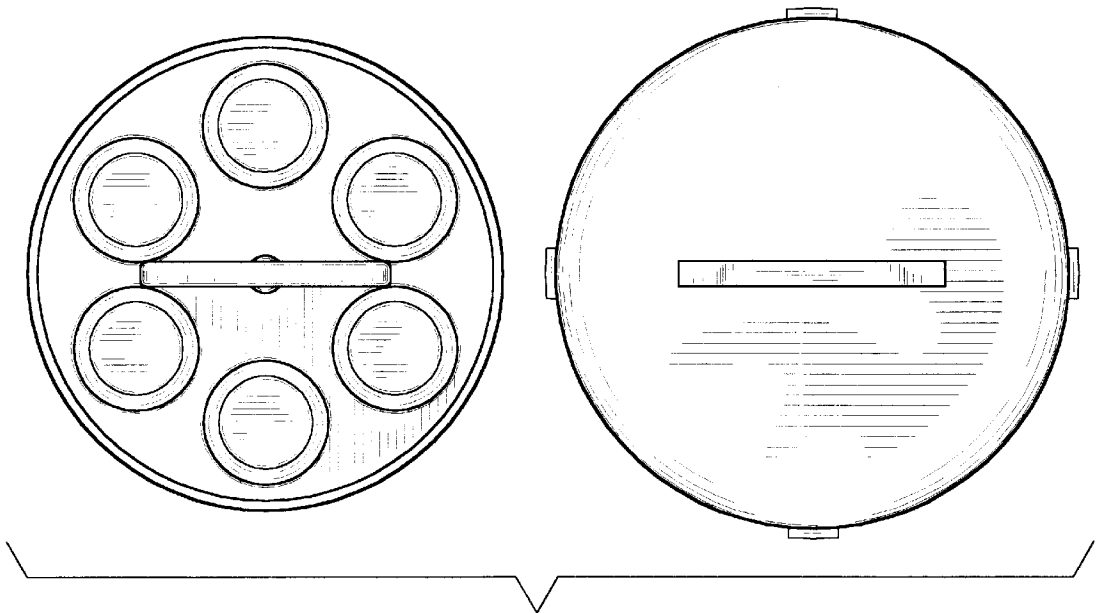


Fig. 5

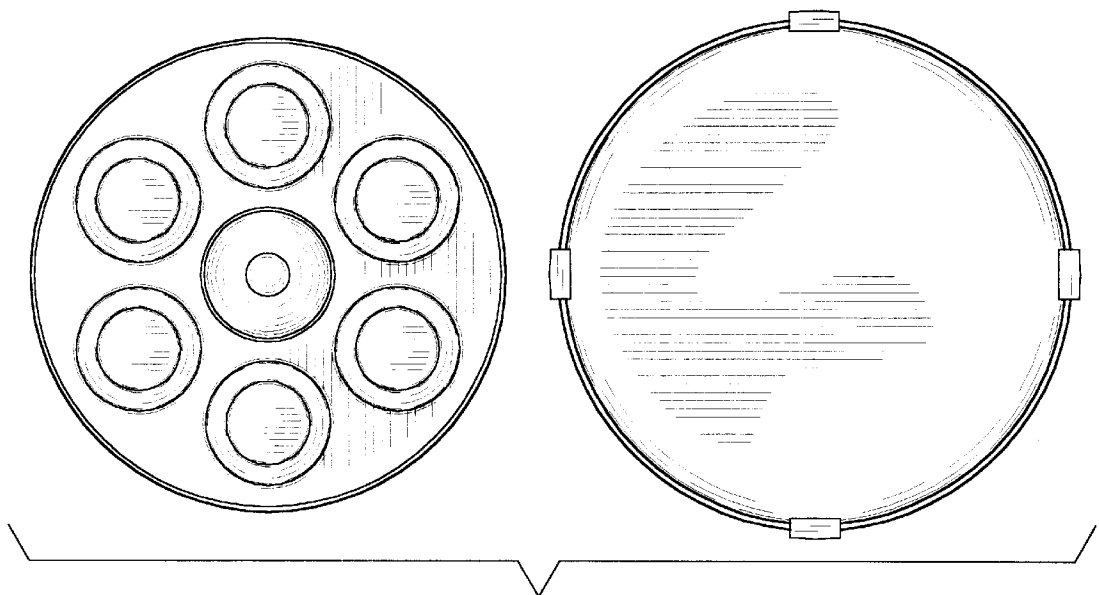


Fig. 6