



US00D691111S

(12) **United States Design Patent**
Lee

(10) **Patent No.:** **US D691,111 S**

(45) **Date of Patent:** **** *Oct. 8, 2013**

(54) **HEADSET**

(76) Inventor: **Nikolas Ian Lee**, Singapore (SG)

(*) Notice: This patent is subject to a terminal disclaimer.

(**) Term: **14 Years**

(21) Appl. No.: **29/363,814**

(22) Filed: **Jun. 15, 2010**

(51) **LOC (9) Cl.** **14-01**

(52) **U.S. Cl.**
USPC **D14/206**

(58) **Field of Classification Search**
USPC D14/205, 206, 223, 147, 192, 227, 188;
181/129, 130, 135; 379/430, 420.01,
379/420.03, 420.04, 433.01, 433.04,
379/433.03; 381/380, 381, 328; 455/90.1,
455/90.3, 569.1, 575.1; D21/517, 333;
D29/112, 122; 2/209, 423

See application file for complete search history.

(56) **References Cited**

U.S. PATENT DOCUMENTS

D411,200 S * 6/1999 Almqvist D14/192
D443,603 S * 6/2001 Taylor et al. D14/206
D449,290 S * 10/2001 Taylor et al. D14/206
6,654,966 B2 * 12/2003 Rolla 2/209

7,245,735 B2 * 7/2007 Han 381/371
D552,077 S * 10/2007 Brunner et al. D14/205
D576,604 S * 9/2008 Suzuki D14/205
D589,492 S * 3/2009 Mistry D14/205
D602,906 S * 10/2009 Groves et al. D14/205
D613,266 S * 4/2010 Barry et al. D14/205
D617,771 S * 6/2010 Groves et al. D14/206
D672,745 S * 12/2012 Abed et al. D14/205

* cited by examiner

Primary Examiner — Paula Greene

(74) *Attorney, Agent, or Firm* — Leif R. Sloan; Sonya C. Harris; Axis Intellectual Capital

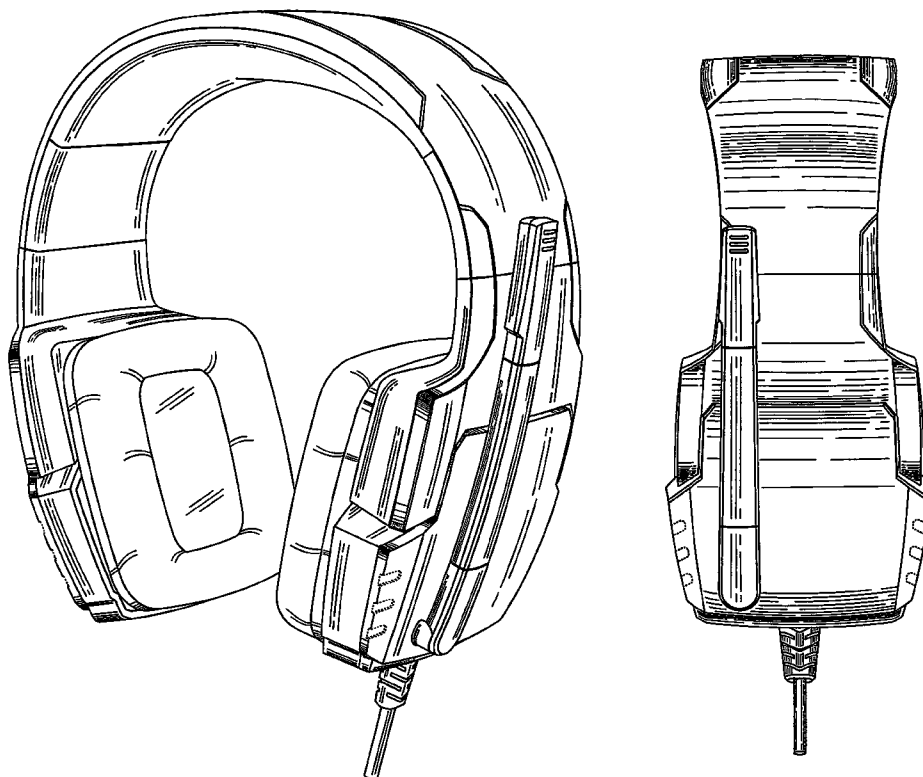
(57) **CLAIM**

The ornamental design for a headset, as shown and described.

DESCRIPTION

FIG. 1 is a perspective view of a headset according to a new design, wherein the opposite front face of the ear cup is a mirror image of the ear cup;
FIG. 2 is a front view of the headset of FIG. 1;
FIG. 3 is a rear view of the headset of FIG. 1;
FIG. 4 is a left side view of the headset of FIG. 1;
FIG. 5 is a right side view of the headset of FIG. 1;
FIG. 6 is a top plan view of the headset of FIG. 1; and
FIG. 7 is a bottom plan view of the headset of FIG. 1.
The broken lines form no part of the claimed design.

1 Claim, 7 Drawing Sheets



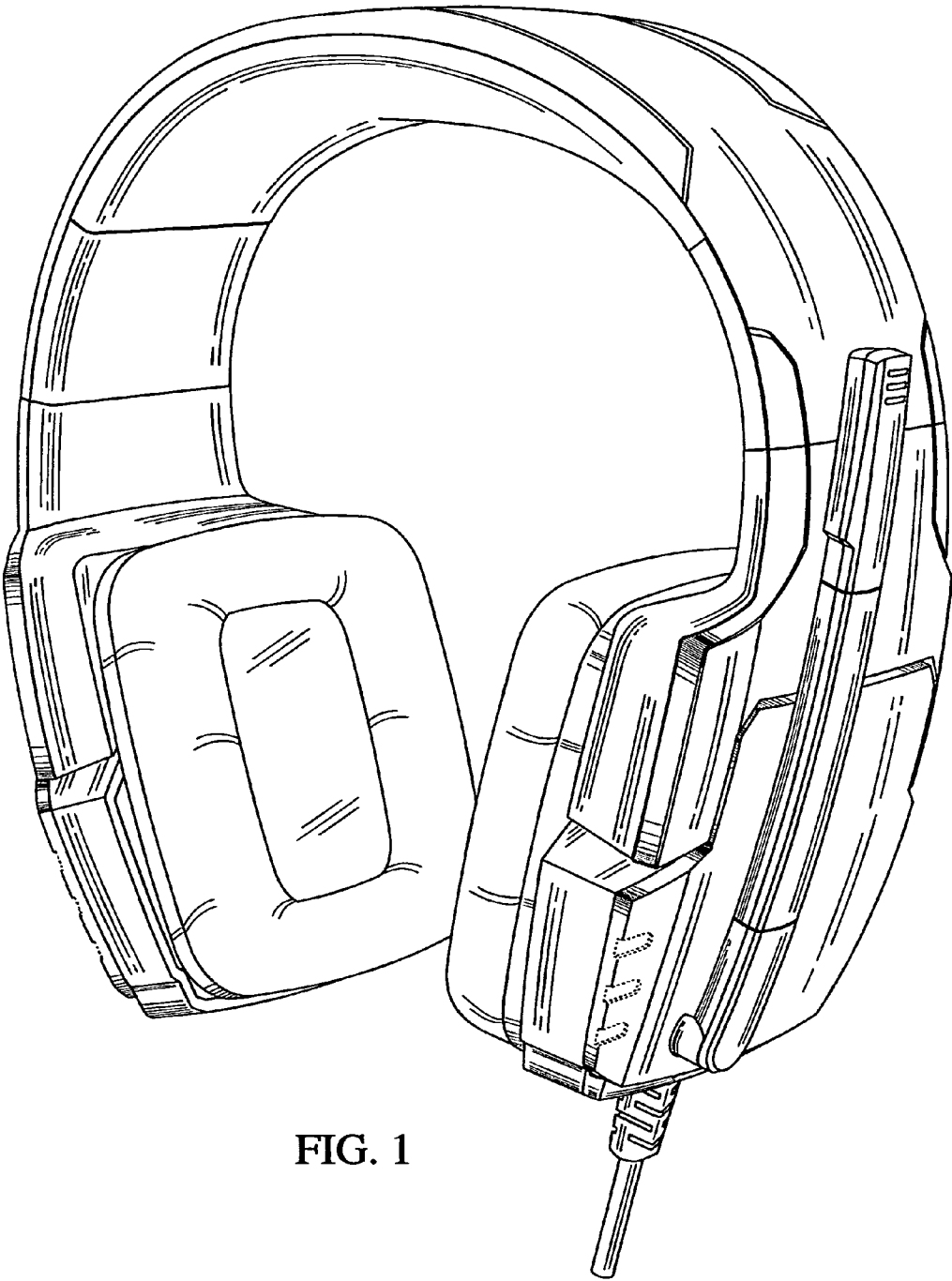


FIG. 1

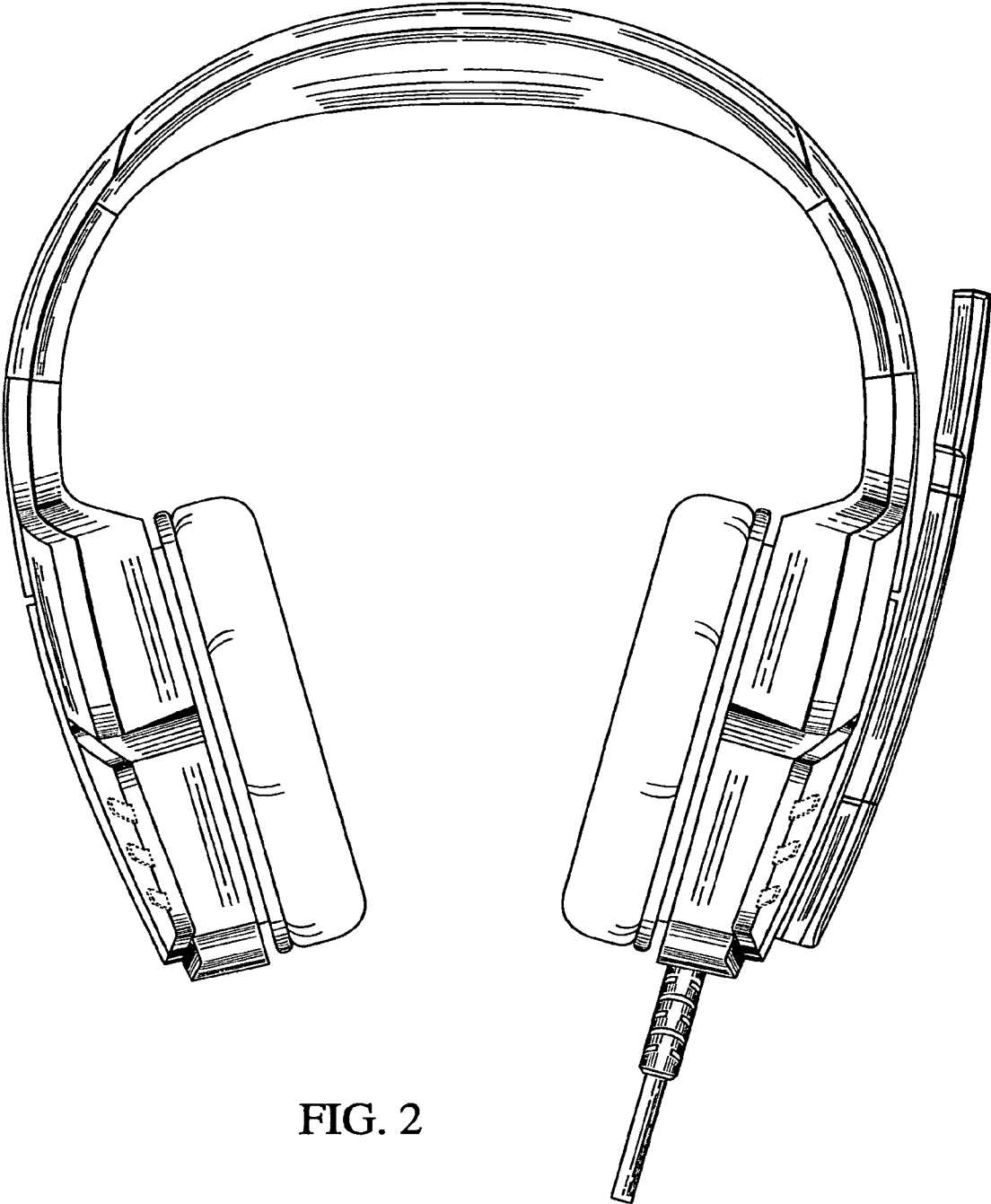


FIG. 2

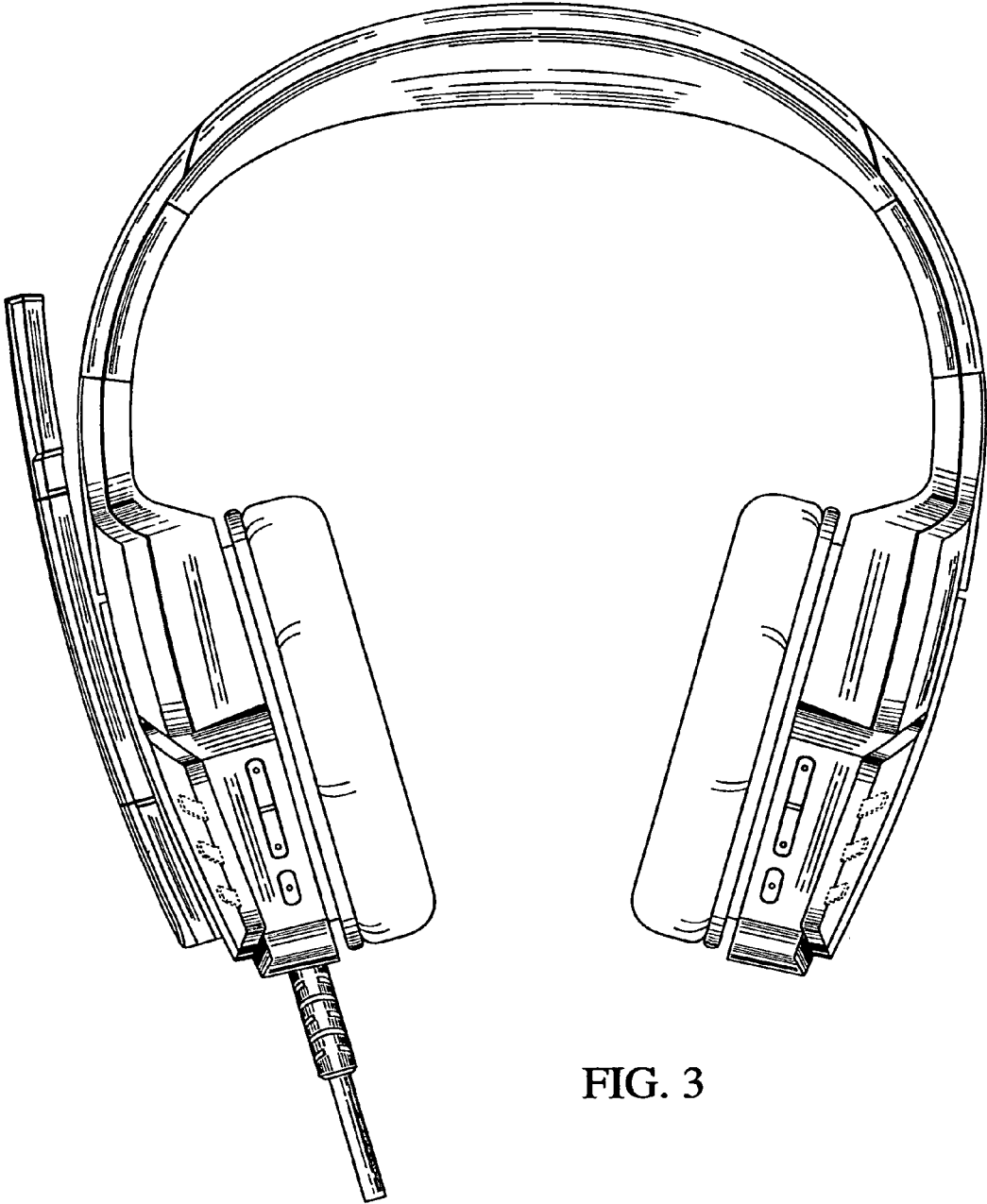


FIG. 3

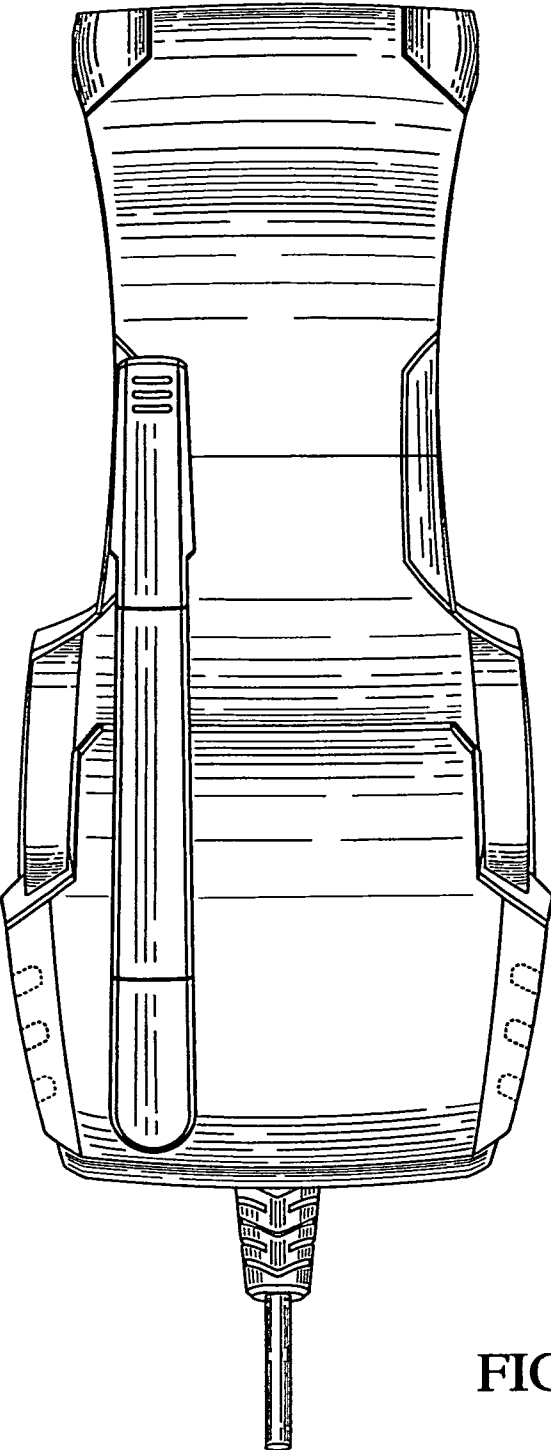


FIG. 4

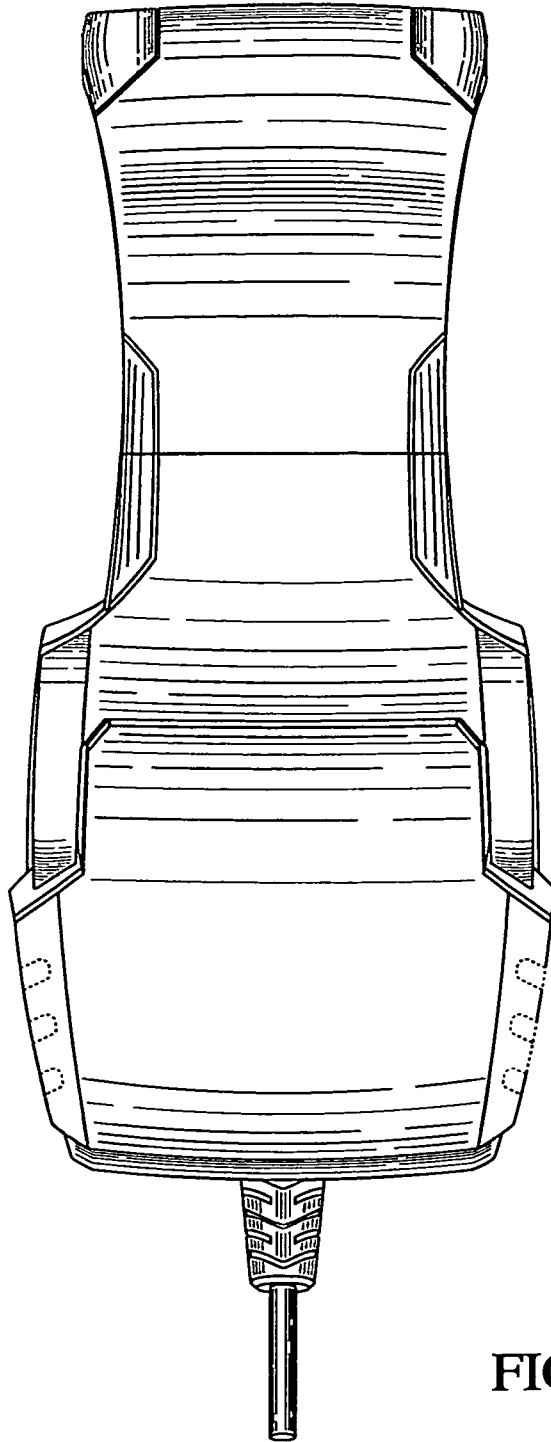


FIG. 5

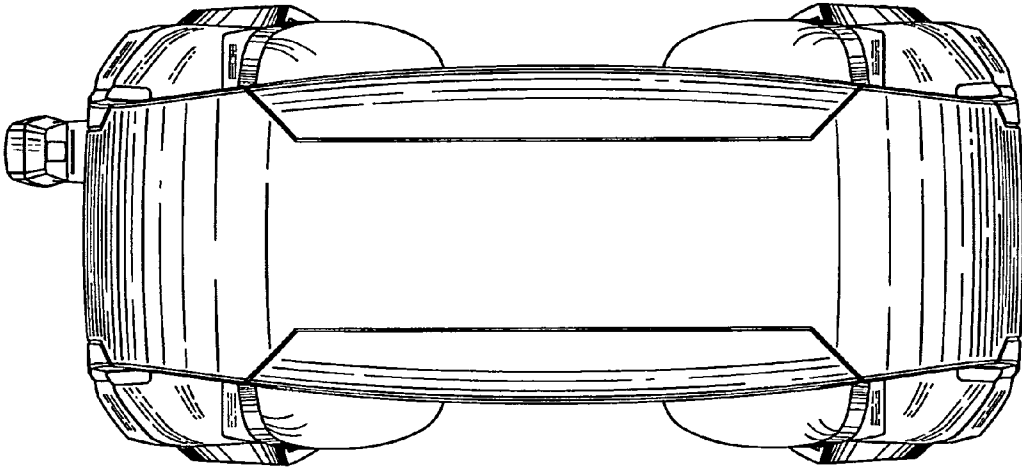


FIG. 6

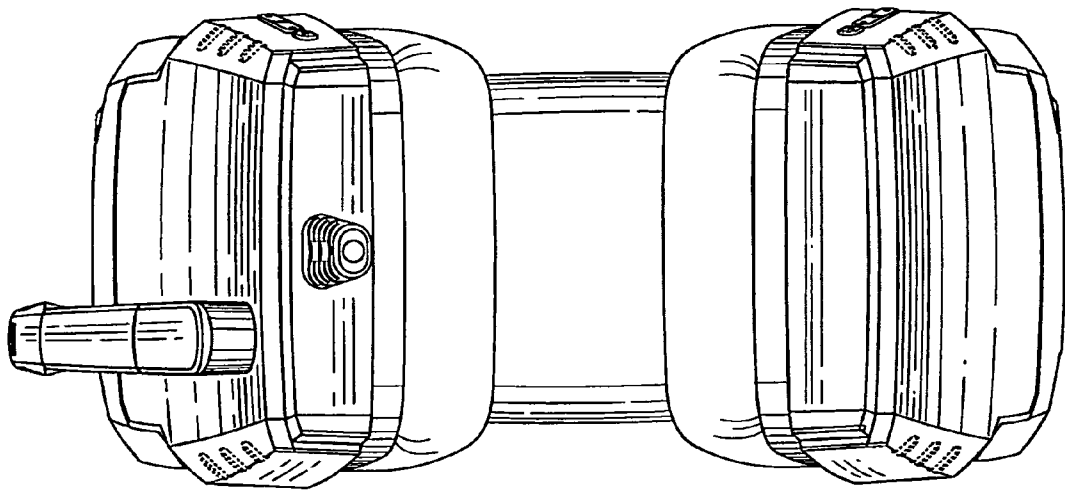


FIG. 7