



US00D375653S

# United States Patent [19]

[11] Patent Number: **Des. 375,653**

Ferris

[45] Date of Patent: **\*\*Nov. 19, 1996**

[54] **COVER FOR FOOD CONTAINER**

[75] Inventor: **Ian Ferris**, Finchampstead, England

[73] Assignee: **Dart Industries Inc.**, Deerfield, Ill.

[\*\*] Term: **14 Years**

[21] Appl. No.: **43,924**

[22] Filed: **Sep. 28, 1995**

[52] U.S. Cl. .... **D7/392.1; D7/391**

[58] Field of Search ..... **D7/392.1, 391, D7/392, 387, 629, 601, 602, 538, 542; D9/435, 428, 454; 220/326, 575, 23.8, 556, 213**

[56] **References Cited**

**U.S. PATENT DOCUMENTS**

D. 175,202	7/1955	Tupper .....	D7/629
D. 210,515	3/1968	Walter .....	D9/435
D. 241,599	9/1976	Croyle .....	D7/629
D. 250,505	12/1978	Seager .....	D7/392.1
D. 253,331	11/1979	Olschewski .	
D. 289,719	5/1987	Daenen et al. ....	D7/392.1
D. 291,041	7/1987	Grange .	
D. 308,941	7/1990	Kong .	
D. 321,456	11/1995	Wolff .....	D7/391

D. 325,847	5/1992	Wolff .	
D. 350,880	9/1994	Van Valkenburg et al. ....	D7/542 X
D. 367,361	2/1996	Kobilarcik et al. ....	D9/435 X
3,307,603	3/1967	Swett .....	D7/629 X
3,397,823	8/1968	Kirkpatrick .....	22/326
3,424,342	1/1976	Scopp et al. ....	D9/428
4,412,630	11/1983	Daenen .	

*Primary Examiner*—M. N. Pandozzi  
*Attorney, Agent, or Firm*—John A. Doninger

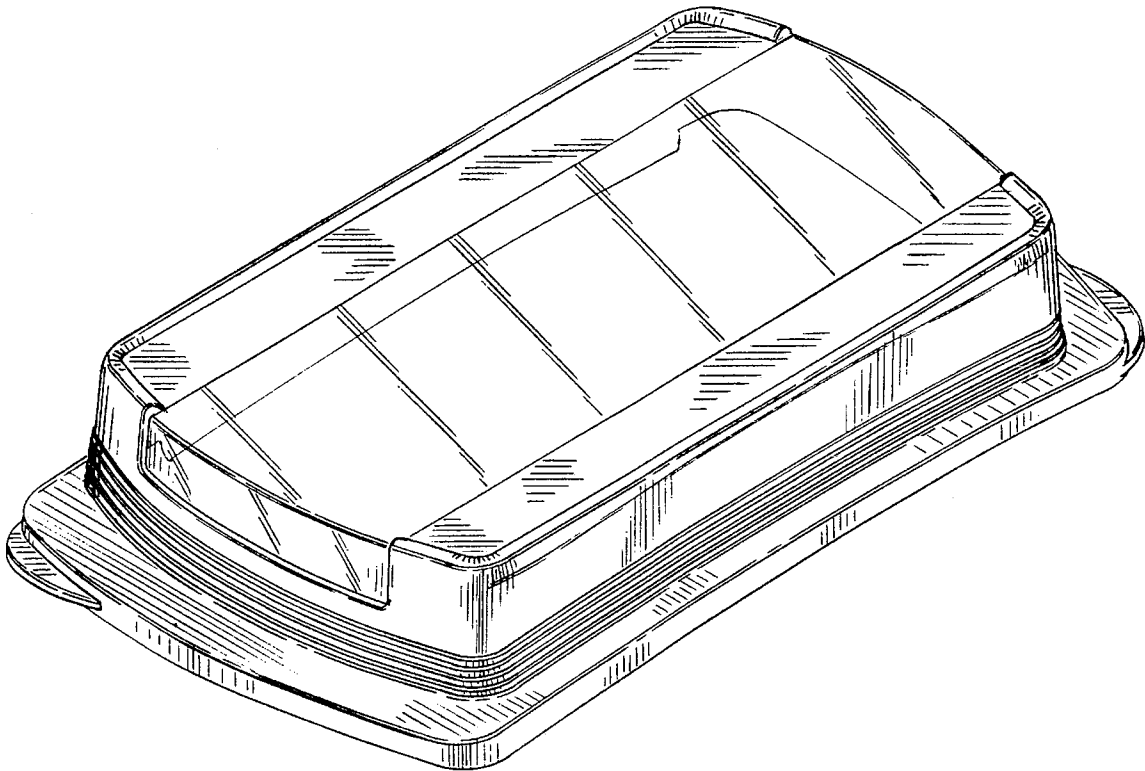
[57] **CLAIM**

The ornamental design for a cover for food container, as shown and described.

**DESCRIPTION**

FIG. 1 is a top, front and side perspective view of a cover for food container showing my new design;  
FIG. 2 is a left side elevational view thereof;  
FIG. 3 is a right side elevational view thereof;  
FIG. 4 is a front view thereof;  
FIG. 5 is a rear view thereof;  
FIG. 6 is a top plan thereof;  
FIG. 7 is a bottom plan thereof;  
FIG. 8 is a cross-section view thereof taken on line 8—8 in FIG. 6; and,  
FIG. 9 is a cross-section view thereof taken on line 9—9 in FIG. 6.

**1 Claim, 5 Drawing Sheets**



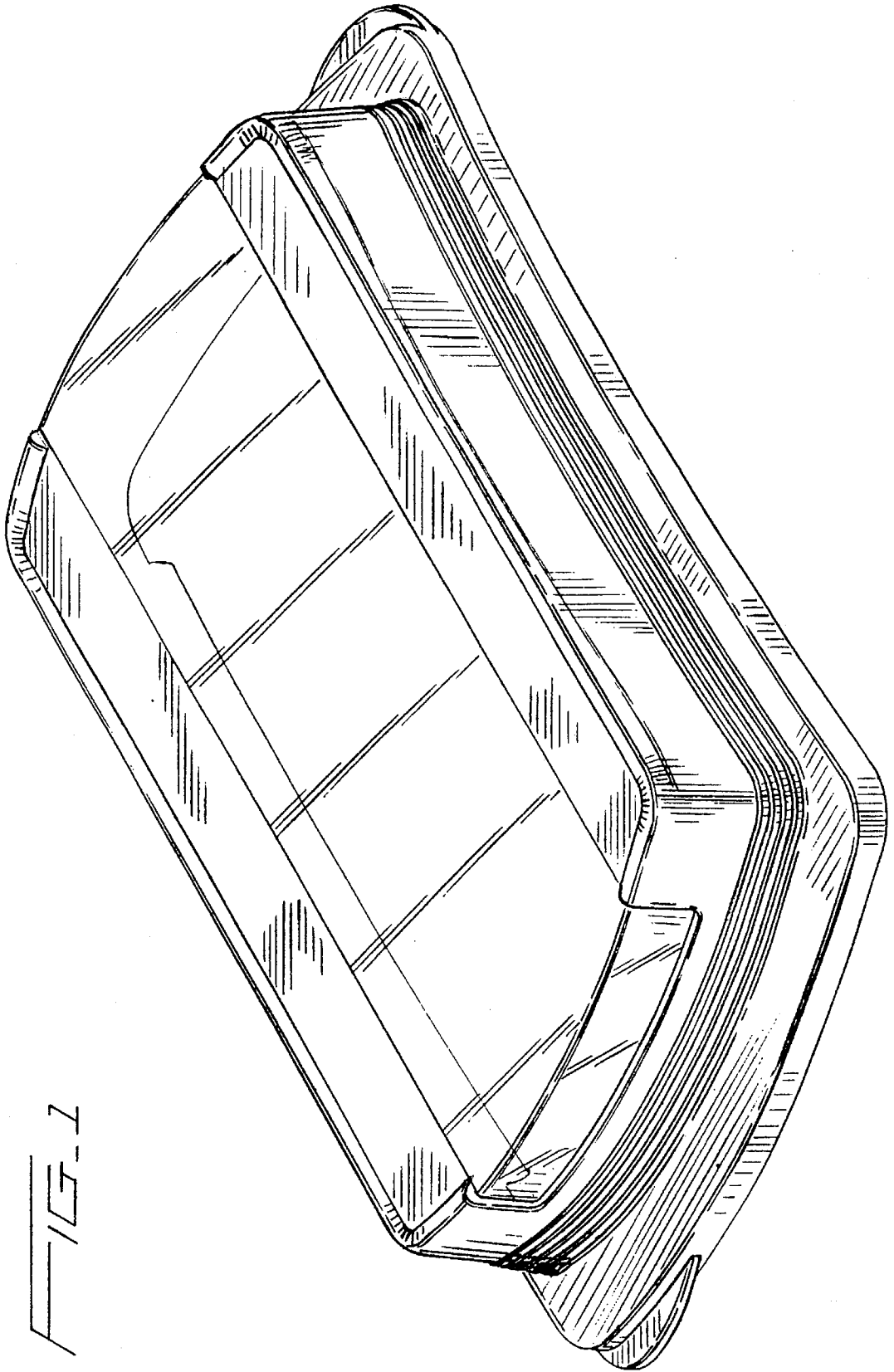


FIG. 1

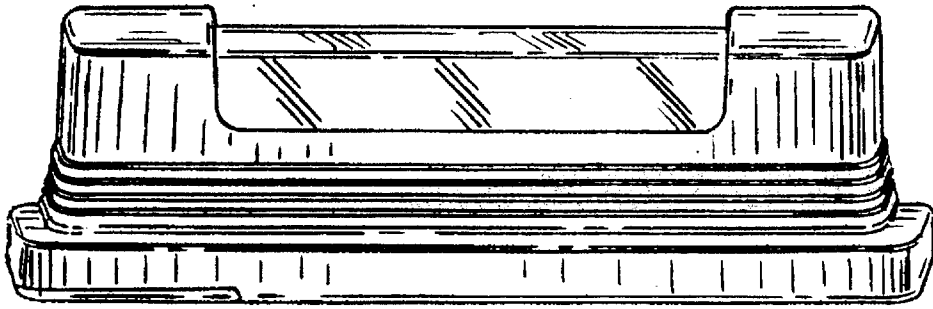


FIG. 1

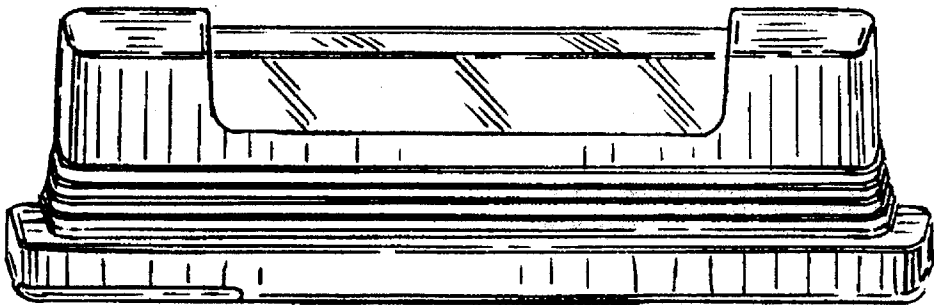


FIG. 2

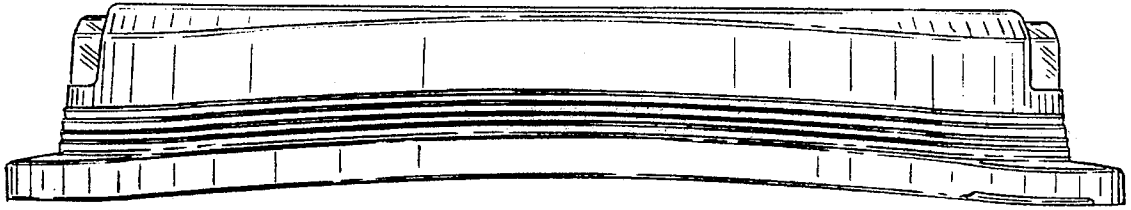


FIG. 4

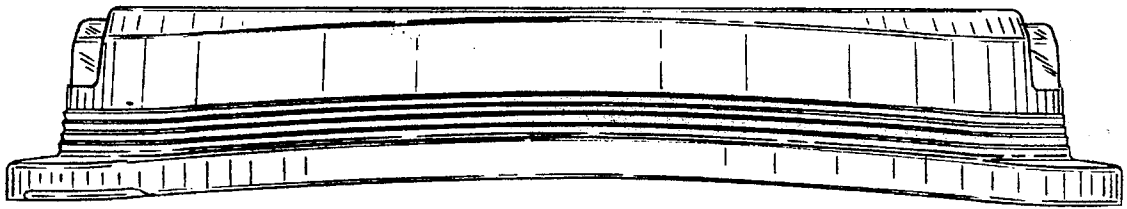


FIG. 5

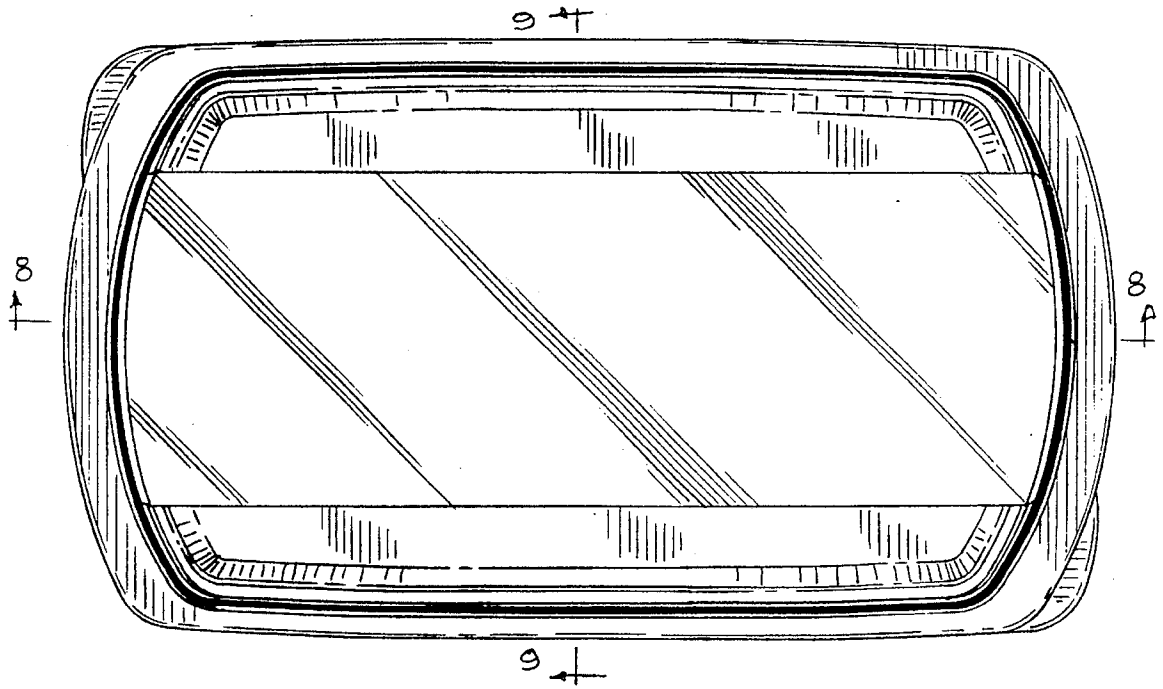


FIG. 6

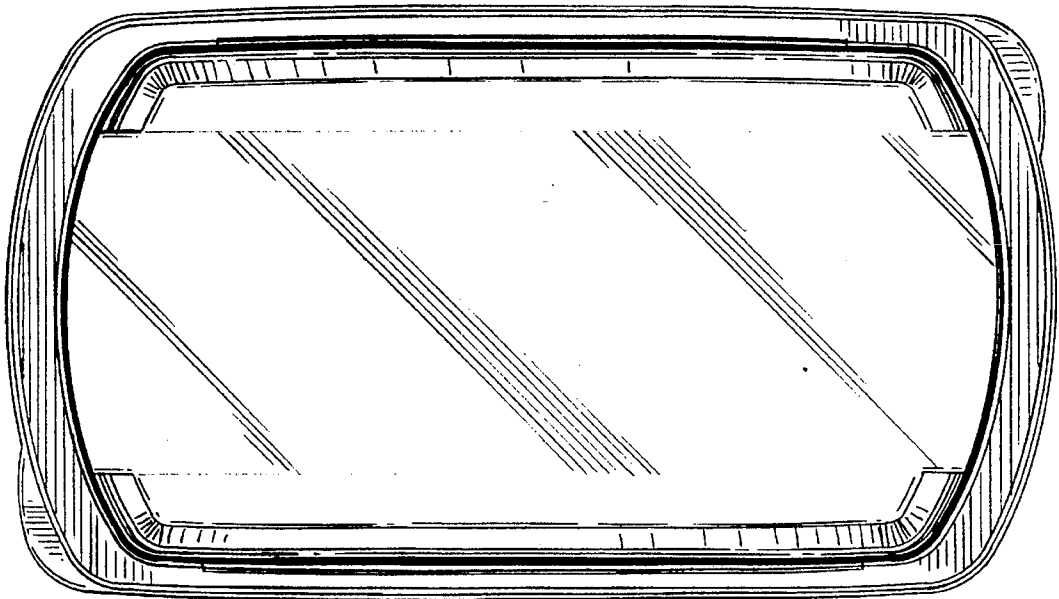


FIG. 7

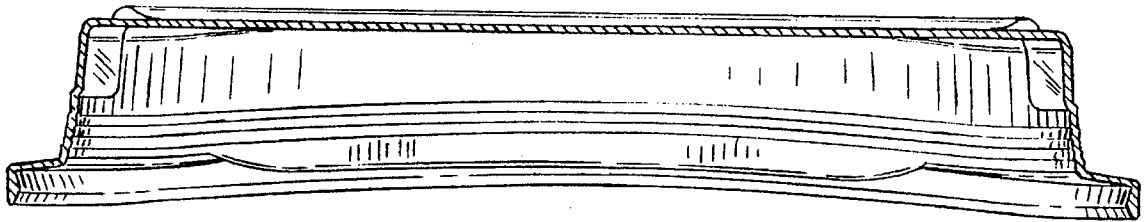


FIG. 8

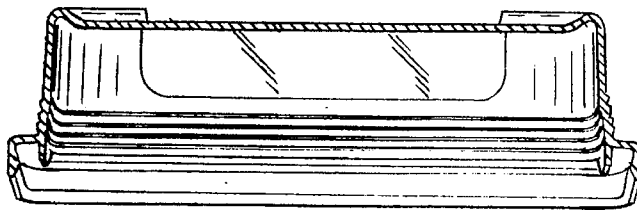


FIG. 9