



US00D717446S

(12) **United States Design Patent**  
**Lu et al.**

(10) **Patent No.:** **US D717,446 S**

(45) **Date of Patent:** **\*\* Nov. 11, 2014**

(54) **ELECTROCARDIOGRAPH**  
(71) Applicant: **Shenzhen Mindray Bio-Medical Electronics Co., Ltd.**, Shenzhen (CN)

(72) Inventors: **Hairong Lu**, Shenzhen (CN); **Xiang Zhou**, Shenzhen (CN); **Shen Luo**, Shenzhen (CN); **Wenhui Zhou**, Shenzhen (CN)

(73) Assignee: **Shenzhen Mindray Bio-Medical Electronics Co., Ltd.**, Shenzhen (CN)

(\*\*) Term: **14 Years**

(21) Appl. No.: **29/468,300**

(22) Filed: **Sep. 27, 2013**

(51) **LOC (10) Cl.** ..... **24-01**

(52) **U.S. Cl.**  
USPC ..... **D24/167**

(58) **Field of Classification Search**  
USPC ..... D24/165-168, 186, 187; 600/508, 509, 600/513, 515, 528  
See application file for complete search history.

(56) **References Cited**

U.S. PATENT DOCUMENTS

D273,325 S \* 4/1984 Macquignon ..... D24/167  
D305,796 S \* 1/1990 Forland et al. .... D24/167  
D359,561 S \* 6/1995 McDonough et al. .... D24/167  
D380,833 S \* 7/1997 Mahoney ..... D24/167

D380,834 S \* 7/1997 Mahoney ..... D24/167  
D544,099 S \* 6/2007 Umeda et al. .... D24/167  
D609,351 S \* 2/2010 Wagener et al. .... D24/186  
D612,503 S \* 3/2010 Johnston et al. .... D24/186  
D616,549 S \* 5/2010 Sudhir ..... D24/167  
D697,214 S \* 1/2014 Rosenfeldt et al. .... D24/186  
2012/0289788 A1 \* 11/2012 Jain et al. .... 600/301

\* cited by examiner

*Primary Examiner* — Anhdao Doan

(74) *Attorney, Agent, or Firm* — Kory D. Christensen; Stoel Rives LLP

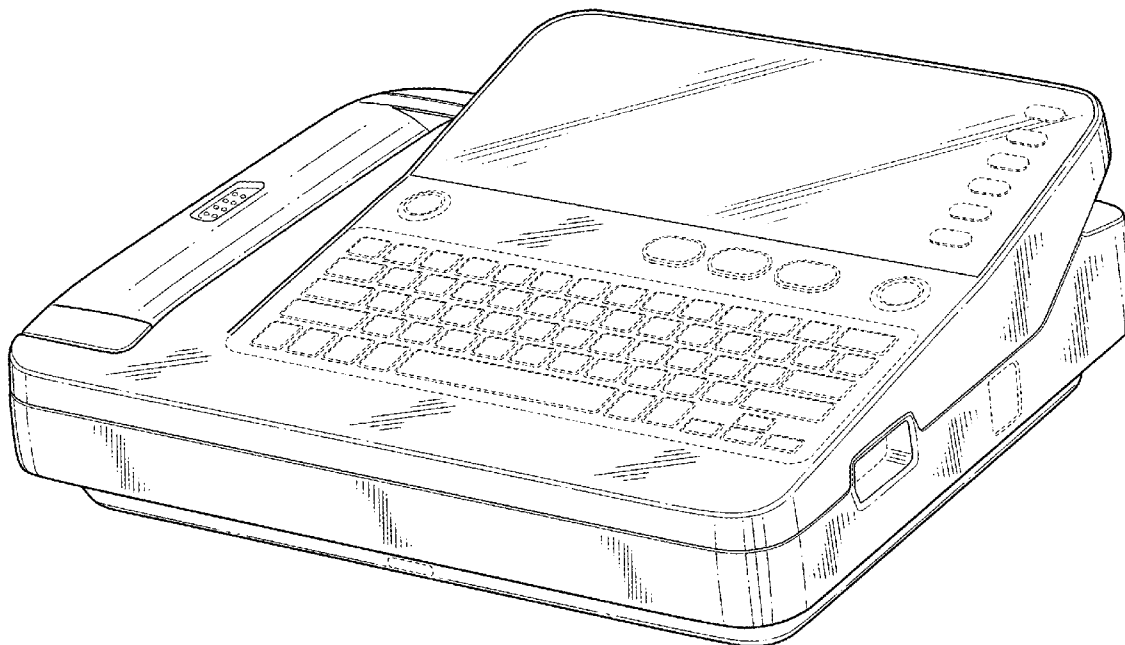
(57) **CLAIM**

The ornamental design for an electrocardiograph, as shown and described.

**DESCRIPTION**

FIG. 1 is a front perspective of an embodiment of an electrocardiograph showing our new design; FIG. 2 is a rear perspective view thereof; FIG. 3 is a top plan view thereof; FIG. 4 is a bottom plan view thereof; FIG. 5 is a front elevation view thereof; FIG. 6 is a rear elevation view thereof. FIG. 7 is a left side elevation view thereof; and, FIG. 8 is a right side elevation view thereof. The broken lines immediately adjacent the shaded areas represent the bounds of the claimed design, while all other broken lines are directed to environment and are for illustrative purposes only; the broken lines form no part of the claimed design.

**1 Claim, 6 Drawing Sheets**



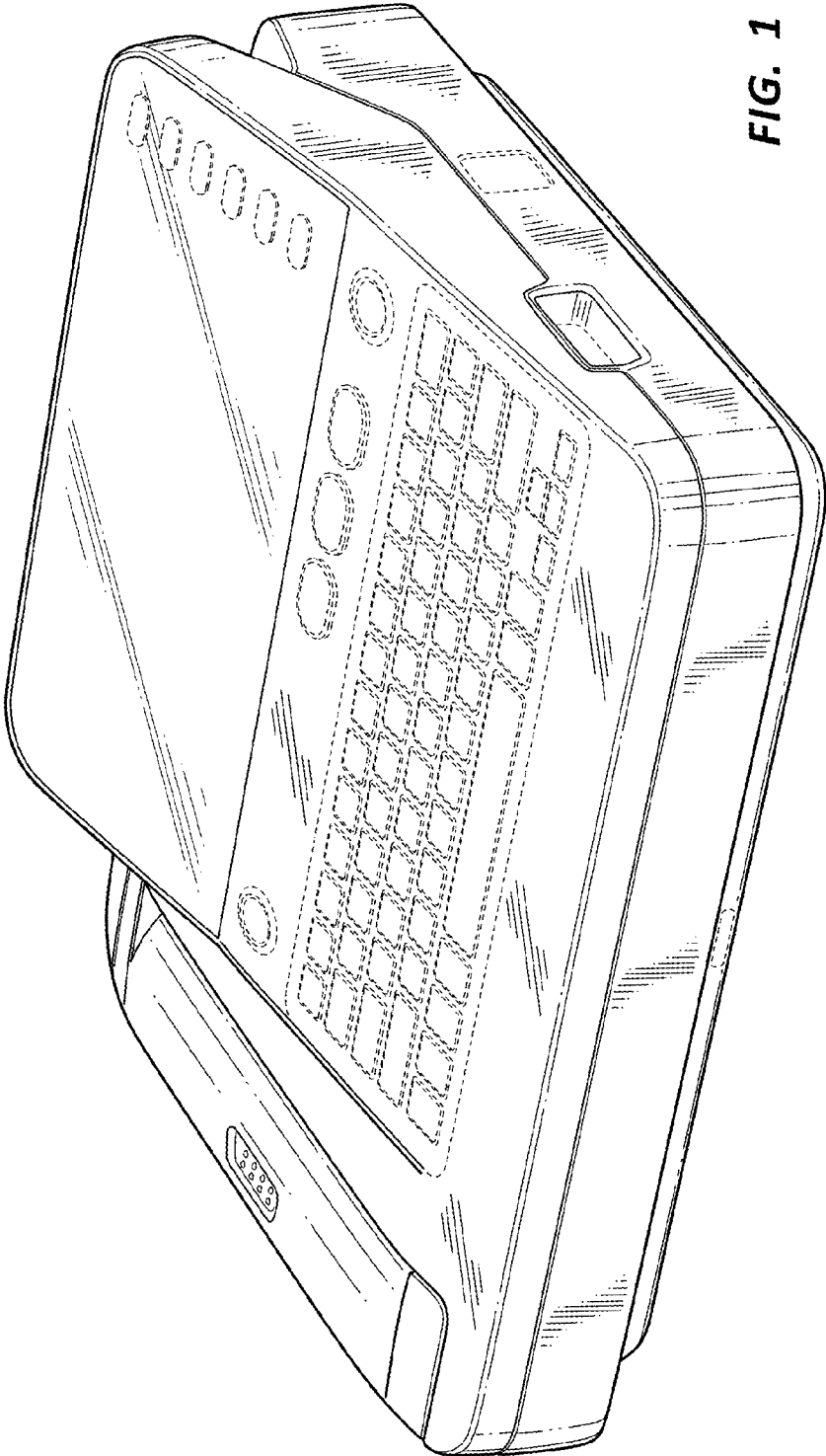


FIG. 1

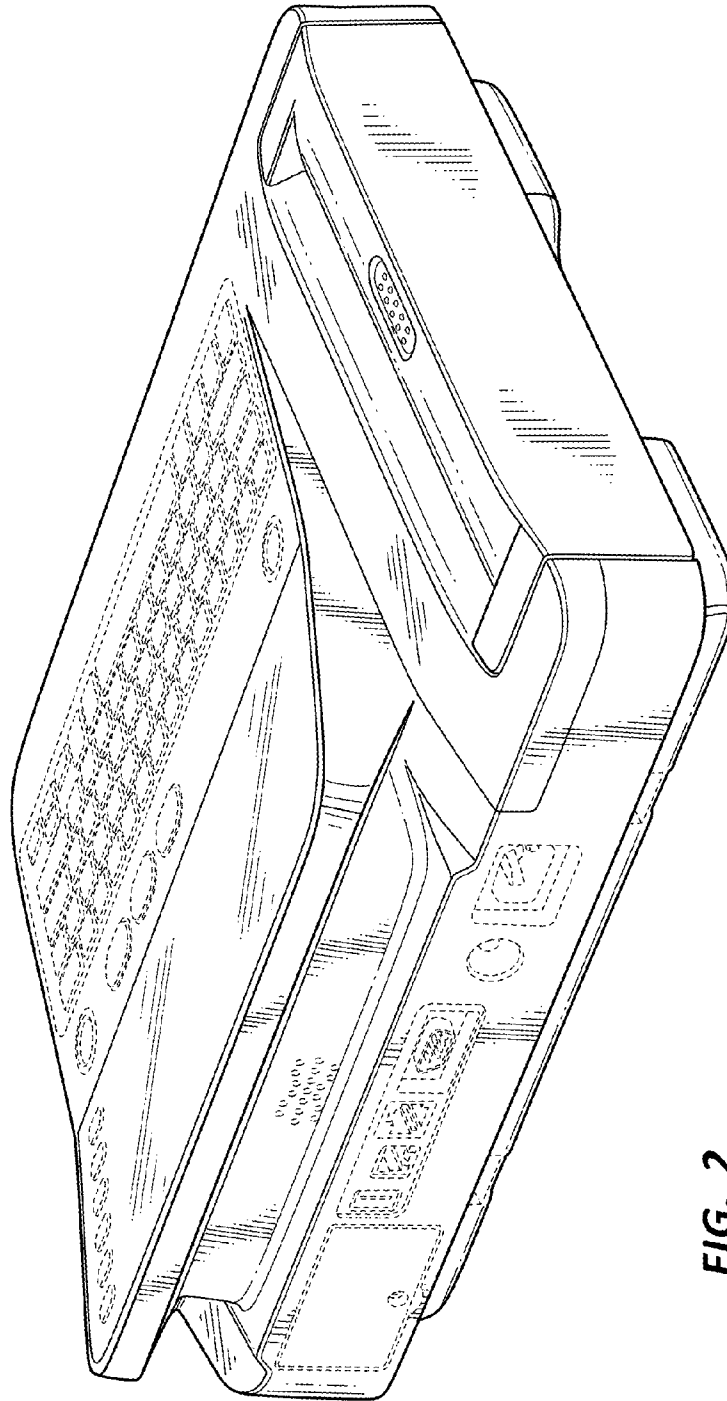


FIG. 2

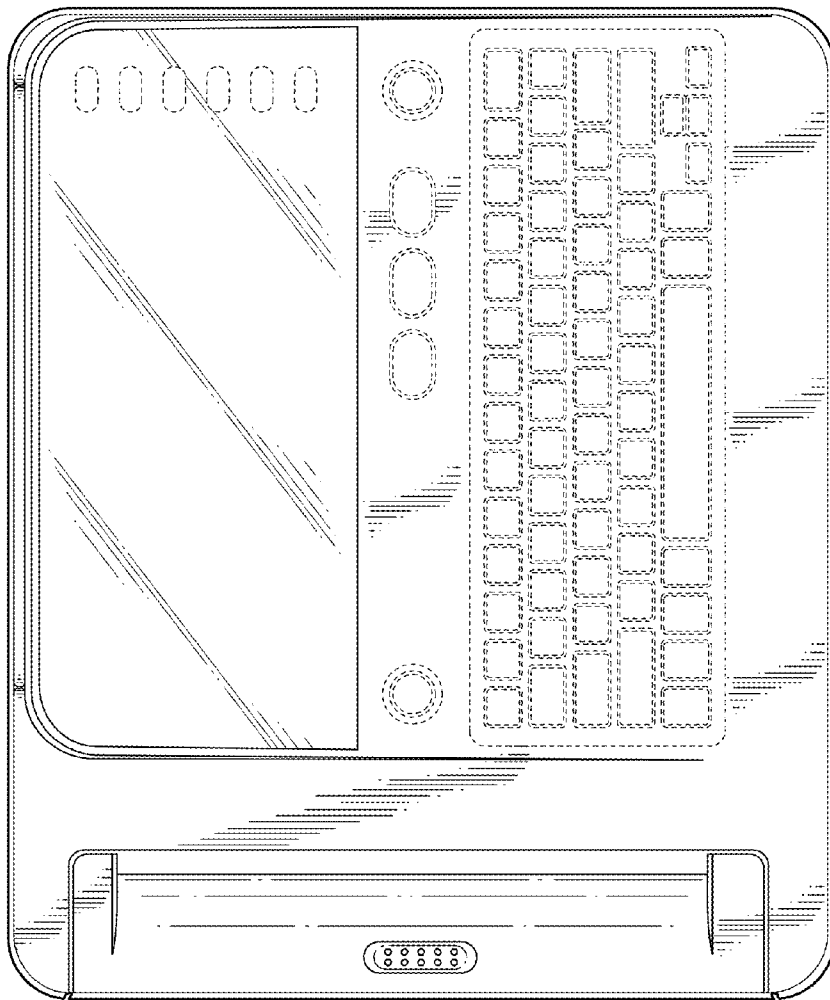


FIG. 3

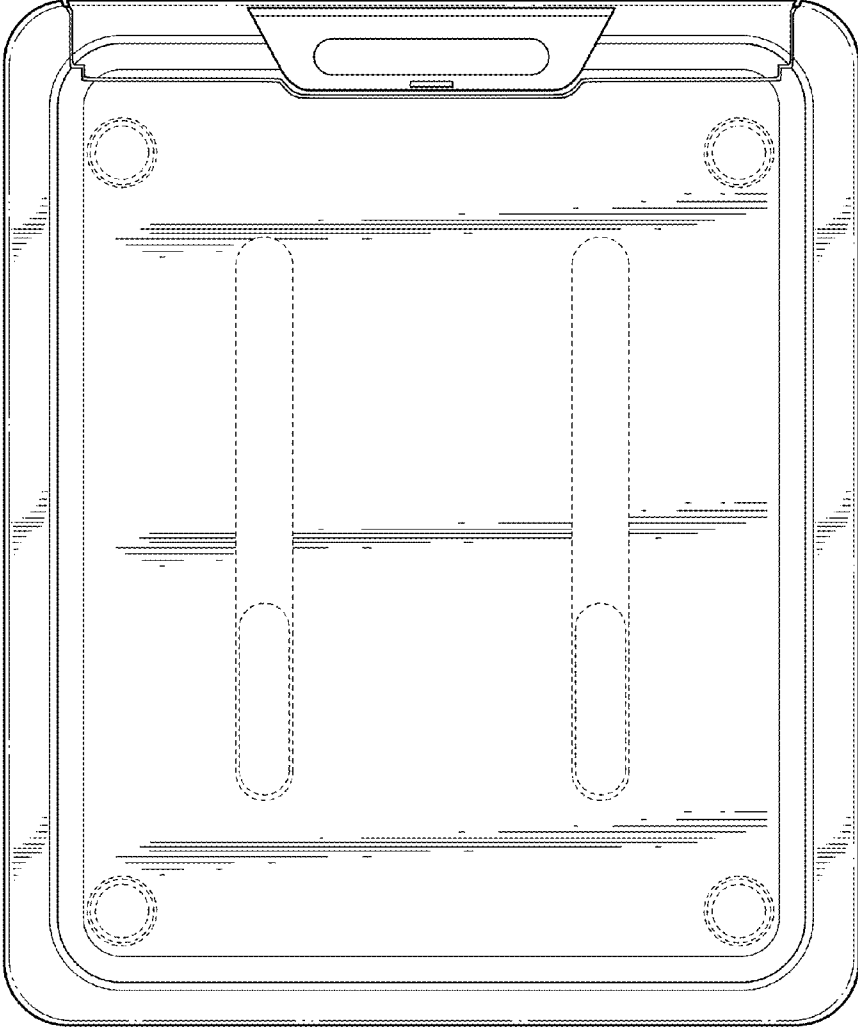


FIG. 4

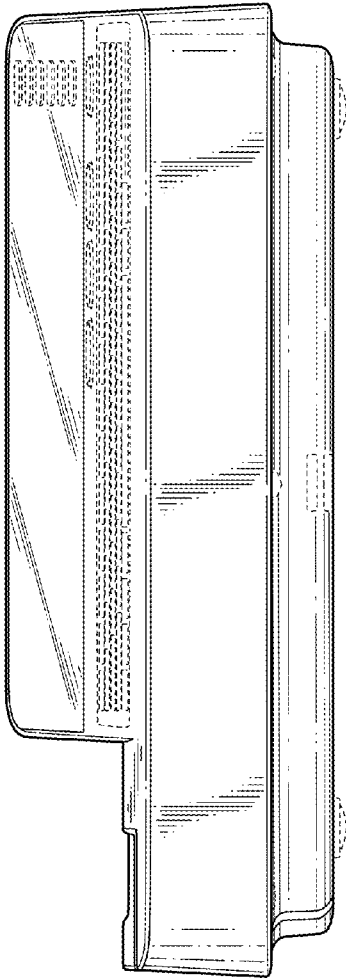


FIG. 5

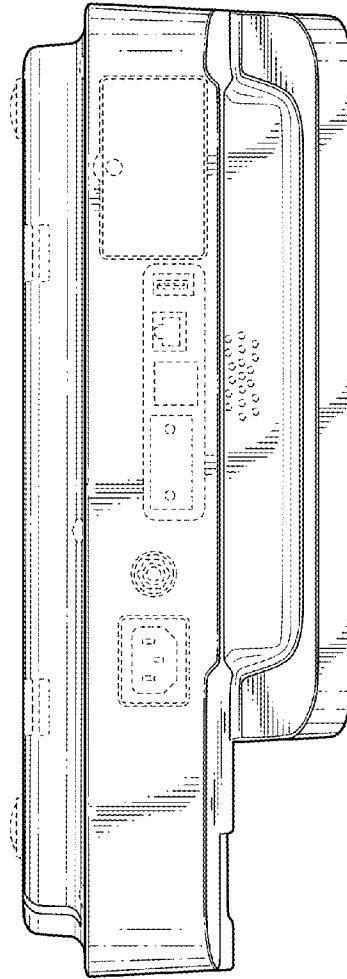


FIG. 6

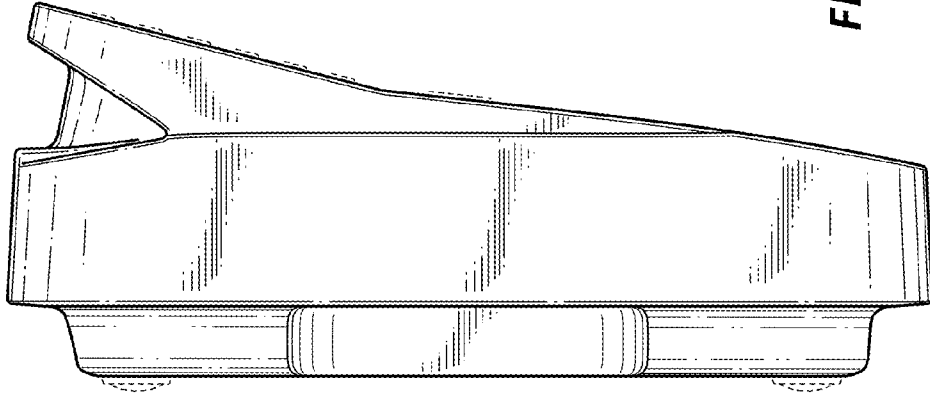


FIG. 8

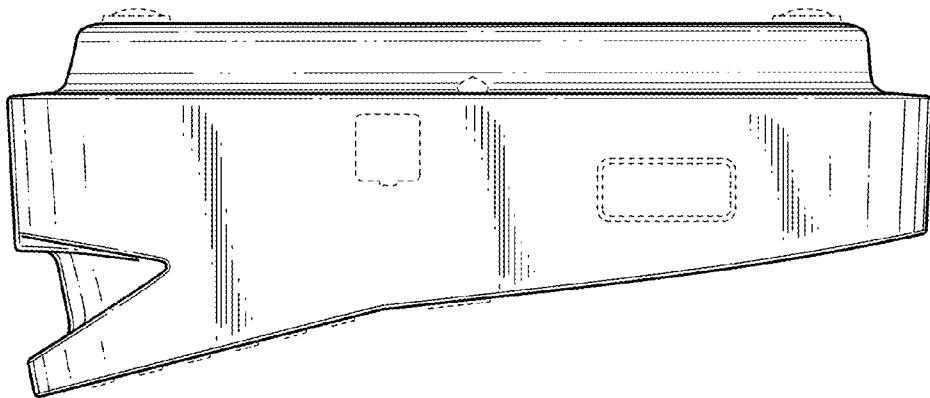


FIG. 7