



US00D936429S

(12) **United States Design Patent** (10) **Patent No.:** **US D936,429 S**
Fernandez Santana (45) **Date of Patent:** **** Nov. 23, 2021**

(54) **PORTABLE COOLER**
(71) Applicant: **POLISUR 2000, S.L.**, Lepe/Huelva (ES)
(72) Inventor: **Jose Luis Fernandez Santana**, Lepe/Huelva (ES)
(73) Assignee: **POLISUR 2000, S.L.**, Lepe/Huelva (ES)
(**) Term: **15 Years**
(21) Appl. No.: **29/715,873**
(22) Filed: **Dec. 5, 2019**
(30) **Foreign Application Priority Data**

Jul. 2, 2019 (EM) 006610614

(51) **LOC (13) Cl.** **07-01**
(52) **U.S. Cl.**
USPC **D7/605**

(58) **Field of Classification Search**
USPC D7/605, 606, 607; D3/287, 276, 289, D3/283, 291, 272-274, 201, 203.1-203.8
CPC B65D 81/3897; B65D 81/38; B65D 81/3813; B65D 81/3816; B65D 81/3818; B65D 81/3825; B65D 81/3827; B65D 81/383; B65D 81/3832; B65D 81/3834; B65D 81/3848; B65D 81/3851; B65D 81/3853; B65D 81/3855; B65D 81/3858; B65D 81/386; B65D 81/3862; F25D 3/08; F25D 3/02; F25D 3/04; F25D 3/06; F25D 3/14; F25D 3/107; F25D 2331/804; F25D 2331/801; A45C 11/20; A45C 3/00; A45C 2003/008

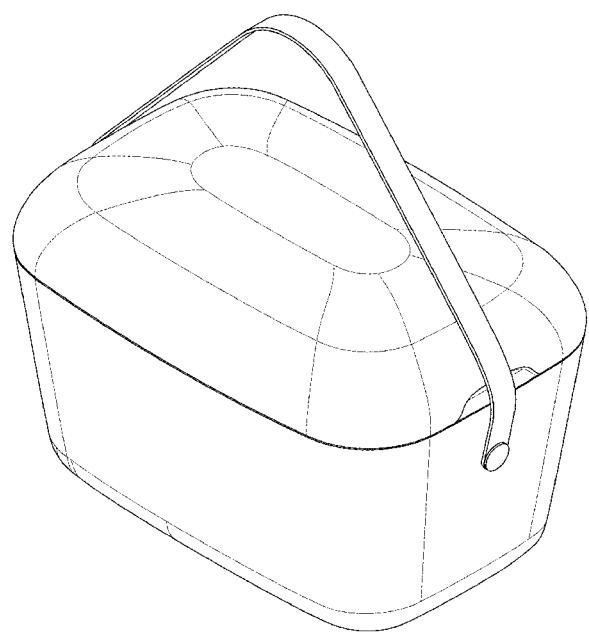
See application file for complete search history.

(56) **References Cited**
U.S. PATENT DOCUMENTS
5,860,281 A * 1/1999 Coffee H01L 35/00 62/3.62
6,036,047 A * 3/2000 Dobbie A45C 11/20 150/154
2019/0233177 A1* 8/2019 Han B65D 3/00
* cited by examiner
Primary Examiner — Terry A Wallace
(74) *Attorney, Agent, or Firm* — Porzlo Bromberg & Newman P.C.

(57) **CLAIM**
The ornamental design for a portable cooler, as shown and described.

DESCRIPTION
FIG. 1 is a perspective view of a portable cool box showing my new design;
FIG. 2 is a side view thereof;
FIG. 3 is an end view thereof;
FIG. 4 is a perspective view of the portable cool box with a lid of the portable cool box in an open position thereof;
FIG. 5 is a perspective view of the portable cool box with a lid of the portable cool box in an open position and showing a bottom of the lid;
FIG. 6 is a top view thereof;
FIG. 7 is a top and side view of the portable cool box with the lid of the portable cool box removed;
FIG. 8 is a bottom and side view of the portable cool box with the lid of the portable cool box removed; and,
FIG. 9 is a perspective view of the portable cool box with a lid of the portable cool box in an open position and a strap of the portable cool box removed.
The lid and strap are shown removed in FIGS. 7 and 9, respectively, for clarity of illustration.

1 Claim, 9 Drawing Sheets



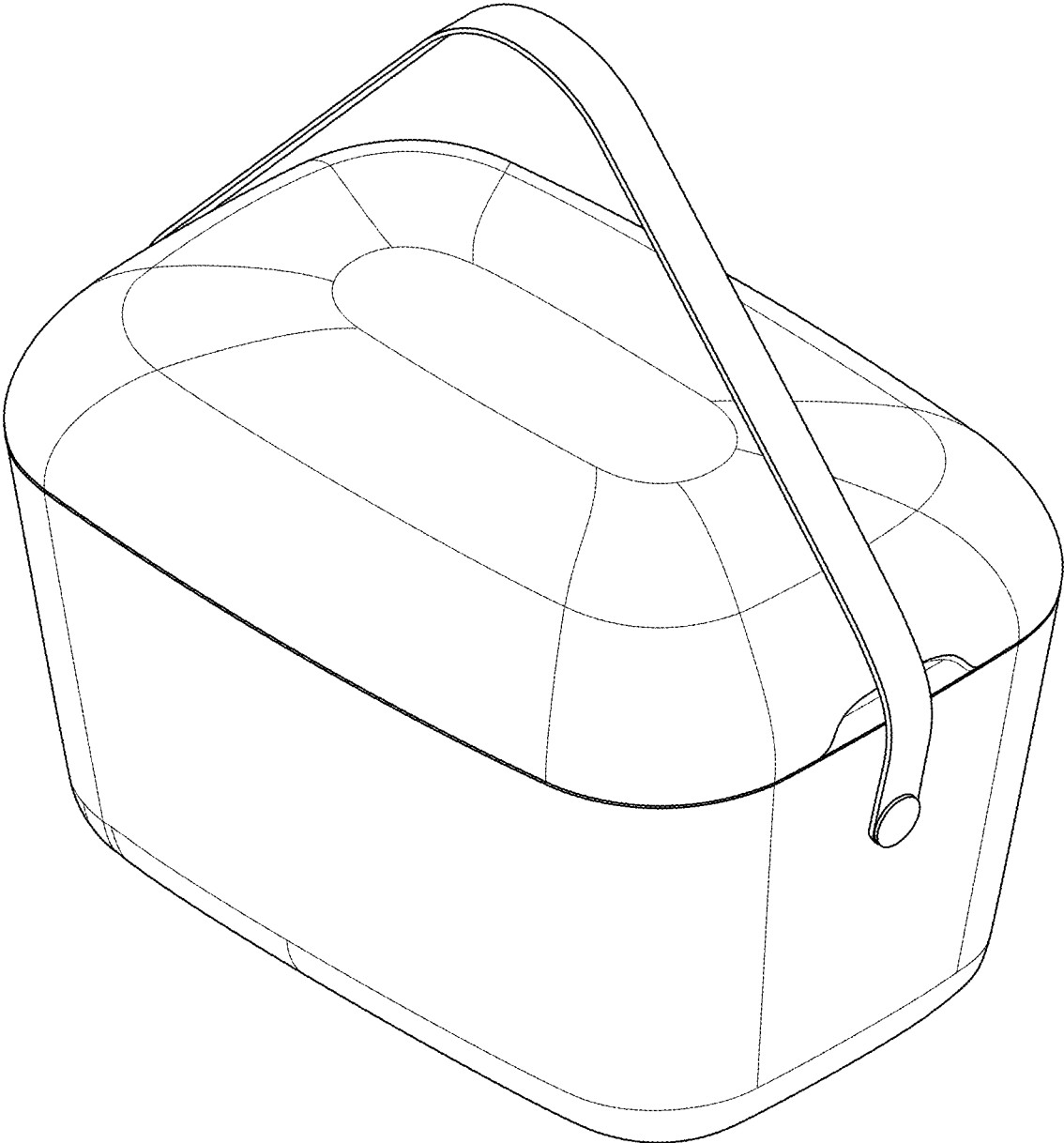


FIG. 1



FIG. 2

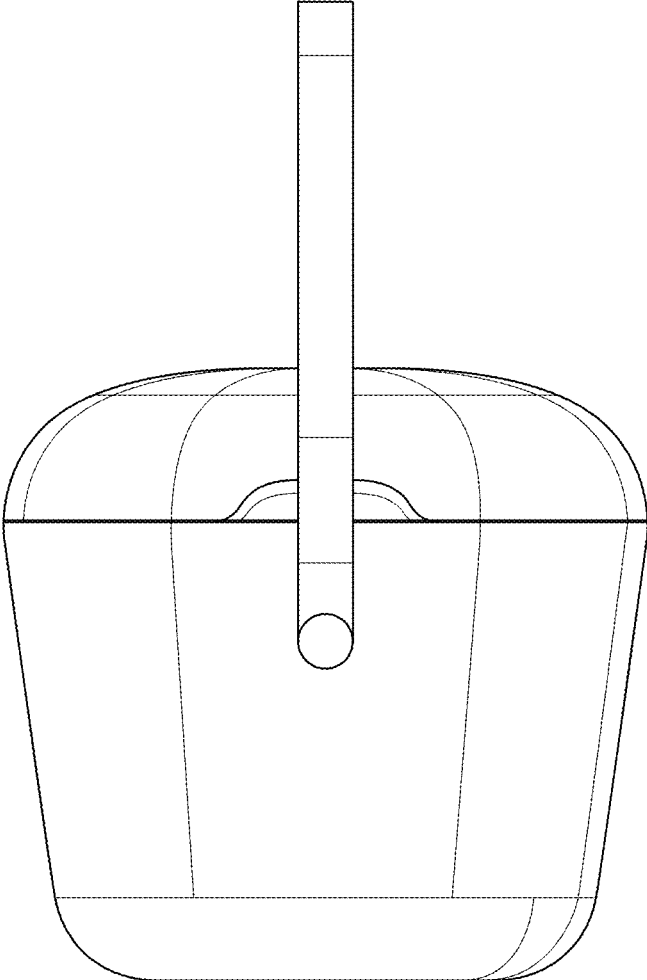


FIG. 3

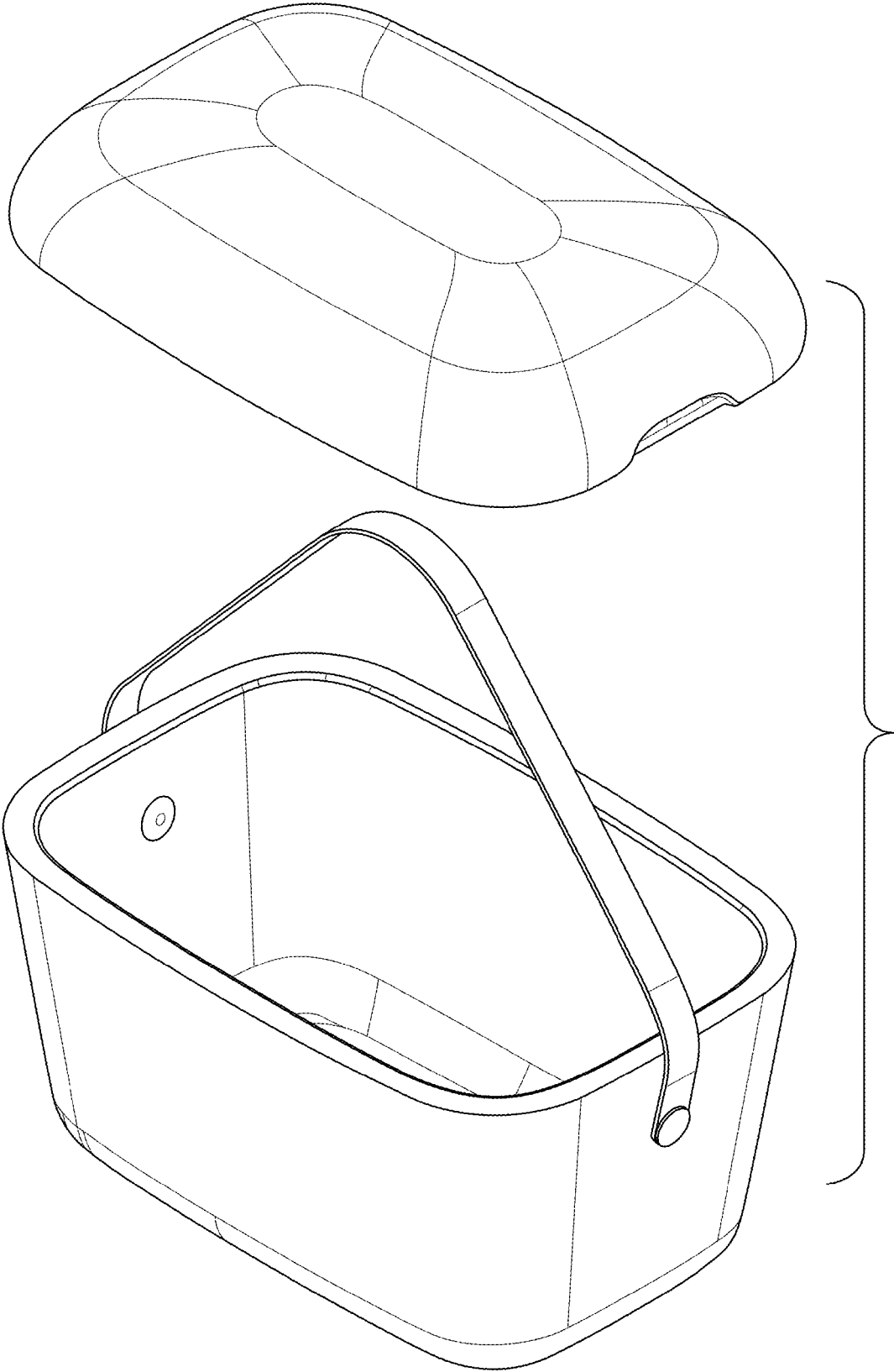


FIG. 4

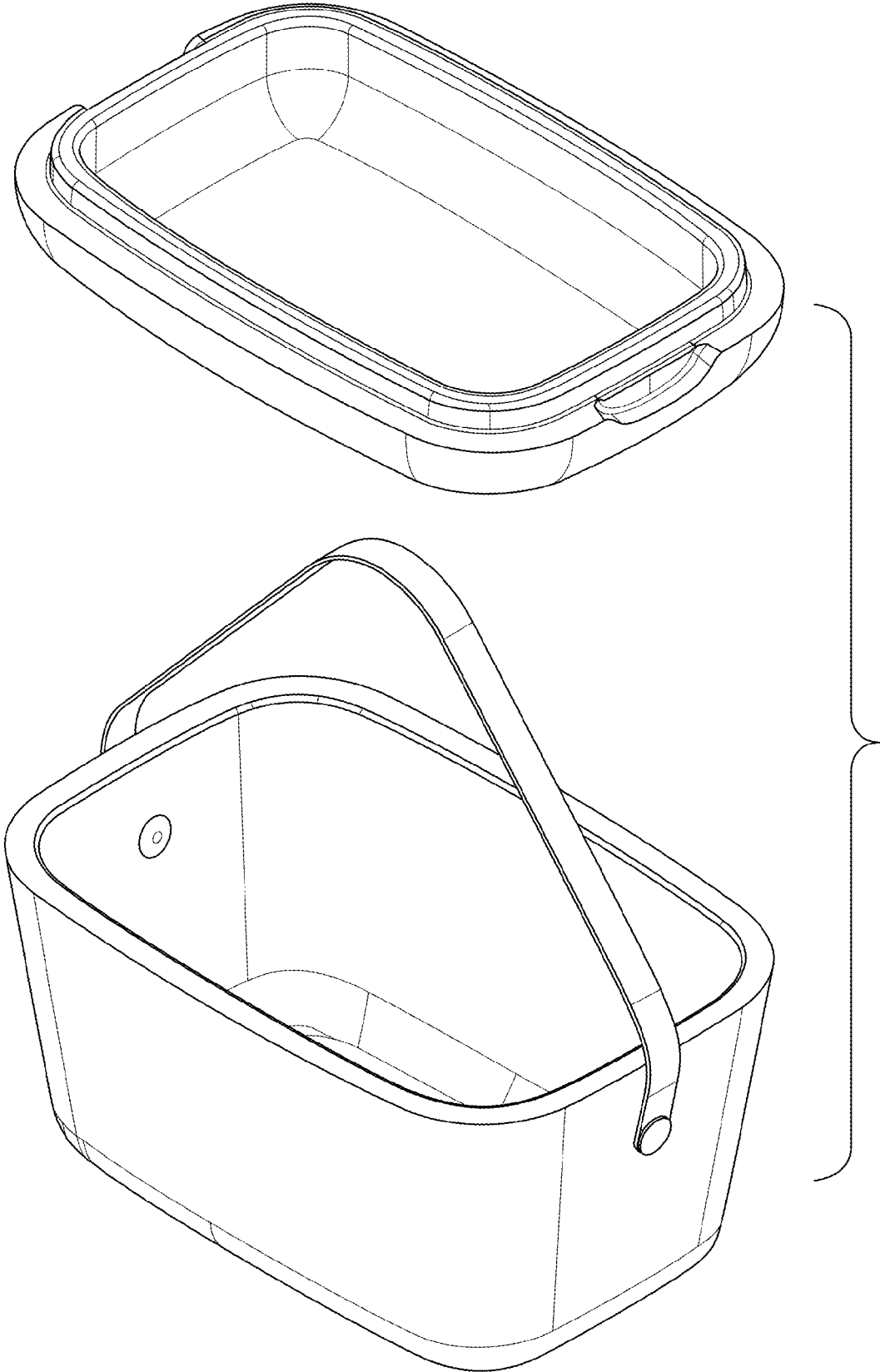


FIG. 5

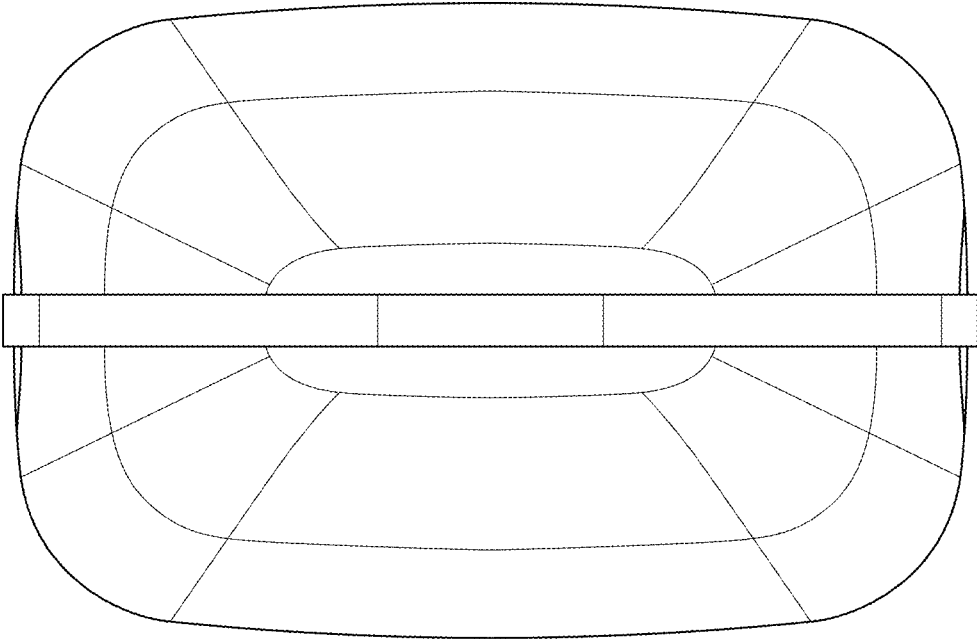


FIG. 6

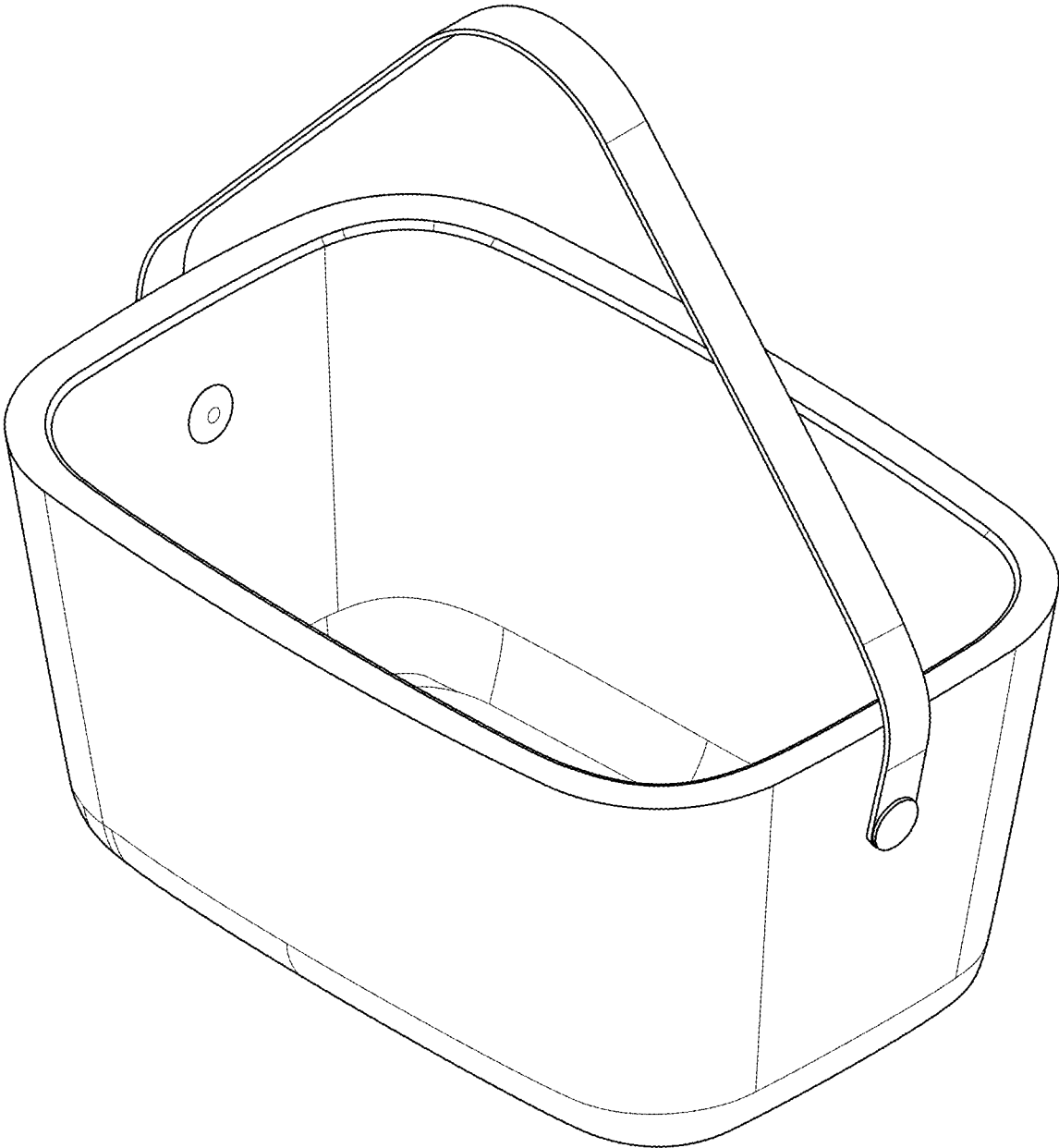


FIG. 7

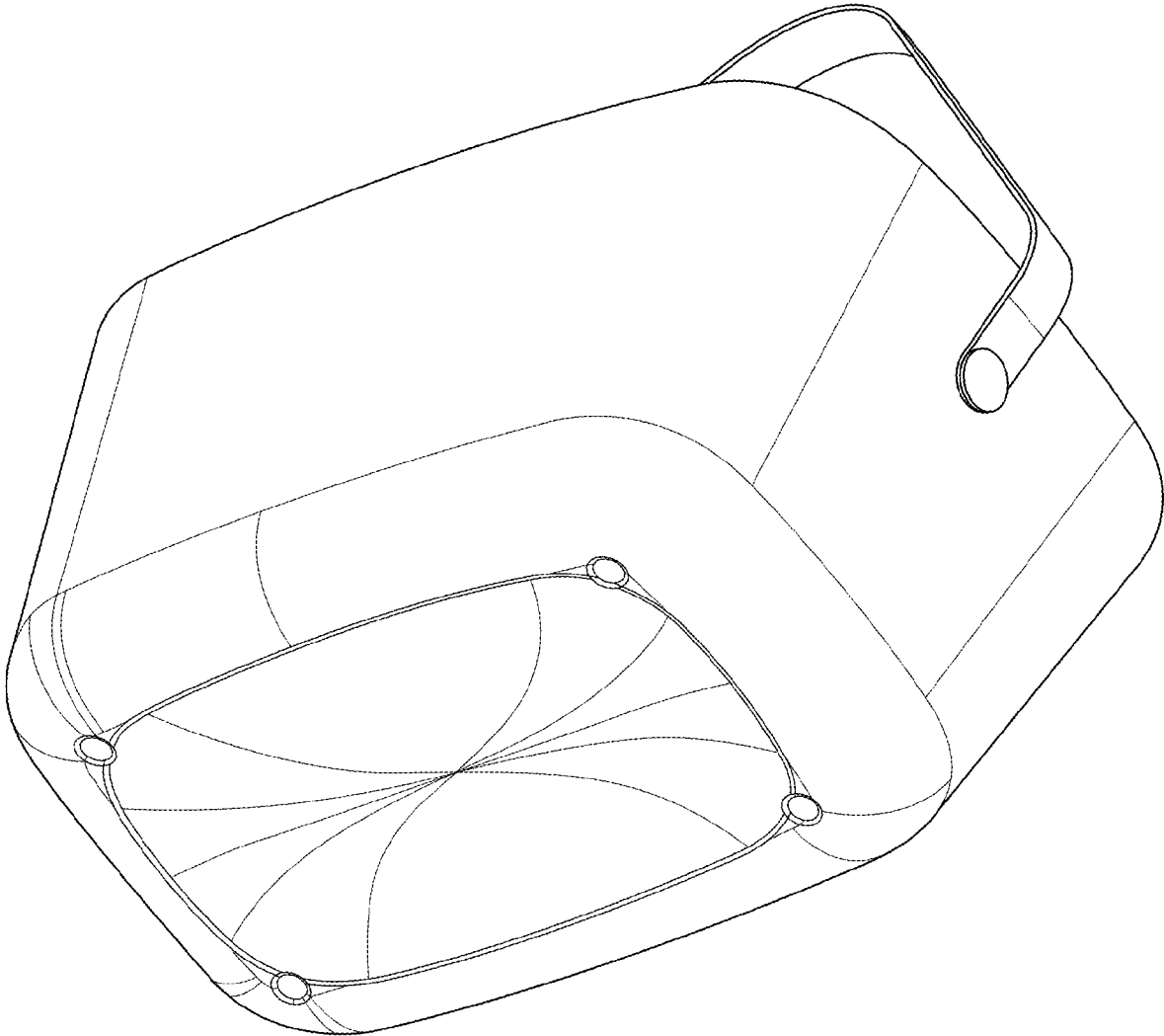


FIG. 8

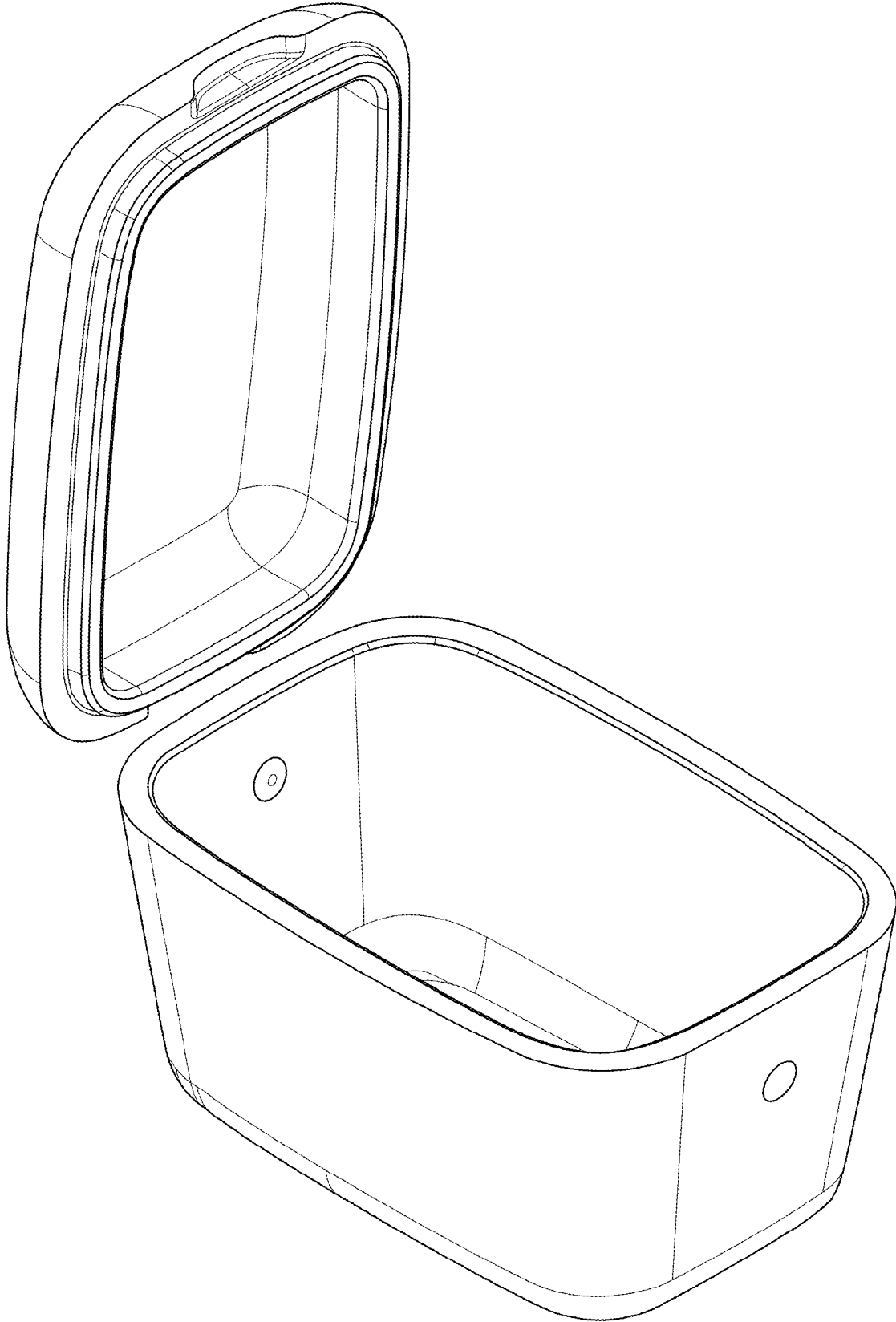


FIG. 9