

**(19) AUSTRALIAN PATENT OFFICE**

(54) Title  
Security element

(51)<sup>6</sup> International Patent Classification(s)  
**B4 2D** 15/00 (2006.01) 1BHAU **B4 2D**  
**B4 2D** 15/10 (2006.01) 15/10  
B42D 15/00 20060101ALI2006010  
20060101AFI2006010 1BHAU  
PCT/EP02/09861

(21) Application No: 2002339482 (22) Application Date: 2002 .09 .04

(87) WIPO No: W003/033274

(30) Priority Data

(31) Number	(32) Date	(33) Country
101 50 293.1	2001 .10 .12	DE

(43) Publication Date : 2003 .04 .28

(43) Publication Journal Date : 2003 .07 .03

(71) Applicant(s)  
OVD Kinegram AG

(72) Inventor(s)  
Schilling, Andreas, Staub, Rene, Tompkin, Wayne Robert

(74) Agent/Attorney  
FB Rice & Co, Level 23 44 Market Street, SYDNEY, NSW, 2000

(56) Related Art  
US 4984824  
JP 10332916  
US 5737886  
US 4568141  
US 5032003  
JP 09220892

(12) NACH DEM VERTRAG ÜBER DIE INTERNATIONALE ZUSAMMENARBEIT AUF DEM GEBIET DES PATENTWESENS (PCT) VERÖFFENTLICHTE INTERNATIONALE ANMELDUNG

(19) Weltorganisation für geistiges Eigentum  
Internationales Büro



(43) Internationales Veröffentlichungsdatum  
24. April 2003 (24.04.2003)

PCT

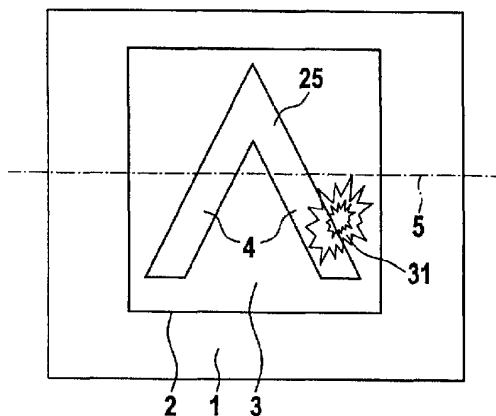
(10) Internationale Veröffentlichungsnummer  
WO 03/033274 A1

- (51) Internationale Patentklassifikation: **B42D 15/00**, (30) Angaben zur Priorität:  
15/10 101 50 293.1 12. Oktober 2001 (12.10.2001) DE
- (21) Internationales Aktenzeichen: PCT/TP02/09861 (71) Anmelder (für alle Bestimmungsstaaten mit Ausnahme von  
US): OVD KINEGRAM AG [CH/CH]; Zählerweg 12,  
CH-6301 Zug (CH).
- (22) Internationales Anmeldedatum:  
4. September 2002 (04.09.2002)
- (25) Einreichungssprache: Deutsch (72) Erfinder; und  
(75) Erfinder/Anmelder (nur für US): STAUB, René  
(26) Veröffentlichungssprache: Deutsch [CH/CH]; Hofmatt 24, CH-6332 Hagendorn (CH).

[Fortsetzung auf der nächsten Seite]

(54) Title: SECURITY ELEMENT

(54) Bezeichnung: SICHERHEITSELEMENT



(57) Abstract: A security element (2) in the form of a layer composite may be used for the certification of a document (1). The layer composite comprises at least one transparent protective layer, a transparent paint layer and an adhesive layer, whereby the paint layer is arranged between the protective layer and the adhesive layer. A boundary surface embodied as a reflection layer separates the adhesive layer and the paint layer. The boundary surface is divided into regions of a pattern (25) with planar partial surfaces and relief structures moulded into the paint layer. The planar partial surfaces form background surfaces (3) and are mirror surfaces for light incident in the layer composite, whilst the regions with relief structures form pattern elements (4) with a given optically effective structural depth. The relief structures of the pattern elements (4) absorb the incident light. The dark pattern elements (4) form a strong contrast in the

reflected light from the mirror background surfaces (3) and the pattern is clearly visible. The contrast between the background surfaces (3) and the pattern elements (4) disappears in directions other than that of the reflected light, such that a copier device reproduces the background surfaces (3) and the pattern elements (4) as black surfaces.

(57) Zusammenfassung: Ein Sicherheitselement (2) in Form eines Schichtverbunds ist zum Beglaubigen eines Dokuments (1) verwendbar. Der Schichtverbund weist wenigstens eine transparente Schutzschicht, eine transparente Lackschicht und eine Klebeschicht auf, wobei die Lackschicht zwischen der Schutzschicht und der Klebeschicht angeordnet ist. Eine als Reflexionsschicht ausgebildeten Grenzfläche trennt die Klebeschicht und die Lackschicht. Die Grenzfläche ist in Gebiete eines Musters (25) mit ebenen Teilflächen und mit in die Lackschicht abgeformten Reliefstrukturen eingeteilt. Die ebenen Teilflächen bilden Hintergrundflächen (3) sind für in den Schichtverbund einfallendes Licht ebene Spiegelflächen, während die Gebiete mit den Reliefstrukturen einer vorbestimmten optisch wirksamen Strukturiefe Musterelemente (4) bilden. Die Reliefstrukturen der Musterelemente (4) absorbieren das einfallende Licht. Im reflektierten Licht der spiegelnden

[Fortsetzung auf der nächsten Seite]

WO 03/033274 A1



- TOMPKIN, Wayne, Robert** [US/CH]; Oesterliwaldweg 2, CH-5400 Baden (CH). **SCHILLING, Andreas** [CH/CH]; Riedmatt 28A, CH-6300 Zug (CH).
- (74) **Anwalt: PÖHLAU, Claus**; Louis, Pöhlau, Lohrenz & Segeth, Postfach 30 55, 90014 Nürnberg (DE).
- (81) **Bestimmungsstaaten (national)**: AE, AG, AL, AM, AT, AU, AZ, BA, BB, BG, BR, BY, BZ, CA, CH, CN, CO, CR, CU, CZ, DE, DK, DM, DZ, EC, EE, ES, FI, GB, GD, GE, GH, GM, HR, HU, ID, IL, IN, IS, JP, KE, KG, KP, KR, KZ, LC, LK, LR, LS, LT, LU, LV, MA, MD, MG, MK, MN, MW, MX, MZ, NO, NZ, OM, PH, PL, PT, RO, RU, SD, SE, SG, SI, SK, SL, TJ, TM, TN, TR, TT, TZ, UA, UG, US, UZ, VC, VN, YU, ZA, ZM, ZW.
- (84) **Bestimmungsstaaten (regional)**: ARIPO-Patent (GH, GM, KE, LS, MW, MZ, SD, SL, SZ, TZ, UG, ZM, ZW), eurasisches Patent (AM, AZ, BY, KG, KZ, MD, RU, TJ, TM), europäisches Patent (AT, BE, BG, CH, CY, CZ, DE, DK, EE, ES, FI, FR, GB, GR, IE, IT, LU, MC, NL, PT, SI, SK, TR), OAPI-Patent (BI, BJ, CI, CG, CI, CM, GA, GN, GQ, GW, ML, MR, NE, SN, TD, TG).
- Veröffentlicht:**  
*mit internationalem Recherchenbericht*
- Zur Erklärung der Zweibuchstaben-Codes und der anderen Abkürzungen wird auf die Erklärungen ("Guidance Notes on Codes and Abbreviations") am Anfang jeder regulären Ausgabe der PCT-Gazette verwiesen.*

Hintergrundflächen (3) bilden die dunklen Musterelemente (4) einen starken Kontrast und das Muster (25) ist gut sichtbar. In andern Richtungen als die des reflektierten Lichts verschwindet der Kontrast zwischen den Hintergrundflächen (3) und den Musterelementen (4), so dass ein Kopiergerät die Hintergrundflächen (3) und die Musterelemente (4) als schwarze Flächen wiedergibt.

#### Security element

The invention relates to an optically diffractive security element.

Such security elements are used for the authentication of documents such as value-bearing papers or bonds, cheques, banknotes, credit cards, passes and identity  
5 cards of all kinds, entrance tickets, driving licences and so forth, the security element being for example in the form of a thin layer composite or laminate, which is fixed on the document by adhesive.

Modern copiers for coloured copies represent a serious potential danger for documents which are produced by a printing procedure, because the visual differences  
10 between the original and the copy are so slight that only an expert equipped with the appropriate aids can distinguish the original from the copy, in which respect it is often necessary to refer to other criteria such as Intaglio printing, a watermark, fluorescence, optically variable security elements with diffraction structures and so forth, apart from the appearance of the printed image.

15 It is known from EP 0 522 217 B1 that reflective foil portions arranged on a document implement good protection against unauthorised copying of such documents. The difference between the original with the reflective foil portions and a copy can be clearly seen as the copying machines reproduce reflective surfaces as black. It will be appreciated however that reflective foils are readily available on the market. The black  
20 surfaces in such copies can therefore easily have reflective foil stuck over them, in order to make the copy appear more genuine.

DE 44 10 431 A1 describes further developments of the above-described foil portions. The security element is a foil portion which is cut from a laminate, with a flat, mirroring reflection layer. The reflection layer is removed in surface portions which  
25 form an individual identification on the surface of the foil portion, so that a black layer arranged under the reflection layer becomes visible. On the copy produced by the copier machine, the black identification disappears in the reproduction of the remaining mirror surface, as the surface portions in which the reflection layer is removed and the mirror surface which has remained behind in the copy appear uniformly black.  
30 Another security element, instead of the flat mirror surfaces, has a hologram structure with the identification and, in the copying procedure, behaves like the diffraction structures which are discussed in the next paragraph. In the copy therefore, the identification can be detected in the copied image of the hologram.

It is also known for example from GB 2 129 739 B for valuable documents to be  
35 provided with an optically variable security element having diffraction structures (for example holograms, mosaic-like surface patterns comprising diffractive surface

elements, for example in accordance with EP 0 105 099 A1, EP 0 330 738 A1, EP 0 375 833 A1, and so forth). Those security elements have a pattern or image which changes in dependence on the viewing condition. From the point of view of unauthorised persons, those security elements can be imitated only at high cost.

5 Unfortunately, the colour copy of the document reproduces one of the patterns or images of the security element, which is visible in the original under the viewing condition which is fixed in the copier for the imaging procedure. It will be appreciated that it is no longer possible to see any change in the pattern or image in the copy, upon a variation in the viewing condition, but if the receiver is not paying attention, a copy

10 can easily be considered to be the genuine document.

Embodiments of the laminate for the security elements and materials which can be used for that purpose are described in EP 0 401 46 A1 and US No 4 856 857.

Any discussion of documents, acts, materials, devices, articles or the like which has been included in the present specification is solely for the purpose of providing a

15 context for the present invention. It is not to be taken as an admission that any or all of these matters form part of the prior art base or were common general knowledge in the field relevant to the present invention as it existed before the priority date of each claim of this application.

In accordance with the present invention, there is provided a security

20 element with a pattern comprising surface portions and in the form of a laminate for authentication of a document which includes at least a transparent protective layer, a transparent lacquer layer and an adhesive layer, wherein the lacquer layer is arranged between the protective layer and the adhesive layer and the refractive index abruptly changes at the interface between the adhesive layer and the lacquer layer and the

25 surface portions of the pattern are composed of background surfaces and pattern elements,

characterised in that

in the region of the background surfaces the lacquer layer is smooth and flat in form and in the region of the pattern elements relief structures with a predetermined,

30 optically effective structure depth (h) are formed into the lacquer layer,

the background surfaces are flat mirror surfaces for light incident into the laminate, and

the relief structures are cross gratings formed from base gratings with periods ( $d_x, d_y$ ) and the periods ( $d_x, d_y$ ) are shorter than a predetermined limit wavelength ( $\lambda$ ) at

35 the short-wave end in the spectrum of visible light so that the pattern elements absorb and scatter the incident light, wherein in each relief structure the ratio of the absorbed

and the scattered light is predeterminedly dependent on the optically effective structure depth (h) prevailing in the relief structure.

Thus the present invention may provide an inexpensive, optically variable security element which cannot be reproduced by a copier apparatus and  
5 which also cannot be copied with holographic methods.

Throughout this specification the word "comprise", or variations such as "comprises" or "comprising", will be understood to imply the inclusion of a stated element, integer or step, or group of elements, integers or steps, but not the exclusion of any other element, integer or step, or group of elements, integers or steps.

10 Embodiments of the invention are described in greater detail hereinafter and illustrated in the drawing in which:

Figure 1 shows a document,

Figure 2 shows the document when tilted about an axis,

Figure 3 shows a view in cross-section of a security element,  
Figure 4 shows the interface of a relief structure,  
Figure 5 shows a first observation condition,  
Figure 6 shows a second observation condition,  
5 Figures 7a and 7b show the security element with grey stages, and  
Figure 8 shows a relief structure.

Referring to Figure 1, reference 1 denotes a document, 2 denotes a  
security element, 3 a background surface, 4 a pattern element and 5 a  
notional tilt axis which is in the plane of the document 1. The document 1  
10 is illuminated using directed artificial light laterally and inclinedly from  
above and is viewed perpendicularly from above. The security element 2  
is fixed on the document 1. For identification purposes, the security  
element 2 has a pattern 25 comprising the pattern elements 4 which are  
surrounded by the background surfaces 3. In order to make the drawing  
15 in Figure 1 clearer, the pattern 25 comprises a single pattern element 4  
and forms a simple "V" sign. A practical embodiment involves the  
arrangement of a plurality of the background surfaces 3 and the pattern  
elements 4, with respect to the pattern 25. Under the specified  
illumination and observation conditions, the pattern 25 is not visible to an  
20 observer as there is no contrast between the pattern element 4 and the  
background surface 3, and both surfaces, both the background surface 3  
and also the pattern element 4, appear dark, for example metallicity  
matt. In diffuse daylight or in diffuse room lighting in contrast and under  
certain illumination conditions which are set forth hereinafter, the pattern  
25 element 4 stands out as being dark, from the light background surface 3,  
and is therefore clearly visible to the observer.

If, as shown in Figure 2, the document 1 with the security element  
2 is tilted about the tilt axis 5 in such a way that the background surface 3  
reflects light into the eye of the observer, then the observer can recognise  
30 the pattern 25 as the pattern element 4 remains dark and stands out from  
the background surface 3, with a high level of contrast. Under that  
observation condition, the reflection condition for the observer is fulfilled.  
Rotation of the security element 2 in its plane does not change the  
appearance of the pattern 25 in the reflection condition, from the point of

view of the observer, that is to say azimuthal orientation of the security element 2 is not to be implemented.

Figure 3 shows the security element 2 (Figure 2) in cross-section, wherein the section plane contains for example the tilt axis 5 (Figure 2).

5 The security element 2 comprises a layer composite or laminate 6 comprising a plurality of layers 7, 8, 9 and 11. Examples in regard to the structure of the laminate 6 and the materials used for same are to be found in EP 0 401 466 A1 and US No 4 856 857.

In the simplest case the laminate 6 includes at least a protective  
10 layer 7, an adhesive layer 8 and a lacquer layer 9 arranged between the protective layer 7 and the adhesive layer 8. The adhesive layer 8 joins the security element 2 to the document 1. An interface between the adhesive layer 8 and the lacquer layer 9 reflects light 10 which is incident  
15 through the cover layer 7 and the lacquer layer 9 if the refractive index at the boundary layer suddenly changes at the transition from the lacquer layer 9 to the adhesive layer 8. With the materials in Table 6 of US No 4 856 857 the difference in the refractive indices is too small to achieve a strong reflection. The reflection capability is therefore increased by a reflection layer 11 which is arranged at the interface and which is a thin  
20 layer (<0.4 micrometer) comprising a metal or a metal coated with a suitable inorganic dielectric layer, the dielectric layer being arranged on the side of the metal, that is towards the incident light 10.

The materials for the reflection layer 11 are contained Table 1 to 5  
25 of US No 4 856 857; Tables 1 to 6 are expressly incorporated into this description. Tellurium which is not mentioned in Table 5 is also suitable for the reflection layer 11. The incident light 10 means daylight or visually visible polychromatic light of wavelengths of between 380 nm and 780 nm.

In another embodiment of the laminate 6 the surface of the cover  
30 layer 7 of the laminate 6, that is remote from the lacquer layer 9, is connected to a carrier band or strip 13 by means of a separating layer 12 in order to facilitate transfer of the fragile laminate 6 onto the document 1. The carrier band 13 of paper or a plastic foil, for example PC or PETP can be removed after the laminate 6 has been glued in place so that the



pattern 25 (Figure 2) is visible through the protective layer 7 and the lacquer layer 9. In that respect attention is directed to GB 2 129 739 B which has already been referred to above.

As can be seen from Figure 3 a relief structure 14 with a geometrical profile depth  $p$  is formed into the lacquer layer 9, in the region of the pattern elements 4. In the region of the background surfaces 3 the lacquer layer 9 is formed smooth and flat and is parallel to the other layers of the laminate 6. The material of the adhesive layer 8 fills the depressions of the relief structure 14. The interface with or without the additional reflection layer 11 follows both the relief structure 14 and also mirror planes of the background surfaces 3.

The relief structure 14 is a cross grating comprising two base gratings of periods  $d$  smaller than a limit wavelength  $\lambda$  at the short-wave end in the spectrum of visible light, that is to say between  $\lambda = 380$  nm and  $\lambda = 420$  nm and has an optically effective structure depth  $h$ , that is the profile depth  $p$  multiplied by the refractive index of the lacquer layer 9, preferably in the range of between  $h = 50$  nm and  $h = 500$  nm. Such relief structures 14 absorb almost all visible light 10 which is incident on the pattern elements 4 and scatter a small fraction of the incident light 10 back into the half-space above the pattern element 4. The percentage of the absorbed light 10 is non-linearly dependent on the structure depth  $h$  and can be controlled by means of the choice of the structure depth  $h$  in the above-mentioned range of between 50% and about 99%, in which respect the shallower the relief structure 14 the correspondingly more incident light 10 is scattered back and the correspondingly less light 10 is absorbed. The specified percentages apply for the relief structure 14 with a reflection layer 11 of for example aluminium. Adjoining regions of the pattern elements 4 with various structure depths  $h$  therefore exhibit a grey graduation.

The embodiment of the relief structure 14 which is shown in Figure 4 is a cross grating formed by two sinusoidal base gratings which cross at a right angle. The sine function of the first base grating, which extends along the co-ordinate  $x$ , is of a period  $d_x$  and an amplitude  $h_x$  while the sine function of the second base grating which extends along the co-

ordinate  $y$  is of a period  $d_y$ , and an amplitude  $h_y$ . Over the plane defined by the co-ordinates  $x$  and  $y$  the interface  $h(x, y)$  formed by the cross grating in the laminate 6 (Figure 3) follows for example the function:

$$h(x, y) = [h_x + h_y] \cdot \sin^2(\pi x/d_x) \cdot \sin^2(\pi y/d_y).$$

- 5 Other embodiments involve  $h(x, y) = h_x \cdot \sin^2(\pi x/d_x) + h_y \cdot \sin^2(\pi y/d_y)$ , with rectangular or pyramid structures being used as the interface  $h(x, y)$ .

In an embodiment the two periods  $d_x, d_y$  and the structure depths  $h_x, h_y$  are the same, while in other embodiments they are different. The structure depth  $h = [h_x + h_y]$  can be selected to be greater than the period  $d$ , but the relief structure 14 is difficult to produce, with the present-day manufacturing methods. The interface  $h(x, y)$  is like an egg carton and is shown in Figure 4.

Referring to Figure 5, the optical behaviour of the security element 2 with a first observation direction will now be discussed. The incident light 10 forms an angle of about  $40^\circ$  with the normal 15 to the plane of the security element 2. In an example the pattern elements 4 with the above-described relief structure 14 absorb in the visible range up to 95% of the incident light 10, the remainder is scattered. The reflective background surface 3 in contrast absorbs only about 10% of the incident light 10 and reflects the rest. As surface portions of the pattern elements 4 adjoin the reflective background surfaces 3, the observer therefore has such a strong contrast that the pattern elements 4 arranged on a predetermined background surface 3 of the security element 2 in the predetermined pattern 25 can be easily recognised as information. The pattern 25 represents a logo, a text, an image or another graphic character.

The drawing in Figure 5 corresponds to the illumination conditions in the copier apparatus. Depending on the respective model of the copier apparatus, the directed light 10 of the copier apparatus which is incident on the document 1 and the security element 2, forms the angle of incidence  $\alpha$  in the range of about  $40^\circ$  to  $50^\circ$  to the normal 15. The document 1 scatters the incident light 10 into the entire half-space. As a result scattered light passes into a light receiver 16 of the copier apparatus, which is arranged in the direction of the normal 15. In

contrast thereto the light 17 which is reflected from the background surface 3 is deflected at the same angle  $\alpha$  in accordance with the law of reflection into a viewing direction 18 of the observer 19 and does not pass into the light receiver 16. If the light 10 is incident on the pattern element 4 at the same angle of incidence  $\alpha$ , the incident light 10 in contrast is practically absorbed; both the light receiver 16 and also the observer 19 register no light from the pattern element 4. The pattern element 4 is therefore dark.

The background surfaces 3 form the flat mirror surfaces of the pattern 25, for the light 10 which is incident in the laminate 6, while the pattern elements 4 as absorber surfaces swallow up the major part of the incident light 10. Therefore, in the reflected light 17, the observer 19 recognises the background surfaces 3 in the form of intensively light surface portions and the pattern elements 4 as dark surface portions of the pattern 25. In directions other than that of the reflected light 17, the security element 2 scatters only a small part of the incident light 10. The levels of intensity per unit of surface area of the light which is scattered at the background surfaces 3 and the pattern elements 4 are practically of the same magnitude so that there is no contrast between the background surfaces 3 and the pattern elements 4. In the case of illumination with the directedly incident light 10, the pattern 25 formed from the background surfaces 3 and the pattern elements 4 is recognisable only in the light 17 reflected with specular reflection, in contrast to a black-and-white image which is produced by a printing procedure.

In the copier apparatus the background surface 3 and the pattern element 4 projects such a small projection of the incident light 10 into the light receiver 16 that the copier apparatus indiscriminately reproduces the background field 3 and the pattern element 4 as black surfaces. The advantage of this security element 2 is that the copier apparatus cannot reproduce the information represented by the pattern element 4 while the observer 9 who, when using directedly incident light 10, almost automatically tilts the security element 2 in such a way that he views the background surface 3 in a reflection mode, can see the information of the pattern element 4 with a high level of contrast against the background

surface 3. In that way the security element 2 can be easily distinguished by an attentive observer from reflecting metal foils on good coloured copies of the document 1. A further advantage is formed by the use of the relief structure 14 in the security element 2 with the periods  $d_x$  (Figure 4) and  $d_y$  (Figure 4) which are shorter than the wavelengths of the coherent light sources which can be used for holographic copying methods; it is therefore not possible to produce a copy of the security element 2 with the holographic methods.

Figure 6 shows a second illumination condition for the two observers 19, 20 of the security element 2. A polychromatic radiation source 21, for example a halogen lamp, an incandescent lamp and so forth, is arranged above the second observer 20 and emits the incident light 10 onto the pattern element 4 at a large angle of incidence  $\alpha$  of about  $60^\circ$  to  $80^\circ$ . The first observer 19 sees the pattern 25 (Figure 2) of the pattern elements 4 in front of the background 3 (Figure 5) at the reflection angle  $\alpha$ , as referred to above. If the periods  $d_x$  (Figure 4),  $d_y$  (Figure 4) of the relief structure 14 are in the region of a half and whole limit wavelength  $\lambda$ ; that is to say  $\lambda \geq d \geq \lambda/2$ , wherein  $d = d_x$  or  $d_y$  respectively, a part of the incident light 10 is deflected at a large diffraction angle  $\beta$  into the minus first order, as diffracted light 22. The second observer 20 can recognise the diffracted light 22. The diffracted light 22 includes the short-wave portion of the visually visible spectrum of the electromagnetic radiation. The diffracted light 22 is therefore dependent on the diffraction angle  $\beta$  and the periods  $d_x$ ,  $d_y$  in a blue-green to violet colour. The colour of the diffracted light 22, which is observed at a predetermined diffraction angle  $\beta$  relative to the normal 15, is also dependent on the azimuth, in respect of its intensity. Note: in the foregoing consideration the refractive influence of the protective layer 7 has been disregarded.

In contrast, the first observer 19 is looking in the direction of the reflected light 17 and sees the background surfaces 3 as shinely bright surface portions and the pattern elements 4 as dark surface portions of the pattern 25.

If the period  $d_x$  or  $d_y$  is less than  $\lambda/2$ , the diffracted light 22 can no longer be seen by the second observer 20, in the direction of the coordinate  $x$  or  $y$  respectively, as the relief structure 14 no longer diffracts visible light 22. The first observer 19 who is observing the security element 2 at the reflection angle  $\alpha$  sees the pattern elements 4 unchanged in a dark-brown to black colour, under these conditions.

The colour of the pattern elements 3 which are visible at the reflection angle  $\alpha$  depends on the nature of the reflection layer 11 as various combinations of the materials in and at the reflection layer 11 do not uniformly reflect the incident light 10 in the entire spectral range of the visible electromagnetic radiation. Deep-black pattern elements 3 advantageously have a gradual transition in respect of the refractive index from the lacquer layer 9 to the reflection layer 11; the transition is produced by means of at least one layer of an inorganic dielectric 23 between the lacquer layer 9 and a metal layer 24 of the reflection layer 11. For the flat mirror surface of the background surfaces 3, the reflection layer 11 formed from the dielectric 23 and the metal layer 24 does not have a noticeable effect. In the case of the relief structure 14 in contrast, that reflection layer 11, as a consequence of interference phenomena, causes almost complete extinction of the incident light 10, which occurs in particular uniformly over the entire spectral range of the visible electromagnetic radiation. An example has a 50 nm thick layer of the dielectric 23 of ZnS and 100 nm of aluminium as the metal layer 24. A further advantage is the structure depth  $h$  which is increased by the high refractive index for ZnS of  $n = 2.4$ , in relation to the refractive index of the lacquer layer 9 of  $n = 1.5$ , with the profile depth  $p$  of the relief structure 14 remaining the same.

Besides the grey graduations with pattern elements 4 with different structure depths  $h$  the grey graduation in an embodiment of the security element 2 is produced by means of rastering of varying density, with raster dots of less than 0.4 nm in dimension. In that respect it is immaterial whether the raster dots are arranged as the background field 3 in a pattern element 4 or as the pattern element 4 in the background field 3.

Figures 7a and 7b show further examples for the production of grey stages or steps within a security element 2 from the dark pattern element 4 to the brightly shining background field 3. Figure 7a involves using raster dots of various sizes in a fixed raster of a maximum 0.5 mm spacing, corresponding to the grey stage. In a slightly lightened zone 26 the raster dots touch, in a lightened zone 27 the raster dots are of a mean dimension of about 0.25 mm while in a slightly darkened zone 28 the raster dots are about 0.15 mm. In Figure 7b, instead of the dot raster, there is a line raster with a maximum 0.5 mm spacing. A corresponding line width here affords the grey graduation in the zones 26 (Figure 7a) to 28 (Figure 7a).

In one of the zones 26 to 28 the raster dots of the pattern surfaces 4 are of the same dimensions. A very fine grey graduation is achieved by means of the suitably stepped structure depths  $h$  in the relief structures 14 (Figure 6), which is adequate for the reproduction of a black-and-white photograph.

Figure 8 shows two patterns 25 of the security element 2 as a simple example. In the upper half of the security element 2 the pattern 25 comprises a band 29 with a star 30. The band 29 is formed from the dark pattern element 4. The area around the band 29 and the star 30 form the light background surfaces 3. Without limitation in respect of the foregoing description, the background surfaces 3 and the pattern elements 4 are interchangeable, as is shown in the lower half of the security element 2.

The security element 2 in Figure 1 will be still more difficult to counterfeit if the pattern 25 forms a background for a mosaic surface pattern 31 with diffraction structures whose spatial frequencies are of values in the range of 300 lines per mm to 2000 lines per mm. Such mosaic surface patterns 31 are known from above-mentioned EP 0 105 099 A1, EP 0 330 738 A1 and EP 0 375 833 A1. The content of those patent specifications is hereby incorporated into this description.

## THE CLAIMS DEFINING THE INVENTION ARE AS FOLLOWS:

1. A security element with a pattern comprising surface portions and in the form of a laminate for authentication of a document which includes at least a transparent protective layer, a transparent lacquer layer and an adhesive layer, wherein the lacquer layer is arranged between the protective layer and the adhesive layer and the refractive index abruptly changes at the interface between the adhesive layer and the lacquer layer and the surface portions of the pattern are composed of background surfaces and pattern elements,  
characterised in that  
10 in the region of the background surfaces, the lacquer layer is smooth and flat in form and in the region of the pattern elements, relief structures with a predetermined, optically effective structure depth (h) are formed into the lacquer layer,  
the background surfaces are flat mirror surfaces for light incident into the laminate, and  
15 the relief structures are cross gratings formed from base gratings with periods ( $d_x, d_y$ ) and the periods ( $d_x, d_y$ ) are shorter than a predetermined limit wavelength ( $\lambda$ ) at the short-wave end in the spectrum of visible light so that the pattern elements absorb and scatter the incident light, wherein in each relief structure the ratio of the absorbed and the scattered light is predeterminedly dependent on the optically effective structure depth (h) prevailing in the relief structure.
2. A security element according to claim 1 characterised in that the cross grating of the relief structures is composed of two base gratings with the periods ( $d_x, d_y$ ) which are arranged substantially at a right angle relative to each other.
3. A security element according to claim 1 or claim 2 characterised in that  
25 the base gratings are sinusoidal.
4. A security element according to one of claims 1 to 3 characterised in that at least one of the periods ( $d_x, d_y$ ) is longer than half the limit wavelength ( $\lambda$ ) but shorter than the limit wavelength ( $\lambda$ ).
5. A security element according to one of claims 1 to 4 characterised in that  
30 the limit wavelength ( $\lambda$ ) is selected to be in the range of between 380 nm and 420 nm.
6. A security element according to one of claims 1 to 5 characterised in that the periods ( $d_x, d_y$ ) of the two base gratings are of the same value.
7. A security element according to one of claims 1 to 6 characterised in that  
35 the values for the optically effective structure depth (h) of the relief structures are selected to be in the range of  $h = 50 \text{ nm}$  to  $h = 500 \text{ nm}$ .

8. A security element according to one of claims 1 to 7 characterised in that the reflection layer contains a metal from the group of aluminium, silver, gold, chromium, copper, nickel and tellurium.

5 9. A security element according to the claim 8 characterised in that the reflection layer on the side of the metal layer that is towards the lacquer layer, has at least one layer of an inorganic dielectric.

10. A security element according to claim 9 characterised in that the layer of inorganic dielectric comprises ZnS and the metal layer comprises aluminium.

10 11. A security element according to one of claims 1 to 10 characterised in that the pattern has zones with grey stages and that the pattern elements of the zones with various grey stages differ by the optically effective structure depth (h) of the relief structures.

15 12. A security element according to one of claims 1 to 10 characterised in that the pattern has zones with grey stages, that the pattern elements have identical values in respect of the optically effective structure depths (h) and that the zones differ by rastering of varying density of raster dots of dimensions of less than 0.4 mm.

20 13. A security element according to one of claims 1 to 12 characterised in that the pattern forms a background for a mosaic surface pattern comprising diffraction structures with spatial frequencies in the range of 300 lines per mm to 2000 lines per mm.

14. A security element substantially as hereinbefore described with reference to the accompanying drawings.

Dated this thirteenth day of October 2005

OVD Kinigram AG  
Patent Attorneys for the Applicant:

F B RICE & CO



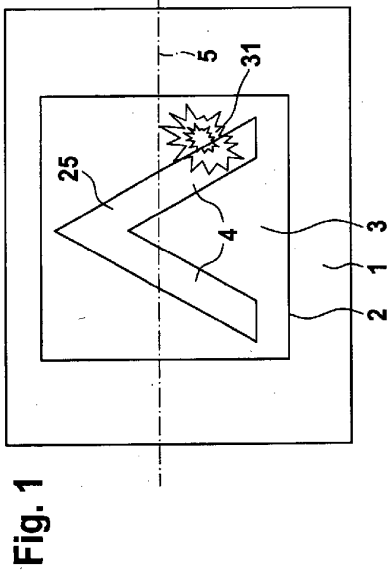


Fig. 1

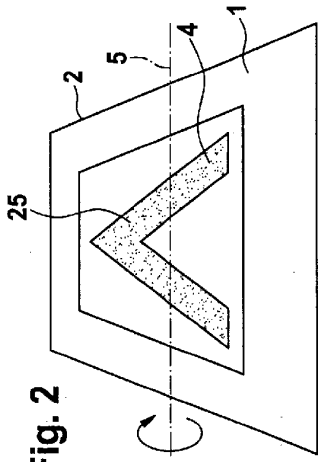


Fig. 2

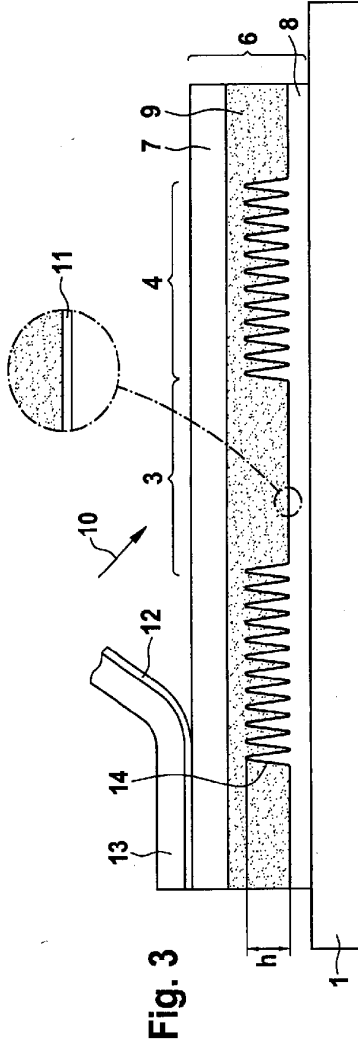


Fig. 3

Fig. 4

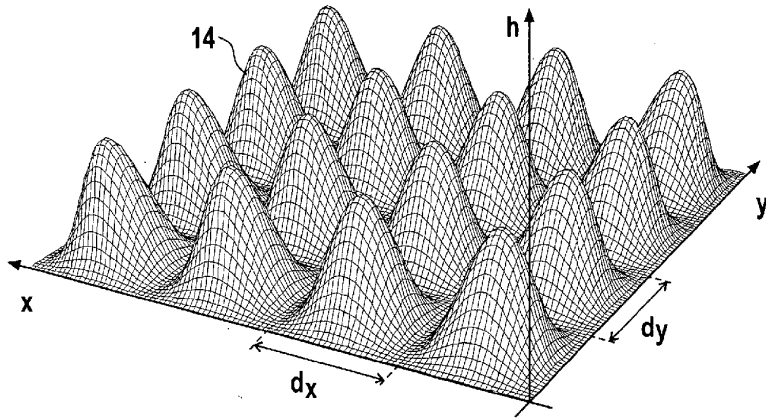


Fig. 5

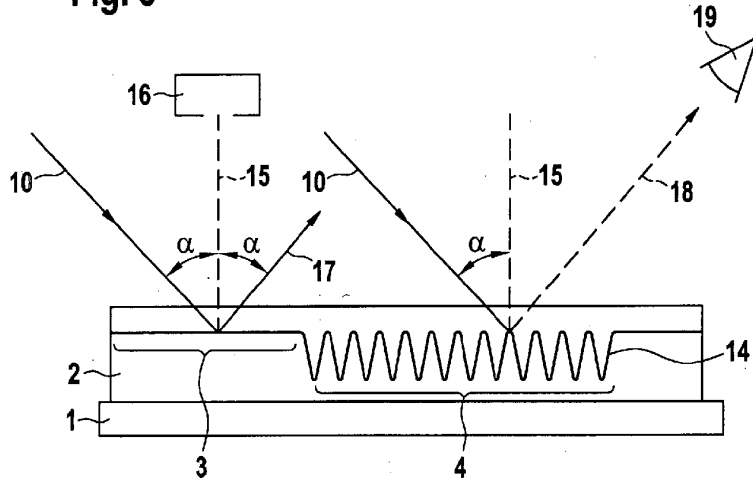


Fig. 6

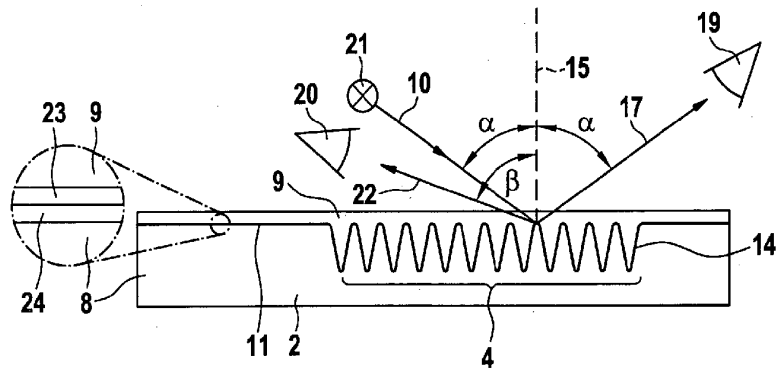


Fig. 7a

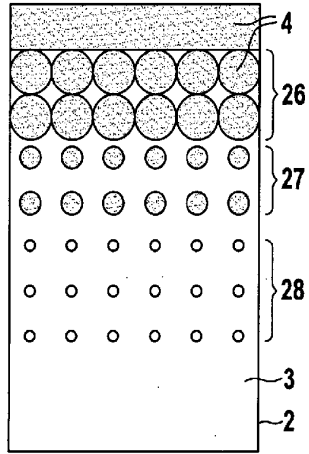


Fig. 7b

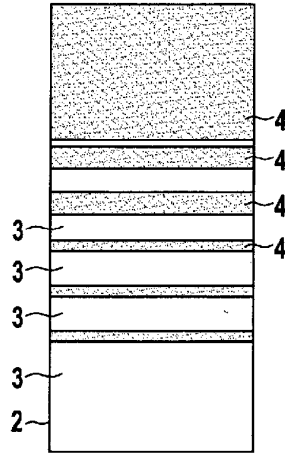


Fig. 8

