



US00D419936S

United States Patent [19]

[11] Patent Number: **Des. 419,936**

Sacco et al.

[45] Date of Patent: **** Feb. 1, 2000**

[54] **MOTOR VEHICLE INSTRUMENT PANEL**

D. 378,910	4/1997	Black et al.	D12/192
D. 389,798	1/1998	Ma et al.	D12/192
D. 394,834	6/1998	Sacco et al.	D12/192
D. 397,977	9/1998	Hellhake et al.	D12/192
D. 401,545	11/1998	Sacco et al.	D12/192
D. 403,641	1/1999	Sacco et al.	D12/192
D. 405,408	2/1999	Yoshida et al.	D12/192

[75] Inventors: **Bruno Sacco**, Sindelfingen; **Peter Pfeiffer**, Boeblingen; **Hans-Dieter Futschik**, Gechingen; **Norbert Weber**, Bondorf, all of Germany

[73] Assignee: **Daimler-Benz Aktiengesellschaft**, Stuttgart, Germany

Primary Examiner—Doris V. Coles
Assistant Examiner—Stacia Sinuik
Attorney, Agent, or Firm—Evenson McKeown Edwards & Lenahan, PLLC

[**] Term: **14 Years**

[21] Appl. No.: **29/084,291**

[57] CLAIM

[22] Filed: **Feb. 27, 1998**

The ornamental design for a motor vehicle instrument panel, as shown and described.

[30] Foreign Application Priority Data

Aug. 27, 1997 [DE] Germany M 97 07 820

DESCRIPTION

[51] **LOC (7) Cl.** **12-16**

[52] **U.S. Cl.** **D12/192**

[58] **Field of Search** D12/192, 400, D12/415; 296/70; 180/90; 280/752

FIG. 1 is a front view of a motor vehicle instrument panel according to our novel design; and, FIG. 2 is an enlarged perspective view from the front right of a motor vehicle instrument panel according to our novel design.

[56] References Cited

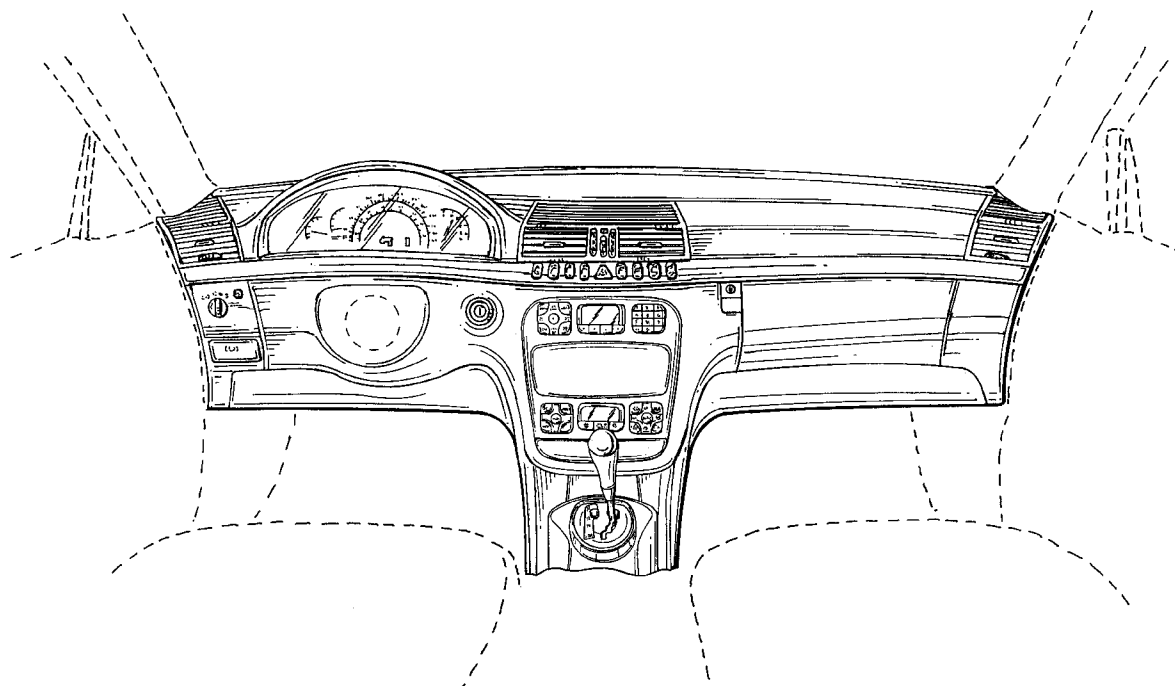
The dash line included depicts environment and is not part of the claimed design.

U.S. PATENT DOCUMENTS

The undisclosed right side of the center console is understood to be identical to that of the left side of the center console as shown in FIG. 2.

D. 285,915	9/1986	Luthe et al.	D12/192
D. 369,999	5/1996	Sacco et al.	D12/192
D. 372,010	7/1996	Pfeiffer et al.	D12/192
D. 378,585	3/1997	Duguid et al.	D12/192

1 Claim, 2 Drawing Sheets



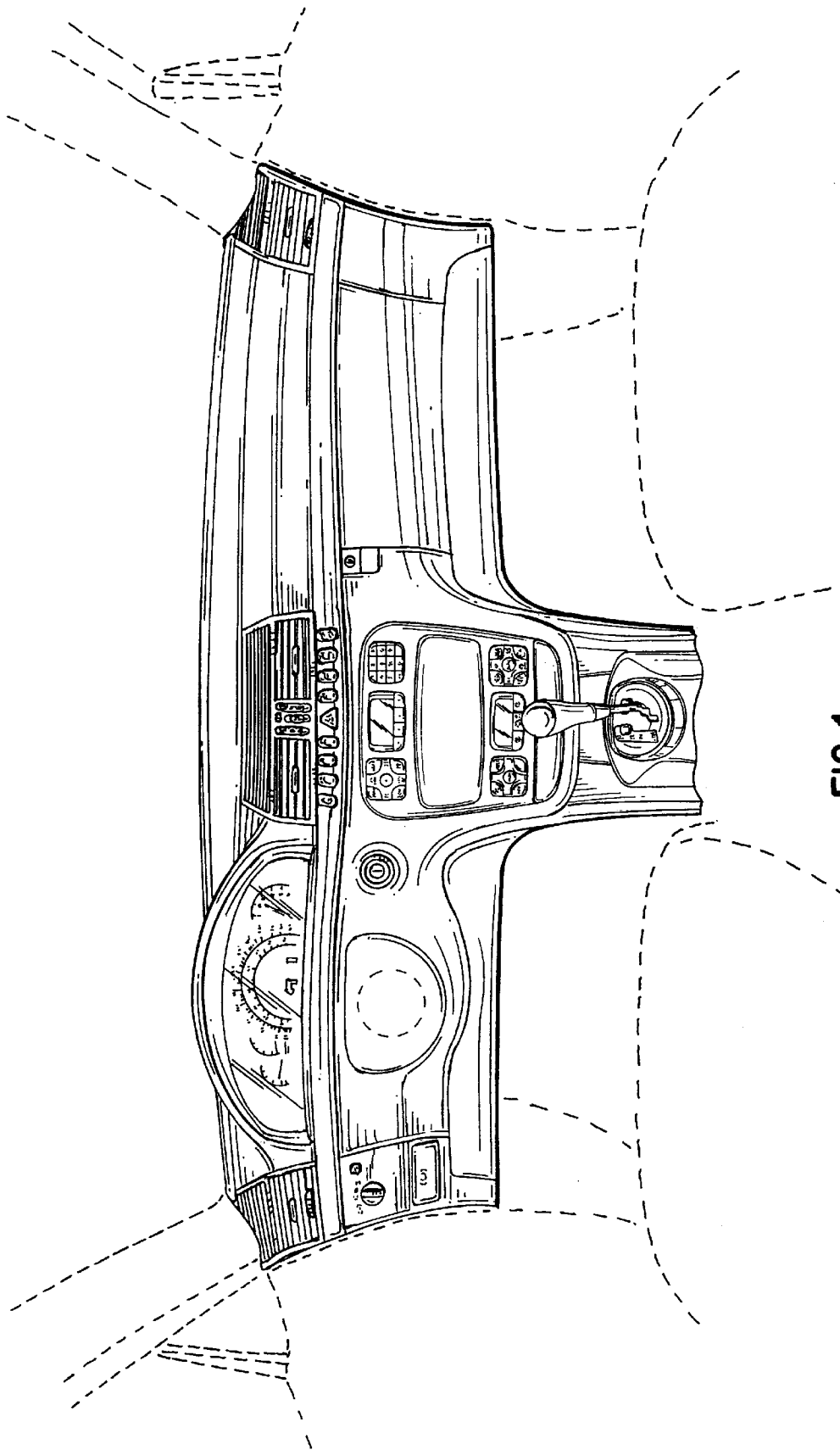


FIG. 1

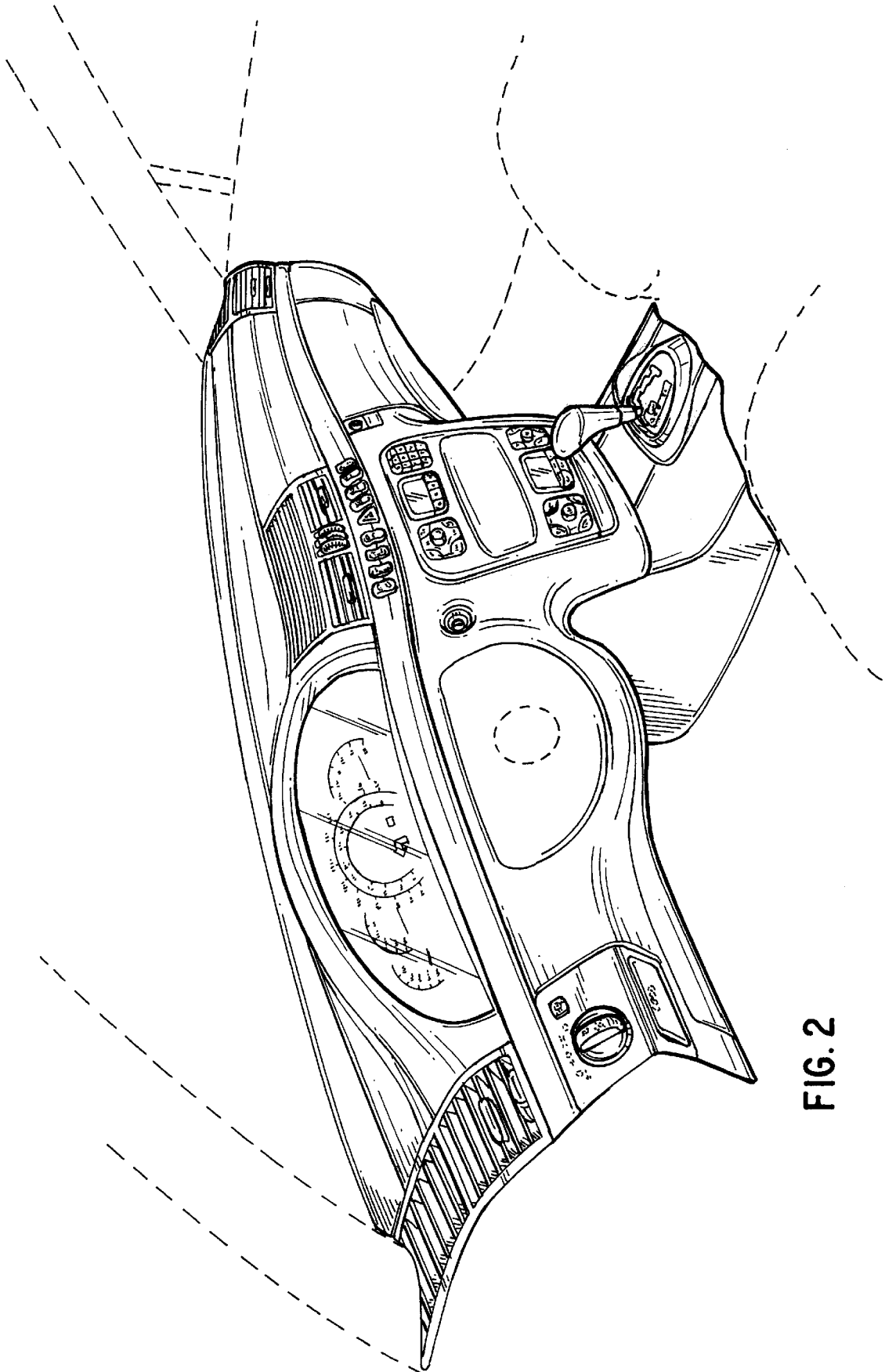


FIG. 2