



(12) **United States Design Patent** (10) **Patent No.:** **US D804,826 S**  
**Kling et al.** (45) **Date of Patent:** **\*\* Dec. 12, 2017**

(54) **BRUSH ATTACHMENT FOR A BEAUTY CARE DEVICE**

(71) Applicant: **Braun GmbH**, Kronberg (DE)  
 (72) Inventors: **Björn Kling**, Glashuetten (DE); **Britta Stockinger**, Frankfurt (DE)  
 (73) Assignee: **Braun GmbH**, Kronberg (DE)  
 (\*\*) Term: **15 Years**  
 (21) Appl. No.: **29/576,648**  
 (22) Filed: **Sep. 6, 2016**

**Related U.S. Application Data**

(62) Division of application No. 29/428,325, filed on Jul. 30, 2012, now Pat. No. Des. 768,391.

**Foreign Application Priority Data**

Jan. 31, 2012 (WO) ..... 650383901  
 (51) **LOC (10) Cl.** ..... **04-01**  
 (52) **U.S. Cl.**  
 USPC ..... **D4/127**

(58) **Field of Classification Search**

USPC ..... D4/100, 102, 127, 132, 134, 136, 138;  
 D24/146, 200, 214, 215; D28/58, 63  
 CPC .. A46B 3/00; A46B 3/005; A46B 3/22; A46B  
 5/0095; A46B 7/00; A46B 7/04; A46B  
 7/042; A46B 7/06; A46B 7/08; A46B  
 9/00; A46B 9/005; A46B 9/02; A46B  
 9/06; A46B 13/00; A46B 13/008; A46B  
 13/02; A46B 13/023; A46B 13/026; A46B  
 13/04; A46B 13/08; A46B 15/0002; A46B  
 15/0022; A46D 1/00; A47K 7/00; A47K  
 7/02; A47K 7/04; A47K 7/043; A47L  
 23/06; A61H 7/00; A61H 7/003; A61H  
 7/005; A61H 2205/022

See application file for complete search history.

(56) **References Cited**

U.S. PATENT DOCUMENTS

2,156,514 A	5/1939	Sassano	
2,682,675 A	7/1954	Prucha	
D245,883 S	9/1977	Tsuji et al.	
4,203,431 A	5/1980	Abura et al.	
D549,964 S *	9/2007	Roth	D4/102
D567,441 S *	4/2008	Kling	D28/44.1
D601,803 S *	10/2009	Reishus	D4/102
7,789,092 B2 *	9/2010	Akridge	A61B 17/50 132/200
D646,487 S *	10/2011	Leppla	D4/102

(Continued)

FOREIGN PATENT DOCUMENTS

EP	2245957 A1	11/2010
KR	210671 S	4/1998

(Continued)

*Primary Examiner* — Cathron Brooks  
*Assistant Examiner* — Aula Soroush  
 (74) *Attorney, Agent, or Firm* — Ronald T. Sia; Kevin C. Johnson; Steven W. Miller

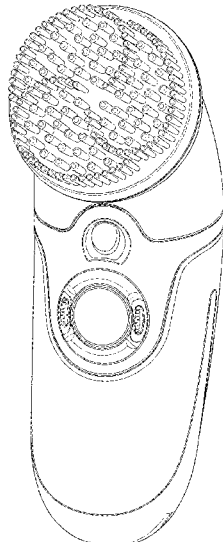
(57) **CLAIM**

The ornamental design for a brush attachment for a beauty care device, as shown and described.

**DESCRIPTION**

FIG. 1 is a perspective view of an attachment for a brush attachment for a beauty care device;  
 FIG. 2 is a front view thereof;  
 FIG. 3 is a right side view thereof;  
 FIG. 4 is a rear view thereof;  
 FIG. 5 is a left side view thereof;  
 FIG. 6 is a top plan view thereof; and,  
 FIG. 7 is a bottom view thereof.

**1 Claim, 4 Drawing Sheets**



(56)

**References Cited**

## U.S. PATENT DOCUMENTS

D652,168 S \* 1/2012 Kling ..... D24/133  
D683,139 S \* 5/2013 Chikos ..... D4/102  
D713,150 S \* 9/2014 Maurin ..... D4/102  
9,107,486 B2 \* 8/2015 Brewer ..... A45D 34/042  
9,138,257 B2 \* 9/2015 Revivo ..... A61B 17/54  
D749,325 S \* 2/2016 Middendorp ..... D4/102  
D753,399 S \* 4/2016 Owen ..... D4/100  
D759,256 S \* 6/2016 Chen ..... D24/200  
D760,498 S \* 7/2016 Kim ..... D4/102  
D764,706 S \* 8/2016 Kling ..... D28/44.1  
D768,391 S \* 10/2016 Kling ..... D4/127  
D773,823 S \* 12/2016 Wong ..... D4/102  
D776,347 S \* 1/2017 Grieshaber ..... D28/44.1  
D778,066 S \* 2/2017 Kern ..... D4/127  
2013/0023806 A1 1/2013 Ungemach et al.

## FOREIGN PATENT DOCUMENTS

KR 30-0504630 S 9/2008  
WO WO 0156529 A2 8/2001

\* cited by examiner

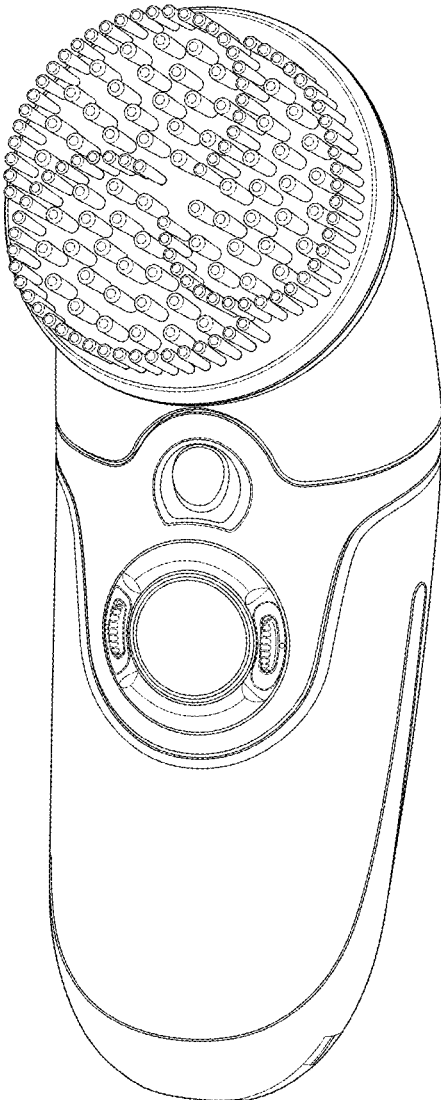


FIG. 1

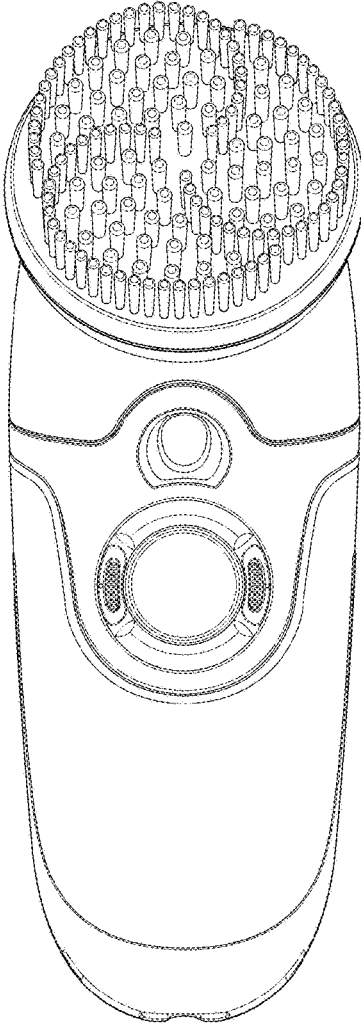


FIG. 2

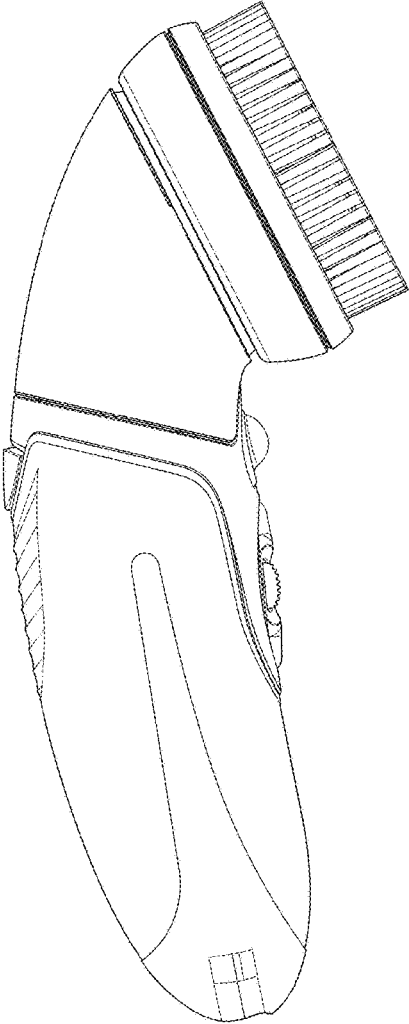


FIG. 3

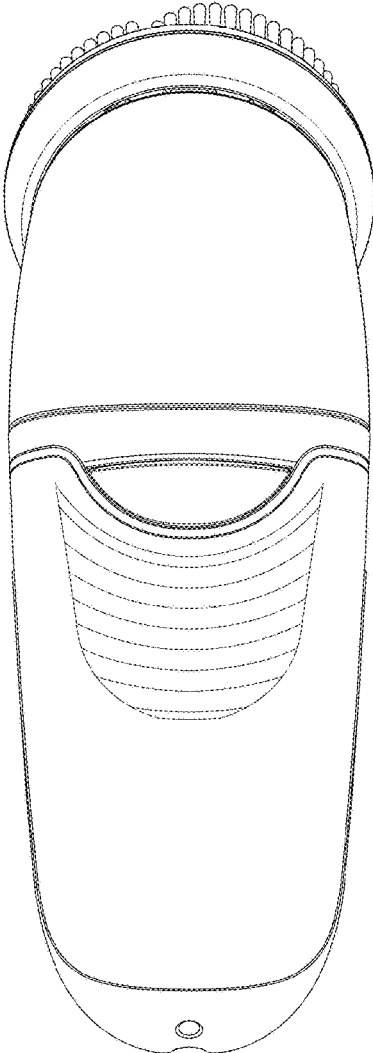


FIG. 4

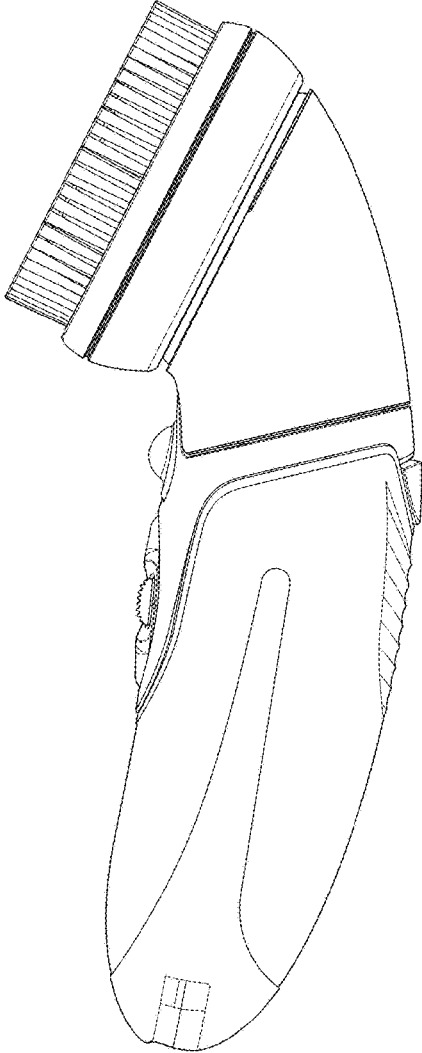


FIG. 5

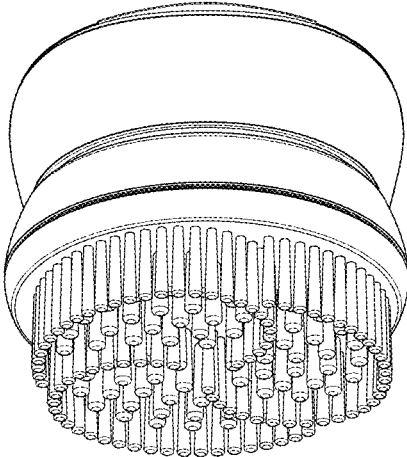


FIG. 6

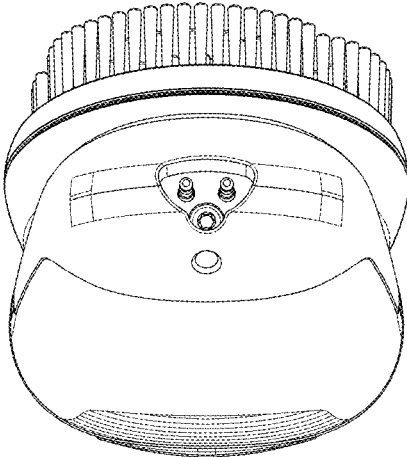


FIG. 7