

- [54] LADDER-MOUNTED UTILITY SHELF
- [76] Inventor: **Raymond E. Rasler**, E. College Ave.,
R.R. #2, Greenville, Ill. 62246
- [**] Term: **14 Years**
- [21] Appl. No.: **387,805**
- [22] Filed: **Jun. 14, 1982**
- [52] U.S. Cl. **D25/68**
- [58] Field of Search 248/238; 182/129, 214,
182/120; D25/62, 68, 69

2,930,442 3/1960 Carter 182/120

FOREIGN PATENT DOCUMENTS

2046825 11/1980 United Kingdom 248/238

Primary Examiner—A. Hugo Word
Attorney, Agent, or Firm—Jerome A. Gross

[57] **CLAIM**

The ornamental design for a ladder-mounted utility shelf, as shown and described.

DESCRIPTION

FIG. 1 is a perspective view, partly from above, of a ladder-mounted utility shelf embodying my new design. FIG. 2 is a perspective view of the reverse side thereof. FIG. 3 is a side view as seen from the right of FIG. 1.

- [56] **References Cited**
- U.S. PATENT DOCUMENTS**
- D. 248,777 8/1978 Spencer et al. D25/68
- 2,585,150 2/1952 McGill 248/238 X

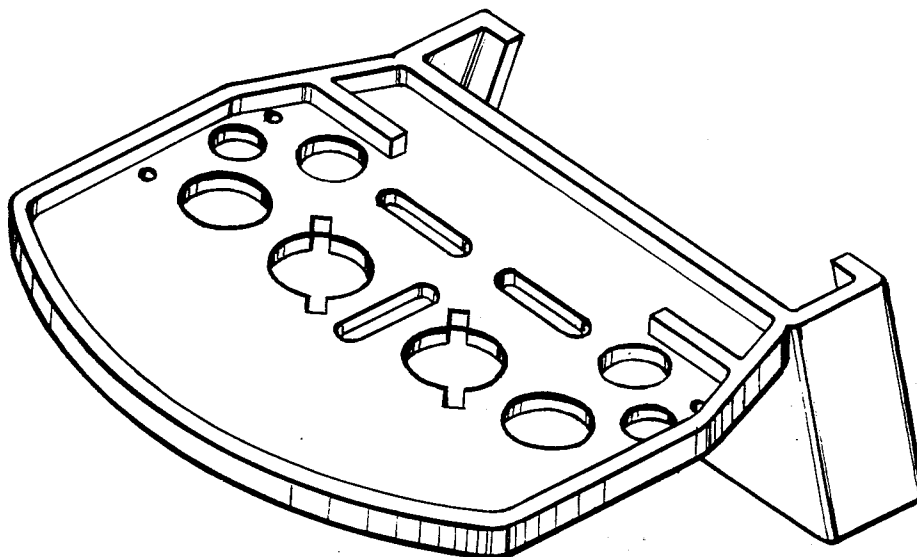


FIG. 1

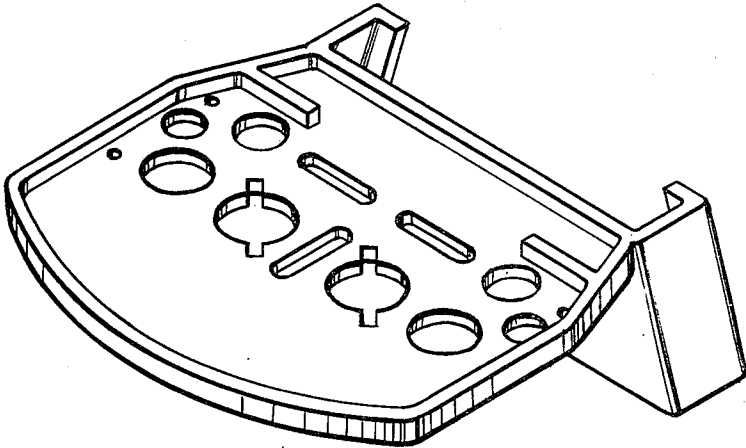


FIG. 2

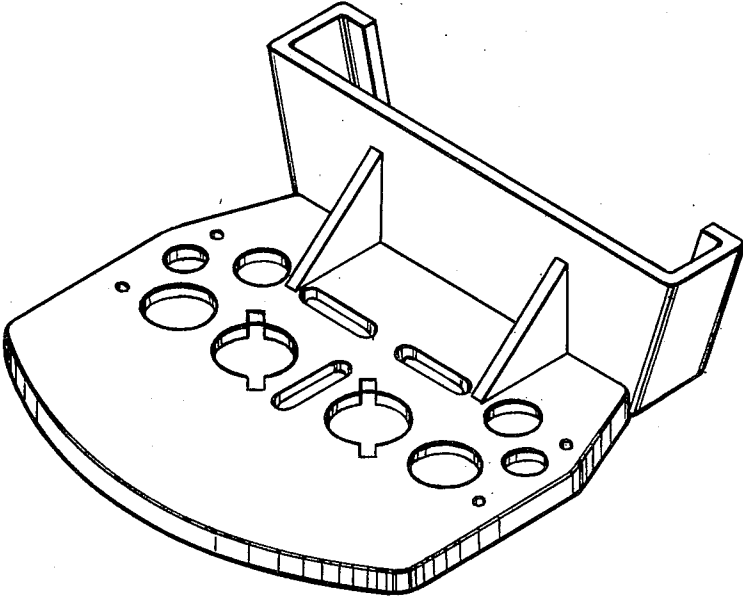


FIG. 3

