



US00D540829S

(12) **United States Design Patent**
Johnson et al.

(10) **Patent No.:** **US D540,829 S**

(45) **Date of Patent:** **** Apr. 17, 2007**

(54) **TRACTOR LOADER BACKHOE WITH TRACKS**

(75) Inventors: **Larry Alan Johnson**, Burlington, IA (US); **Carl J. Hagele**, Newark, IL (US); **Wayne Ervin Bietz**, Burlington, IA (US)

(73) Assignee: **CNH America LLC**, New Holland, PA (US)

(**) Term: **14 Years**

(21) Appl. No.: **29/255,919**

(22) Filed: **Mar. 14, 2006**

(51) **LOC (8) Cl.** **12-09**

(52) **U.S. Cl.** **D15/25**

(58) **Field of Classification Search** D15/10, D15/22-26, 33; D21/537; 37/442, 443, 341, 37/403; 180/89.1, 331, 89.12, 326, 89.13, 180/327; 296/190, 202, 190.04, 190.08; 414/685, 414/694, 722, 724; 212/304; 280/765.1, 759
See application file for complete search history.

(56) **References Cited**

U.S. PATENT DOCUMENTS

3,489,303	A	*	1/1970	McMullen et al.	414/686
3,606,047	A	*	9/1971	Schaeff	414/694
3,612,310	A	*	10/1971	Schaeff	414/694
3,893,728	A	*	7/1975	Holopainen	296/65.07
4,182,456	A	*	1/1980	Paul	414/685
5,018,591	A	*	5/1991	Price	180/9.5

5,242,152	A	*	9/1993	Schatz	254/30
5,265,995	A	*	11/1993	Beck	414/694
D364,879	S	*	12/1995	Bastian et al.	D15/24
D375,506	S	*	11/1996	Bastian et al.	D15/24
5,778,569	A	*	7/1998	Schaeff	37/410
D406,151	S	*	2/1999	Cunningham et al.	D15/25
D416,266	S	*	11/1999	Del Torchio	D15/25
D431,575	S	*	10/2000	Park	D15/25
6,176,334	B1	*	1/2001	Lorenzen	180/9.48
6,637,136	B2	*	10/2003	Aoki et al.	37/468
D514,596	S	*	2/2006	Radke	D15/25

* cited by examiner

Primary Examiner—Stella Reid

Assistant Examiner—Mark Goodwin

(74) *Attorney, Agent, or Firm*—Stephen A. Bucchianeri; John William Stader; Michael G. Harms

(57) **CLAIM**

The ornamental design for a tractor loader backhoe with tracks, as shown.

DESCRIPTION

FIG. 1 is a left side view of the tractor loader backhoe with tracks showing our new design.

FIG. 2 is a front view of the tractor loader backhoe with tracks.

FIG. 3 is a top view of the tractor loader backhoe with tracks.

FIG. 4 is a rear view of the tractor loader backhoe with tracks; and,

FIG. 5 is a right side view of the tractor loader backhoe with tracks.

1 Claim, 5 Drawing Sheets

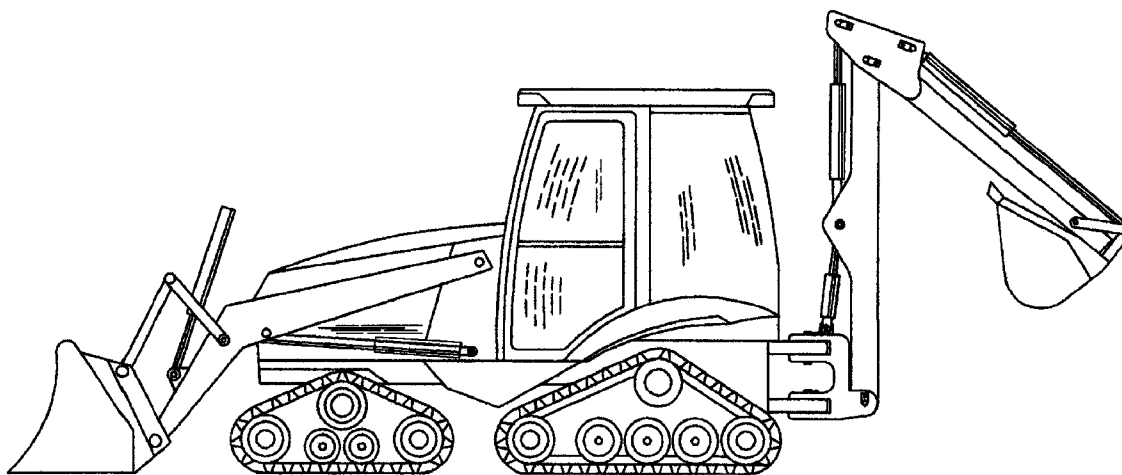
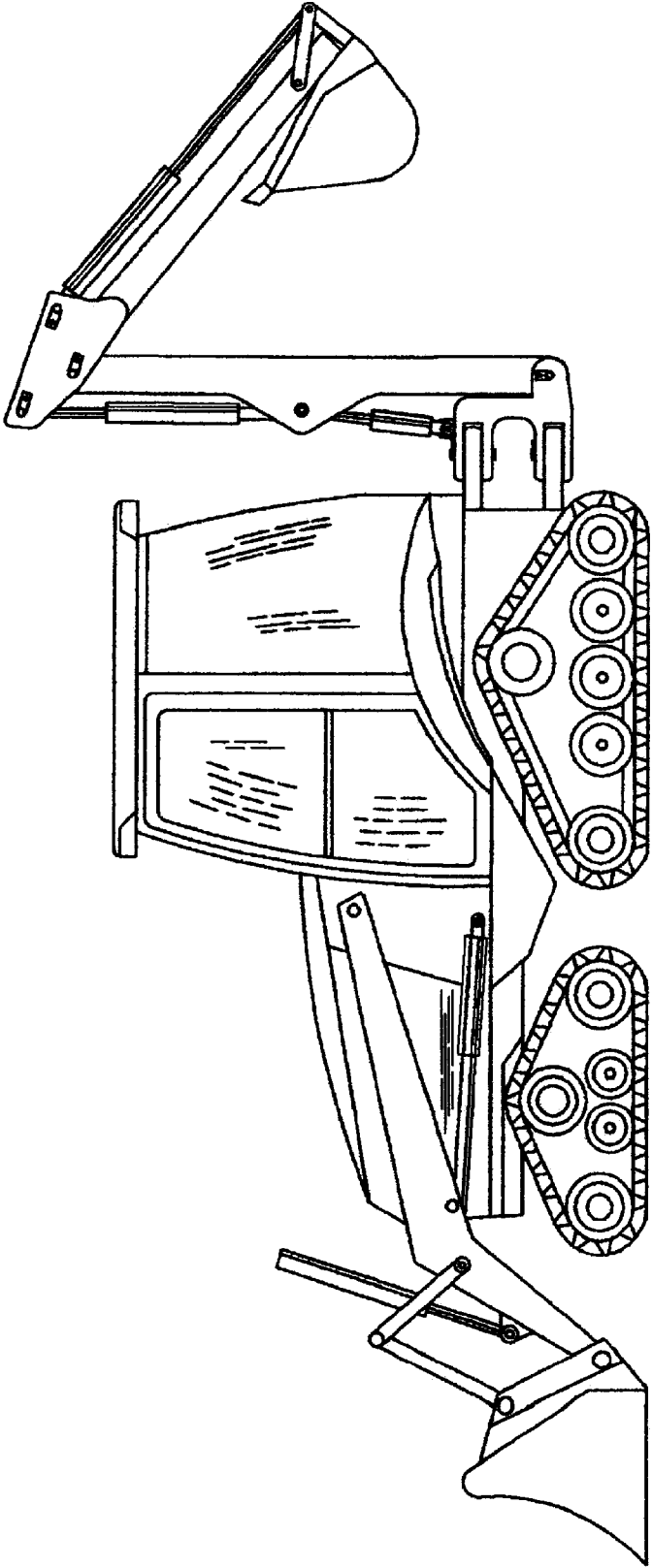


FIG. 1



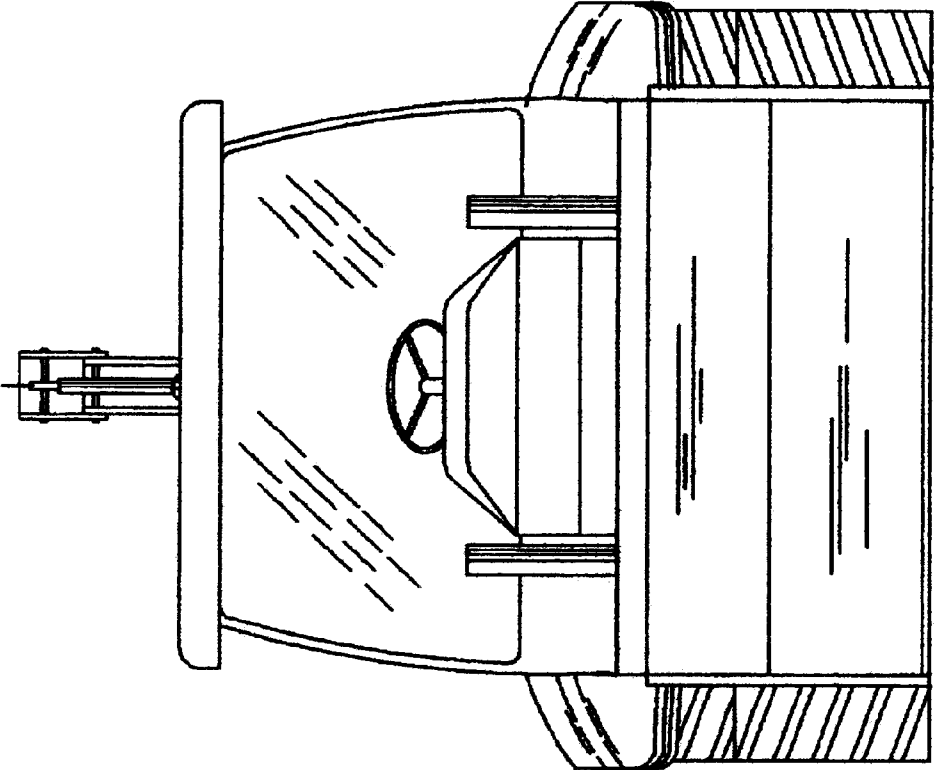
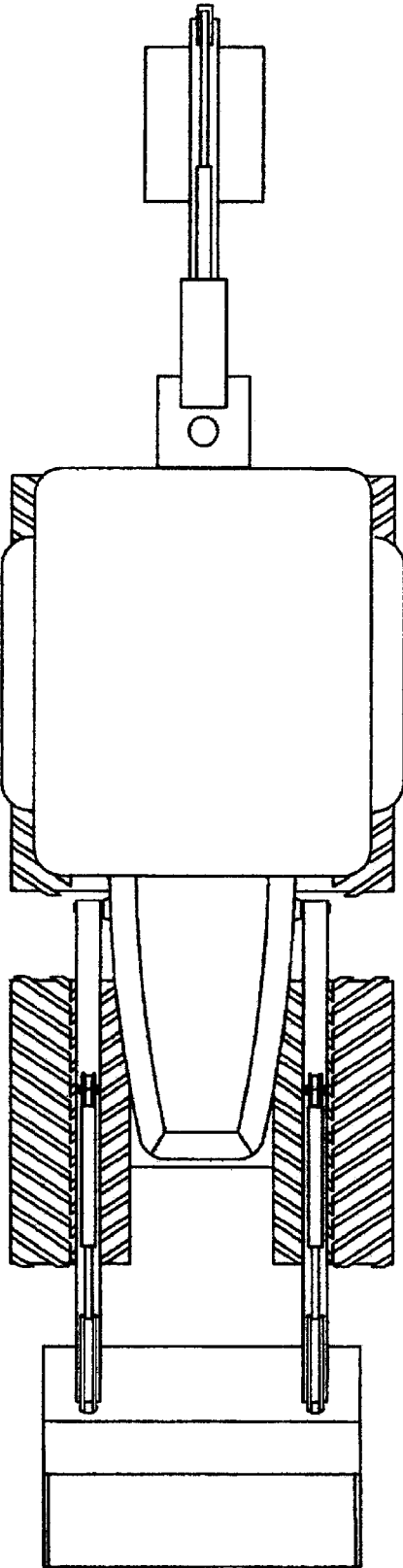


FIG.2

FIG.3



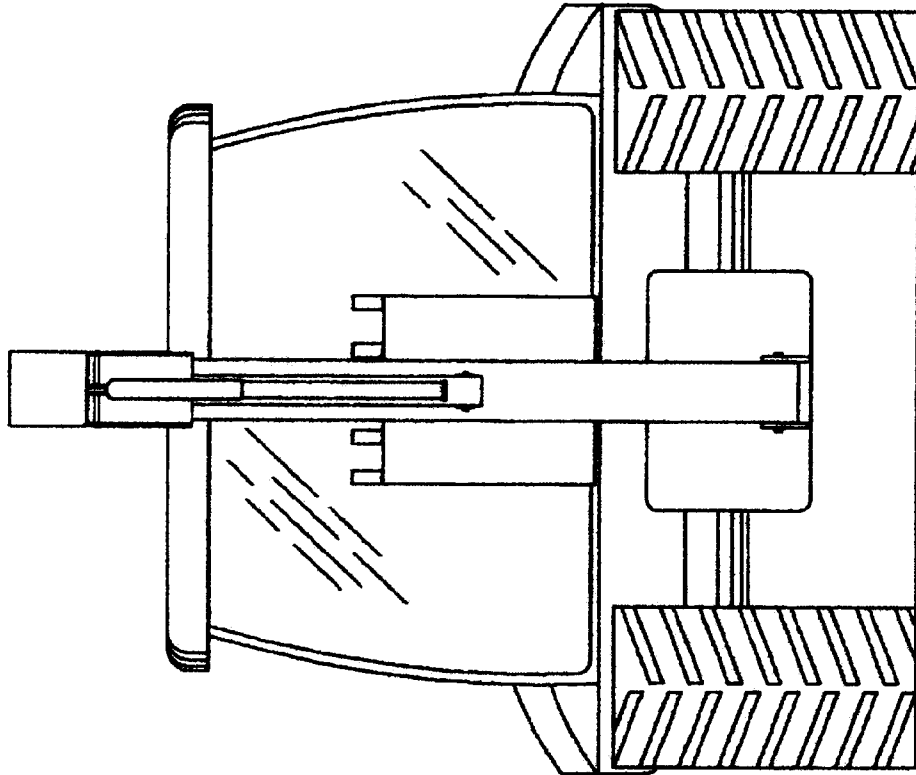


FIG.4

FIG. 5

