



US00D882802S

(12) **United States Design Patent**
Remedios et al.

(10) **Patent No.:** **US D882,802 S**

(45) **Date of Patent:** **** Apr. 28, 2020**

(54) **MEDICAL CONSOLE**

(71) Applicant: **BlackHagen-Design, Inc.**, Dunedin, FL (US)

(72) Inventors: **Philip J. D'Almada Remedios**, Palm Harbor, FL (US); **Bartosz Korec**, Palm Harbor, FL (US)

(73) Assignee: **BlackHagen-Design, Inc.**, Dunedin, FL (US)

(**) Term: **15 Years**

(21) Appl. No.: **29/637,732**

(22) Filed: **Feb. 21, 2018**

(51) **LOC (12) Cl.** **24-02**

(52) **U.S. Cl.**
USPC **D24/185**

(58) **Field of Classification Search**
USPC D24/185, 164, 186, 200, 144; D14/339
CPC A61B 5/015; A61B 5/7475; A61B 18/1206
See application file for complete search history.

(56) **References Cited**

U.S. PATENT DOCUMENTS

3,335,716	A *	8/1967	Alt	A61B 5/015
				600/476
D354,741	S *	1/1995	Hutcheson	D14/339
D503,807	S *	4/2005	Ryan	D24/200
D505,726	S *	5/2005	Ryan	D24/200
D508,998	S *	8/2005	Ryan	D24/200
D670,386	S *	11/2012	Yanagawa	D24/144
8,574,187	B2 *	11/2013	Marion	A61B 18/1206
				604/37

D712,031	S *	8/2014	Feng	D24/144
D734,475	S *	7/2015	Ross	D24/185
D735,343	S *	7/2015	Dorsey	D24/186
D775,345	S *	12/2016	Aguirre	D24/164
2019/0254614	A1 *	8/2019	Remedios	A61B 5/7475

* cited by examiner

Primary Examiner — Rhea Shields

(74) *Attorney, Agent, or Firm* — Smith & Hopen, P.A.; Steven M. Forte; Nilay J. Choksi

(57) **CLAIM**

The ornamental design for a medical console, as substantially shown and described.

DESCRIPTION

FIG. 1 is a front perspective view of a medical console, showing the novel design.

FIG. 2 is a bottom/rear perspective view of the medical console shown in FIG. 1.

FIG. 3 is an elevated front view of the medical console shown in FIG. 1.

FIG. 4 is an elevated rear view of the medical console shown in FIG. 1.

FIG. 5 is a right side view of the medical console shown in FIG. 1.

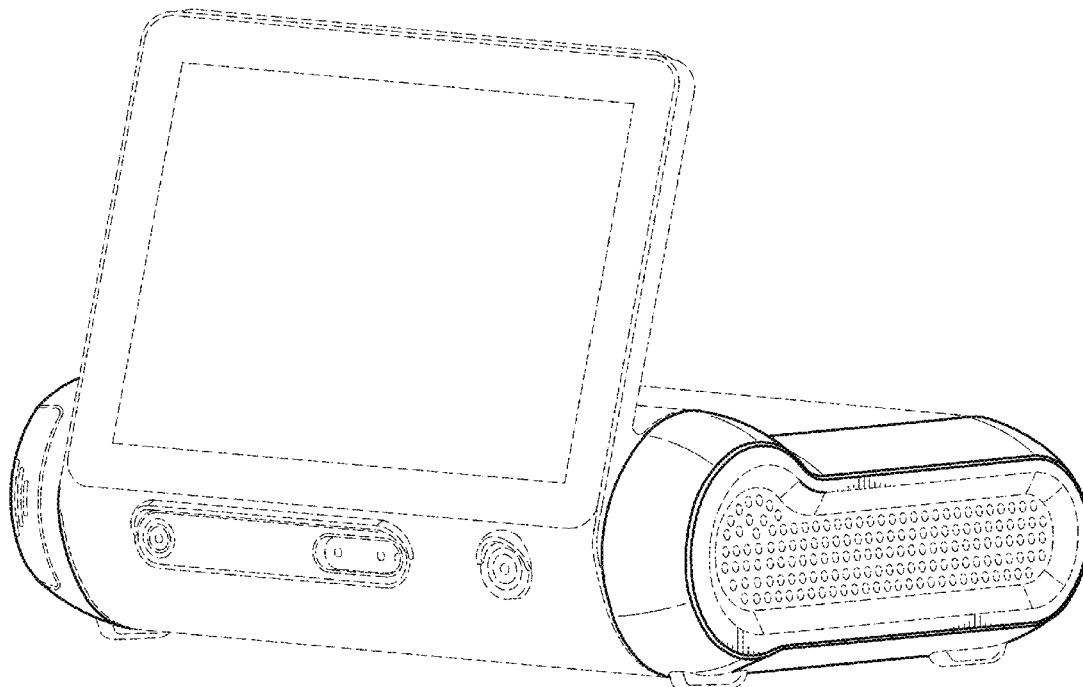
FIG. 6 is left side view of the medical console shown in FIG. 1.

FIG. 7 is an elevated top view of the medical console shown in FIG. 1; and,

FIG. 8 is an elevated bottom view of the medical console shown in FIG. 1.

The matter delineated in broken lines forms no part of the claimed ornamental design.

1 Claim, 8 Drawing Sheets



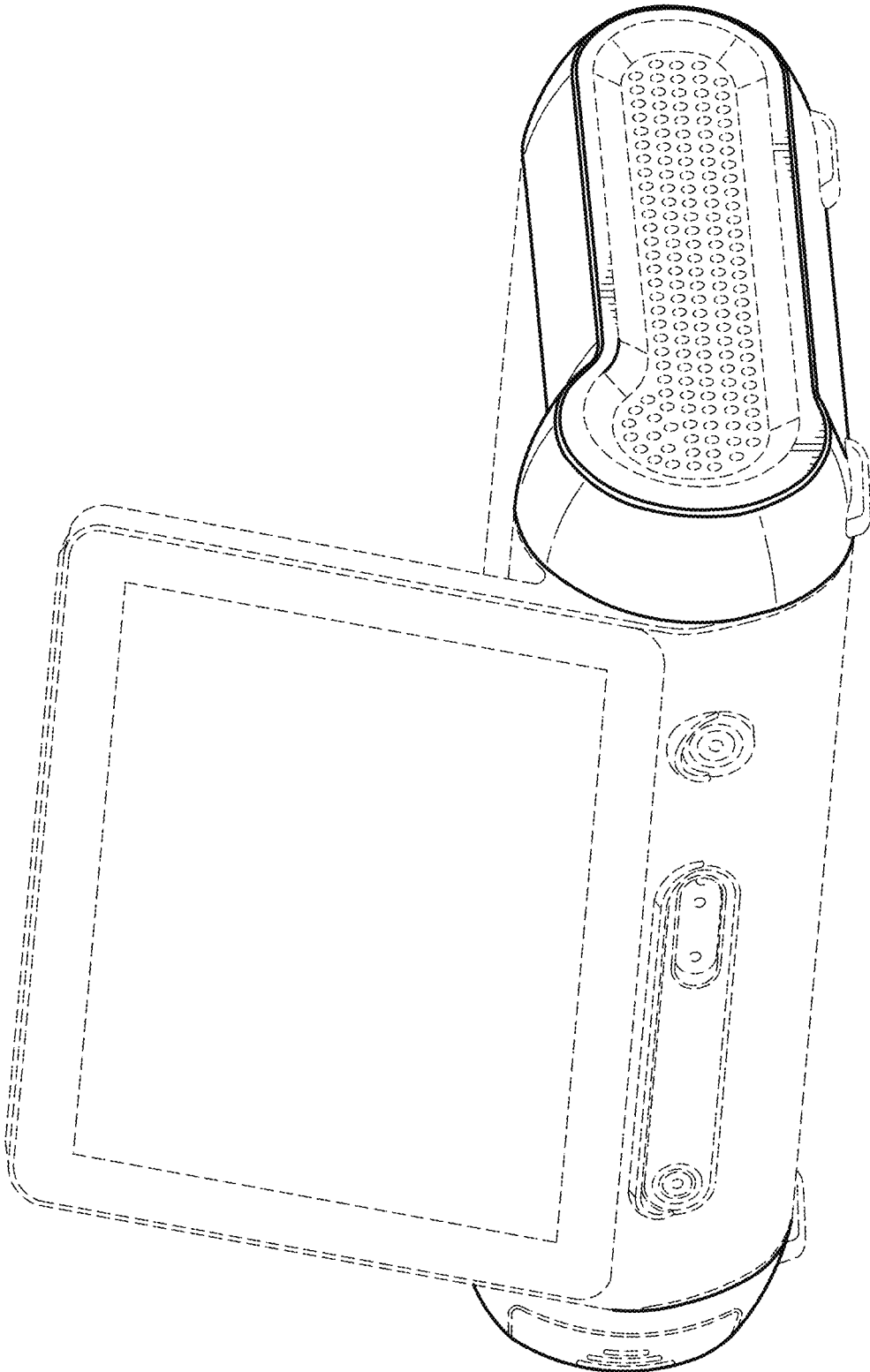


FIG. 1

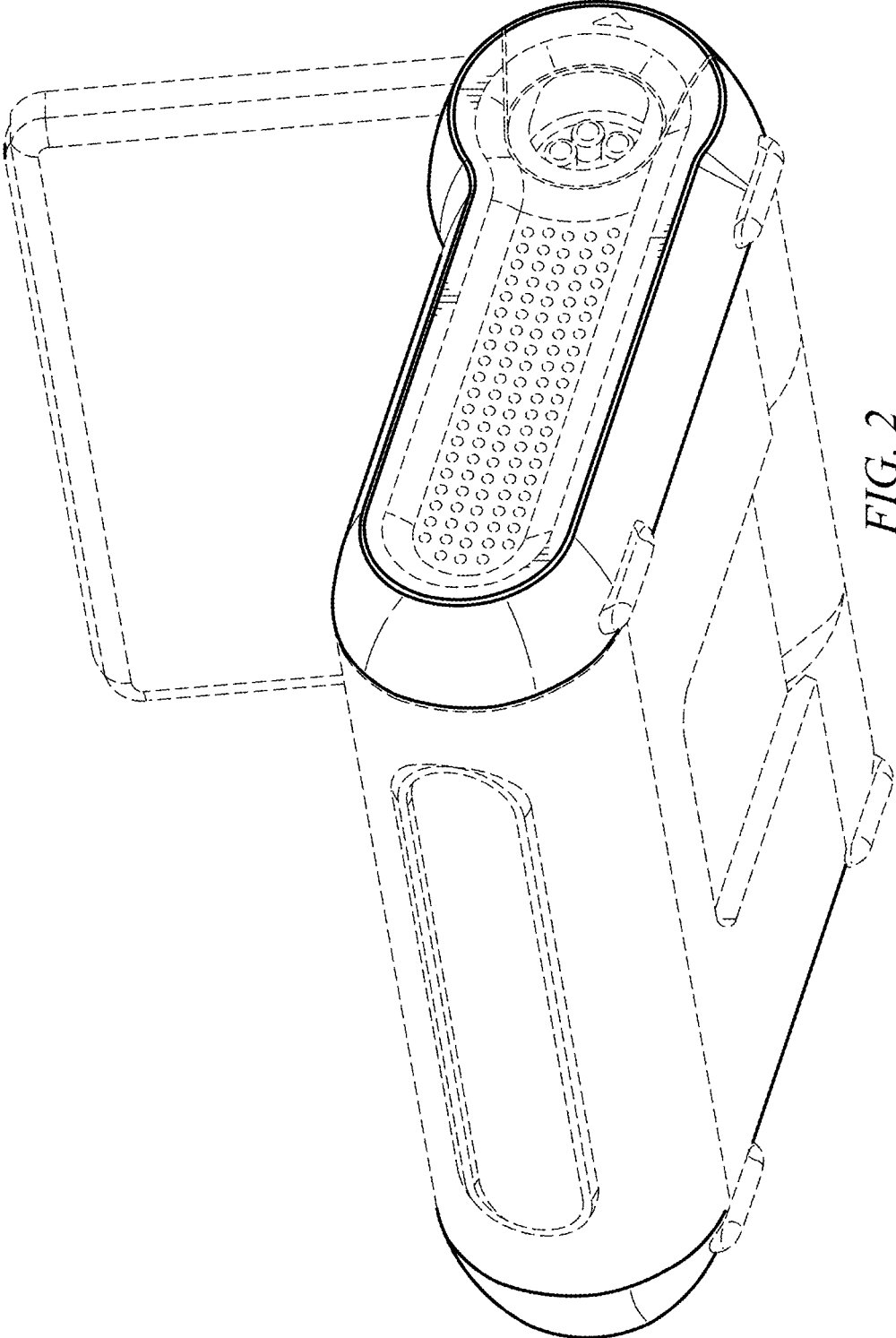


FIG. 2

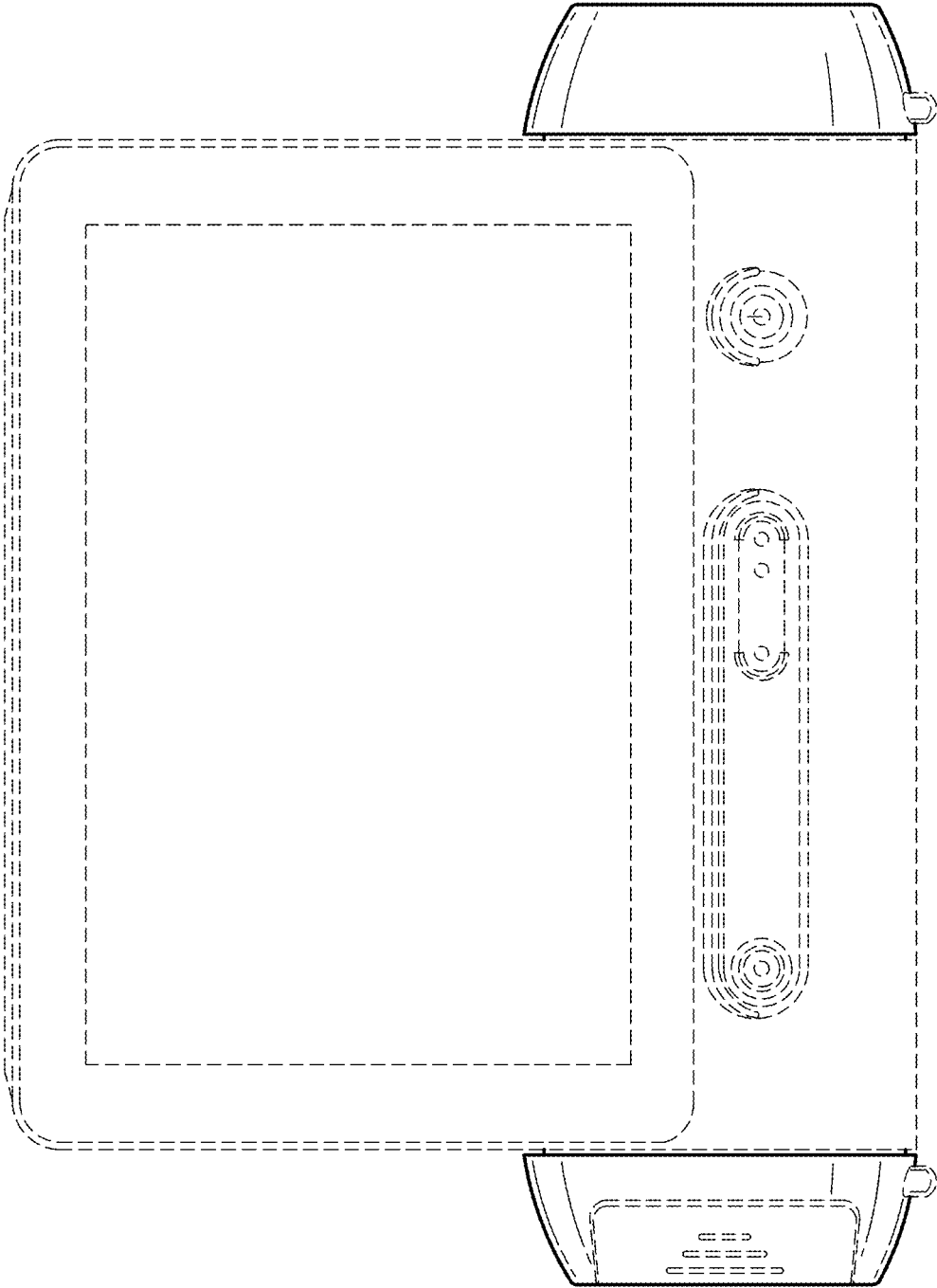


FIG. 3

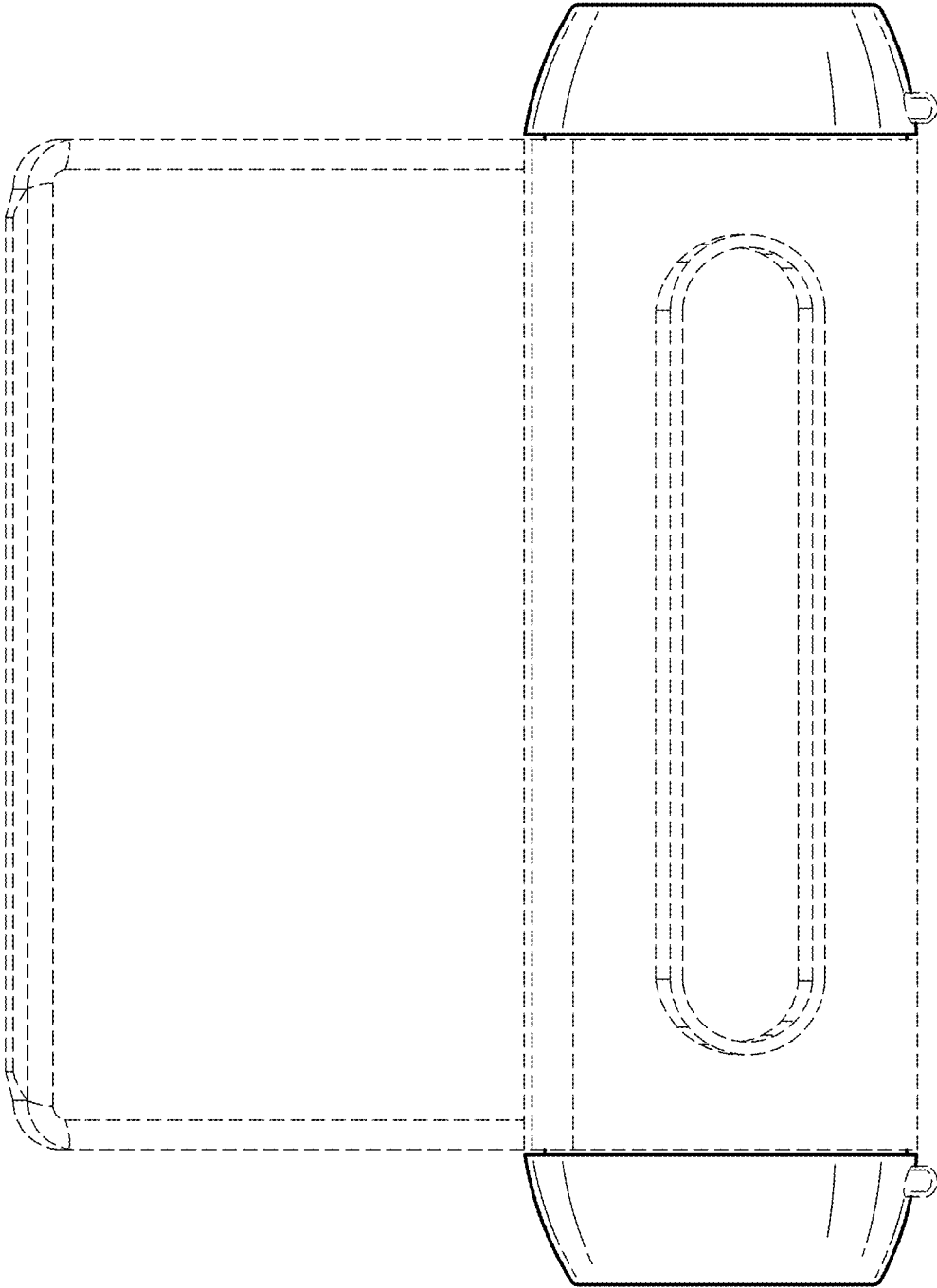


FIG. 4

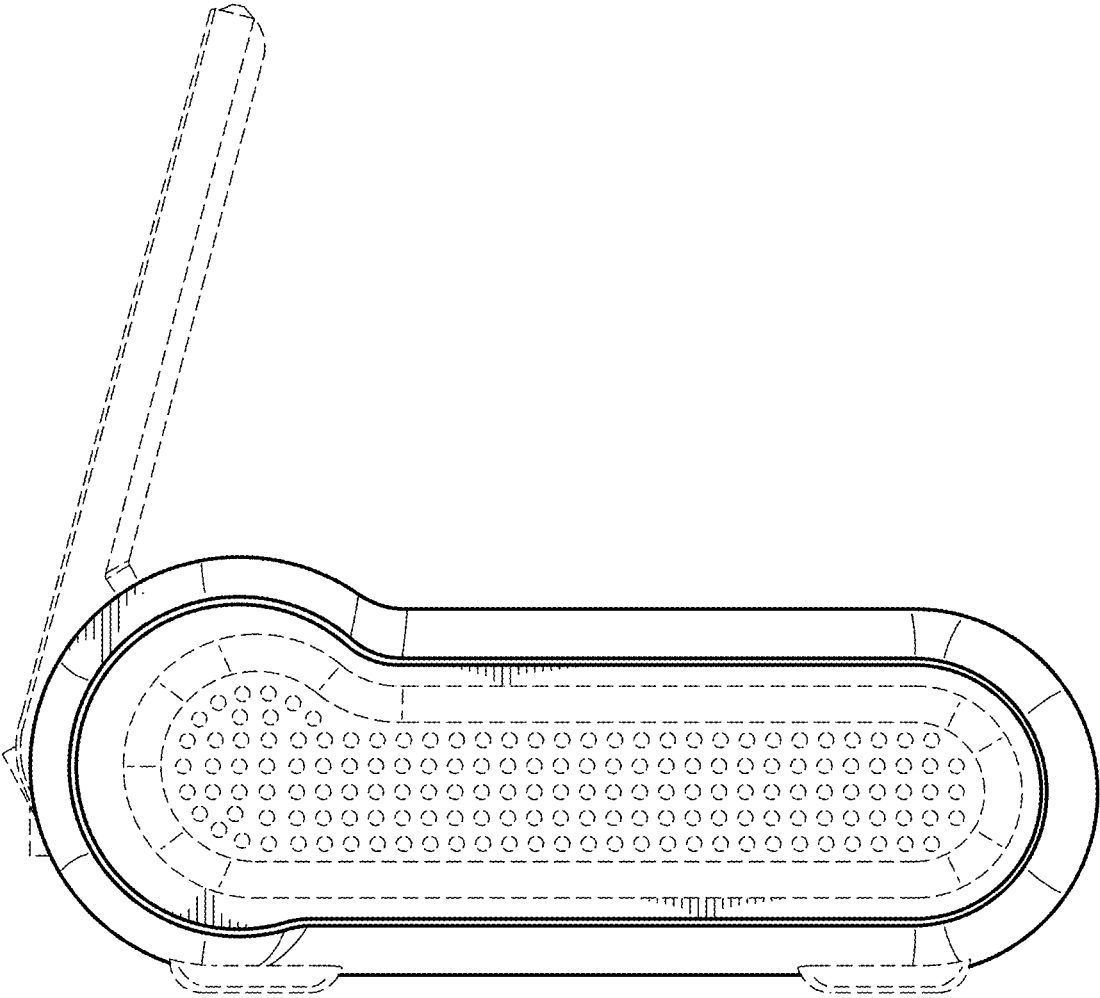


FIG. 5

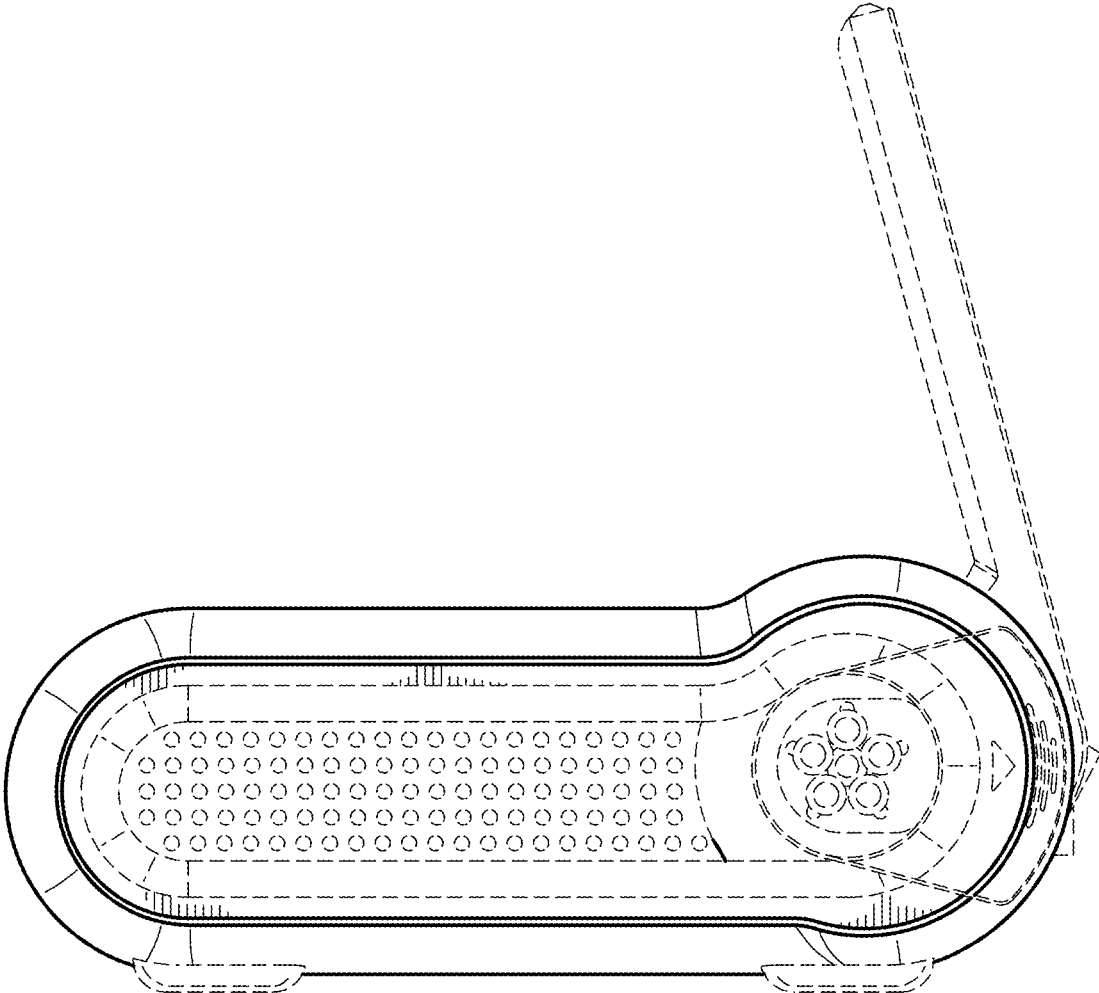


FIG. 6

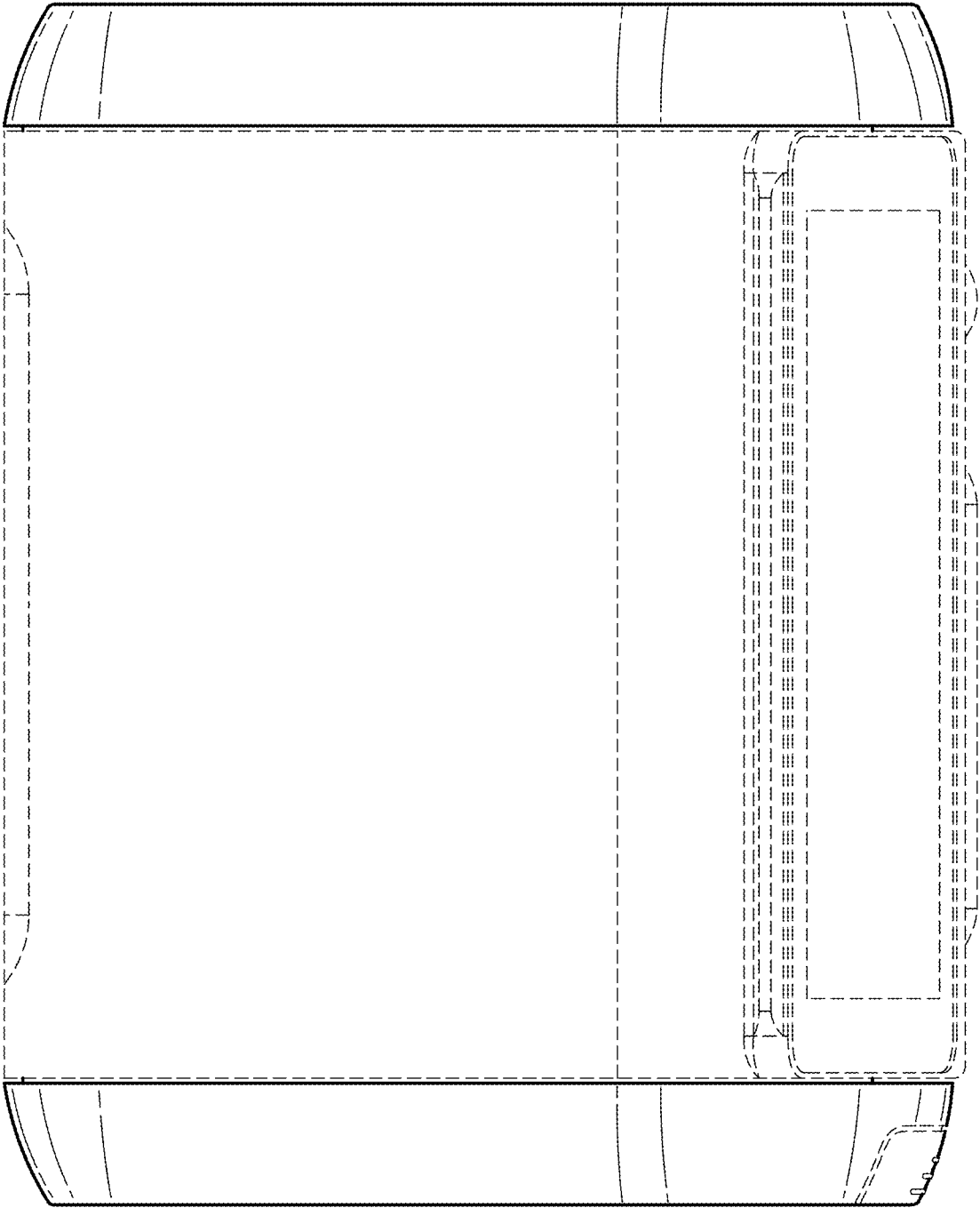


FIG. 7

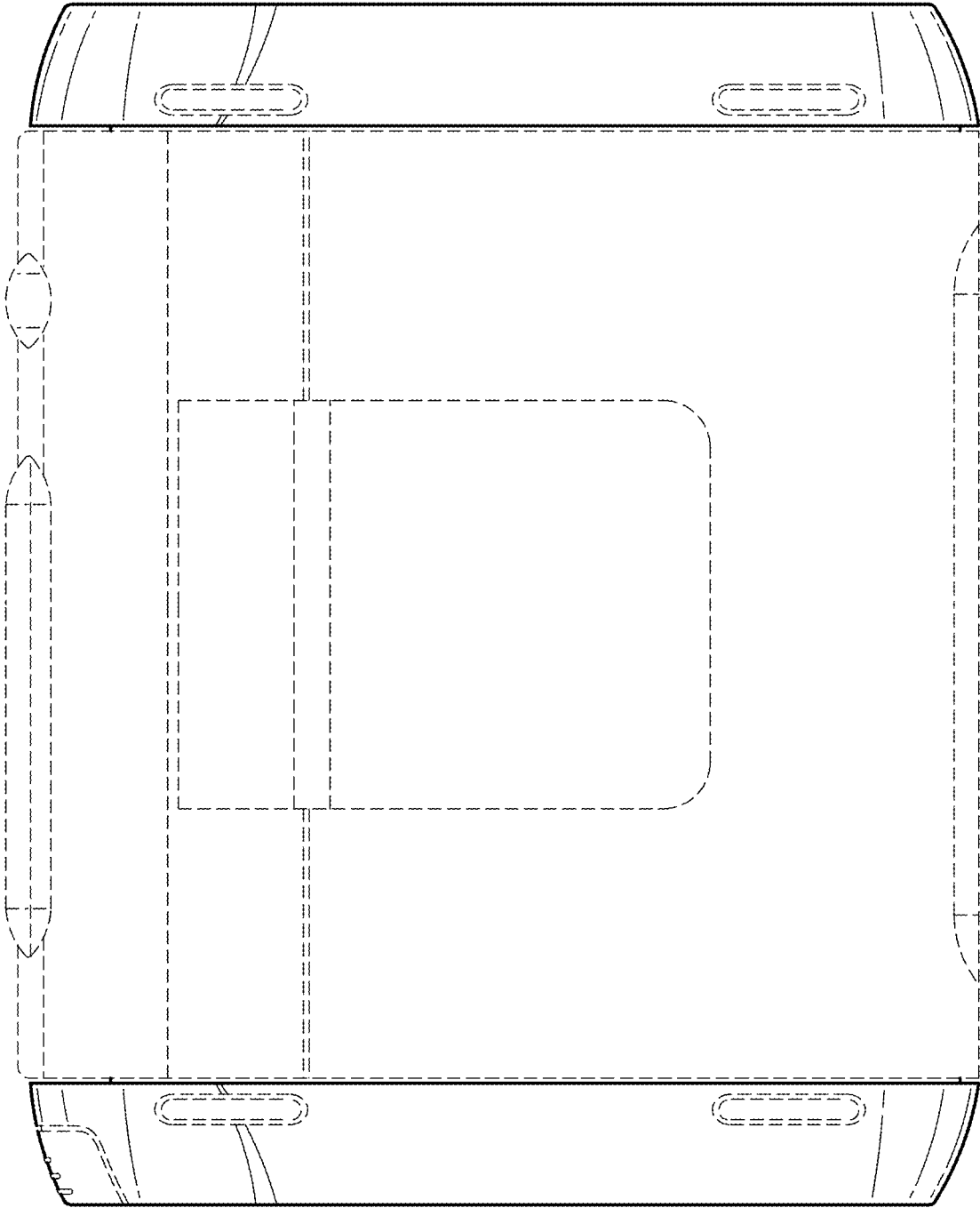


FIG. 8