



US00D618356S

(12) **United States Design Patent**
Ross

(10) **Patent No.:** **US D618,356 S**

(45) **Date of Patent:** **** Jun. 22, 2010**

(54) **TANK HOLDER**

(75) Inventor: **Christopher G. Ross**, Del Mar, CA (US)

(73) Assignee: **Nellcor Puritan Bennett LLC**, Boulder, CO (US)

(**) Term: **14 Years**

(21) Appl. No.: **29/351,401**

(22) Filed: **Dec. 4, 2009**

(51) **LOC (9) Cl.** **24-01**

(52) **U.S. Cl.** **D24/185; D8/373; D29/130**

(58) **Field of Classification Search** D24/164, D24/167, 184-185, 231; D8/53, 100, 354, D8/356, 365, 371, 373, 394-396, 499; D6/573; D12/51, 214; D29/125, 130; 24/546, 563, 24/327, 334; 248/74.2, 300-301, 312-313, 248/316.7, 229.26, 311.2; 280/645; 294/159; 224/275, 407; 16/363; 297/188.02

See application file for complete search history.

(56) **References Cited**

U.S. PATENT DOCUMENTS

3,224,720	A	*	12/1965	Hain	248/313
3,565,384	A	*	2/1971	Lockwood	248/312
D222,527	S	*	11/1971	Ziaylek	D8/373
3,970,344	A	*	7/1976	Baumann	297/188.02
D245,929	S	*	9/1977	Montambo	D29/130
D252,121	S	*	6/1979	Rutherford	D6/573
4,213,592	A	*	7/1980	Lingenfelter	248/313
4,213,648	A	*	7/1980	Steichen	280/645
4,294,481	A	*	10/1981	Pearl	294/159
D281,951	S	*	12/1985	LaMeyer et al.	D8/396
4,696,420	A	*	9/1987	Kulik	224/275
D307,494	S	*	4/1990	Goodnight	D8/395
D319,003	S	*	8/1991	Scharrenberg, Jr.	D8/373
5,191,679	A	*	3/1993	Harper	16/363
5,340,140	A	*	8/1994	Bynum	224/407
D372,189	S	*	7/1996	Andis et al.	D8/373

D394,381	S	*	5/1998	Ziaylek et al.	D8/354
D411,651	S	*	6/1999	Fougerousse	D29/125
D494,049	S	*	8/2004	Ziaylek et al.	D8/373
D503,832	S	*	4/2005	Kennon	D29/130
D522,180	S	*	5/2006	Goria, II	D29/130
D528,904	S	*	9/2006	Reding	D8/395
7,287,735	B2	*	10/2007	Heerd et al.	248/311.2
D590,107	S	*	4/2009	Poulin, Jr.	D29/125
D601,076	S	*	9/2009	Ziaylek	D12/214

* cited by examiner

Primary Examiner—T. Chase Nelson

Assistant Examiner—Mark Cavanna

(57) **CLAIM**

The ornamental design for a tank holder, as shown and described.

DESCRIPTION

FIG. 1 is a perspective view of a tank holder according to the present invention;

FIG. 2 is a front elevational view of the tank holder shown in FIG. 1;

FIG. 3 is a rear elevational view of the tank holder shown in FIG. 1;

FIG. 4 is a right side elevational view of the tank holder shown in FIG. 1;

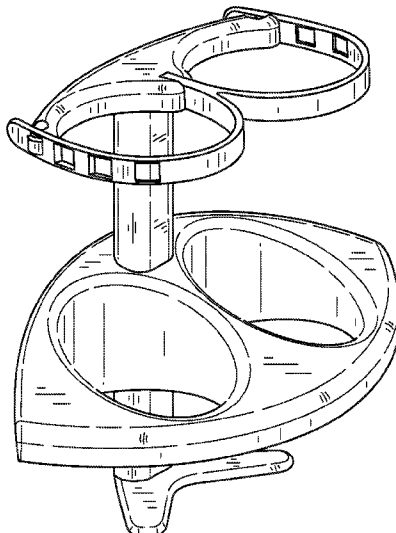
FIG. 5 is a left side elevational view of the tank holder shown in FIG. 1;

FIG. 6 is a top plan view of the tank holder shown in FIG. 1;

FIG. 7 is a bottom plan view of the tank holder shown in FIG. 1; and,

FIG. 8 is a perspective view of the tank holder illustrated in FIG. 1, wherein the tank holder is shown attached to a medical ventilator and holding a pair of tanks, and wherein the broken lines are shown for environmental purposes only and form no part of the claimed design.

1 Claim, 6 Drawing Sheets



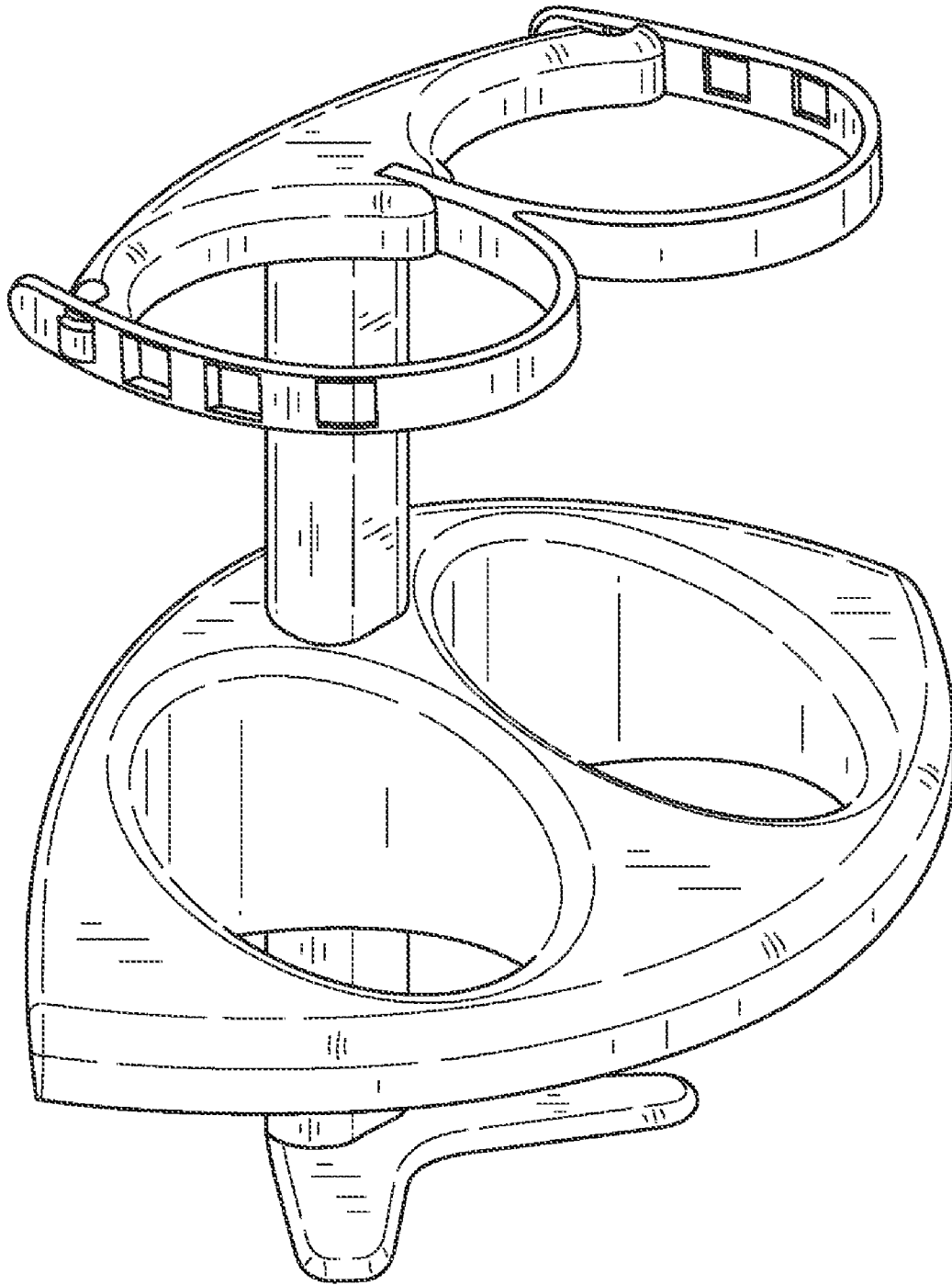


FIG.1

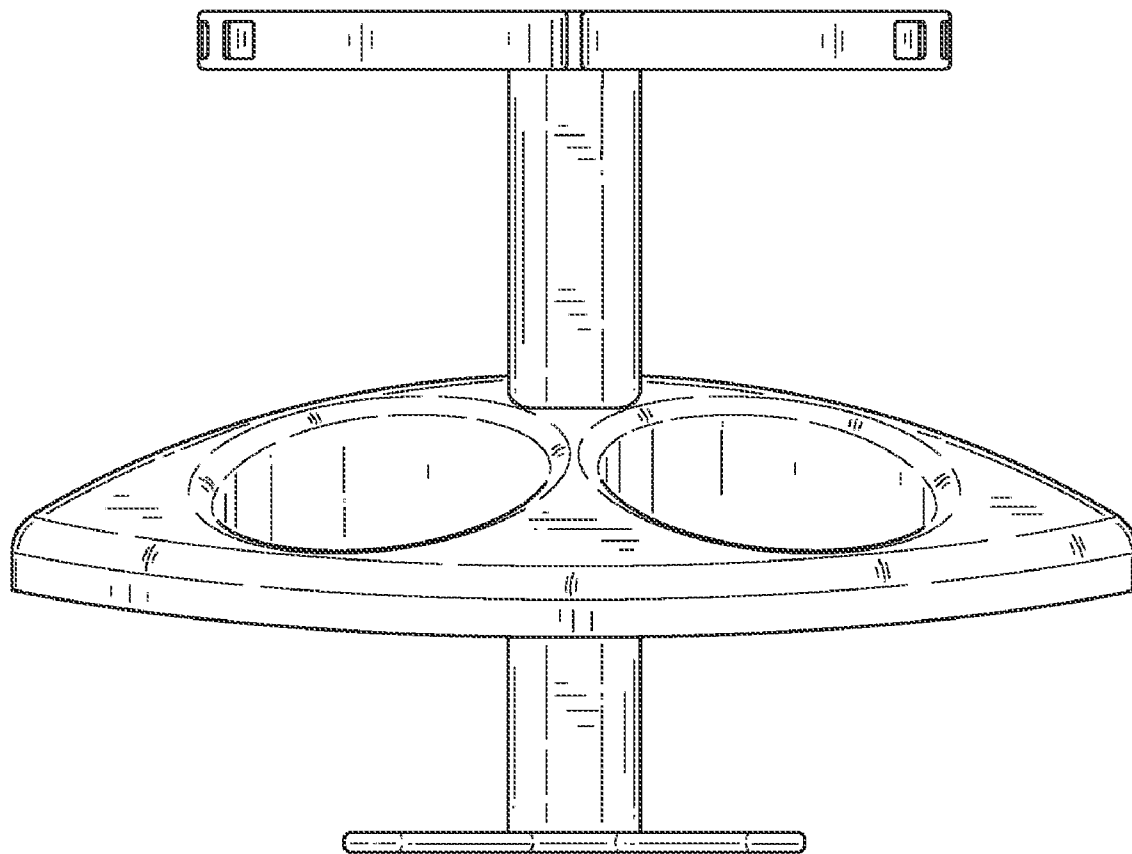


FIG.2

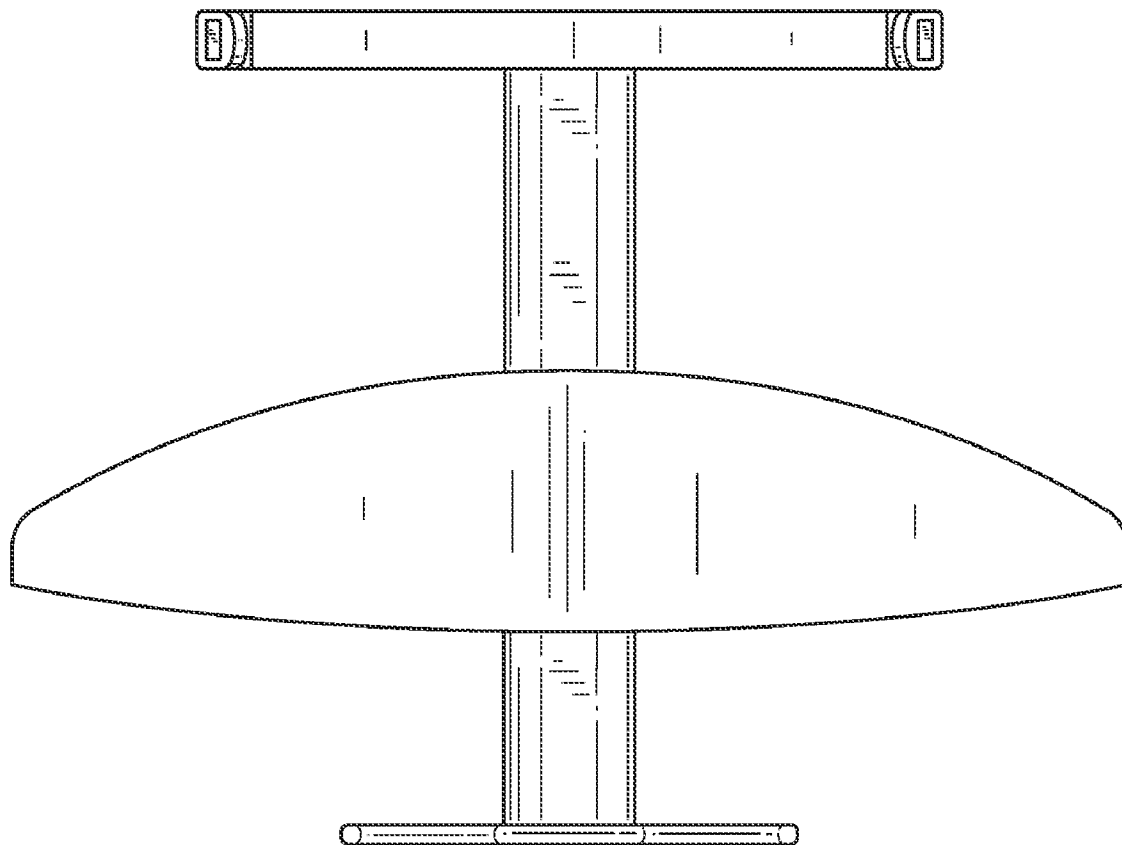


FIG. 3

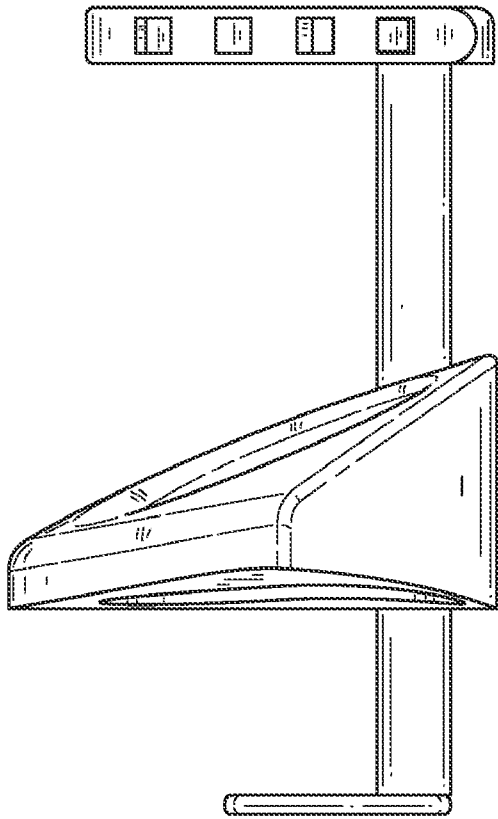


FIG. 4

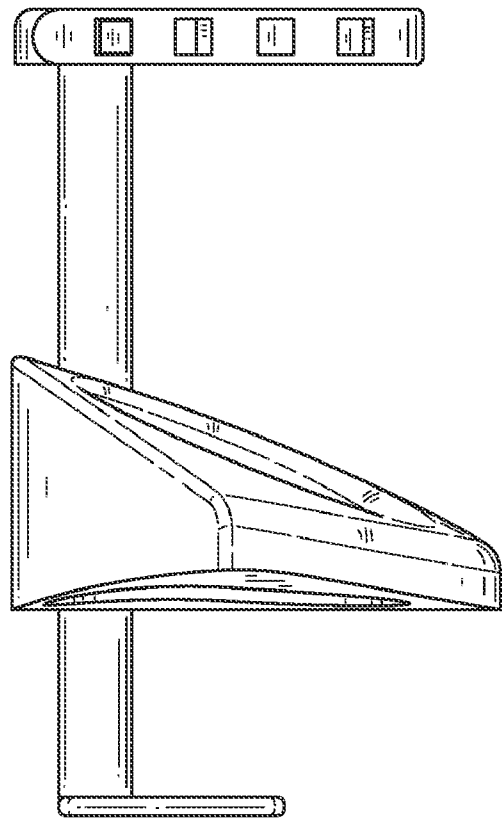


FIG. 5

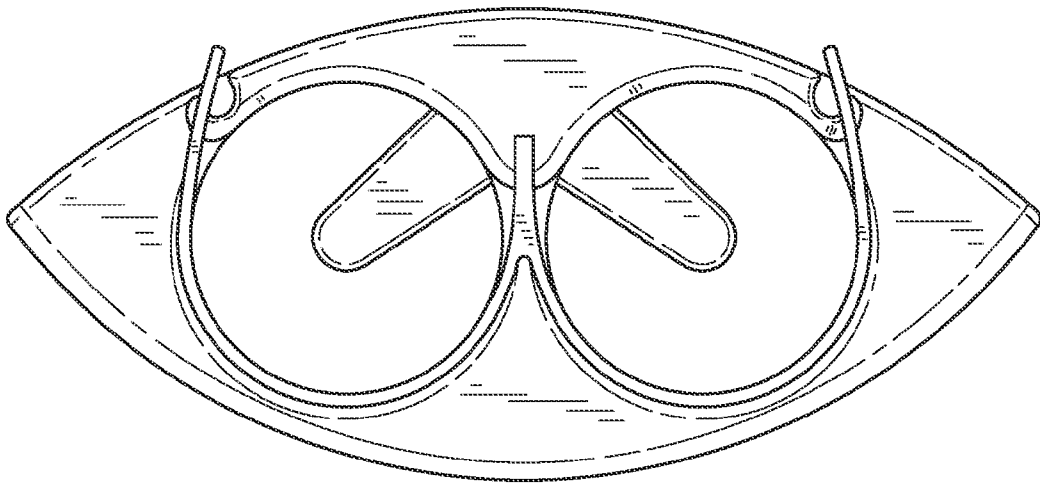


FIG. 6

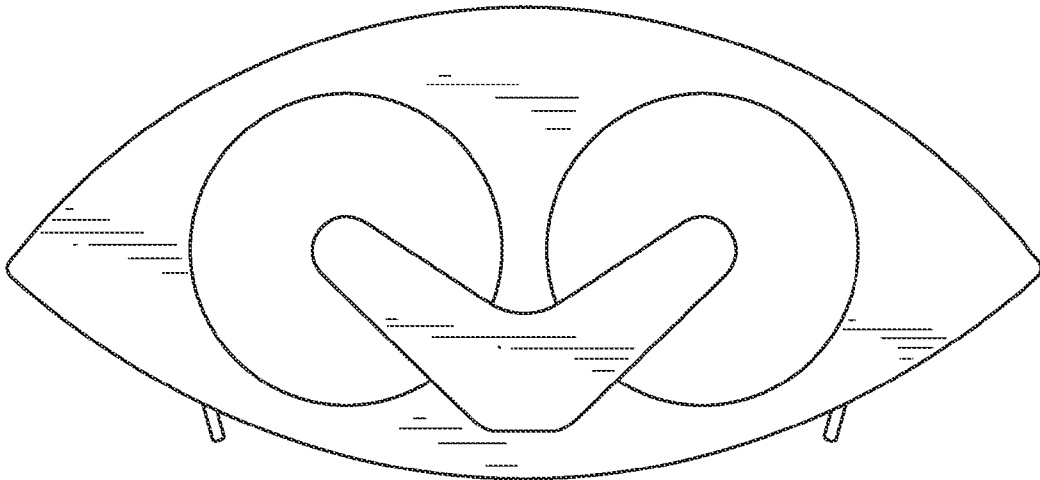


FIG. 7

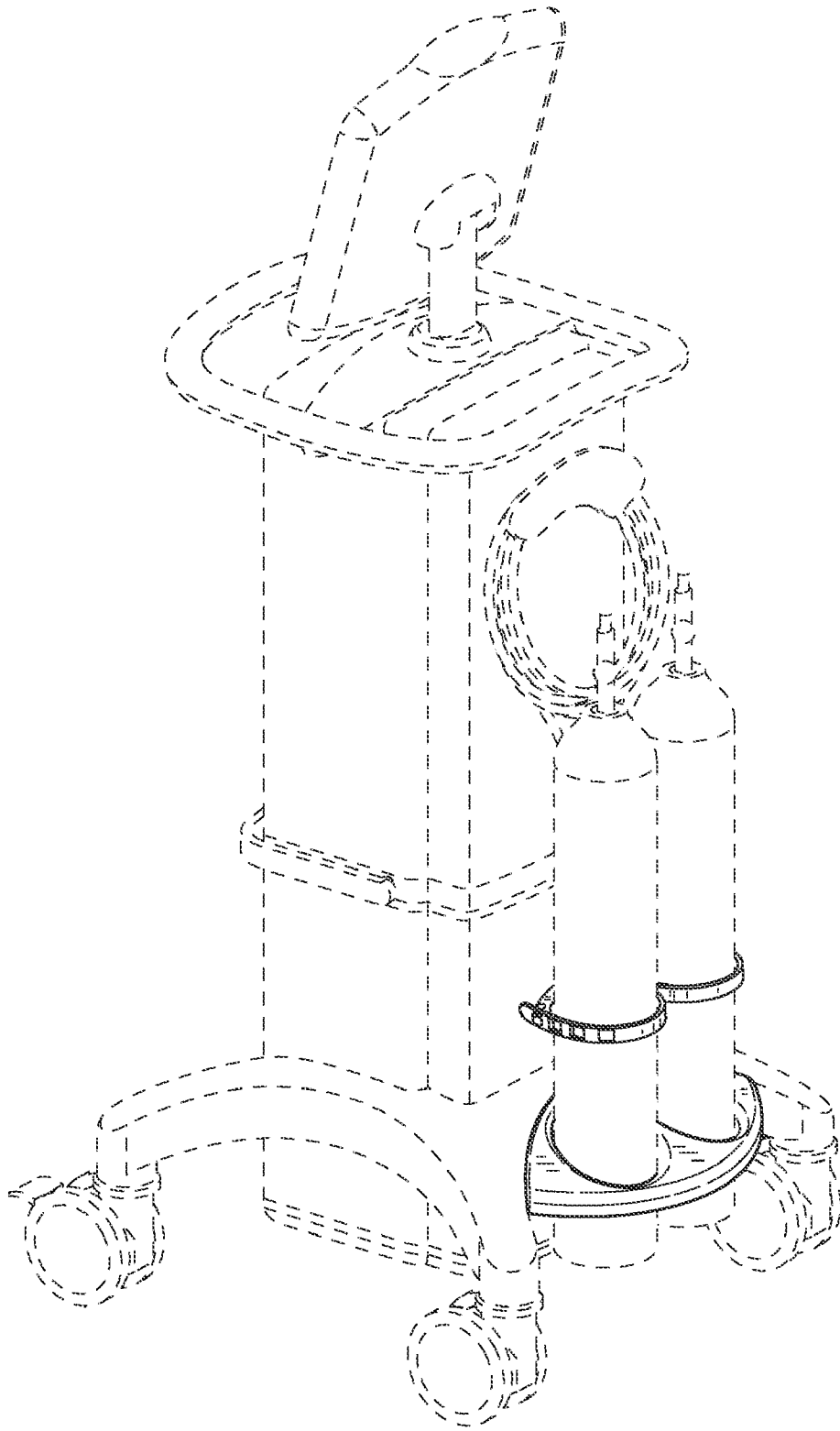


FIG. 8