



US00D466984S

(12) **United States Design Patent**
Yang

(10) **Patent No.:** **US D466,984 S**

(45) **Date of Patent:** **** Dec. 10, 2002**

(54) **FAUCET BODY MEMBER**

D430,649 S * 9/2000 Milrud et al. D23/241
6,161,581 A * 12/2000 Yang 137/625.19

(76) Inventor: **Tsai Chen Yang**, P.O. Box 63-99,
Taichung 406 (TW)

* cited by examiner

(**) Term: **14 Years**

Primary Examiner—Louis S. Zarfes
Assistant Examiner—Gregory Andoll

(21) Appl. No.: **29/146,943**

(57) **CLAIM**

(22) Filed: **Aug. 21, 2001**

The ornamental design for a faucet body member, as shown and described.

(51) **LOC (7) Cl.** **23-01**

(52) **U.S. Cl.** **D23/249**

(58) **Field of Search** D23/249, 233,
D23/238–258; 4/675–678; 137/625.19,
801, 98, 99, 87.01, 99.5

DESCRIPTION

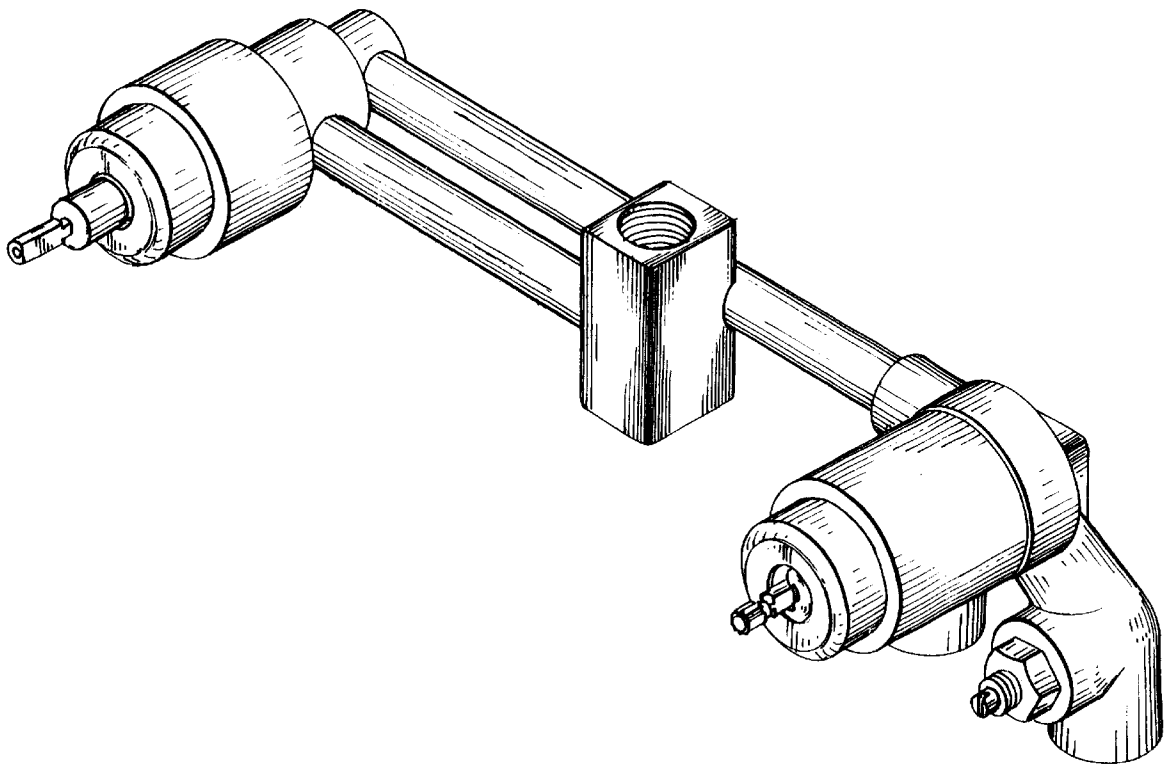
FIG. 1 is a perspective view of a faucet body member showing my new design;
FIG. 2 is a front elevational view thereof;
FIG. 3 is a rear elevational view thereof;
FIG. 4 is a top plan view thereof;
FIG. 5 is a bottom plan view thereof;
FIG. 6 is a left side elevational view thereof; and,
FIG. 7 is a right side elevational view thereof.

(56) **References Cited**

U.S. PATENT DOCUMENTS

3,120,854 A * 2/1964 Shimooka 137/98
D256,947 S * 9/1980 Terrazas D23/249
5,232,008 A * 8/1993 Jeffress et al. 137/801
5,673,724 A * 10/1997 Ahel 137/801

1 Claim, 4 Drawing Sheets



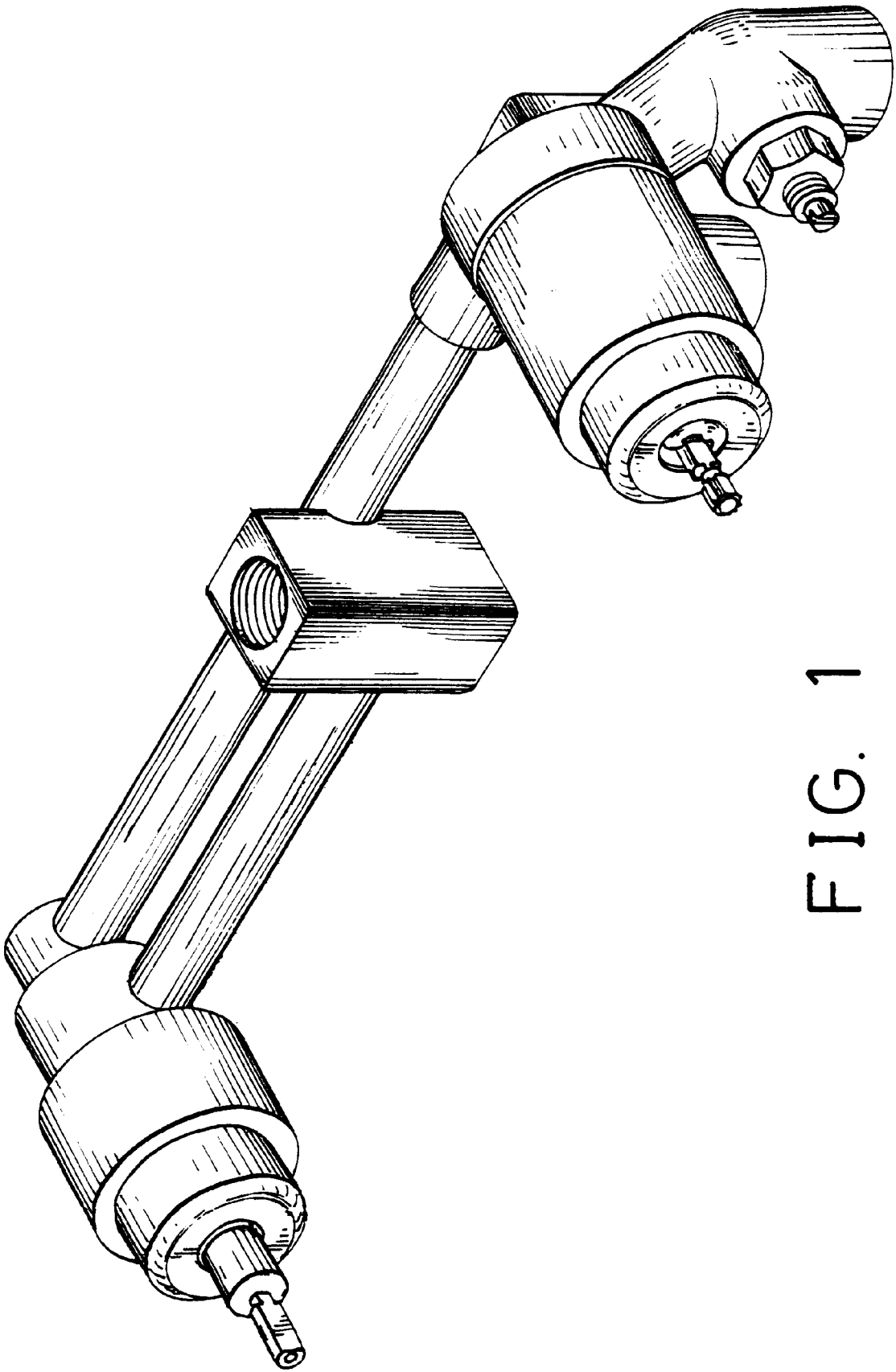
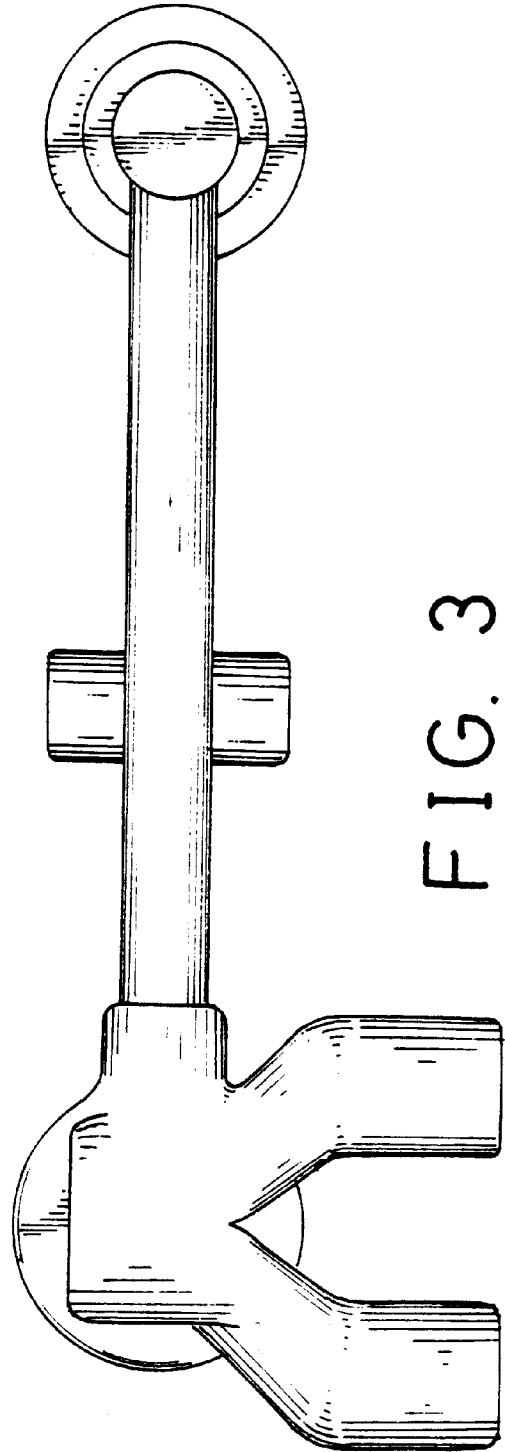
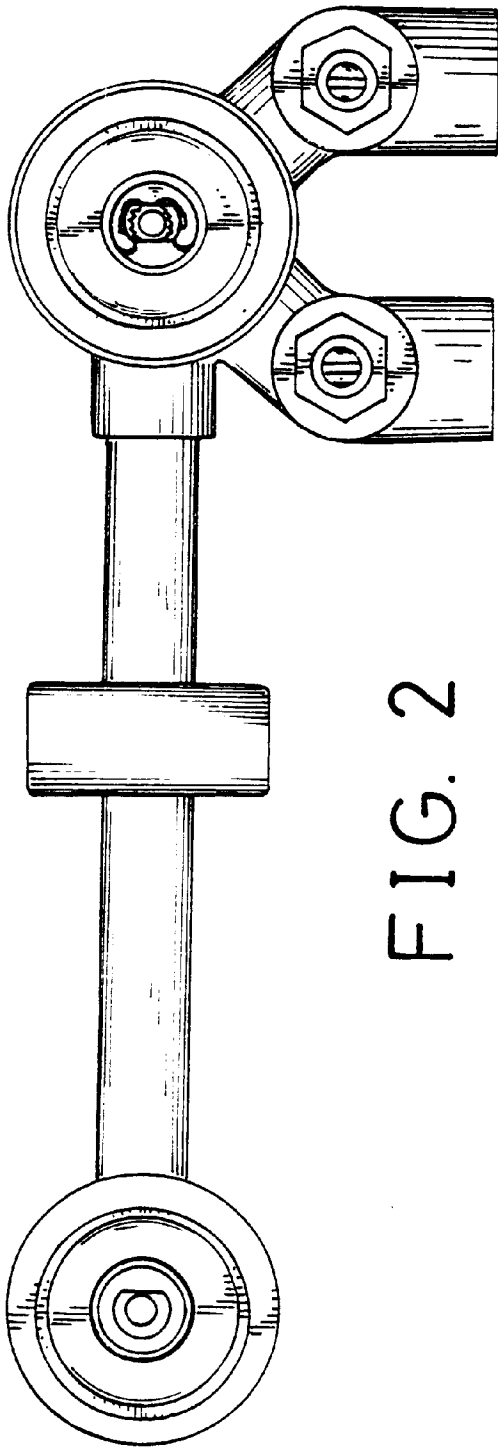
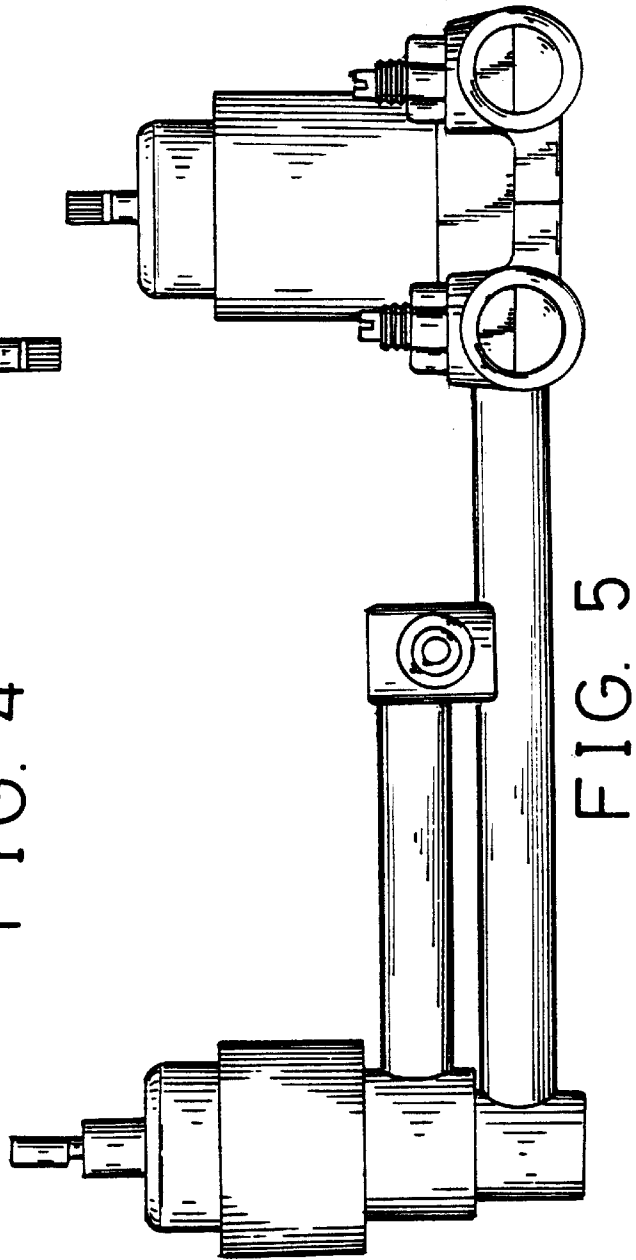
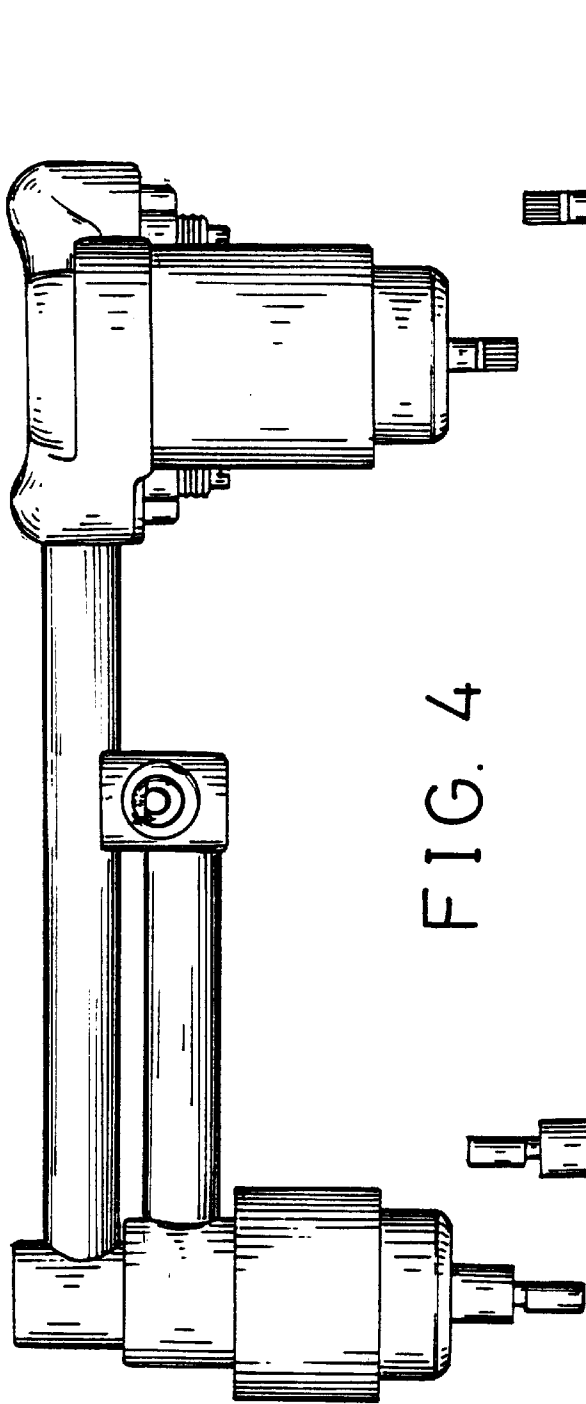


FIG. 1





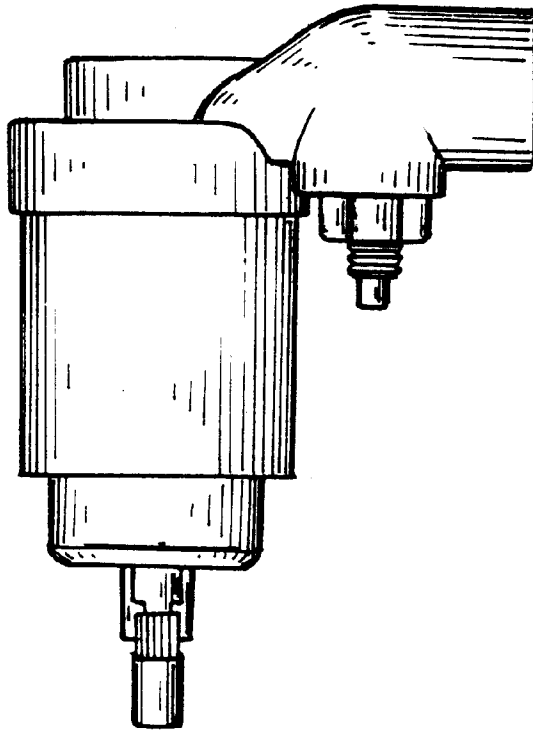


FIG. 7

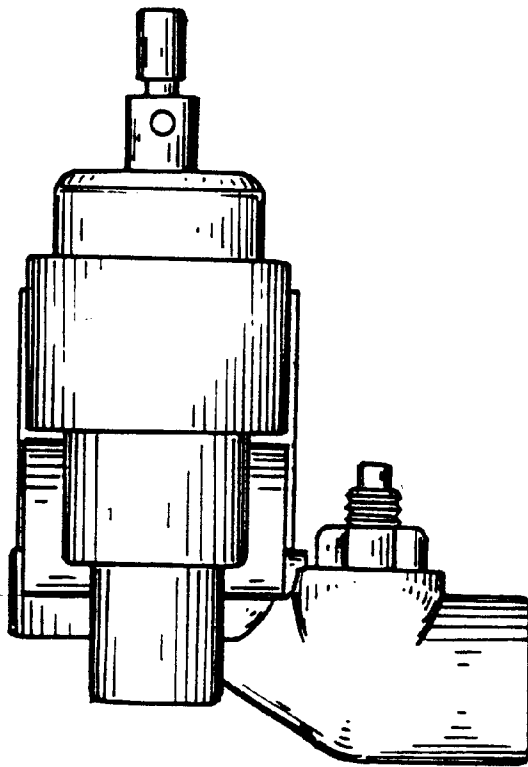


FIG. 6