

(19)
(12)

(KR)
(B1)

(51) 。 Int. Cl.7
H04B 1/26

(45)
(11)
(24)

2003 07 16
10-0391920
2003 07 04

(21) 10-2001-0044208
(22) 2001 07 23

(65) 2003-0009658
(43) 2003 02 05

(73) 3 314

(72) 4 102 1201

(74)

:

(54)

T) RF (satellite radio tuner) , (AN
RF (23); RF (23) (21); (21)
(24); (25); (24) (fosc)가 (
25) (27) , , (antenna leakage) , .

3

1 .
2 1 RF .
3 .
4 3 RF .
* *
21 : 23 : RF

24 :
27 :

(satellite radio tuner) , (fosc)가
 (antenna leakage) ,
 , (satellite radio tuner) , CD ,
 1 (SRF) (11) , (ANT) R
 F (13) , (15) , RF (13) (15) R
 F (17) , RF
 2 1 (SIF) (17) , RF (fos
 c) RF 1440MHz~1490MHz , (RF-BW) 50MHz ,
 115.244MHz , 1324.756MHz~1374.756MHz
 가 (A-CON) , 2
 , RF ,
 (antenna leakage) , (fosc)가
 ; RF ; RF
 ;
 3 (ANT) RF RF (21) , (21)
 RF (23) , RF (23)
 (25) , (25) , (24)
 (24) (27)
 (cutoff frequency)가
 가 , 1324.756MHz~1374.756MHz (fos
 c) , 1440MHz~1490MHz RF 1374.756MHz~1440MHz
 4 3 RF , 4 1440MHz~1490MHz RF (RF-B
 W), RF (L1,L2) (P1,P2)
 3 4 , , (ANT) RF

가 (ACON) , RFTLS 1440MHz~1490MHz RF
 가 (21) RF (23) RF
 (23) (21) RF (24) (cutoff frequency) RF
 , (24) 가 1374.756MHz~1440MHz 1380MHz
 , RF 가 (24) 1380MHz , 1440MHz
 가 (21) 1440MHz~1490MHz RF 가 , L1 L2
 (24) 1440MHz~1490MHz 4
 , (25) 1324.756MHz~1374.756MHz (fosc)가 ,
 (27) (SIF)가 (24) RF 115.244MHz
 , (25) (fosc)가 , L1 L2
 , 1440MHz~1490MHz 4
 , P1 P2 RF ()
 , (fosc)가 (antenna leaka
 ge) 가 가
 가

(57)

1.

(ANT) RF (21);
 RF (23) RF (23);
 (24); (25); (25) (27)
 (24)

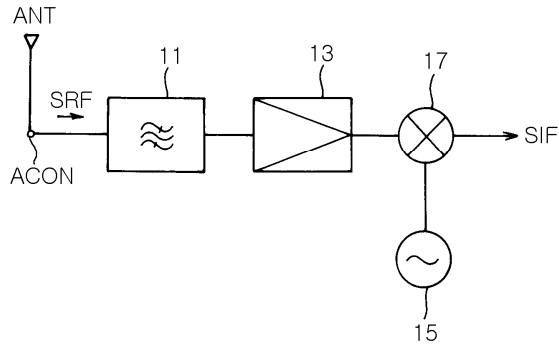
2.

1 (24)

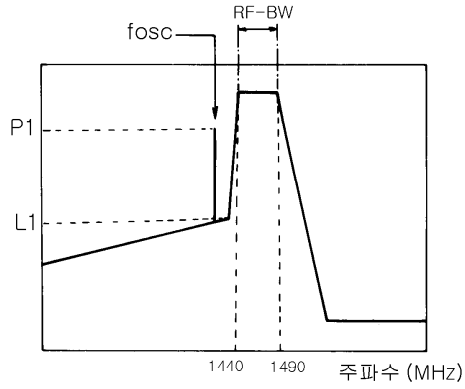
3.

2 RF 가 (24)

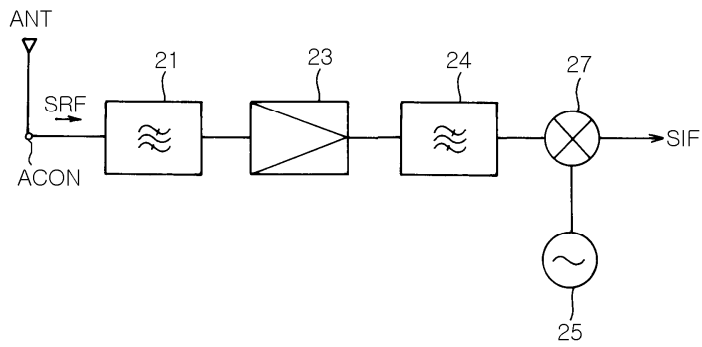
1



2



3



4

