

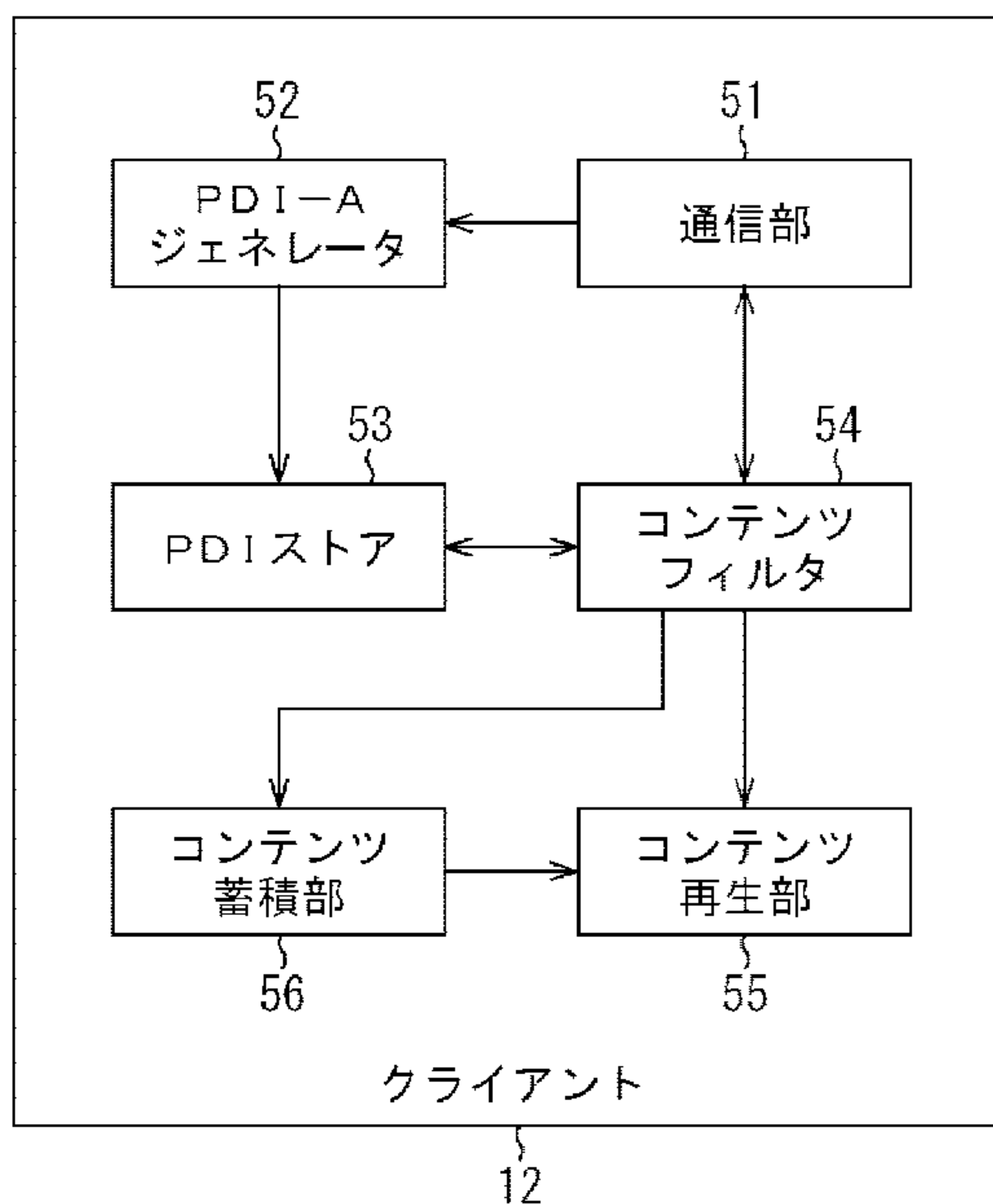


(86) Date de dépôt PCT/PCT Filing Date: 2013/10/16
 (87) Date publication PCT/PCT Publication Date: 2014/05/01
 (85) Entrée phase nationale/National Entry: 2015/04/13
 (86) N° demande PCT/PCT Application No.: JP 2013/078039
 (87) N° publication PCT/PCT Publication No.: 2014/065166
 (30) Priorités/Priorities: 2012/10/26 (US61/719,041);
 2013/05/15 (US13/894,779)

(51) Cl.Int./Int.Cl. *H04N 21/454* (2011.01),
G06F 13/00 (2006.01), *G06F 17/30* (2006.01),
H04N 21/443 (2011.01), *H04N 21/475* (2011.01)
 (71) Demandeur/Applicant:
 SONY CORPORATION, JP
 (72) Inventeur/Inventor:
 YAMAGISHI, YASUAKI, JP
 (74) Agent: GOWLING LAFLEUR HENDERSON LLP

(54) Titre : APPAREIL DE TRAITEMENT DE DONNEES, ET PROCEDE DE TRAITEMENT DE DONNEES
 (54) Title: INFORMATION PROCESSING DEVICE AND INFORMATION PROCESSING METHOD

図4



- 12 CLIENT
- 51 COMMUNICATION UNIT
- 52 PDI-A GENERATOR
- 53 PDI STORE
- 54 CONTENT FILTER
- 55 CONTENT REPRODUCTION UNIT
- 56 CONTENT ACCUMULATION UNIT

(57) **Abrégé/Abstract:**

The present technology relates to an information processing apparatus and an information processing method that enable the acquisition of content in accordance with the immediate needs. A PDI-A generator, in response to PDI-Q which is information

(57) **Abrégé(suite)/Abstract(continued):**

transmitted from a server and representing a question about user preference, generates a user-side PDI-A which is information representing a user's answer to the question. A content filter acquires content delivered from the server by performing matching between the user-side PDI-A and a provider-side PDI-A which is information transmitted from the server and representing an answer set by a content provider with respect to the question. The content filter, which is provided as a Web application, calls a plurality of APIs(Application Programming Interface) so as to perform the matching between the user-side PDI-A and the provider-side PDI-A. The present technology may be applied to a receiver apparatus that receives digital television programs.

ABSTRACT

The present technology relates to an information processing device and an information processing method that can obtain contents according to needs at a given
5 time.

A PDI-A generator generates a user side PDI-A as information indicating an answer of a user to a question about a preference of the user so as to correspond to a PDI-Q as information indicating the question, the PDI-Q
10 being transmitted from the server, and a content filter obtains contents distributed from the server by performing matching between the user side PDI-A and a provider side PDI-A as information indicating an answer set to the question by a provider providing the contents,
15 the provider side PDI-A being transmitted from the server. The content filter is provided as a Web application, and performs the matching between the user side PDI-A and the provider side PDI-A by calling a plurality of APIs (Application Programming Interfaces). The present
20 technology can be applied to, for example, a receiving device receiving a digital television program.

DESCRIPTION

INFORMATION PROCESSING DEVICE AND INFORMATION PROCESSING
METHOD

5 TECHNICAL FIELD

[0001]

The present technology relates to an information processing device and an information processing method, and particularly to an information processing device and an information processing method that can obtain contents according to metadata.

BACKGROUND ART

[0002]

15 Recently, with the digitization of television broadcasting, an amount of information that can be broadcast simultaneously has been increased dramatically. Accordingly, various kinds of data are simultaneously broadcast together with television programs (contents) to be viewed in real time.

[0003]

In addition, a content download service has been proposed which uses the above-described television broadcasting and the Internet, which allows high-speed download of data, as different paths for content communication (see Patent Document 1, for example).

[0004]

In an ordinary content download service, filtering attributes (also referred to as filtering indexes, filtering metadata, or the like) set in a server on the side of a provider (a content provider or a service

provider) providing (distributing) contents are attached as metadata to contents so that a client for receiving (obtaining) the contents filters (selects) the contents.
[0005]

5 The filtering attributes are set as values for metadata elements selected from a metadata set defined by an standardization organization such as ATSC (Advanced Television Standard Committee), or ARIB (Association of Radio Industries and Businesses).

10 [0006]

 Specifically, for example, contents to which a filtering attribute is attached such that "viewing target" is selected as a metadata element and "teens" is set as a value for the metadata element are provided to a
15 client that performs filtering so as to obtain "contents targeted at viewers 'in teens as a viewing target'".

CITATION LIST

PATENT DOCUMENT

20 [0007]

Patent Document 1: Japanese Patent Application Laid-Open No. 2010-21988

SUMMARY OF THE INVENTION

25 PROBLEMS TO BE SOLVED BY THE INVENTION

[0008]

 However, metadata (filtering attributes) not included in the metadata set defined by the standardization organization is not attached to contents.

30 [0009]

 For example, even in a case where the provider side

desires to distribute "contents targeted at viewers 'in
teens as a viewing target' and 'interested in job
hunting'", when the metadata set defined by the
standardization organization does not include "interest
5 in job hunting" as a metadata element, a filtering
attribute having "interested in job hunting" set as a
metadata element cannot be attached to contents.

[0010]

Therefore, on the side of the provider, contents to
10 which an interest of viewers according to needs at a
given time (for example in consideration of a fashion) is
attached as metadata cannot be distributed.

[0011]

In addition, in such a case, on the side of a
15 client, filtering cannot be performed so as to obtain the
contents according to the needs at the given time.

[0012]

The present technology has been made in view of
such a situation, and is to enable contents according to
20 needs at a given time to be obtained.

SOLUTIONS TO PROBLEMS

[0013]

An information processing device according to a
25 first aspect of the present technology is an information
processing device for obtaining contents distributed from
a server, including: an answer generating section
configured to generate user side answer information as
information indicating an answer of a user to a question
30 about a preference of the user so as to correspond to
question information as information indicating the

question, the question information being transmitted from the server; and a matching section configured to obtain the contents distributed from the server by performing matching between the user side answer information and
5 provider side answer information as information indicating an answer set to the question by a provider providing the contents, the provider side answer information being transmitted from the server, wherein the matching section is provided as a Web application,
10 and performs the matching between the user side answer information and the provider side answer information by calling a plurality of APIs (Application Programming Interfaces).

[0014]

15 The information processing device can further include a storage section configured to store the user side answer information generated by the answer generating section, wherein the matching section can perform the matching between the user side answer
20 information stored in the storage section and the provider side answer information by calling the plurality of APIs.

[0015]

The matching section can call a user side answer
25 information obtaining API for obtaining the user side answer information from the storage section.

[0016]

The matching section can call a provider side answer information obtaining API for obtaining the
30 provider side answer information from the server.

[0017]

When the storage section is configured as a database, the matching section can call the user side answer information evaluating API for evaluating whether the user side answer information corresponding to the provider side answer information is stored in the storage section, and the matching section can obtain the contents corresponding to the provider side answer information for which an evaluation result is true.

[0018]

The matching section can call a content obtaining API for obtaining the contents using a result of the matching.

[0019]

The matching section can obtain the contents distributed from the server by performing matching between the user side answer information and a query indicating a combination of answers set by the provider, the query being transmitted from the server.

[0020]

The matching section can call a query obtaining API for obtaining the query from the server.

[0021]

When the storage section is configured as a database, the matching section can call the user side answer information evaluating API for evaluating whether the user side answer information corresponding to the query is stored in the storage section, and the matching section can obtain the contents corresponding to the query for which an evaluation result is true.

[0022]

An information processing method according to the

first aspect of the present technology is an information processing method of an information processing device for obtaining contents distributed from a server, the information processing method including: an answer
5 generating step of generating user side answer information as information indicating an answer of a user to a question about a preference of the user so as to correspond to question information as information indicating the question, the question information being
10 transmitted from the server; and a matching step of obtaining the contents distributed from the server by performing matching between the user side answer information and provider side answer information as information indicating an answer set to the question by a
15 provider providing the contents, the provider side answer information being transmitted from the server, wherein the matching step performs the matching between the user side answer information and the provider side answer information by calling a plurality of APIs (Application
20 Programming Interfaces) on a Web application.

[0023]

According to the first aspect of the present technology, user side answer information as information indicating an answer of a user to a question is generated
25 about a preference of the user so as to correspond to question information as information indicating the question, the question information being transmitted from a server, and contents distributed from the server is obtained by performing matching between the user side
30 answer information and provider side answer information as information indicating an answer set to the question

by a provider providing the contents, the provider side
answer information being transmitted from the server.
The matching is performed between the user side answer
information and the provider side answer information by
5 calling a plurality of APIs.

[0024]

An information processing device according to a
second aspect of the present technology is an information
processing device for obtaining contents distributed from
10 a server, the information processing device including: a
query generating section configured to generate a query
indicating a combination of answers of a user to
questions about preferences of the user so as to
correspond to question information as information
15 indicating the questions, the question information being
transmitted from the server; and a matching section
configured to obtain the contents distributed from the
server by performing matching between the query and
provider side answer information as information
20 indicating answers set to the questions by a provider
providing the contents, the provider side answer
information being transmitted from the server, wherein
the matching section is provided as a Web application,
and performs the matching between the query and the
25 provider side answer information by calling a plurality
of APIs (Application Programming Interfaces).

[0025]

The information processing device can further
include a storage section configured to store the query
30 generated by the query generating section, wherein the
matching section can perform the matching between the

query stored in the storage section and the provider side answer information by calling the plurality of APIs.

[0026]

The matching section can call a query obtaining API
5 for obtaining the query from the storage section.

[0027]

The matching section can call a provider side answer information obtaining API for obtaining the provider side answer information from the server.

10 [0028]

When the storage section is configured as a database, the matching section can call the query evaluating API for evaluating whether the query corresponding to the provider side answer information is
15 stored in the storage section, and the matching section can obtain the contents corresponding to the provider side answer information for which an evaluation result is true.

[0029]

20 The matching section can call a content obtaining API for obtaining the contents using a result of the matching.

[0030]

An information processing method according to the
25 second aspect of the present technology is an information processing method of an information processing device for obtaining contents distributed from a server, the information processing method including: a query generating step of generating a query indicating a
30 combination of answers of a user to questions about preferences of the user so as to correspond to question

information as information indicating the questions, the question information being transmitted from the server; and a matching step of obtaining the contents distributed from the server by performing matching between the query and provider side answer information as information indicating answers set to the questions by a provider providing the contents, the provider side answer information being transmitted from the server, wherein the matching step performs the matching between the query and the provider side answer information by calling a plurality of APIs (Application Programming Interfaces) on a Web application.

[0031]

In the second aspect of the present technology, a query indicating a combination of answers of a user to questions about preferences of the user is generated so as to correspond to question information as information indicating the questions, the question information being transmitted from a server, and the contents distributed from the server are obtained by performing matching between the query and provider side answer information as information indicating answers set to the questions by a provider providing the contents, the provider side answer information being transmitted from the server. The matching between the query and the provider side answer information is performed by calling a plurality of APIs.

EFFECTS OF THE INVENTION

[0032]

According to the first and second aspects of the present technology, contents according to needs at a

given time can be obtained.

BRIEF DESCRIPTION OF DRAWINGS

[0033]

5 Fig. 1 is a block diagram illustrating an example of configuration of a broadcasting system according to an embodiment of the present technology.

 Fig. 2 is a block diagram illustrating an example of hardware configuration of a server.

10 Fig. 3 is a block diagram illustrating an example of functional configuration of the server.

 Fig. 4 is a block diagram illustrating an example of functional configuration of a client.

15 Fig. 5 is a flowchart for describing a process of transmitting and receiving contents.

 Fig. 6 is a diagram for describing an example of the syntax of an XML schema.

 Fig. 7 is a diagram for describing an example of a PDI-Q.

20 Fig. 8 is a diagram for describing an example of screen display in interaction with a user.

 Fig. 9 is a diagram for describing an example of screen display in interaction with the user.

25 Fig. 10 is a diagram for describing an example of screen display in interaction with the user.

 Fig. 11 is a diagram for describing an example of screen display in interaction with the user.

 Fig. 12 is a diagram for describing an example of screen display in interaction with the user.

30 Fig. 13 is a diagram for describing an example of a PDI-A.

Fig. 14 is a diagram for describing an example of a provider side PDI-A.

Fig. 15 is a diagram for describing an example of the provider side PDI-A.

5 Fig. 16 is a flowchart for describing details of a matching process.

Fig. 17 is a diagram for describing details of the matching process.

10 Fig. 18 is a block diagram illustrating another example of functional configuration of the server.

Fig. 19 is a flowchart for describing a process of transmitting and receiving contents.

Fig. 20 is a flowchart for describing details of a matching process.

15 Fig. 21 is a flowchart for describing details of the matching process.

Fig. 22 is a block diagram illustrating another example of functional configuration of the client.

20 Fig. 23 is a flowchart for describing a process of transmitting and receiving contents.

Fig. 24 is a flowchart for describing details of a matching process.

Fig. 25 is a flowchart for describing details of the matching process.

25 Fig. 26 is a block diagram illustrating an example of configuration of a broadcasting system for performing broadcasting by the ATSC-M/H system, to which broadcasting system the present technology is applied.

30 Fig. 27 is a diagram illustrating a protocol stack in a broadcast wave signal transmitted by the ATSC-M/H system.

Fig. 28 is a diagram illustrating a data configuration of Service Guide.

Fig. 29 is a diagram for describing a configuration of a Service fragment.

5 Fig. 30 is a diagram for describing a configuration of a Schedule fragment.

Fig. 31 is a diagram for describing a configuration of a Content fragment.

10 Fig. 32 is a diagram for describing a configuration of an Interactivity Data fragment.

Fig. 33 is a diagram illustrating a protocol stack in a broadcast wave signal transmitted by NRT broadcasting.

15 Fig. 34 is a diagram illustrating a data structure of TVCT, PAT, PMT, and DSM-CC Addressable Section.

Fig. 35 is a diagram illustrating a data structure of SMT, NRT-IT, and FLUTE FDT.

Fig. 36 is a diagram illustrating an example of the syntax of a PDI descriptor.

20

MODE FOR CARRYING OUT THE INVENTION

[0034]

25 Preferred embodiments of the present technology will hereinafter be described with reference to the drawings.

[0035]

[Example of Configuration of Broadcasting System]

30 Fig. 1 illustrates an example of configuration of a broadcasting system according to an embodiment of the present technology.

[0036]

A broadcasting system 10 of Fig. 1 includes: a server 11 installed on the side of a provider such as a broadcaster broadcasting (providing) a digital television program (hereinafter referred to as contents as appropriate); and a client terminal (hereinafter referred to as a client) 12 installed in the house of a user viewing the broadcast contents or the like. Incidentally, suppose that the client 12 is installed in each of the houses of a plurality of users. However, the client 12 can also be configured as a portable type terminal device such as a portable telephone or a PDA (Personal Digital Assistant).

[0037]

In the broadcasting system 10, the server 11 sends out content metadata on the contents as a signal of a digital broadcast wave to the client 12 together with the contents. The client 12 reproduces or stores only contents desired by the user by filtering the contents on the basis of the content metadata sent out together with the contents. Incidentally, the content metadata may be sent out before the contents are sent out, instead of being sent out together with the contents.

[0038]

[Example of Hardware Configuration of Server]

Fig. 2 illustrates an example of hardware configuration of the server 11. In Fig. 2, the server 11 is configured based on a computer, for example.

[0039]

A CPU (Central Processing Unit) 21 performs various kinds of processing according to a program stored in a ROM (Read Only Memory) 22 or a program loaded from a

storage section 28 into a RAM (Random Access Memory) 23. The RAM 23 also stores data necessary for the CPU 21 to perform the various kinds of processing, and the like as appropriate.

5 [0040]

The CPU 21, the ROM 22, and the RAM 23 are interconnected via a bus 24. The bus 24 is also connected with an input-output interface 25.

[0041]

10 The input-output interface 25 is connected with an input section 26 composed of a keyboard, a mouse, and the like, an output section 27 composed of a display formed by an LCD (Liquid Crystal Display), an organic EL (Electro Luminescence), or the like, a speaker, and the like, the storage section 28 composed of a hard disk or the like, and a communicating section 29 composed of a modem, a terminal adapter, or the like. The communicating section 29 communicates with an external device via a network not illustrated in the figure. In addition, a program may be obtained via the communicating section 29 and stored in the storage section 28.

[0042]

25 The input-output interface 25 is also connected with a drive 30 as required. Removable media 31 such as a magnetic disk, an optical disk, a magneto-optical disk, and a semiconductor memory are loaded into the drive 30 as appropriate. A computer program read therefrom is installed into the storage section 28 as required.

[0043]

30 Incidentally, though not illustrated, the hardware of the client 12 is also configured as illustrated in Fig.

2.

[0044]

[Example of Functional Configuration of Server]

An example of functional configuration of the
5 server 11 will next be described with reference to Fig. 3.

[0045]

The server 11 includes a PDI-Q generator 41, a
communicating section 42, a PDI-A generator 43, a
metadata distributor 44, a content storing section 45,
10 and a content distributor 46.

[0046]

The PDI-Q generator 41 generates a PDI-Q
(Preference Demographic and Interest - Question), which
is information indicating questions about preferences of
15 the user (viewer) of the client 12. The PDI-Q generator
41 transmits the PDI-Q to the client 12 via the
communicating section 42, and supplies the PDI-Q to the
PDI-A generator 43.

[0047]

20 The communicating section 42 transmits various
kinds of data supplied from the PDI-Q generator 41, the
metadata distributor 44, and the content distributor 46
to the client 12 in response to a request from the client
12.

25 [0048]

The PDI-A generator 43 generates a PDI-A
(Preference Demographic and Interest - Answer), which is
information indicating answers set on the side of the
provider to the above-described questions about the
30 preferences of the user of the client 12, the PDI-A
corresponding to the PDI-Q from the PDI-Q generator 41,

on the basis of the PDI-Q. The PDI-A generator 43 supplies the PDI-A to the metadata distributor 44.

[0049]

The metadata distributor 44 identifies (refers to) contents corresponding to the answers set on the side of the provider from contents stored in the content storing section 45 on the basis of the PDI-A from the PDI-A generator 43. The metadata distributor 44 generates content metadata including the PDI-A as content metadata on the identified contents, and transmits the content metadata including the PDI-A to the client 12 via the communicating section 42.

[0050]

The content storing section 45 stores various contents to be distributed to the client 12.

[0051]

The content distributor 46 obtains the contents identified by the metadata distributor 44 from the contents stored in the content storing section 45. The content distributor 46 transmits the contents to the client 12 via the communicating section 42.

[0052]

[Example of Functional Configuration of Client]

An example of functional configuration of the client 12 will next be described with reference to Fig. 4.

[0053]

The client 12 includes a communicating section 51, a PDI-A generator 52, a PDI store 53, a content filter 54, a content reproducing section 55, and a content storing section 56.

[0054]

The communicating section 51 receives various kinds of data transmitted from the server 11, and supplies the various kinds of data to the PDI-A generator 52 or the content filter 54. The communicating section 51 also
5 transmits a request to the server 11 to the server 11.
[0055]

The PDI-A generator 52 generates a PDI-A indicating answers of the user of the client 12 to the questions about the preferences of the user, the PDI-A
10 corresponding to the PDI-Q transmitted from the server 11, on the basis of the PDI-Q. The PDI-A generator 52 stores the PDI-A in the PDI store 53.
[0056]

The PDI store 53 stores the PDI-A from the PDI-A
15 generator 52. The PDI-A stored in the PDI store 53 is accessed by a file system, and output to the content filter 54 as required.
[0057]

The content filter 54 reads out the PDI-A from the
20 PDI store 53, and filters the contents distributed from the server 11 by performing matching between the PDI-A from the PDI store 53 and the PDI-A included in the content metadata on the contents transmitted from the server 11. The content filter 54 supplies contents
25 obtained by the filtering to the content reproducing section 55 or the content storing section 56 according to a result of the filtering. Incidentally, the content filter 54 is provided as a Web application executed on a Web browser, and performs the matching by calling a
30 plurality of APIs (Application Programming Interfaces) to filter the contents.

[0058]

The content reproducing section 55 reproduces the contents from the content filter 54. In addition, the content reproducing section 55 obtains contents from the content storing section 56, and reproduces the contents.

[0059]

The content storing section 56 stores (records therein) the contents from the content filter 54.

[0060]

10 [Example of Process of Transmitting and Receiving Contents]

A process of transmitting and receiving contents in the broadcasting system 10 will next be described with reference to a flowchart of Fig. 5. In the process of transmitting and receiving contents in the broadcasting system 10, the server 11 performs a content distributing process, whereby the contents are distributed, and the client 12 performs a content obtaining process, whereby the contents are obtained.

20 [0061]

On the side of the provider such as the broadcaster, for example, when a sponsor of contents to be broadcast (distributed) or the broadcaster itself requests the distribution of the contents to viewers having specific preferences or attributes, the PDI-Q generator 41 of the server 11 generates a PDI-Q for asking a viewer, that is, the user of the client 12 a question about the preferences or attributes of the user according to an operation by staff on the side of the provider in step S11.

30

[0062]

[Example of Syntax of XML Schema]

An example of the syntax of an XML (Extensible Markup Language) schema for constructing a PDI-Q and a PDI-A will be described in the following with reference
5 to Fig. 6.

[0063]

In Fig. 6, a first line shows a declaration and a definition for the PDI-Q to be identified, and a second line shows the declaration of the name and type of
10 questions as a whole defined as the PDI-Q.

[0064]

Third to 12th lines show the declaration of the name and type of each of the questions declared in the second line. Specifically, a question type
15 "IntegerAnswerType" defined under the name of "QIA" in the fifth line indicates that the question requests an answer of an integral value type. A question type "BooleanAnswerType" defined under the name of "QBA" in the sixth line indicates that the question requests an
20 answer of a logical value type. A question type "SelectionAnswerType" defined under the name of "QSA" in the seventh line indicates that the question requests an answer of an answer selection type. A question type "TextAnswerType" defined under the name of "QTA" in the
25 eighth line indicates that the question requests an answer of a character string type. A question type "AnyAnswerType" defined under the name of "QAA" in the ninth line indicates that the question does not limit the type of an answer.

30 [0065]

Thirteenth to 44th lines show the declaration of

each of elements the questions defined under the names of "QIA," "QBA," "QSA," and "QTA" among the questions declared as described above. In particular, id elements shown in the 15th line, the 24th line, the 31st line, and the 40th line represent IDs (Identifiers) for identifying the items of the respective questions. The following is defined as a first format of an ID.

```
"common:[category:]question-ID"
```

In the first format, "common" indicates that the question identified by the id element is a common question defined irrespective of the provider, "category" represents the category of the question, and "question-ID" represents the identifier of the question. Incidentally, as required, "category" may have a hierarchical nested structure as follows, for example.

```
"common:[category1:category2:category3:...]question-ID"
```

```
[0066]
```

An id element is also defined as follows as a second format.

```
"providerName:[category:]question-ID"
```

In the second format, "providerName" represents the name of the provider that has set the question identified by the id element. Incidentally, "category" and "question-ID" are similar to those in the first format.

```
[0067]
```

The questions defined as PDI-Q are thus classified according to the id elements into questions not dependent on the provider providing the contents (questions common to providers) and questions defined independently by the provider providing the contents.

[0068]

In the following description, as appropriate, questions not dependent on the provider providing the contents and answers to the questions will be referred to as a provider common filtering parameter, and questions defined independently by the provider providing the contents and answers to the questions will be referred to as a provider independent filtering parameter.

[0069]

As described above, a provider common filtering parameter is defined so as to be independent of individual providers and common to the providers. Thus, the provider common filtering parameter is typically provided by a vendor (manufacturer or the like) of the client 12. Therefore the PDI-Q generator 41 of the server 11 can be provided on the side of the provider but can also be provided by the vendor of the client 12.

[0070]

It is to be noted that the syntax for constructing a PDI-Q and a PDI-A is not limited to the example illustrated in Fig. 6.

[0071]

[Example of PDI-Q]

An example of a PDI-Q constructed on the basis of the syntax of Fig. 6 will next be described with reference to Fig. 7.

[0072]

In Fig. 7, "transactional" in a first line is a value indicating whether to nullify a recording/updating process (whether to perform a so-called rollback) retroactively to a state immediately before the contents

of each item of the PDI-Q are recorded/updated in a case where not all of the contents of each item of the PDI-Q are recorded/updated due to some accident (an error in writing of a disk, the interruption of processing due to an increase in processing load, or the like) in the middle of the process of recording/updating the contents of each item of the PDI-Q in a storage area of the client 12 which storage area is not illustrated in the figures when the questions (group of questions) defined in the PDI-Q are updated in the client 12 to which the PDI-Q has been transmitted. When "transactional" is "true," the PDI-Q is rolled back.

[0073]

Second to fifth lines define a question requesting an answer of a logical value type. `<id>Common:111</id>` in the third line represents the id element of the question. `<q>Are you currently employed?</q>` in the fourth line represents the question itself.

[0074]

Sixth to ninth lines define a question requesting an answer of an integral value type. `<id>Common:222</id>` in the seventh line represents the id element of the question. `<q>What is the age of the oldest member of the household who watches television?</q>` in the eighth line represents the question itself. Incidentally, `minInclusive = "10" maxInclusive = "100"` in the sixth line indicates that an answer to the question is restricted to an integral value of 10 to 100 both inclusive.

[0075]

Tenth to 17th lines define a question requesting an

answer of an answer selection type.

<id>ProviderA:123</id> in the 11th line represents the id element of the question. <q>In which of the following sports are you most interested? (Multiple selection
5 allowed)</q> in the 12th line represents the question itself. <a>Baseball in the 13th line, <a>Basketball in the 14th line, <a>Soccer in the 15th line, and <a>Hockey in the 16th line each represent a choice as an answer to the question.

10 Incidentally, minChoice = "1" maxChoice = "3" in the tenth line indicates that the number of answers to the question is restricted to one to three both inclusive among the choices.

[0076]

15 Eighteenth to 24th lines define a question requesting an answer of an answer selection type. <id>ProviderA:ProgramX:123</id> in the 19th line represents the id element of the question. <q>Do you enjoy camping and outdoor recreation? (Only one
20 selection)</q> in the 20th line represents the question itself. <a>Never in the 21st line, <a>Occasionally in the 22nd line, and <a>Frequently in the 23rd line each represent a choice as an answer to the question. Incidentally,
25 maxChoice = "1" in the 18th line indicates that the number of answers to the question is restricted to one.

[0077]

Thus, in the PDI-Q, according to the type of a question, candidates for an answer to the question and a
30 constraint condition for the answer are defined.

[0078]

Twenty-fifth to 28th lines define a question requesting an answer of a character string type. <id>ProviderA:321</id> in the 26th line represents the id element of the question. <q>Who's products are you most interested in recently?</q> in the 27th line represents the question itself.

[0079]

In the following, the questions defined in the PDI-Q of Fig. 7 will correspondingly be referred to as the questions of the respective id elements. Specifically, the question defined in the second to fifth lines will be referred to as the question of "Common:111"; the question defined in the sixth to the ninth lines will be referred to as the question of "Common:222"; the question defined in the tenth to the 17th lines will be referred to as the question of "ProviderA:123"; the question defined in the 18th to the 24th lines will be referred to as the question of "ProviderA:ProgramX:123"; and the question defined in the 25th to the 28th lines will be referred to as the question of "ProviderA:321."

[0080]

In this case, the question of "Common:111" and the question of "Common:222" are classified as provider common filtering parameters, and the question of "ProviderA:123," the question of "ProviderA:ProgramX:123," and the question of "ProviderA:321" are classified as provider independent filtering parameters. For example, the question of "Common:111" indicates that the question is set so as to be common to providers and has an identifier of "111." The question of "ProviderA:ProgramX:123" indicates that

the question is set by the provider as "ProviderA," is under a category (program ID) of "ProgramX," and has an identifier of "123."

[0081]

5 Returning to the flowchart of Fig. 5, in step S12, the PDI-Q generator 41 of the server 11 transmits the generated PDI-Q to the client 12 via the communicating section 42, and supplies the generated PDI-Q to the PDI-A generator 43.

10 [0082]

In step S21, the communicating section 51 of the client 12 receives the PDI-Q transmitted from the server 11, and supplies the PDI-Q to the PDI-A generator 52.

[0083]

15 Incidentally, for example, the PDI-Q is received by the client 12 each time the PDI-Q is broadcast (transmitted) at predetermined time intervals from a broadcasting station as the provider in which the server 11 is installed. The PDI-Q may also be received by the
20 client 12 when the client 12 sets a channel to the broadcasting station in which the server 11 is installed.

[0084]

In step S22, the PDI-A generator 52 of the client 12 generates a PDI-A for the questions defined in the
25 PDI-Q received in the communicating section 51. Specifically, when the PDI-Q from the server 11 is received, the PDI-A generator 52 makes a display section not illustrated in the figures display screens corresponding to the questions defined in the PDI-Q, and
30 makes the user (viewer) of the client 12 input or select answers to the questions. In this manner, the PDI-A

generator 52 generates the PDI-A indicating the answers.
That is, the PDI-A generator 52 generates the PDI-A
indicating the answers to the questions defined in the
PDI-Q by interacting with the user.

5 [0085]

Then, in step S23, the PDI-A generator 52 stores
the generated PDI-A in the PDI store 53.

[0086]

[Example of Screen Display in Interaction of PDI-A
10 Generator with User]

Examples of screen display in interaction of the
PDI-A generator 52 with the user will be described in the
following with reference to Figs. 8 to 12. Incidentally,
suppose in the following that the client 12 has received
15 the PDI-Q described with reference to Fig. 7, and that
the display section not illustrated in the figures of the
client 12 sequentially displays screens corresponding to
the group of questions defined in the received PDI-Q.

[0087]

20 Fig. 8 illustrates an example of screen display
corresponding to the question of "Common:111" among the
questions defined in the PDI-Q described with reference
to Fig. 7. In Fig. 8, the question "Are you currently
employed?" shown in the fourth line of Fig. 7 is
25 displayed in a question presenting section 61. Also
displayed are a message "SELECT EITHER," which prompts
the user to input an answer to the question, a selection
button 62-1 for the user to select "Yes" as an answer to
the question, and a selection button 62-2 for the user to
30 select "No" as an answer to the question.

[0088]

Fig. 9 illustrates an example of screen display corresponding to the question of "Common:222" among the questions defined in the PDI-Q described with reference to Fig. 7. In Fig. 9, the question "What is the age of the oldest member of the household who watches television?" shown in the eighth line of Fig. 7 is displayed in a question presenting section 71. Also displayed are a message "INPUT AGE," which prompts the user to input an answer to the question, and an answer input section 72 for the user to input an integral value as an answer to the question.

[0089]

Fig. 10 illustrates an example of screen display corresponding to the question of "ProviderA:123" among the questions defined in the PDI-Q described with reference to Fig. 7. In Fig. 10, the question "In which of the following sports are you most interested? (Multiple selection allowed)" shown in the 12th line of Fig. 7 is displayed in a question presenting section 81. Also displayed are a message "SELECT ONE TO THREE OF THE FOLLOWING," which prompts the user to input an answer to the question, and selection buttons 82-1 to 82-4 for the user to select the choices "Baseball," "Basketball," "Soccer," and "Hockey" as an answer to the question.

[0090]

Fig. 11 illustrates an example of screen display corresponding to the question of "ProviderA:ProgramX:123" among the questions defined in the PDI-Q described with reference to Fig. 7. In Fig. 11, the question "Do you enjoy camping and outdoor recreation? (Only one selection)" shown in the 20th line of Fig. 7 is displayed

in a question presenting section 91. Also displayed are a message "SELECT ONLY ONE OF THE FOLLOWING," which prompts the user to input an answer to the question, and selection buttons 92-1 to 92-3 for the user to select the
5 choices "Never," "Occasionally," and "Frequently" as an answer to the question.

[0091]

Fig. 12 illustrates an example of screen display corresponding to the question of "ProviderA:321" among
10 the questions defined in the PDI-Q described with reference to Fig. 7. In Fig. 12, the question "Who's products are you most interested in recently?" shown in the 27th line of Fig. 7 is displayed in a question presenting section 101. Also displayed are a message
15 "DESCRIBE FREELY," which prompts the user to input an answer to the question, and an answer input section 102 for the user to input a character string as an answer to the question.

[0092]

20 The PDI-A generator 52 generates the PDI-A corresponding to the PDI-Q by thus making the user input or select answers to the questions defined in the PDI-Q through the screen display described with reference to Figs. 8 to 12.

25 [0093]

Incidentally, the screen display described with reference to Figs. 8 to 12 may be made shortly after the PDI-Q is received, or may be made, for example, when the user gives an instruction to display the set screens,
30 after the PDI-Q is received and retained in a storage section not illustrated in the figures.

[0094]

[Example of PDI-A]

An example of the PDI-A generated by the PDI-A generator 52 will be described in the following with
5 reference to Fig. 13. The PDI-A illustrated in Fig. 13 is a PDI-A generated on the basis of the selection or input of answers by the user in response to the screen display illustrated in Figs. 8 to 12.

[0095]

10 Specifically, second to fifth lines show an answer of the user to the question presented by the screen display described with reference to Fig. 8. Specifically, `<id>Common:111</id>` in the third line represents the id element of the question presented by the screen display
15 of Fig. 8. `<a>true` in the fourth line indicates that the user selected the selection button 62-1 (answer "Yes") in the screen display of Fig. 8 as an answer to the question.

[0096]

20 Sixth to ninth lines show an answer of the user to the question presented by the screen display described with reference to Fig. 9. Specifically, `<id>Common:222</id>` in the seventh line represents the id element of the question presented by the screen display
25 of Fig. 9. `<a>34` in the eighth line indicates that the user input "34" as an integral value in the answer input section 72 in the screen display of Fig. 9 as an answer to the question.

[0097]

30 Tenth to 15th lines show an answer of the user to the question presented by the screen display described

with reference to Fig. 10. Specifically,
<id>ProviderA:123</id> in the 11th line represents the id
element of the question presented by the screen display
of Fig. 10. <a>Baseball in the 12th line,
5 <a>Soccer in the 13th line, and <a>Hockey in the
14th line indicate that the user selected the selection
buttons 82-1, 82-3, and 82-4 in the screen display of Fig.
10 as an answer to the question.

[0098]

10 Sixteenth to 19th lines show an answer of the user
to the question presented by the screen display described
with reference to Fig. 11. Specifically,
<id>ProviderA:ProgramX:123</id> in the 17th line
represents the id element of the question presented by
15 the screen display of Fig. 11. <a>Occasionally in
the 18th line indicates that the user selected the
selection button 92-2 in the screen display of Fig. 11 as
an answer to the question.

[0099]

20 Twentieth to 23rd lines show an answer of the user
to the question presented by the screen display described
with reference to Fig. 12. Specifically,
<id>ProviderA:321</id> in the 21st line represents the id
element of the question presented by the screen display
25 of Fig. 12. <a>Somy in the 22nd line indicates that
the user input "Somy" as a character string in the answer
input section 102 in the screen display of Fig. 12 as an
answer to the question.

[0100]

30 The PDI-A generator 52 supplies the PDI-A thus
generated to the PDI store 53, and stores the PDI-A in

the PDI store 53. As will be described later, the PDI-A stored in the PDI store 53 is used when whether contents distributed from the server 11 match the preferences of the user of the client 12 is determined.

5 [0101]

Returning to the flowchart of Fig. 5, in step S13, the PDI-A generator 43 of the server 11 generates a PDI-A for the questions defined in the PDI-Q from the PDI-Q generator 41, and supplies the PDI-A to the metadata distributor 44. Specifically, when the PDI-Q has been generated by operation of the staff of the broadcasting station (side of the provider), the PDI-A generator 43 makes screens corresponding to the questions defined in the PDI-Q as described above with reference to Figs. 8 to 12, for example, displayed on a display section not illustrated in the figures, and makes the staff of the broadcasting station input or select answers to the questions, thereby generating the PDI-A indicating the answers. At this time, the staff of the broadcasting station input or select answers corresponding to contents to be distributed as answers to the questions defined in the PDI-Q. That is, the PDI-A generated by the PDI-A generator 43 indicates information (answers) for the side of the provider to take the preferences of the user (viewer) of the client 12 into consideration and have the viewer view the contents to be distributed later.

[0102]

In step S14, the metadata distributor 44 identifies (refers to) contents corresponding to the PDI-A from the PDI-A generator 43 from contents stored in the content storing section 45 on the basis of the PDI-A. The

contents identified in this case may be contents whose content metadata, which is attached to the stored contents in advance, has a higher degree of similarity to the PDI-A from the PDI-A generator 43 than a
5 predetermined value, or may be contents selected by the staff of the broadcasting station in advance as contents desired to be viewed by the user. Incidentally, the content distributor 46 obtains the contents identified by the metadata distributor 44 from the content storing
10 section 45.

[0103]

In step S15, the metadata distributor 44 generates new content metadata including the PDI-A on the basis of the content metadata attached in advance to the contents
15 identified in step S14 and the PDI-A from the PDI-A generator 43.

[0104]

In step S16, the communicating section 42 distributes the content metadata generated by the
20 metadata distributor 44 in response to a request from the client 12. At this time, as the content metadata, content metadata defined by a standardization organization may be transmitted in addition to the content metadata generated by the metadata distributor 44.

25 [0105]

In addition, in step S17, the communicating section 42 distributes the contents obtained by the content distributor 46 in response to a request from the client
12.

30 [0106]

Meanwhile, in step S23, the content filter 54 of

the client 12 performs a matching process. The content filter 54 performs matching between the PDI-A stored in the PDI store 53 and the PDI-A included in the content metadata from the server 11, thereby obtaining contents from the server 11. Incidentally, in the following, in order to distinguish the PDI-A stored in the PDI store 53 from the PDI-A included in the content metadata from the server 11, the former will be referred to as a user side PDI-A, and the latter will be referred to as a provider side PDI-A.

[0107]

[Example of Matching Process in Content Filter]

Suppose in this case that the PDI-A described with reference to the flowchart of Fig. 13 is generated and stored as the user side PDI-A, and that a PDI-A illustrated in Fig. 14 is transmitted as the provider side PDI-A from the server 11.

[0108]

The provider side PDI-A illustrated in Fig. 14 has the same basic configuration as the user side PDI-A illustrated in Fig. 13, and therefore detailed description thereof will be omitted. The provider side PDI-A indicates that "false" is selected as an answer to the question of "Common:111," that "Baseball" is selected as an answer to the question of "ProviderA:123," and that "Never" is selected as an answer to the question of "ProviderA:ProgramX:123."

[0109]

At this time, the content filter 54 compares the user side PDI-A with the provider side PDI-A, and determines that the user side PDI-A and the provider side

PDI-A match each other when there is at least one identical answer to a question, or determines that the user side PDI-A and the provider side PDI-A do not match each other when there is no identical answer to a
5 question. In this case, there is an identical answer in that the answer to the question of "ProviderA:123" in the user side PDI-A illustrated in Fig. 13 and the answer to the question of "ProviderA:123" in the provider side PDI-A illustrated in Fig. 14 each include "Baseball." It is
10 thus determined that the user side PDI-A and the provider side PDI-A match each other.

[0110]

Next, suppose that a PDI-A illustrated in Fig. 15 is transmitted as the provider side PDI-A from the server
15 11.

[0111]

The provider side PDI-A illustrated in Fig. 15 indicates that "Basketball" is selected as an answer to the question of "ProviderA:123," and that "Never" is
20 selected as an answer to the question of "ProviderA:ProgramX:123."

[0112]

In this case, the answers to the questions in the user side PDI-A illustrated in Fig. 13 and the answers to
25 the questions in the provider side PDI-A illustrated in Fig. 15 include no identical answer. It is thus determined that the user side PDI-A and the provider side PDI-A do not match each other.

[0113]

30 As described above, the content filter 54 is provided as a Web application, and performs the matching

process by calling a plurality of APIs.

[0114]

[Details of Matching Process]

5 Details of the matching process performed by the
content filter 54 by calling a plurality of APIs in step
S24 will next be described in the following with
reference to a flowchart of Fig. 16.

[0115]

10 First, in step S51, the content filter 54 calls a
user side PDI-A obtaining API, which is an API for
obtaining the user side PDI-A from the PDI store 53.

[0116]

The input argument and the output argument of the
user side PDI-A obtaining API are as follows.

15 Input argument: the id element of a question whose
type is "QXA" (QXA/@id)

Output argument: the PDI Table storing the user
side PDI-A for the question of the type "QXA" specified
by the input argument

20 [0117]

Incidentally, "QXA" represents one or all of the
names "QIA," "QBA," "QSA," "QTA," and "QAA" indicating
question types as described above. For example, when the
input argument is set as QXA/@id = *, for example, all
25 question types are specified. The PDI Table returned as
the output argument represents a table storing the user
side PDI-A described with reference to Fig. 13, for
example. Thus, when the input argument is set as QXA/@id
= *, all user side PDI-As stored in the PDI store 53 are
30 returned as the output argument.

[0118]

In step S52, the content filter 54 obtains the user side PDI-A returned as the output argument of the user side PDI-A obtaining API.

[0119]

5 In step S53, the content filter 54 calls a provider side PDI-A obtaining API, which is an API for obtaining the provider side PDI-A from the server 11.

[0120]

The input argument and the output argument of the
10 provider side PDI-A obtaining API are as follows.

Input argument: a content ID (C_ID)

Output argument: the provider side PDI-A included in content metadata corresponding to the content ID specified by the input argument

15 [0121]

Incidentally, the content ID is information for identifying contents, and is also associated with content metadata on the contents. For example, when the input argument is set as C_ID = *, all contents are specified.
20 Thus, when the input argument is set as C_ID = *, the server 11 is requested to distribute content metadata on all the contents, and the provider side PDI-A included in the content metadata distributed from the server 11 in response to the request is returned as the output
25 argument.

[0122]

In step S54, the content filter 54 obtains the provider side PDI-A returned as the output argument of the provider side PDI-A obtaining API.

30 [0123]

In step S55, the content filter 54 performs

matching between the user side PDI-A and the provider side PDI-A by the method described with reference to Figs. 13 to 15.

[0124]

5 In step S56, the content filter 54 identifies the content ID of the content metadata including the provider side PDI-A matching the user side PDI-A.

[0125]

10 In step S57, the content filter 54 calls a content obtaining API, which is an API for obtaining contents from the server 11.

[0126]

The input argument and the output argument of the content obtaining API are as follows.

15 Input argument: a content ID (C_ID)

 Output argument: the contents identified by the content ID specified by the input argument and a reference to the contents

[0127]

20 As in the above, the content ID is information for identifying the contents, and is the content ID of the content metadata including the provider side PDI-A matching the user side PDI-A, which content ID is identified by the content filter 54. That is, the server 25 11 is requested to distribute the contents identified by the content ID of the content metadata including the provider side PDI-A matching the user side PDI-A, and the contents distributed from the server 11 in response to the request and the reference to the contents are 30 returned as the output argument.

[0128]

In step S58, the content filter 54 obtains the contents returned as the output argument of the content obtaining API, and supplies the contents to the content reproducing section 55 or the content storing section 56. The process then returns to step S24 in the flowchart of Fig. 5.

[0129]

Specifically, when the contents distributed from the server 11 are supplied from the content filter 54 to the content reproducing section 55, the content reproducing section 55 reproduces the contents in step S25. When the contents distributed from the server 11 are supplied from the content filter 54 to the content storing section 56, the content storing section 56 stores (records therein) the contents in step S25. The stored contents are supplied to the content reproducing section 55 and reproduced by the content reproducing section 55 as appropriate according to an operating instruction by the user.

[0130]

According to the above process, in the broadcasting system, on the side of the provider, a PDI-Q indicating questions about the preferences of the user is generated by the server, the PDI-Q is transmitted to the client terminal, and a provider side PDI-A indicating answers to the PDI-Q which answers are set on the side of the provider is distributed as content metadata on the corresponding contents. Thus, content metadata according to needs at a given time, other than content metadata defined by a standardization organization, can be attached as content metadata to the contents. Meanwhile,

on the side of the user, a user side PDI-A indicating answers of the user to the PDI-Q from the server is generated by the client terminal, and matching between the generated user side PDI-A and the provider side PDI-A from the server is performed, whereby whether to obtain the contents distributed from the server is determined. Thus, the contents can be filtered by the content metadata according to the needs at the given time, other than content metadata defined by a standardization organization. It is thus possible to obtain contents according to the needs at the given time.

[0131]

Incidentally, in the above description, the client 12 performs PDI-A matching in real time when contents are distributed from the server 11. However, all contents from the server 11 may be stored in advance, PDI-A matching may be performed in background processing, and contents corresponding to a matching PDI-A (provider side PDI-A) among the stored contents may be reproduced or contents corresponding to a non-matching PDI-A among the stored contents may be deleted.

[0132]

In addition, the above description assumes that the user side PDI-A stored in the PDI store 53 is accessed by a file system. However, when the PDI store 53 is configured as a database, the user side PDI-A stored in the PDI store 53 is managed by a database management system (DBMS).

[0133]

30 [Details of Matching Process]

Details of a matching process in a case where the

PDI store 53 is configured as a database will be described in the following with reference to a flowchart of Fig. 17.

[0134]

5 First, in step S71, the content filter 54 calls a provider side PDI-A obtaining API, which is an API for obtaining a provider side PDI-A from the server 11.

[0135]

10 In step S72, the content filter 54 obtains the provider side PDI-A returned as the output argument of the provider side PDI-A obtaining API.

[0136]

15 In step S73, the content filter 54 calls a user side PDI-A evaluating API, which is an API for evaluating whether a user side PDI-A corresponding to the provider side PDI-A from the server 11 is stored in the PDI store 53.

[0137]

20 The input argument and the output argument of the user side PDI-A evaluating API are as follows.

Input argument: the provider side PDI-A

25 Output argument: a result (true/false) of the evaluation as to whether a user side PDI-A corresponding to the provider side PDI-A specified by the input argument is stored

[0138]

30 Incidentally, the provider side PDI-A is the provider side PDI-A obtained by the provider side PDI-A obtaining API. When the user side PDI-A evaluating API passes the provider side PDI-A to the DBMS managing the data in the PDI store 53, the DBMS searches for a user

side PDI-A corresponding to the provider side PDI-A. On the basis of a result of the search, the result of the evaluation as to whether a user side PDI-A corresponding to the provider side PDI-A is stored is returned as the
5 output argument.

[0139]

In step S74, the content filter 54 obtains the result of the user side PDI-A evaluation which result is returned as the output argument of the user side PDI-A
10 evaluating API.

[0140]

In step S75, the content filter 54 identifies the content ID of content metadata including the provider side PDI-A for which the result of the user side PDI-A
15 evaluation is true.

[0141]

In step S76, the content filter 54 calls a content obtaining API, which is an API for obtaining contents from the server 11.

20 [0142]

In step S77, the content filter 54 obtains the contents returned as the output argument of the content obtaining API.

[0143]

25 Thus, when the PDI store 53 is configured as a database, the content filter 54 can perform matching between the user side PDI-A and the provider side PDI-A by calling the user side PDI-A evaluating API.

[0144]

30 In the above description, the content filter 54 compares the user side PDI-A and the provider side PDI-A

expressed as instances with each other, and performs matching between the user side PDI-A and the provider side PDI-A according to whether there is at least one identical answer to a question. However, the content
5 filter 54 may compare the user side PDI-A and the provider side PDI-A with each other by expressing one of the user side PDI-A and the provider side PDI-A as a query for evaluating the PDI-A.

[0145]

10 A configuration in which the user side PDI-A and the provider side PDI-A are compared with each other by expressing one of the user side PDI-A and the provider side PDI-A as a query will be described in the following.

[0146]

15 [First Example of Matching Process Using Query for Evaluating PDI-A]

First, a configuration in which a user side PDI-A and a provider side PDI-A are compared with each other by expressing the provider side PDI-A as a query will be
20 described.

[0147]

Fig. 18 illustrates an example of functional configuration of a server 11 in which a provider side PDI-A is expressed as a query.

25 [0148]

The server 11 of Fig. 18 includes a PDI-Q generator 41, a communicating section 42, a content storing section 45, a content distributor 46, a PDI-FC generator 111, and a metadata distributor 112.

30 [0149]

Incidentally, in the server 11 of Fig. 18,

constitutions having similar functions to those provided in the server 11 of Fig. 3 will be identified by the same names and the same reference numerals, and description thereof will be omitted as appropriate.

5 [0150]

Specifically, the server 11 of Fig. 18 is different from the server 11 of Fig. 3 in that the server 11 of Fig. 18 includes the PDI-FC generator 111 and the metadata distributor 112 in place of the PDI-A generator 43 and
10 the metadata distributor 44.

[0151]

The PDI-FC generator 111 generates a PDI-A (provider side PDI-A) corresponding to a PDI-Q from the PDI-Q generator 41 on the basis of the PDI-Q, generates a
15 PDI-FC (Preference Demographic and Interest - Filtering Criteria) in which the generated provider side PDI-A is applied to a predetermined conditional statement, and supplies the PDI-FC to the metadata distributor 112.

[0152]

20 The metadata distributor 112 identifies (refers to) contents corresponding to the PDI-FC from the PDI-FC generator 111 from contents stored in the content storing section 45 on the basis of the PDI-FC. The metadata distributor 112 generates content metadata including the
25 PDI-FC as content metadata on the identified contents, and transmits the content metadata including the PDI-FC to a client 12 via the communicating section 42.

[0153]

The client 12 in this example is identical to the
30 client 12 of Fig. 4 except that the content filter 54 in Fig. 4 reads the user side PDI-A from the PDI store 53,

and filters contents on the basis of the user side PDI-A and the PDI-FC included in the content metadata transmitted from the server 11. Therefore description of the client 12 in this example will be omitted.

5 [0154]

A process of transmitting and receiving contents in a broadcasting system 10 including the server 11 of Fig. 18 will next be described with reference to a flowchart of Fig. 19.

10 [0155]

Incidentally, the processes of steps S111, S112, S116, S117, S121 to S123, and S125 in the flowchart of Fig. 19 are basically similar to the processes of steps S11, S12, S16, S17, S21 to S23, and S25 in the flowchart of Fig. 5, and therefore description thereof will be omitted.

[0156]

Specifically, in step S113, the PDI-FC generator 111 in the server 11 generates a provider side PDI-A for questions defined in the PDI-Q from the PDI-Q generator 41, generates a PDI-FC in which the generated provider side PDI-A is applied to a predetermined conditional statement, and supplies the PDI-FC to the metadata distributor 112. Specifically, when the PDI-Q has been generated by operation of the staff of a broadcasting station (side of a provider), the PDI-FC generator 111 makes screens corresponding to the questions defined in the PDI-Q as described above with reference to Figs. 8 to 12, for example, displayed on a display section not illustrated in the figures, and makes the staff of the broadcasting station input or select answers to the

20
25
30

questions and further determine a combination of answers
(filtering condition), thereby generating the PDI-FC
indicating the combination of the answers. At this time,
the staff of the broadcasting station input or select
5 answers corresponding to contents to be distributed as
answers to the questions defined in the PDI-Q, and
further determine a combination. That is, the PDI-FC
generated by the PDI-FC generator 111 indicates
information (combination of answers) for the side of the
10 provider to take the preferences of the user (viewer) of
the client 12 into consideration and have the viewer view
the contents to be distributed later.

[0157]

In step S114, the metadata distributor 112
15 identifies (refers to) contents corresponding to the PDI-
FC from the PDI-FC generator 111 from contents stored in
the content storing section 45 on the basis of the PDI-FC.
The contents identified in this case may be contents
whose content metadata, which is attached to the stored
20 contents in advance, has a higher degree of similarity to
the PDI-FC from the PDI-FC generator 111 than a
predetermined value, or may be contents selected by the
staff of the broadcasting station in advance as contents
desired to be viewed by the user. Incidentally, the
25 content distributor 46 obtains the contents identified by
the metadata distributor 112 from the content storing
section 45.

[0158]

In step S115, the metadata distributor 112
30 generates content metadata including the PDI-FC newly on
the basis of the content metadata attached in advance to

the contents identified in step S114 and the PDI-FC from the PDI-FC generator 111.

[0159]

Then, in step S124, the content filter 54 of the client 12 performs a matching process. The content filter 54 performs matching for the PDI-A stored in the PDI store 53 on the basis of the PDI-FC included in the content metadata from the server 11, thereby obtaining contents from the server 11.

10 [0160]

Suppose in this case that the PDI-A described with reference to Fig. 13 is generated and stored as a user side PDI-A, and that a PDI-FC shown in the following is transmitted from the server 11.

15 "//QBA[id='Common:111' and a='true'] and
//QSA[id='ProviderA:123' and a='Baseball']"
[0161]

The above-described PDI-FC indicates that evaluation is performed as to whether "true" is selected as an answer to the question of "Common:111" and "Baseball" is selected as an answer to the question of "ProviderA:123" in the user side PDI-A.

[0162]

At this time, the content filter 54 evaluates the user side PDI-A on the basis of the PDI-FC, and determines that the user side PDI-A and the PDI-FC match each other when the user side PDI-A satisfies the PDI-FC (true), or determines that the user side PDI-A and the PDI-FC do not match each other when the user side PDI-A does not satisfy the PDI-FC (false). In this case, "true" is selected as an answer to the question of

"Common:111" and "Baseball" is selected as an answer to the question of "ProviderA:123" in the user side PDI-A illustrated in Fig. 13. It is thus determined that the user side PDI-A and the PDI-FC match each other.

5 [0163]

[Details of Matching Process]

Details of the matching process performed in step S124 will next be described in the following with reference to a flowchart of Fig. 20.

10 [0164]

First, in step S151, the content filter 54 calls a user side PDI-A obtaining API, which is an API for obtaining the user side PDI-A from the PDI store 53.

[0165]

15 In step S152, the content filter 54 obtains the user side PDI-A returned as the output argument of the user side PDI-A obtaining API.

[0166]

20 In step S153, the content filter 54 calls a PDI-FC obtaining API, which is an API for obtaining the PDI-FC from the server 11.

[0167]

The input argument and the output argument of the PDI-FC obtaining API are as follows.

25 Input argument: a content ID (C_ID)

Output argument: the PDI-FC included in content metadata corresponding to the content ID specified by the input argument

[0168]

30 The content ID is information for identifying contents, and is also associated with content metadata on

the contents. For example, when the input argument is set as C_ID = *, all contents are specified. Thus, when the input argument is set as C_ID = *, the server 11 is requested to distribute content metadata on all the contents, and the PDI-FC included in the content metadata distributed from the server 11 in response to the request is returned as the output argument.

[0169]

In step S154, the content filter 54 obtains the PDI-FC returned as the output argument of the PDI-FC obtaining API.

[0170]

In step S155, the content filter 54 performs matching between the user side PDI-A and the PDI-FC by the method described above.

[0171]

In step S156, the content filter 54 identifies the content ID of the content metadata including the PDI-FC matching the user side PDI-A.

[0172]

In step S157, the content filter 54 calls a content obtaining API, which is an API for obtaining contents from the server 11.

[0173]

In step S158, the content filter 54 obtains the contents returned as the output argument of the content obtaining API, and supplies the contents to the content reproducing section 55 or the content storing section 56. The process then returns to step S124 in the flowchart of Fig. 19.

[0174]

The above description assumes that the user side PDI-A stored in the PDI store 53 is accessed by a file system. However, when the PDI store 53 is configured as a database, the user side PDI-A stored in the PDI store 53 is managed by a database management system (DBMS).
[0175]

[Details of Matching Process]

Details of a matching process in a case where the PDI store 53 is configured as a database will be described in the following with reference to a flowchart of Fig. 21.

[0176]

First, in step S171, the content filter 54 calls a PDI-FC obtaining API, which is an API for obtaining a PDI-FC from the server 11.

[0177]

In step S172, the content filter 54 obtains the PDI-FC returned as the output argument of the PDI-FC obtaining API.

[0178]

In step S173, the content filter 54 calls a user side PDI-A evaluating API, which is an API for evaluating whether a user side PDI-A corresponding to the PDI-FC from the server 11 is stored in the PDI store 53.

[0179]

The input argument and the output argument of the user side PDI-A evaluating API are as follows.

Input argument: the PDI-FC

Output argument: a result (true/false) of the evaluation based on the PDI-FC specified by the input argument

[0180]

The PDI-FC is the PDI-FC obtained by the PDI-FC obtaining API. When the user side PDI-A evaluating API passes the PDI-FC to the DBMS managing data in the PDI store 53, the DBMS evaluates the user side PDI-A using the PDI-FC. The result of the evaluation is returned as the output argument.

[0181]

In step S174, the content filter 54 obtains the result of the user side PDI-A evaluation which result is returned as the output argument of the user side PDI-A evaluating API.

[0182]

In step S175, the content filter 54 identifies the content ID of content metadata including the provider side PDI-A for which the result of the user side PDI-A evaluation is true.

[0183]

In step S176, the content filter 54 calls a content obtaining API, which is an API for obtaining contents from the server 11.

[0184]

In step S177, the content filter 54 obtains the contents returned as the output argument of the content obtaining API.

[0185]

Thus, when the PDI store 53 is configured as a database, the content filter 54 can perform matching between the user side PDI-A and the PDI-FC by calling the user side PDI-A evaluating API.

[0186]

As described above, a more complex filtering condition is expressed by the PDI-FC set on the side of the provider. Therefore the user (viewer) expected on the side of the provider can be more surely made to
5 obtain the contents.

[0187]

[Second Example of Matching Process Using Query for Evaluating PDI-A]

Next, a configuration in which a user side PDI-A
10 and a provider side PDI-A are compared with each other by expressing the user side PDI-A as a query will be described.

[0188]

Fig. 22 illustrates an example of functional
15 configuration of a client 12 in which a user side PDI-A is expressed as a query.

[0189]

The client 12 of Fig. 22 includes a communicating section 51, a content filter 54, a content reproducing
20 section 55, a content storing section 56, a PDI-FC generator 131, and a PDI store 132.

[0190]

Incidentally, in the client 12 of Fig. 22, constitutions having similar functions to those provided
25 in the client 12 of Fig. 4 will be identified by the same names and the same reference numerals, and description thereof will be omitted as appropriate.

[0191]

Specifically, the client 12 of Fig. 22 is different
30 from the client 12 of Fig. 4 in that the client 12 of Fig. 22 includes the PDI-FC generator 131 and the PDI store

132 in place of the PDI-A generator 52 and the PDI store 53.

[0192]

The PDI-FC generator 131 generates a user side PDI-A
5 A indicating answers of the user of the client 12 to questions about the preferences of the user, the user side PDI-A corresponding to a PDI-Q transmitted from a server 11, on the basis of the PDI-Q, generates a PDI-FC in which the generated user side PDI-A is applied to a
10 predetermined conditional statement, and supplies the PDI-FC to the PDI store 132.

[0193]

The PDI store 132 stores the PDI-FC from the PDI-FC generator 131. The PDI-FC stored in the PDI store 132 is
15 accessed by a file system, and is read out to the content filter 54 as required.

[0194]

Incidentally, the content filter 54 in Fig. 22 reads the PDI-FC from the PDI store 53, and filters
20 contents on the basis of the PDI-FC and the provider side PDI-A included in content metadata transmitted from the server 11.

[0195]

The server 11 in this example is identical to the
25 server 11 of Fig. 3, and therefore description thereof will be omitted.

[0196]

A process of transmitting and receiving contents in a broadcasting system 10 including the client 12 of Fig.
30 22 will next be described with reference to a flowchart of Fig. 23.

[0197]

Incidentally, the processes of steps S211 to S221 and S225 in the flowchart of Fig. 23 are basically similar to the processes of steps S11 to S21 and S25 in the flowchart of Fig. 5, and therefore description thereof will be omitted.

[0198]

Specifically, in step S222, the PDI-FC generator 131 in the client 12 generates a user side PDI-A for questions defined in the PDI-Q received in the communicating section 51, and generates a PDI-FC in which the generated user side PDI-A is applied to a predetermined conditional statement. Specifically, for example, when the PDI-Q from a broadcasting station has been received, the PDI-FC generator 131 makes screens corresponding to the questions defined in the PDI-Q as described above with reference to Figs. 8 to 12 displayed on a display section not illustrated in the figures, and makes the user (viewer) of the client 12 input or select answers to the questions and further makes the user determine a combination of answers (filtering condition), thereby generating the PDI-FC indicating the combination of the answers. That is, the PDI-FC generator 131 generates the PDI-FC indicating the combination of the answers to the questions defined in the PDI-Q by interacting with the user.

[0199]

In step S223, the PDI-FC generator 131 stores the generated PDI-FC in the PDI store 132.

30 [0200]

Then, in step S224, the content filter 54 performs

a matching process. The content filter 54 performs matching for the provider side PDI-A included in the content metadata from the server 11 on the basis of the PDI-FC stored in the PDI store 132, thereby obtaining
5 contents from the server 11.

[0201]

Suppose in this case that the PDI-A described with reference to Fig. 14 is transmitted as the provider side PDI-A from the server 11, and that a PDI-FC shown in the
10 following is generated and stored.

```
"/QBA[id='Common:111' and a='false'] and  
//QSA[id='ProviderA:123' and a='Baseball']"
```

[0202]

The above-described PDI-FC indicates that
15 evaluation is performed as to whether "false" is selected as an answer to the question of "Common:111" and "Baseball" is selected as an answer to the question of "ProviderA:123" in the provider side PDI-A.

[0203]

20 At this time, the content filter 54 evaluates the provider side PDI-A on the basis of the PDI-FC, and determines that the provider side PDI-A and the PDI-FC match each other when the provider side PDI-A satisfies the PDI-FC (true), or determines that the provider side
25 PDI-A and the PDI-FC do not match each other when the provider side PDI-A does not satisfy the PDI-FC (false). In this case, "false" is selected as an answer to the question of "Common:111" and "Baseball" is selected as an answer to the question of "ProviderA:123" in the provider
30 side PDI-A illustrated in Fig. 14. It is thus determined that the provider side PDI-A and the PDI-FC match each

other.

[0204]

[Details of Matching Process]

5 Details of the matching process performed in step
S224 will next be described in the following with
reference to a flowchart of Fig. 24.

[0205]

10 First, in step S251, the content filter 54 calls a
PDI-FC obtaining API, which is an API for obtaining the
PDI-FC from the PDI store 53.

[0206]

The input argument and the output argument of the
PDI-FC obtaining API are as follows.

Input argument: none

15 Output argument: PDI-FCs stored in the PDI store
132

[0207]

20 That is, when the PDI-FC obtaining API is called,
all PDI-FCs stored in the PDI store 132 are returned as
the output argument.

[0208]

In step S252, the content filter 54 obtains the
PDI-FC returned as the output argument of the PDI-FC
obtaining API.

25 [0209]

In step S253, the content filter 54 calls a
provider side PDI-A obtaining API, which is an API for
obtaining the provider side PDI-A from the server 11.

[0210]

30 In step S254, the content filter 54 obtains the
provider side PDI-A returned as the output argument of

the provider side PDI-A obtaining API.

[0211]

In step S255, the content filter 54 performs matching between the PDI-FC and the provider side PDI-A by the method described above.

[0212]

In step S256, the content filter 54 identifies the content ID of the content metadata including the provider side PDI-A matching the PDI-FC.

10 [0213]

In step S257, the content filter 54 calls a content obtaining API, which is an API for obtaining contents from the server 11.

[0214]

15 In step S258, the content filter 54 obtains the contents returned as the output argument of the content obtaining API, and supplies the contents to the content reproducing section 55 or the content storing section 56. The process then returns to step S224 in the flowchart of Fig. 23.

20 [0215]

The above description assumes that the PDI-FC stored in the PDI store 132 is accessed by a file system. However, when the PDI store 132 is configured as a database, the PDI-FC stored in the PDI store 132 is managed by a database management system (DBMS).

25 [0216]

[Details of Matching Process]

30 Details of a matching process in a case where the PDI store 132 is configured as a database will be described in the following with reference to a flowchart

of Fig. 25.

[0217]

First, in step S271, the content filter 54 calls a provider side PDI-A obtaining API, which is an API for
5 obtaining the provider side PDI-A from the server 11.

[0218]

In step S272, the content filter 54 obtains the provider side PDI-A returned as the output argument of the provider side PDI-A obtaining API.

10 [0219]

In step S273, the content filter 54 calls a PDI-FC evaluating API, which is an API for evaluating whether a PDI-FC corresponding to the provider side PDI-A from the server 11 is stored in the PDI store 132.

15 [0220]

The input argument and the output argument of the PDI-FC evaluating API are as follows.

Input argument: the provider side PDI-A

Output argument: a result (true/false) of the
20 evaluation as to whether a PDI-FC corresponding to the provider side PDI-A specified by the input argument is stored

[0221]

Incidentally, the provider side PDI-A is the
25 provider side PDI-A obtained by the provider side PDI-A obtaining API. When the PDI-FC evaluating API passes the provider side PDI-A to the DBMS managing data in the PDI store 132, the DBMS evaluates the provider side PDI-A using the PDI-FC stored in the PDI store 132. On the
30 basis of a result of the evaluation, the result of the evaluation as to whether a PDI-FC corresponding to the

provider side PDI-A is stored is returned as the output argument.

[0222]

In step S274, the content filter 54 obtains the
5 result of the PDI-FC evaluation which result is returned as the output argument of the PDI-FC evaluating API.

[0223]

In step S275, the content filter 54 identifies the content ID of the content metadata including the provider
10 side PDI-A for which the result of the PDI-FC evaluation is true.

[0224]

In step S276, the content filter 54 calls a content obtaining API, which is an API for obtaining contents
15 from the server 11.

[0225]

In step S277, the content filter 54 obtains the contents returned as the output argument of the content obtaining API.

20 [0226]

Thus, when the PDI store 132 is configured as a database, the content filter 54 can perform matching between the PDI-FC and the provider side PDI-A by calling the PDI-FC evaluating API.

25 [0227]

As described above, a more complex filtering condition is expressed by the PDI-FC set on the side of the user. Therefore, the contents expected on the side of the user can be more surely obtained.

30 [0228]

The present technology is applicable to a

broadcasting system for broadcasting digital television programs. As an example, the present technology is applicable to a broadcasting system for performing broadcasting by an ATSC-M/H (Mobile/Handheld) system, which is an extension of the ATSC (Advanced Television Standard Committee) system to mobile reception.

[0229]

[Example of Application to Broadcasting System for Broadcasting by ATSC-M/H System]

Fig. 26 is a diagram illustrating an example of configuration of a broadcasting system for broadcasting a digital television program by each of the conventional ATSC system and ATSC-M/H, to which broadcasting system the present technology is applied.

[0230]

The broadcasting system of Fig. 26 corresponds to the server 11 in the broadcasting system 10 of Fig. 1, and includes an ATSC Legacy System 151, an ATSC M/H System 152, an M/H Framing 153, and an RF/Transmission System 154.

[0231]

The ATSC Legacy System 151 sends out a broadcast stream by MPEG2-TS (Moving Picture Experts Group 2 Transport System) by the conventional ATSC system. The ATSC M/H System 152 sends out a broadcast stream of IP packets by the ATSC-M/H system. Control Data 152a in the ATSC M/H System 152 is control information on the broadcast stream (A/V (Audio/Video) contents) sent out from the ATSC M/H System 152.

[0232]

The broadcast streams described above are each

5 multiplexed by the M/H Framing 153, and then transmitted
as broadcast waves by the RF/Transmission System 154.
Incidentally, details of functions of the respective
blocks are described in the ATSC standard, and therefore
description thereof will be omitted in the following.

[0233]

Fig. 27 illustrates a protocol stack in a broadcast
wave signal transmitted by the ATSC-M/H system.

[0234]

10 Though not described in detail, one of the highest
layers is "Service Guide," and defines the metadata of
contents provided by the ATSC-M/H system. The Control
Data 152a illustrated in Fig. 26 is transmitted as
content metadata defined in the "Service Guide"
15 (hereinafter referred to simply as Service Guide). That
is, in the broadcasting system of Fig. 26, the PDI-A
(provider side PDI-A), the PDI-FC, and the PDI-Q
transmitted from the server 11 to the client 12 in the
above-described broadcasting system 10 are stored and
20 transmitted in the Service Guide.

[0235]

Incidentally, in Fig. 27, a lower layer "FLUTE"
adjacent to the "Service Guide" and a lower layer "ALC"
adjacent to "FLUTE" are layers for transferring the
25 Service Guide packetized by UDP/IP (User Datagram
Protocol/Internet Protocol).

[0236]

30 As specifications of the Service Guide, a data
configuration illustrated in Fig. 28 is defined by OMA
(Open Mobile Alliance). Incidentally, details of the
configuration of the Service Guide illustrated in Fig. 28

are defined in "'Service Guide for Mobile Broadcast Services,' Open Mobile Alliance, OMA-TSBCAST_ServiceGuide-V1_0, Candidate Version 1.0," and therefore description thereof will be omitted.

5 [0237]

The PDI-A (provider side PDI-A) or the PDI-FC is stored in at least one of a "Service" fragment, a "Schedule" fragment, and a "Content" fragment among elements forming the Service Guide illustrated in Fig. 28.

10 [0238]

The "Service" fragment is metadata including control information on the contents of a channel service. Fig. 29 illustrates details of a configuration thereof. The PDI-A or the PDI-FC is stored in a "PDI-FC" element, for example, newly added to a "PrivateExt" element defined in a lowermost section in the "Service" fragment illustrated in Fig. 29. Specifically, for example, the "PDI-FC" element is expressed in a character string as <xs:element name = "PDI-FC" type = "xs:string" xmlns:xs = "http://www.w3.org/2001/XMLSchema"/> by XML schema, and encoded.

[0239]

The "Schedule" fragment is metadata including control information on a schedule for distribution of contents (digital television programs). Fig. 30 illustrates details of a configuration thereof. The PDI-A or the PDI-FC is stored in a "PDI-FC" element, for example, newly added to a "PrivateExt" element defined in a lowermost section in the "Schedule" fragment illustrated in Fig. 30. Specifically, for example, the "PDI-FC" element is expressed in a character string as

<xs:element name = "PDI-FC" type = "xs:string" xmlns:xs =
"http://www.w3.org/2001/XMLSchema"/> by XML schema, and
encoded.

[0240]

5 The "Content" fragment is metadata including
control information on contents of contents (digital
television programs). Fig. 31 illustrates details of a
configuration thereof. The PDI-A or the PDI-FC is stored
in a "PDI-FC" element, for example, newly added to a
10 "PrivateExt" element defined in a lowermost section in
the "Content" fragment illustrated in Fig. 31.

Specifically, for example, the "PDI-FC" element is
expressed in a character string as <xs:element name =
"PDI-FC" type = "xs:string" xmlns:xs =
15 "http://www.w3.org/2001/XMLSchema"/> by XML schema, and
encoded.

[0241]

In addition, the PDI-Q is stored in an
"Interactivity Data" fragment among the elements forming
20 the Service Guide illustrated in Fig. 28.

[0242]

The "Interactivity Data" fragment is metadata on
applications related to channel service and contents
(television programs). Fig. 32 illustrates details of a
25 configuration thereof. The PDI-Q is stored in a "PDI-Q"
element, for example, newly added to a "PrivateExt"
element defined in a lowermost section in the
"Interactivity Data" fragment illustrated in Fig. 32.
Specifically, for example, the "PDI-Q" element is
30 expressed in a character string as <xs:element name =
"PDI-Q" type = "xs:string" xmlns:xs =

"http://www.w3.org/2001/XMLSchema"/> by XML schema, and encoded.

[0243]

The above description has been made of an example
5 in which the present technology is applied to a
broadcasting system for performing broadcasting by the
ATSC-M/H system. However, the present technology is also
applicable to a broadcasting system for performing NRT
(Non-Real Time) broadcasting by the conventional ATSC
10 system. The NRT broadcasting does not assume real-time
viewing of contents, and does not require that contents
be reproduced in synchronism with the time of
broadcasting of the contents broadcast as data by a
broadcast signal.

15 [0244]

[Example of Application to Broadcasting System for
NRT Broadcasting]

Fig. 33 illustrates a protocol stack in a broadcast
wave signal transmitted by NRT broadcasting.

20 Though not described in detail, a lowest layer is
"Physical Layer," and the frequency band of broadcast
waves corresponds to this layer. A higher layer adjacent
to the "Physical Layer" is "MPEG2-TS," and a broadcast
stream broadcast as broadcast waves corresponds to this
25 layer.

[0245]

"ATSC-PSIP (Program and System Information
Protocol)" and "MPEG2-PSI (Program Specific Information)"
are shown as higher layers adjacent to the "MPEG2-TS."
30 The "ATSC-PSIP" is a layer having TVCT. The "MPEG2-PSI"
is a layer having PAT (Program Association Table) and PMT

(Program Map Table).

[0246]

In addition, "DSM-CC (Digital Storage Media Command and Control) Addressable Section" is shown as a higher
5 layer adjacent to the "MPEG2-TS." The "DSM-CC Addressable Section" is used as an adaptation layer for transferring IP packets on the MPEG2-TS of a broadcast stream.

[0247]

10 Fig. 34 illustrates a data structure of the TVCT, the PAT, the PMT, and the DSM-CC Addressable Section. In the TVCT, control information on the broadcast stream broadcast by MPEG2-TS is described. The MPEG2-TS that transfers the DSM-CC Addressable Section for transferring
15 an IP packet stream (UDP/IP Packets) is identified on the basis of the TVCT.

[0248]

Returning to Fig. 33, "IP" is shown as a higher layer adjacent to the "DSM-CC Addressable Section," and
20 "UDP" is shown as a higher layer adjacent to the "IP."

[0249]

"Service Signaling Channel" and "FLUTE/ALC (File Delivery over Unidirectional Transport/Asynchronous Layered Coding Protocol)" are shown as higher layers
25 adjacent to the "UDP." The "Service Signaling Channel" is a layer having SMT (Service Map Table) and NRT-IT (NRT Information Table). "FLUTE Session" is shown as a higher layer adjacent to the "FLUTE/ALC." The "FLUTE Session" is a layer having FLUTE-FDT (File Delivery Table) and A/V
30 File (A/V file).

[0250]

Fig. 35 illustrates a data structure of the SMT, the NRT-IT, and the FLUTE FDT. In the SMT, metadata on channels is described. In the NRT-IT, metadata on contents is described. The SMT and the NRT-IT are transferred by the above-described "Service Signaling Channel." In the FLUTE FDT, information for identifying each A/V file is described. Incidentally, A/V files are transferred by the above-described "FLUTE/ALC."

[0251]

10 In the broadcasting system for performing NRT broadcasting, the PDI-A (provider side PDI-A), the PDI-FC, and the PDI-Q transmitted from the server 11 to the client 12 in the above-described broadcasting system 10 are stored and transmitted in the SMT or the NRT-IT.

15 [0252]

That is, in a case where distributed contents are filtered in units of channels (broadcasting stations), a "PDI descriptor" for storing the PDI-A, the PDI-FC, or the PDI-Q is newly defined in a descriptor loop (in a lowermost section of "Service #1" in the figure) of the service level of the SMT.

[0253]

25 In addition, in a case where distributed contents are filtered in content units, a "PDI descriptor" for storing the PDI-A, the PDI-FC, or the PDI-Q is newly defined in a descriptor loop (in a lowermost section of "Content #1" in the figure) of the service level of the NRT-IT.

[0254]

30 Fig. 36 illustrates an example of the syntax of a "PDI descriptor." Each of descriptors described in Fig.

36 is defined together with a number of bits (No. of Bits) and a format (Format).

[0255]

According to the syntax illustrated in Fig. 36, the PDI-A, the PDI-FC, or the PDI-Q is described in a descriptor "PDI_Q or PDI_A or PDI_FC" as variable bits.

[0256]

It is to be noted that the syntax of the "PDI descriptor" is not limited to the example illustrated in Fig. 36.

[0257]

Thus, the present technology is also applicable to a broadcasting system for performing NRT broadcasting.

[0258]

It is to be noted that the present technology may, of course, also be applied to a broadcasting system for performing broadcasting by the ATSC-M/H system described above and a broadcasting system for performing NRT broadcasting by a system other than row broadcasting systems.

[0259]

The series of processes described above can be not only carried out by hardware but also carried out by software. When the series of processes is to be carried out by software, a program constituting the software is installed from a program recording medium onto a computer incorporated in dedicated hardware or a general-purpose personal computer, for example, that can perform various kinds of functions by installing various kinds of programs thereon.

[0260]

As illustrated in Fig. 2, the program recording medium storing the program to be installed on the computer and set in a state of being executable by the computer is formed by the removable media 31 as packaged media including a magnetic disk (including a flexible disk), an optical disk (including a CD-ROM (Compact Disc-Read Only Memory) and a DVD (Digital Versatile Disc)), and a magneto-optical disk, a semiconductor memory, or the like, or the ROM 22, the hard disk forming the storage section 28, or the like, which stores the program temporarily or permanently. The program is stored onto the program recording medium using a wire or wireless communication medium such as a local area network, the Internet, or digital satellite broadcasting via the communicating section 29 as an interface such as a router or a modem as the occasion demands.

[0261]

It is to be noted that in the present specification, the steps describing the program stored on the program recording medium include not only processes performed in time series in the described order but also processes not necessarily performed in time series but performed in parallel or individually.

[0262]

In addition, in the present specification, a system refers to an apparatus as a whole formed by a plurality of devices.

[0263]

It is to be noted that embodiments of the present technology are not limited to the foregoing embodiments, and that various changes can be made without departing

from the spirit of the present technology.

REFERENCE SIGNS LIST

[0264]

5	10	Broadcasting system
	11	Server
	12	Client
	41	PDI-Q generator
	42	Communicating section
10	43	PDI-A generator
	44	Metadata distributor
	45	Content storing section
	46	Content distributor
	51	Communicating section
15	52	PDI-A generator
	53	PDI store
	54	Content filter
	55	Content reproducing section
	56	Content storing section
20	111	PDI-FC generator
	112	Metadata distributor
	131	PDI-FC generator
	132	PDI store

CLAIMS

1. An information processing device for obtaining contents distributed from a server, comprising:

5 an answer generating section configured to generate user side answer information as information indicating an answer of a user to a question about a preference of the user so as to correspond to question information as information indicating the question, the question
10 information being transmitted from the server; and

a matching section configured to obtain the contents distributed from the server by performing matching between the user side answer information and provider side answer information as information
15 indicating an answer set to the question by a provider providing the contents, the provider side answer information being transmitted from the server,

wherein the matching section is provided as a Web application, and performs the matching between the user
20 side answer information and the provider side answer information by calling a plurality of APIs (Application Programming Interfaces).

2. The information processing device according to
25 claim 1, further comprising

a storage section configured to store the user side answer information generated by the answer generating section,

wherein the matching section performs the matching
30 between the user side answer information stored in the storage section and the provider side answer information

by calling the plurality of APIs.

3. The information processing device according to claim 2,

5 wherein the matching section calls a user side answer information obtaining API for obtaining the user side answer information from the storage section.

4. The information processing device according to claim 2,

10 wherein the matching section calls a provider side answer information obtaining API for obtaining the provider side answer information from the server.

15 5. The information processing device according to claim 2,

20 wherein when the storage section is configured as a database, the matching section calls the user side answer information evaluating API for evaluating whether the user side answer information corresponding to the provider side answer information is stored in the storage section, and the matching section obtains the contents corresponding to the provider side answer information for which an evaluation result is true.

25

6. The information processing device according to claim 2,

30 wherein the matching section calls a content obtaining API for obtaining the contents using a result of the matching.

7. The information processing device according to claim 2,

wherein the matching section obtains the contents distributed from the server by performing matching
5 between the user side answer information and a query indicating a combination of answers set by the provider, the query being transmitted from the server.

8. The information processing device according to
10 claim 7,

wherein the matching section calls a query obtaining API for obtaining the query from the server.

9. The information processing device according to
15 claim 7,

wherein when the storage section is configured as a database, the matching section calls the user side answer information evaluating API for evaluating whether the user side answer information corresponding to the query
20 is stored in the storage section, and the matching section obtains the contents corresponding to the query for which an evaluation result is true.

10. An information processing method of an information
25 processing device for obtaining contents distributed from a server, the information processing method comprising:

an answer generating step of generating user side answer information as information indicating an answer of a user to a question about a preference of the user so as
30 to correspond to question information as information indicating the question, the question information being

transmitted from the server; and

a matching step of obtaining the contents distributed from the server by performing matching between the user side answer information and provider side answer information as information indicating an answer set to the question by a provider providing the contents, the provider side answer information being transmitted from the server,

wherein the matching step performs the matching between the user side answer information and the provider side answer information by calling a plurality of APIs (Application Programming Interfaces) on a Web application.

11. An information processing device for obtaining contents distributed from a server, comprising:

a query generating section configured to generate a query indicating a combination of answers of a user to questions about preferences of the user so as to correspond to question information as information indicating the questions, the question information being transmitted from the server; and

a matching section configured to obtain the contents distributed from the server by performing matching between the query and provider side answer information as information indicating answers set to the questions by a provider providing the contents, the provider side answer information being transmitted from the server,

wherein the matching section is provided as a Web application, and performs the matching between the query and the provider side answer information by calling a

plurality of APIs (Application Programming Interfaces).

12. The information processing device according to claim 11, further comprising

5 a storage section configured to store the query generated by the query generating section,

wherein the matching section performs the matching between the query stored in the storage section and the provider side answer information by calling the plurality
10 of APIs.

13. The information processing device according to claim 12,

wherein the matching section calls a query
15 obtaining API for obtaining the query from the storage section.

14. The information processing device according to claim 12,

20 wherein the matching section calls a provider side answer information obtaining API for obtaining the provider side answer information from the server.

15. The information processing device according to
25 claim 12,

wherein when the storage section is configured as a database, the matching section calls the query evaluating API for evaluating whether the query corresponding to the provider side answer information is stored in the storage
30 section, and the matching section obtains the contents corresponding to the provider side answer information for

which an evaluation result is true.

16. The information processing device according to claim 12,

5 wherein the matching section calls a content obtaining API for obtaining the contents using a result of the matching.

17. An information processing method of an information
10 processing device for obtaining contents distributed from a server, the information processing method comprising:

 a query generating step of generating a query
 indicating a combination of answers of a user to
 questions about preferences of the user so as to
15 correspond to question information as information
 indicating the questions, the question information being
 transmitted from the server; and

 a matching step of obtaining the contents
 distributed from the server by performing matching
20 between the query and provider side answer information as
 information indicating answers set to the questions by a
 provider providing the contents, the provider side answer
 information being transmitted from the server,

 wherein the matching step performs the matching
25 between the query and the provider side answer
 information by calling a plurality of APIs (Application
 Programming Interfaces) on a Web application.

FIG. 1

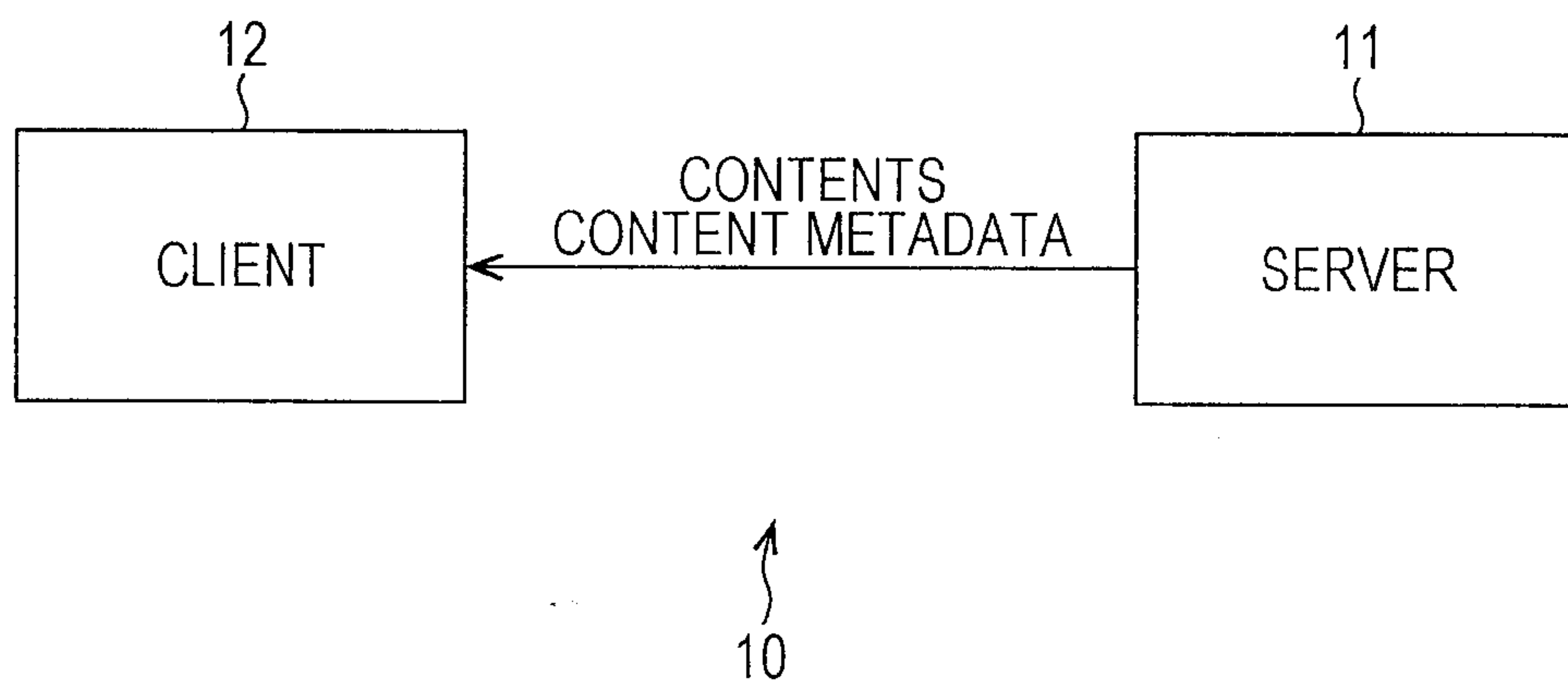


FIG. 2

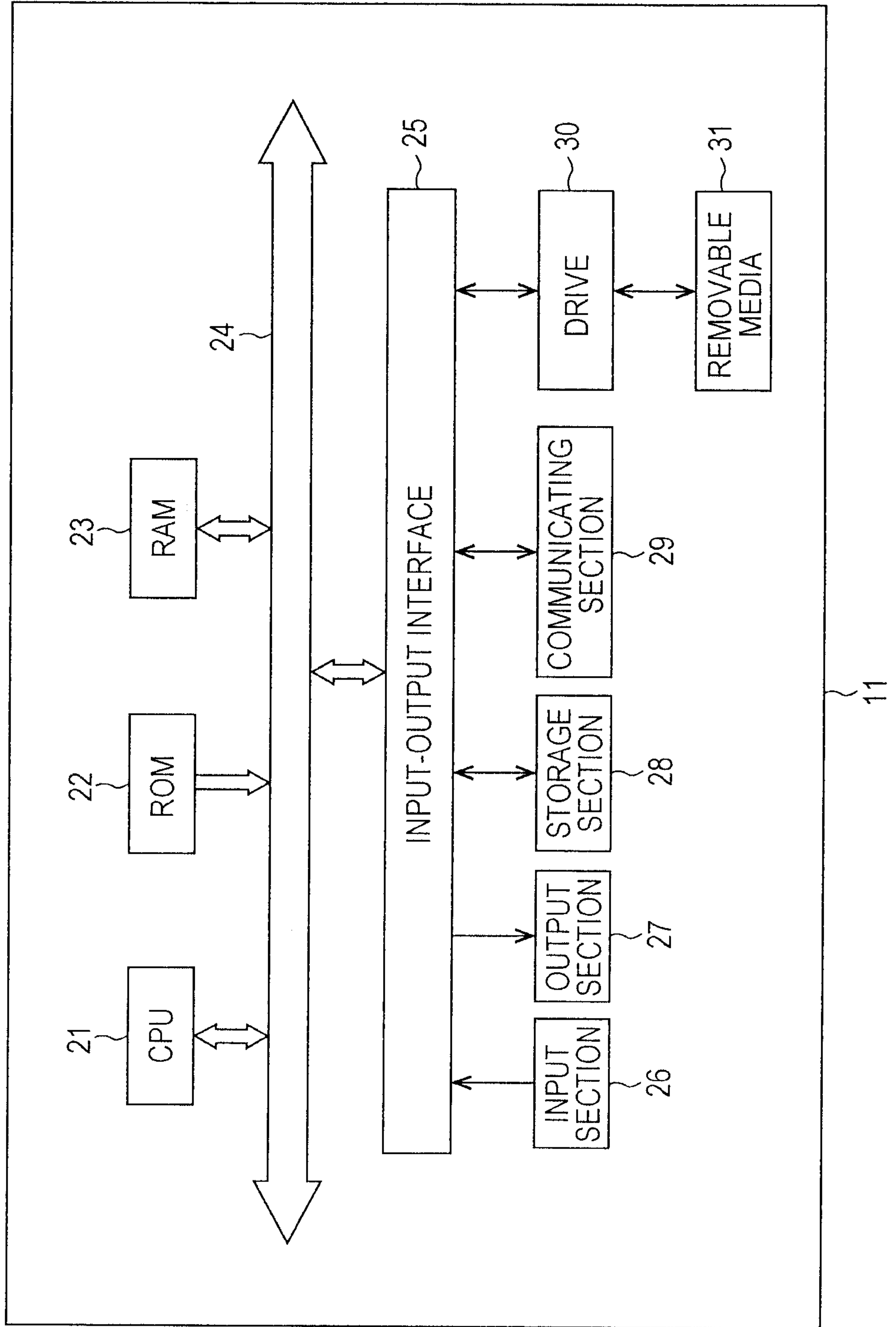


FIG. 3

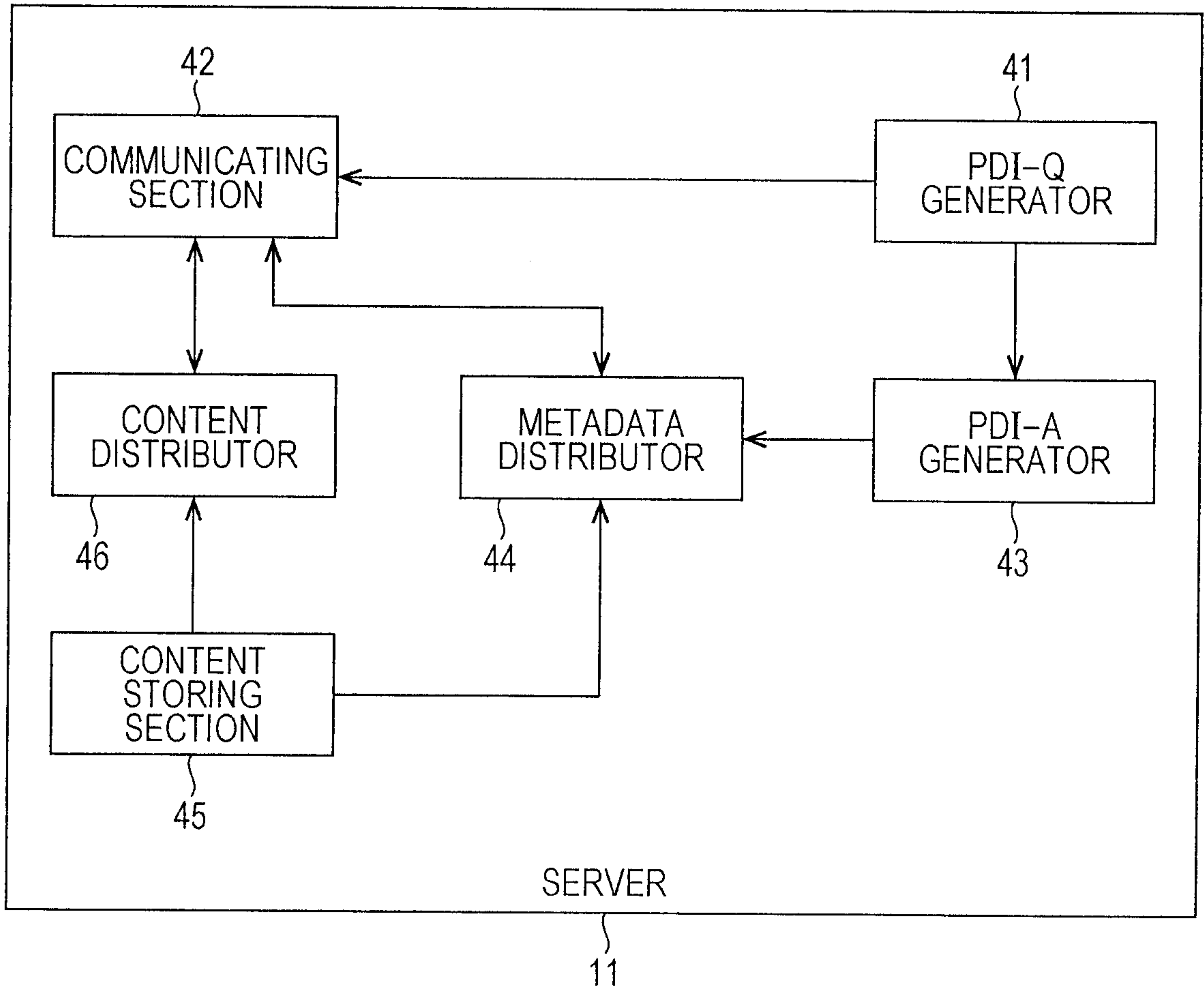


FIG. 4

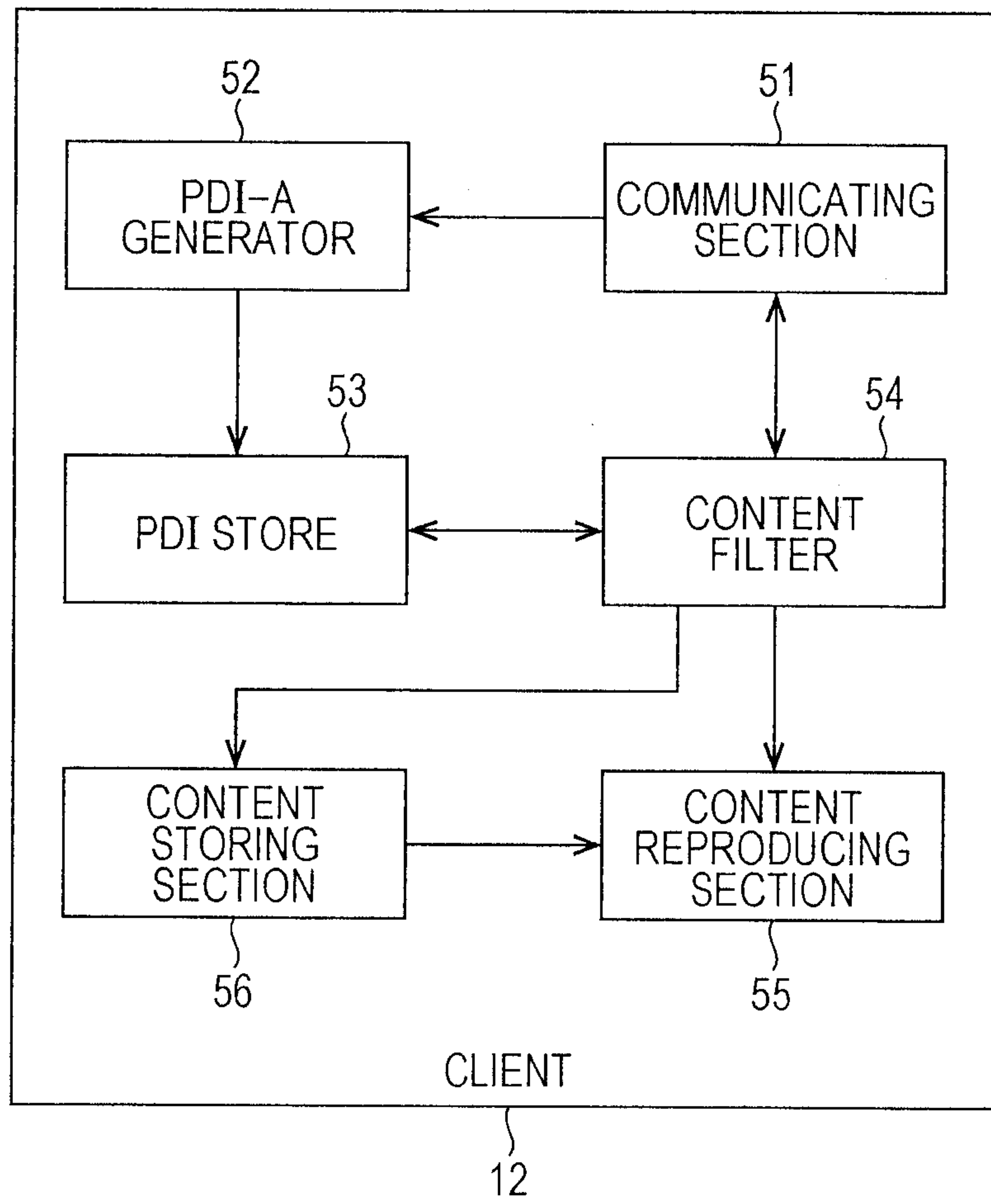
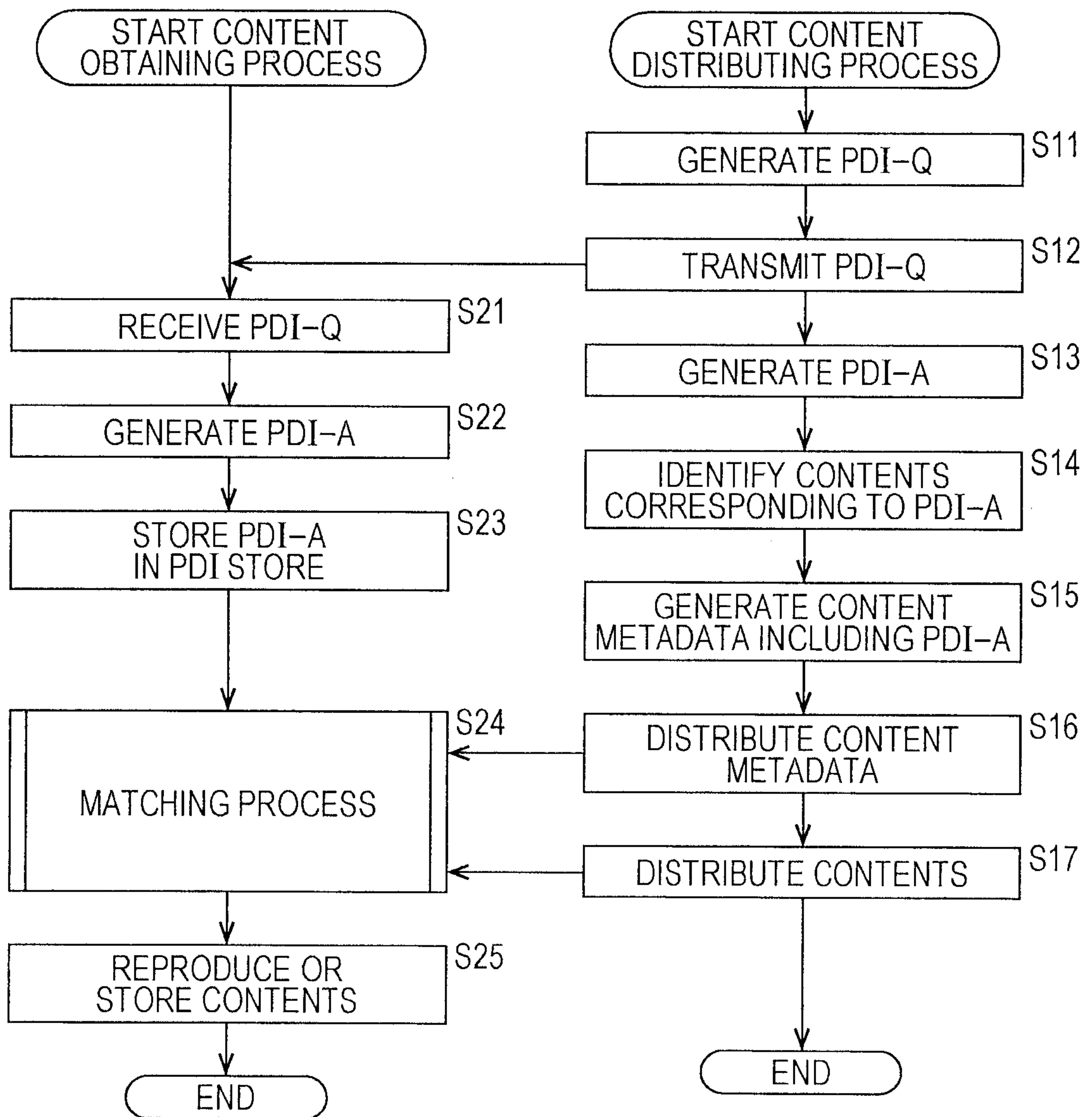


FIG. 5



6/36

FIG. 6

```

1 : <xs:schema xmlns:xs="http://www.w3.org/2001/XMLSchema" elementFormDefault="qualified"
  attributeFormDefault="unqualified">
2 :   <xs:element name="PDITable" type="PDITableType"/>
3 :   <xs:complexType name="PDITableType">
4 :     <xs:choice maxOccurs="unbounded">
5 :       <xs:element name="QIA" type="IntegerAnswerType"/>
6 :       <xs:element name="QBA" type="BooleanAnswerType"/>
7 :       <xs:element name="QSA" type="SelectionAnswerType"/>
8 :       <xs:element name="QTA" type="TextAnswerType"/>
9 :       <xs:element name="QAA" type="AnyAnswerType"/>
10 :     </xs:choice>
11 :     <xs:attribute name="transactional" type="xs:boolean" use="optional"/>
12 :   </xs:complexType>
13 :   <xs:complexType name="IntegerAnswerType">
14 :     <xs:sequence>
15 :       <xs:element name="id" type="xs:anyURI"/>
16 :       <xs:element name="q" type="xs:string" minOccurs="0"/>
17 :       <xs:element name="a" type="xs:integer" minOccurs="0"/>
18 :     </xs:sequence>
19 :     <xs:attribute name="minInclusive" type="xs:integer" use="optional"/>
20 :     <xs:attribute name="maxInclusive" type="xs:integer" use="optional"/>
21 :   </xs:complexType>
22 :   <xs:complexType name="BooleanAnswerType">
23 :     <xs:sequence>
24 :       <xs:element name="id" type="xs:anyURI"/>
25 :       <xs:element name="q" type="xs:string" minOccurs="0"/>
26 :       <xs:element name="a" type="xs:boolean" minOccurs="0"/>
27 :     </xs:sequence>
28 :   </xs:complexType>
29 :   <xs:complexType name="SelectionAnswerType">
30 :     <xs:sequence>
31 :       <xs:element name="id" type="xs:anyURI"/>
32 :       <xs:element name="q" type="xs:string" minOccurs="0"/>
33 :       <xs:element name="a" type="xs:string" minOccurs="0" maxOccurs="unbounded"/>
34 :     </xs:sequence>
35 :     <xs:attribute name="minChoice" type="xs:integer" use="optional"/>
36 :     <xs:attribute name="maxChoice" type="xs:integer" use="optional"/>
37 :   </xs:complexType>
38 :   <xs:complexType name="TextAnswerType">
39 :     <xs:sequence>
40 :       <xs:element name="id" type="xs:anyURI"/>
41 :       <xs:element name="q" type="xs:string" minOccurs="0"/>
42 :       <xs:element name="a" type="xs:string" minOccurs="0"/>
43 :     </xs:sequence>
44 :   </xs:complexType>
45 : </xs:schema>

```

FIG. 7

```

1: <PDITable transactional="true" >
2:   <QBA>
3:     <id>Common:111</id>
4:     <q>Are you currently employed?</q>
5:   </QBA>
6:   <QIA minInclusive="10" maxInclusive="100">
7:     <id>Common:222</id>
8:     <q>What is the age of the oldest member of the household who watches television?</q>
9:   </QIA>
10:  <QSA minChoice="1" maxChoice="3">
11:    <id>ProviderA:123</id>
12:    <q>In which of the following sports are you most interested? (Multiple selection allowed)</q>
13:    <a>Baseball</a>
14:    <a>Basketball</a>
15:    <a>Soccer</a>
16:    <a>Hockey</a>
17:  </QSA>
18:  <QSA maxChoice="1">
19:    <id>ProviderA:ProgramX:123</id>
20:    <q>Do you enjoy camping and outdoor recreation? (Only one selection)</q>
21:    <a>Never</a>
22:    <a>Occasionally</a>
23:    <a>Frequently</a>
24:  </QSA>
25:  <QTA>
26:    <id>ProviderA:321</id>
27:    <q>Who's products are you most interested in recently? </q>
28:  </QTA>
29: </PDITable>

```

FIG. 8

QUESTION: Are you currently employed?	61
Yes	62-1
No	62-2

SELECT EITHER.

FIG. 9

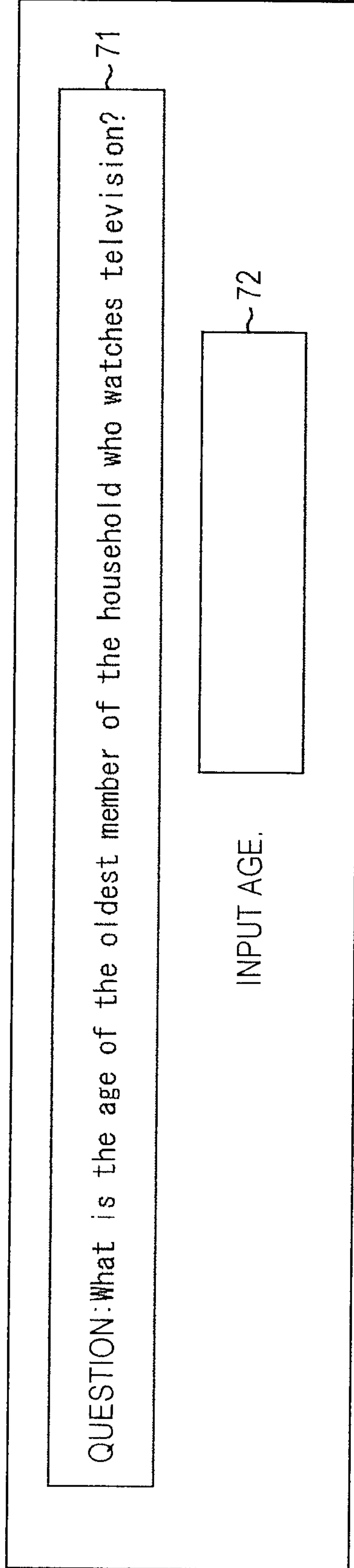


FIG. 10

QUESTION: In which of the following sports are you most interested? (Multiple selection allowed) ~81	
Baseball	~82-1
Basketball	~82-2
Soccer	~82-3
Hockey	~82-4

SELECT ONE TO THREE OF THE FOLLOWING.

FIG. 11

QUESTION: Do you enjoy camping and outdoor recreation? (Only one selection)	~91
SELECT ONLY ONE OF THE FOLLOWING.	Never ~92-1
	Occasionally ~92-2
	Frequently ~93-3

FIG. 12

QUESTION: Who's products are you most interested in recently?

DESCRIBE FREELY.

101

102

The diagram consists of a large outer rectangle. Inside it, at the top, is a smaller rectangle labeled '101' with a squiggly line pointing to its top edge. Below this rectangle is the text 'QUESTION: Who's products are you most interested in recently?'. Below the question is the text 'DESCRIBE FREELY.'. At the bottom of the large outer rectangle is another smaller rectangle labeled '102' with a squiggly line pointing to its bottom edge.

FIG. 13

```

1 : <PDITable >
2 :     <QBA>
3 :         <id>Common:111</id>
4 :         <a>>true</a>
5 :     </QBA>
6 :     <QIA>
7 :         <id>Common:222</id>
8 :         <a>34</a>
9 :     </QIA>
10 :    <QSA>
11 :        <id>ProviderA:123</id>
12 :        <a>Baseball</a>
13 :        <a>Soccer</a>
14 :        <a>Hockey</a>
15 :    </QSA>
16 :    <QSA>
17 :        <id>ProviderA:ProgramX:123</id>
18 :        <a>Occasionally</a>
19 :    </QSA>
20 :    <QTA>
21 :        <id>ProviderA:321</id>
22 :        <a>Somy</a>
23 :    </QTA>
24 : </PDITable>

```

FIG. 14

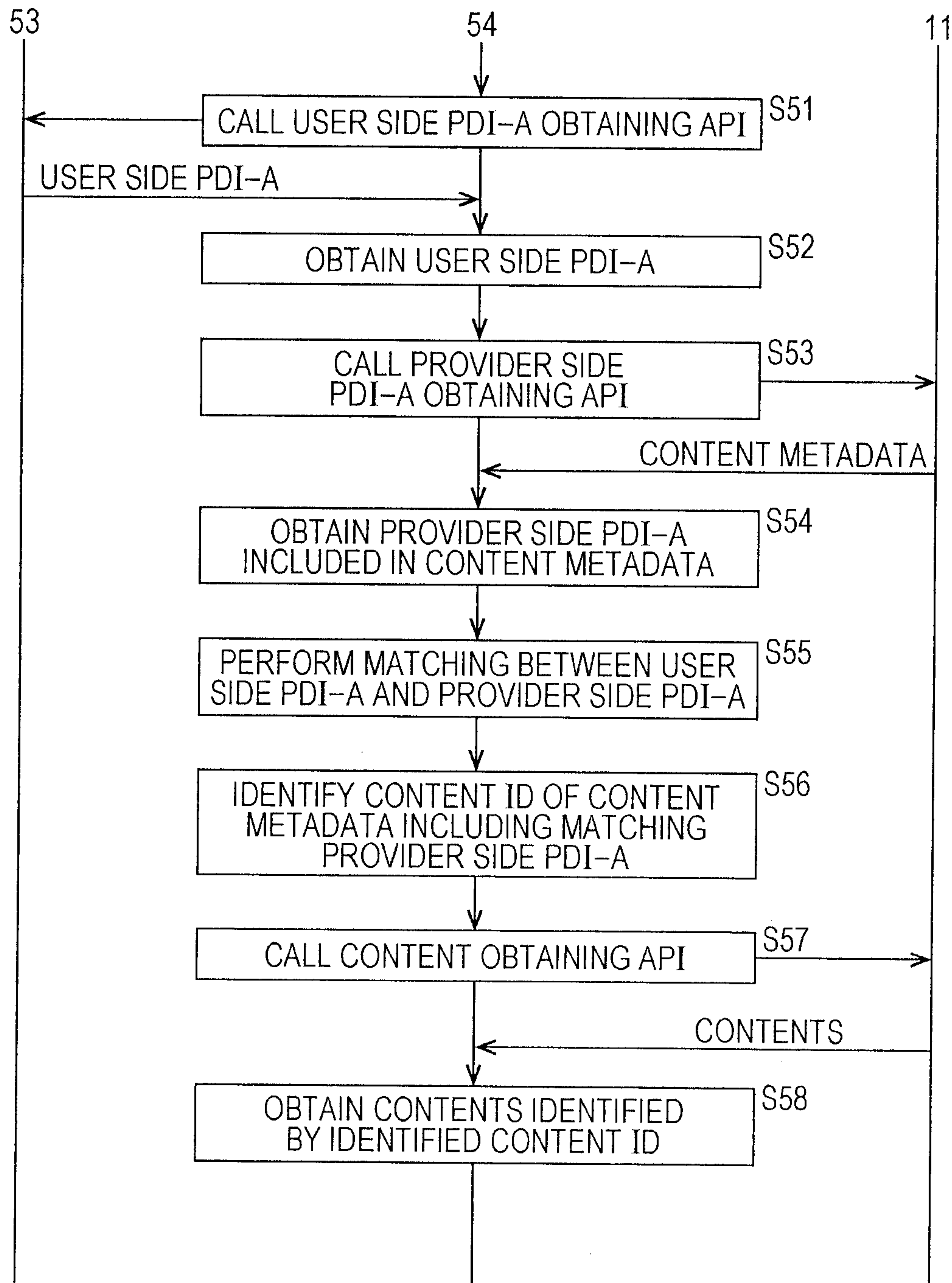
```
1: <PDITable>
2:   <QBA>
3:     <id>Common:111</id>
4:     <a>false</a>
5:   </QBA>
6:   <QSA>
7:     <id>ProviderA:123</id>
8:     <a>Baseball</a>
9:   </QSA>
10:  <QSA>
11:    <id>ProviderA:ProgramX:123</id>
12:    <a>Never</a>
13:  </QSA>
14: </PDITable>
```

FIG. 15

```
1 : <PDItable>  
2 :   <QSA>  
3 :     <id>ProviderA:123</id>  
4 :     <a>Basketball</a>  
5 :   </QSA>  
6 :   <QSA>  
7 :     <id>ProviderA:ProgramX:123</id>  
8 :     <a>Never</a>  
9 :   </QSA>  
10 : </PDItable>
```

16/36

FIG. 16



17/36

FIG. 17

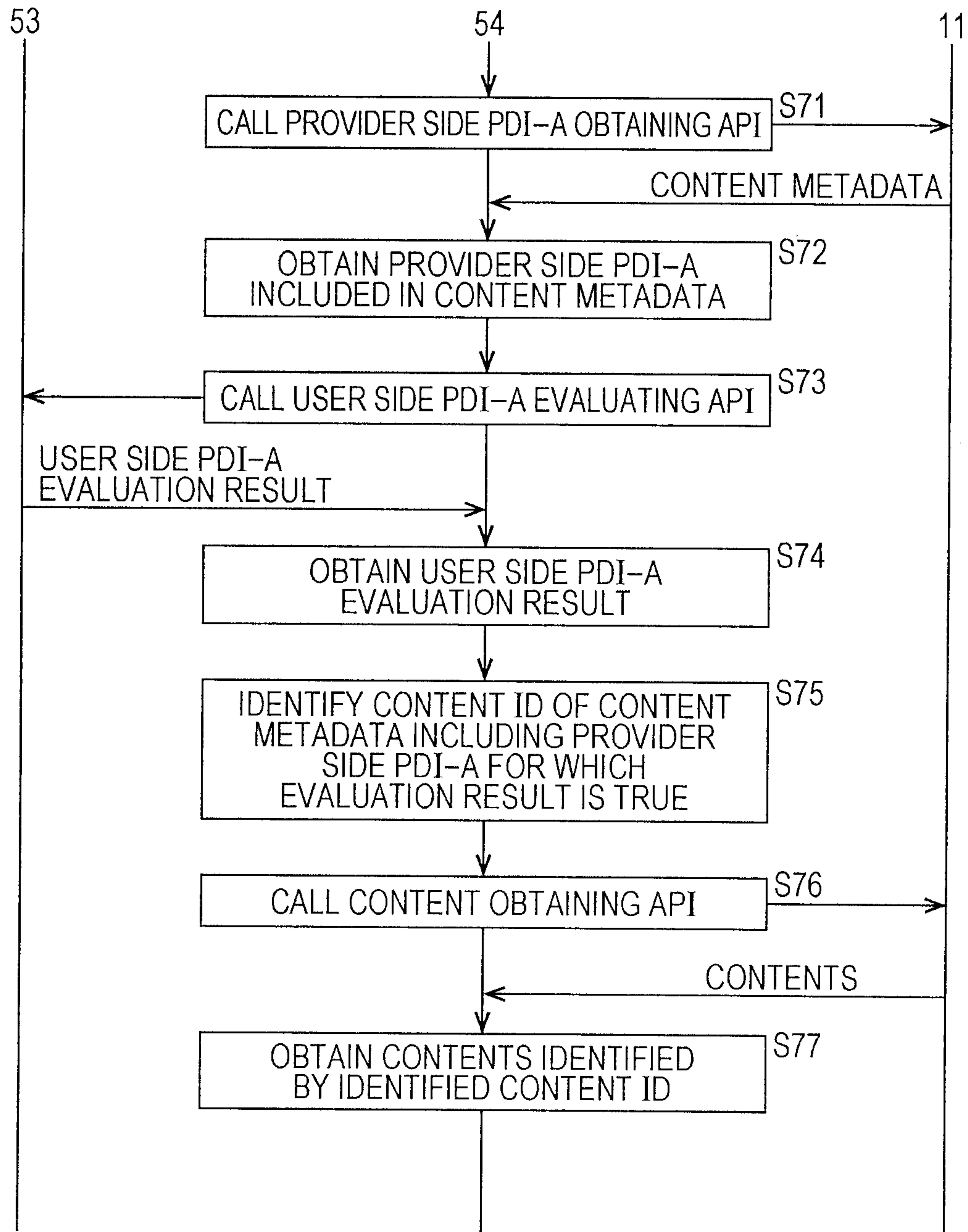


FIG. 18

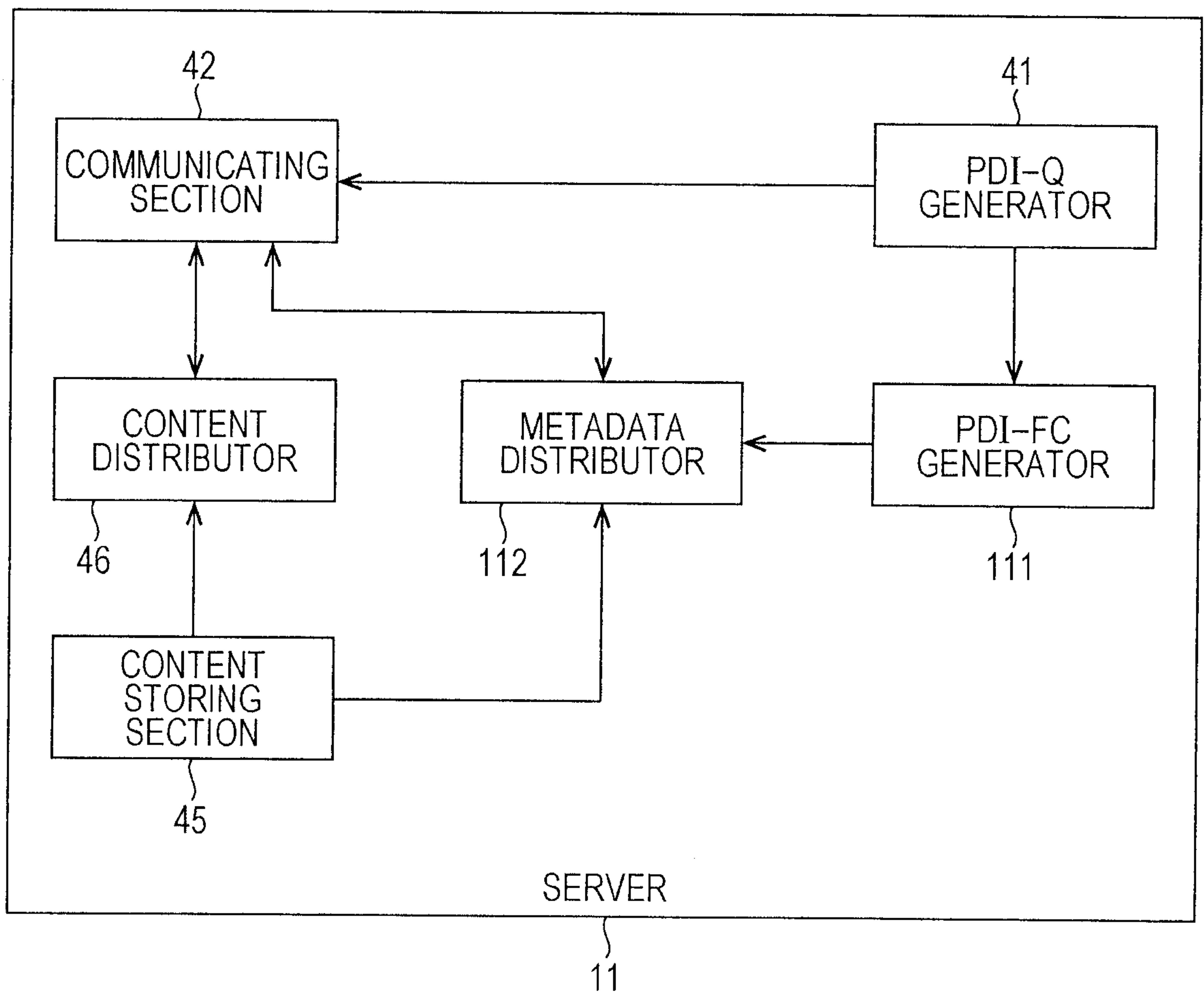
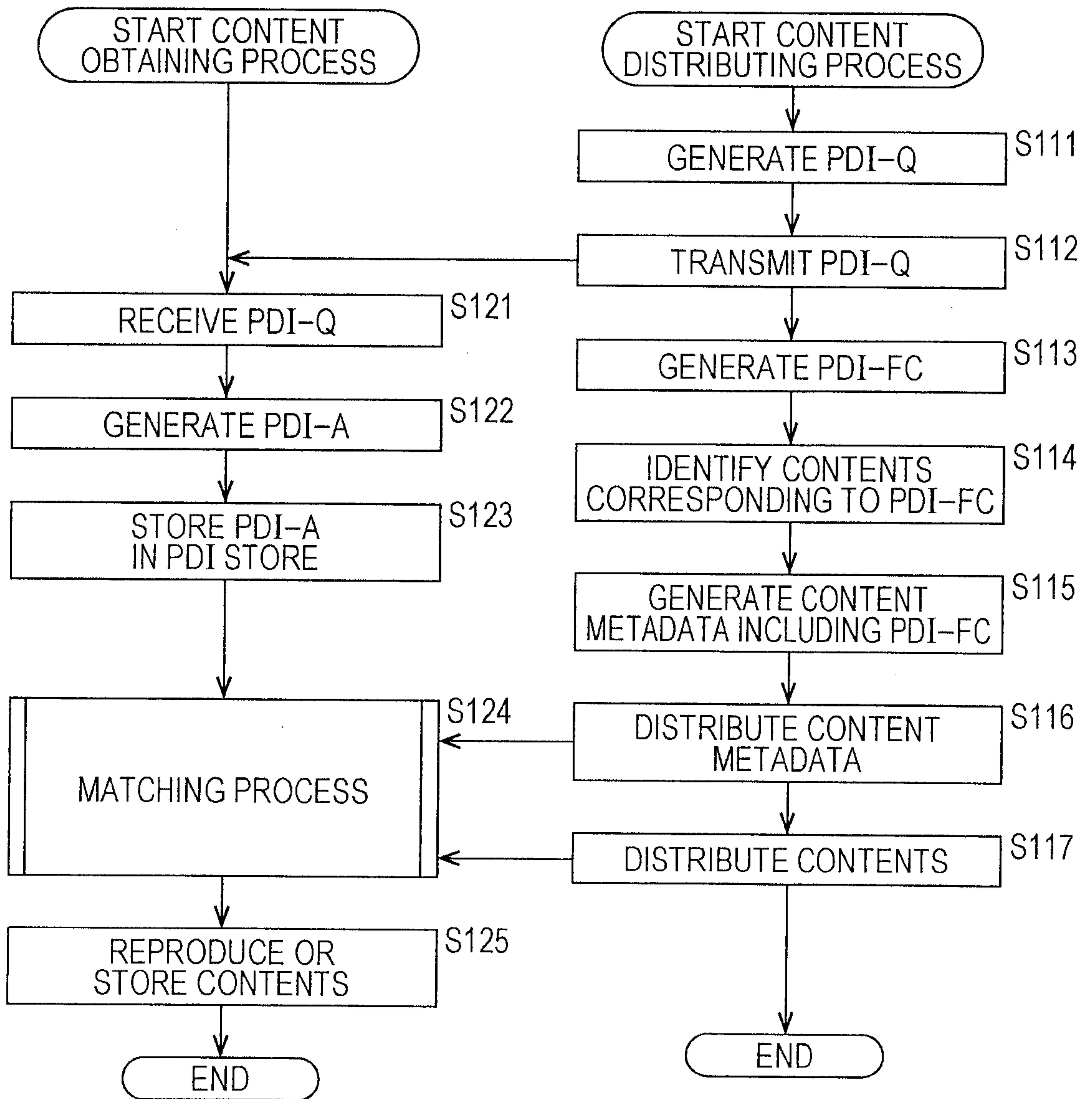
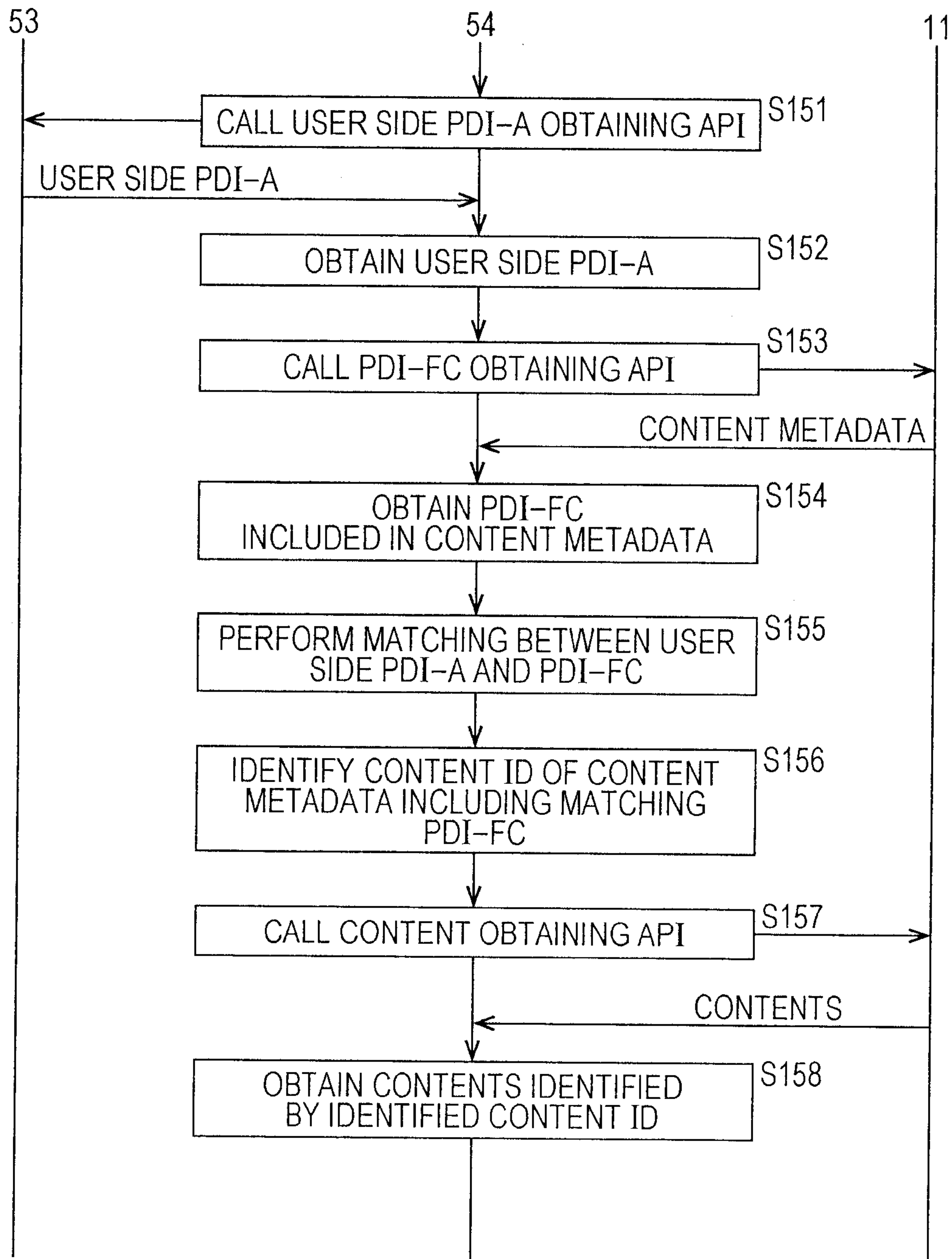


FIG. 19



20/36

FIG. 20



21/36

FIG. 21

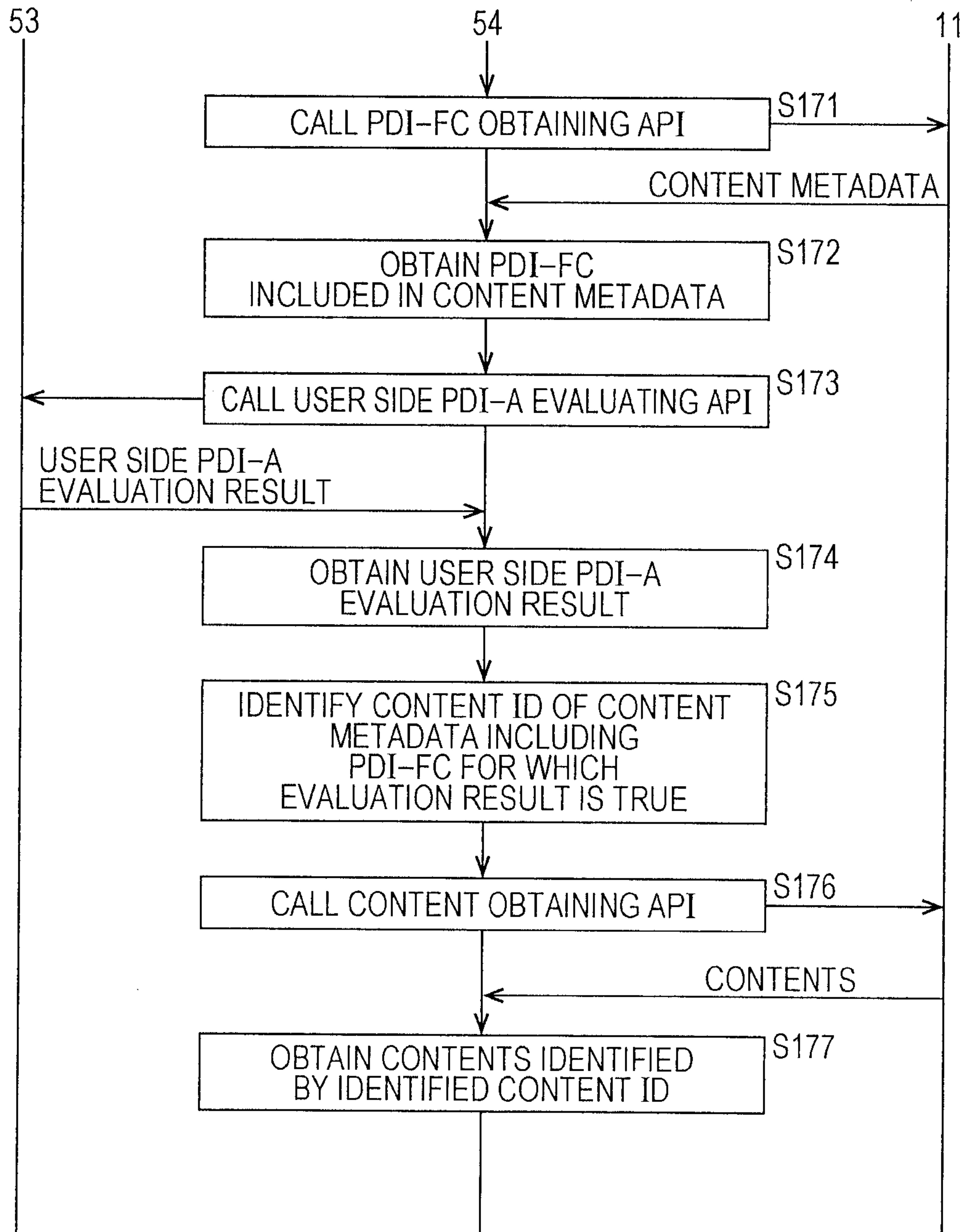


FIG. 22

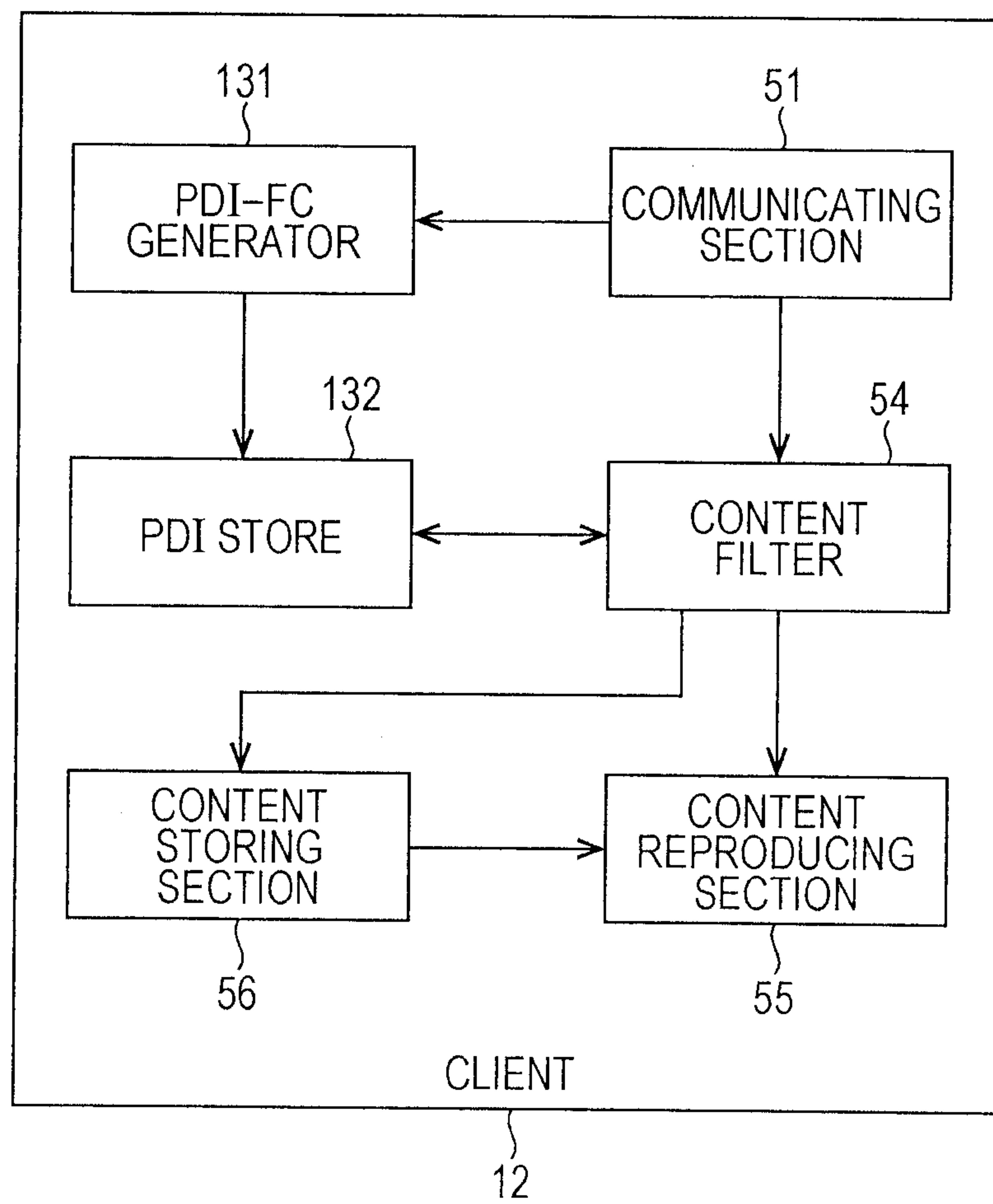
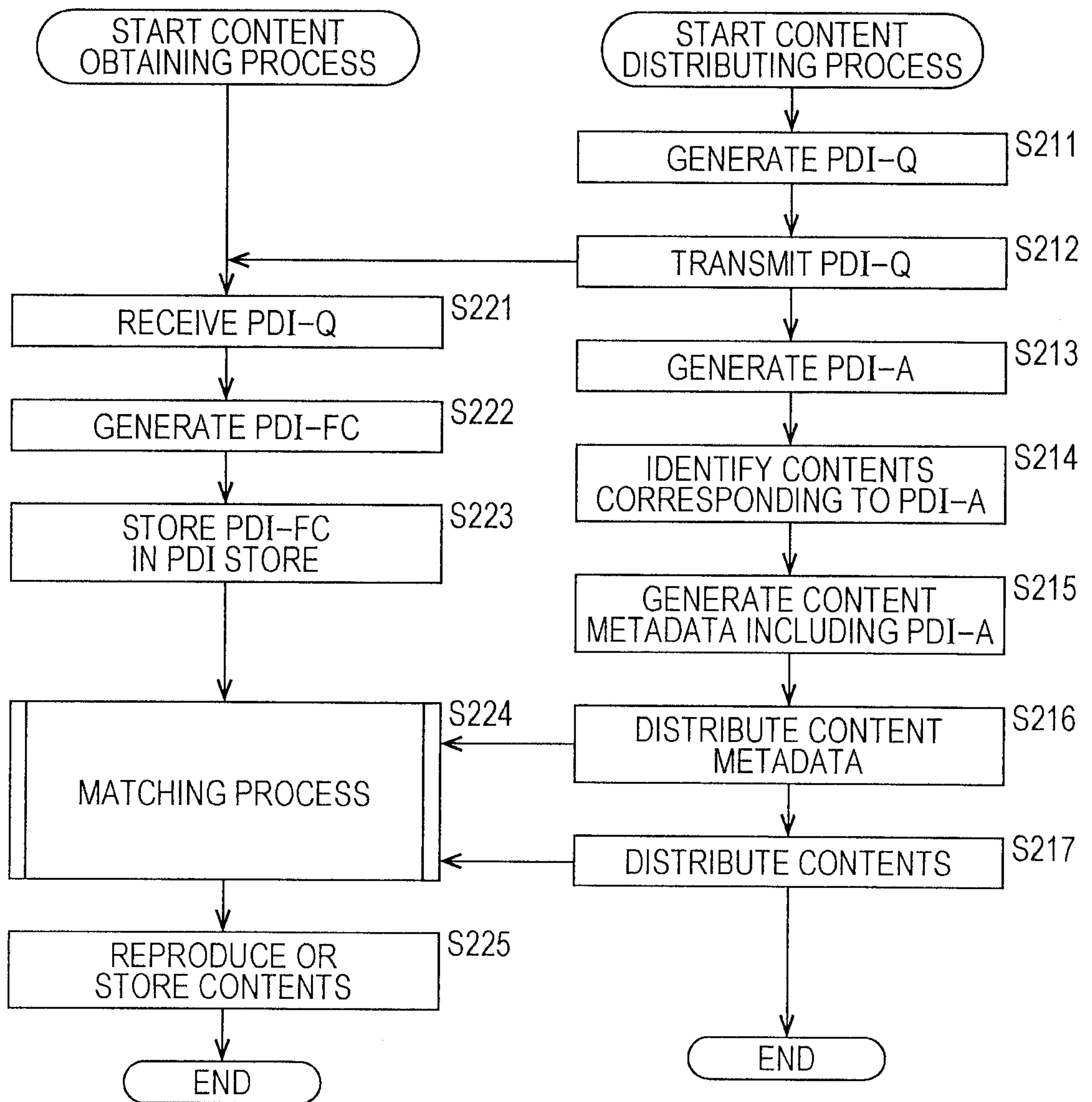
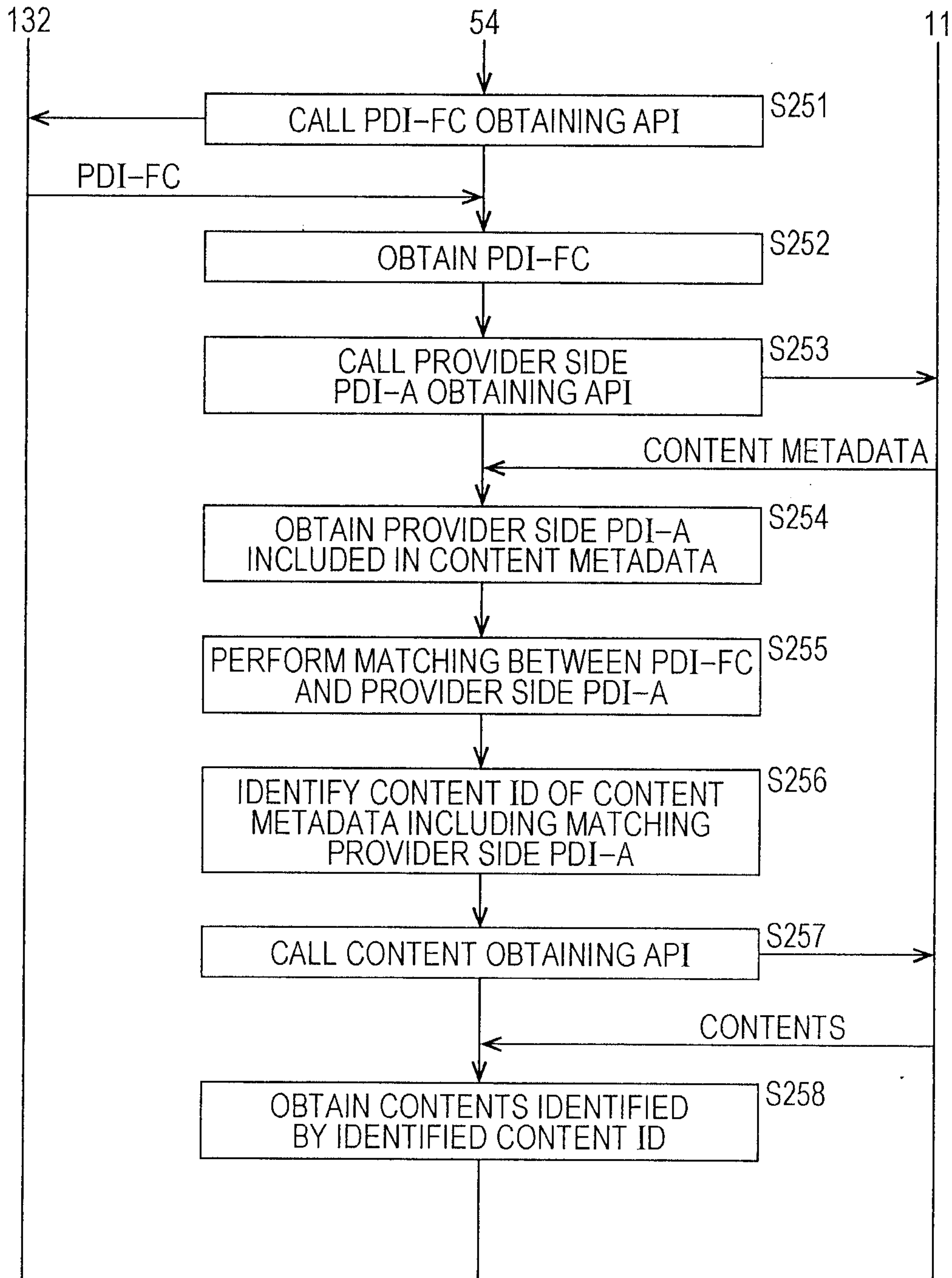


FIG. 23



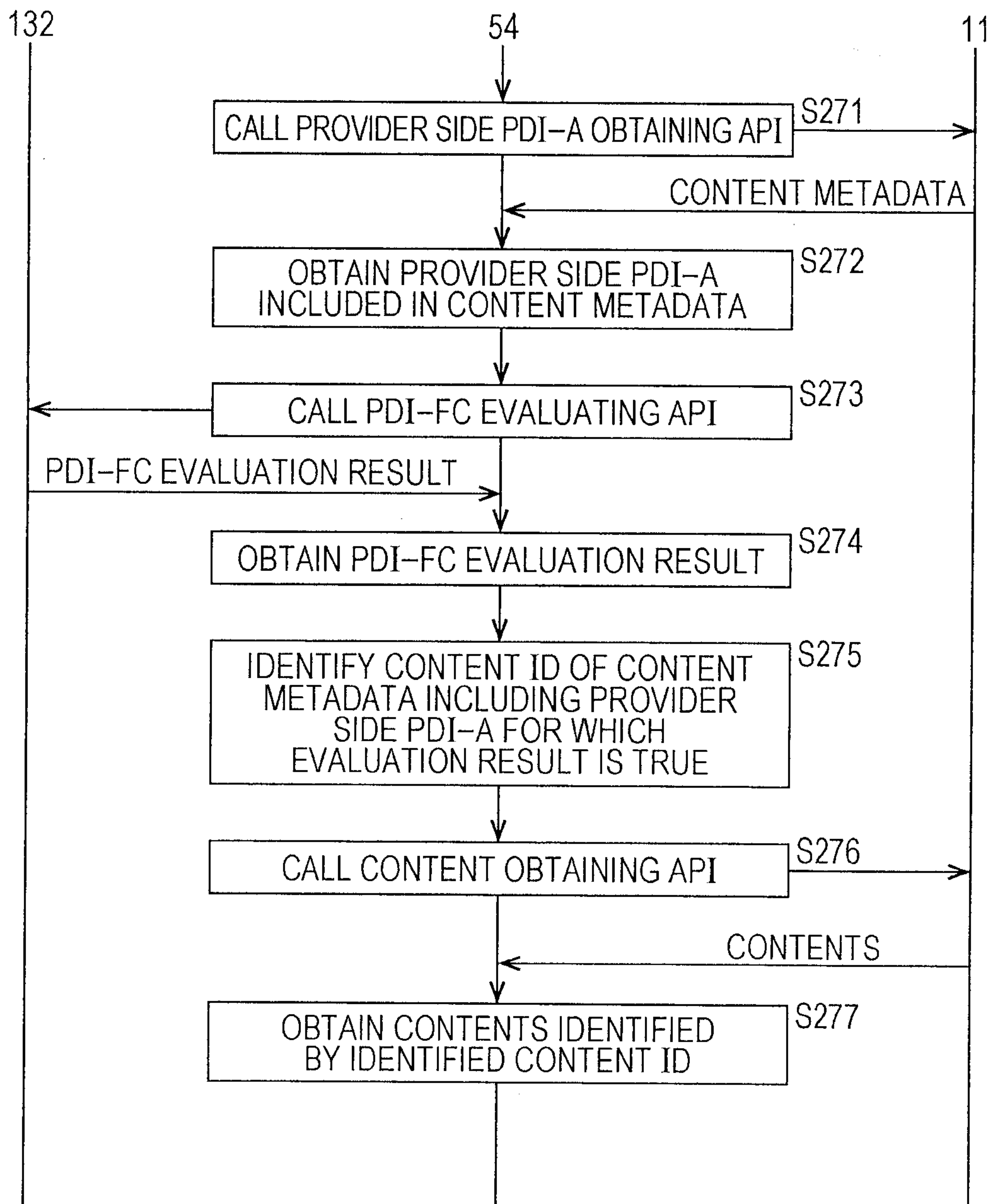
24/36

FIG. 24



25/36

FIG. 25



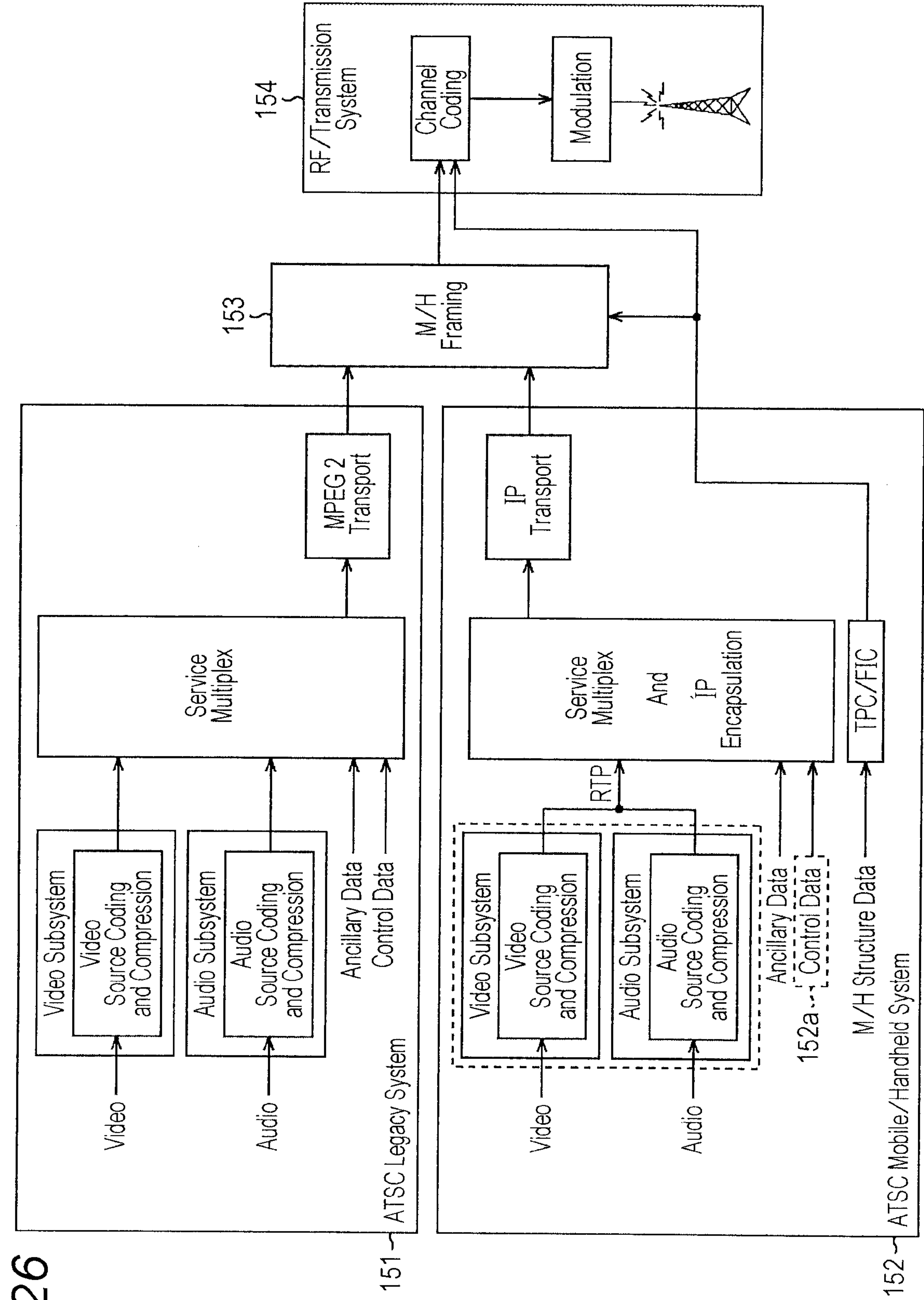


FIG. 26

151

152

FIG. 27

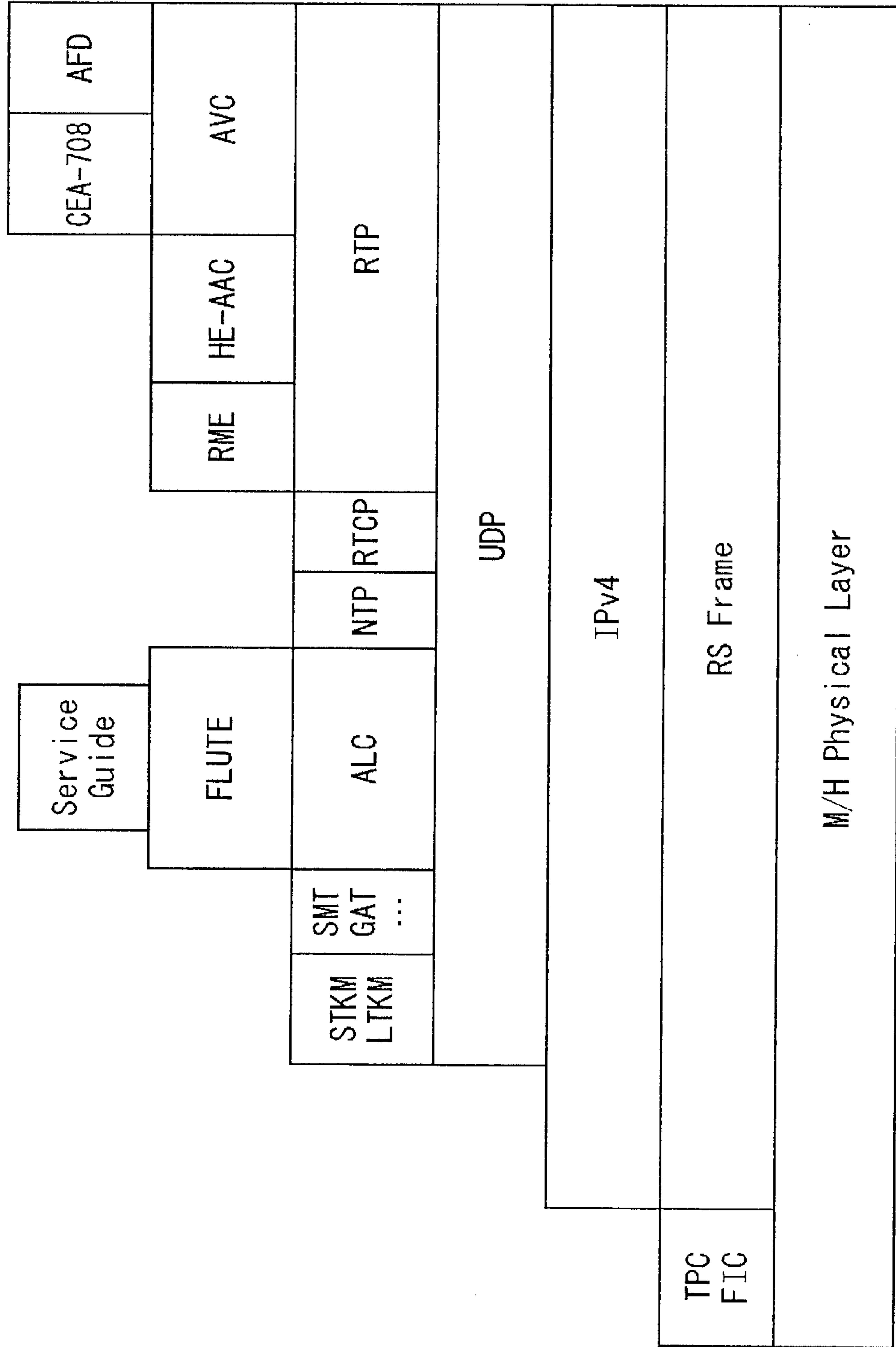
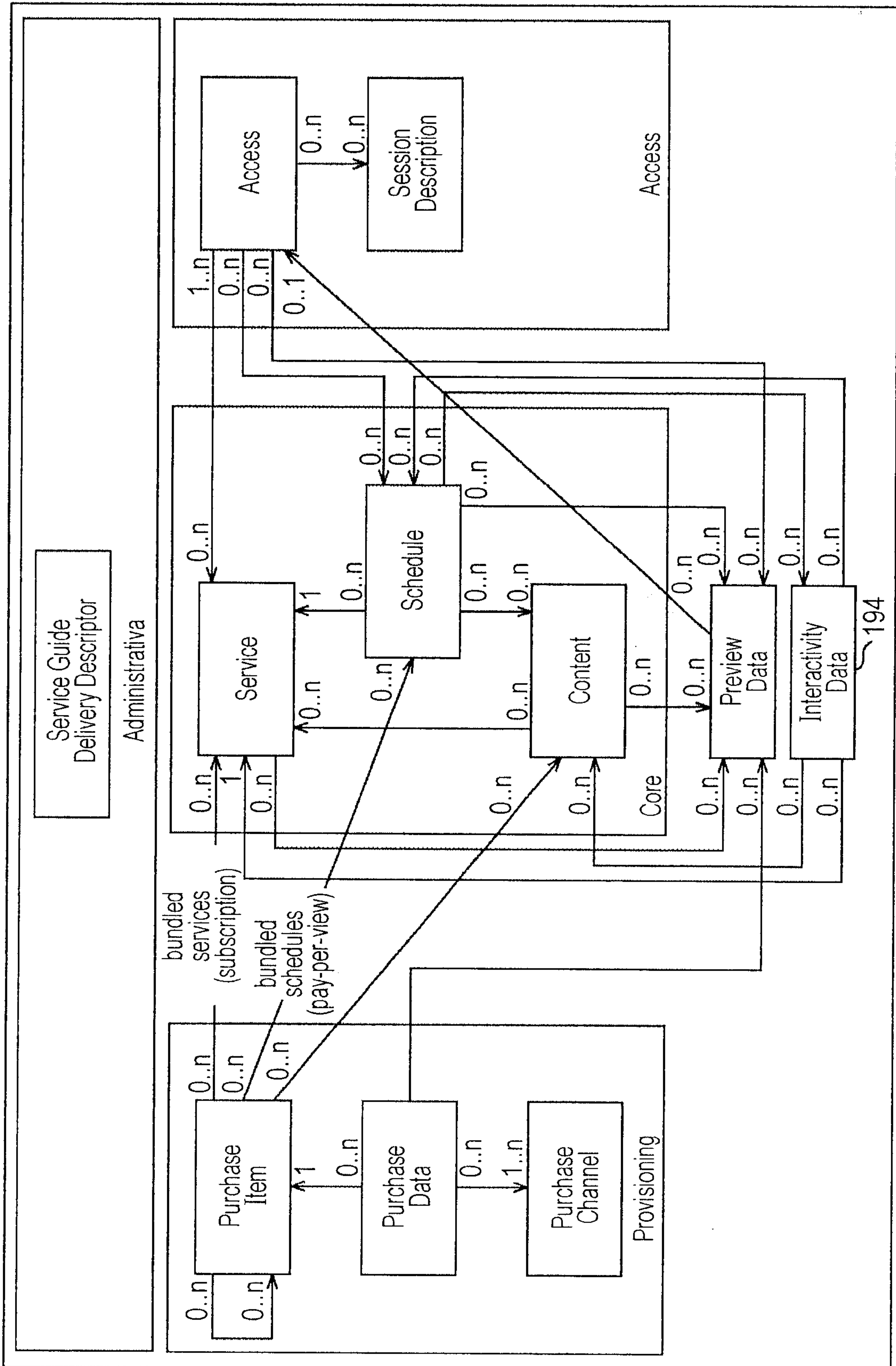


FIG. 28



29/36

FIG. 29

```
Service
  id
  version
  validFrom
  validTo
  globalServiceID
  weight
  baseCID
  ServiceType
  Name
  Description
  AudioLanguage
    languageSDPtag
  TextLanguage
    languageSDPtag
  ParentalRating
    ratingSystem
    ratingValueName
  Genre
  Extension
    url
    Description
  PreviewDataReference
    idRef
    usage
  PrivateExt
    PDI-FC
```

30/36

FIG. 30

Schedule

id

version

defaultSchedule

onDemand

validFrom

validTo

ServiceReference

idRef

ContentReference

idRef

contentLocation

PresentationWindow

startTime

endTime

PrivateExt

PDI-FC

31/36

FIG. 31

```
Content
  id
  version
  validFrom
  validTo
  globalContentID
  baseCID
  ServiceReference
    idRef
    weight
  Name
  Description
  StartTime
  EndTime
  AudioLanguage
    languageSDPtag
  TextLanguage
    languageSDPtag
  Length
  ParentalRating
    ratingSystem
    ratingValueName
  Genre
  Extension
    url
    Description
  PreviewDataReference
    idRef
    usage
  PrivateExt
    PDI-FC
```

FIG. 32

InteractivityData
InteractivityType
ServiceReference
ContentReference
ScheduleReference
InteractivityWindow
InteractiveDelivery
Extension
BackOffTiming
TermsOfUse
PrivateExt
PDI-Q

FIG. 33

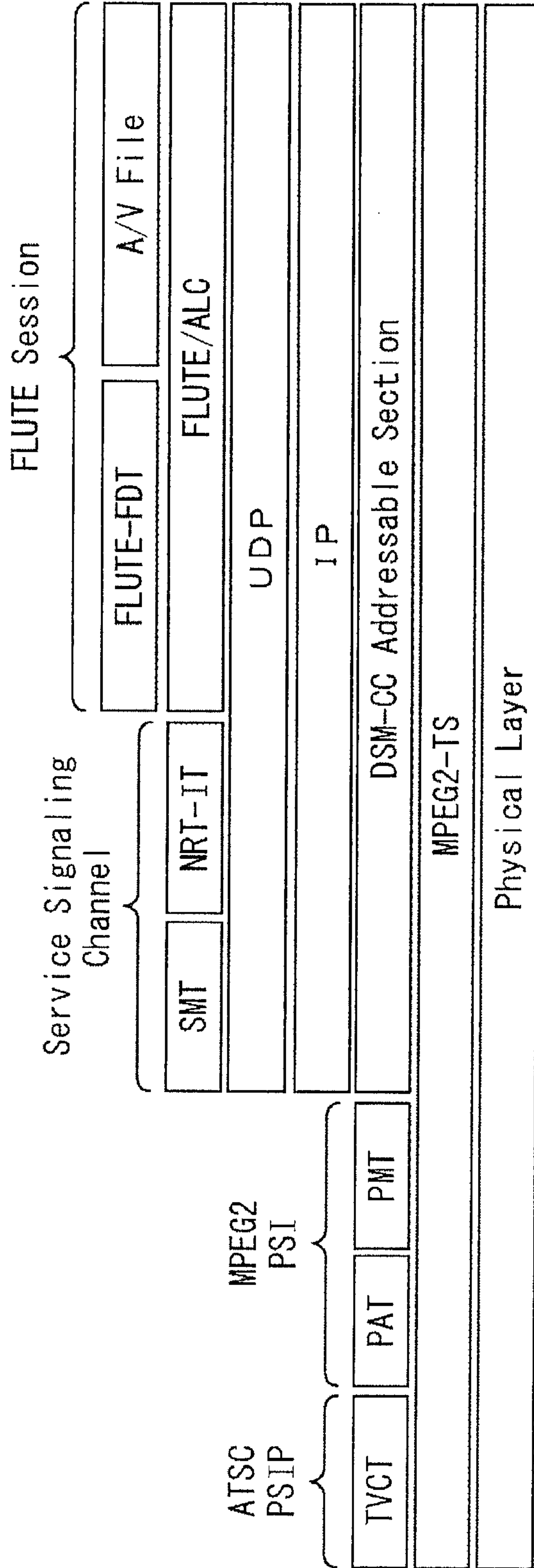


FIG. 34

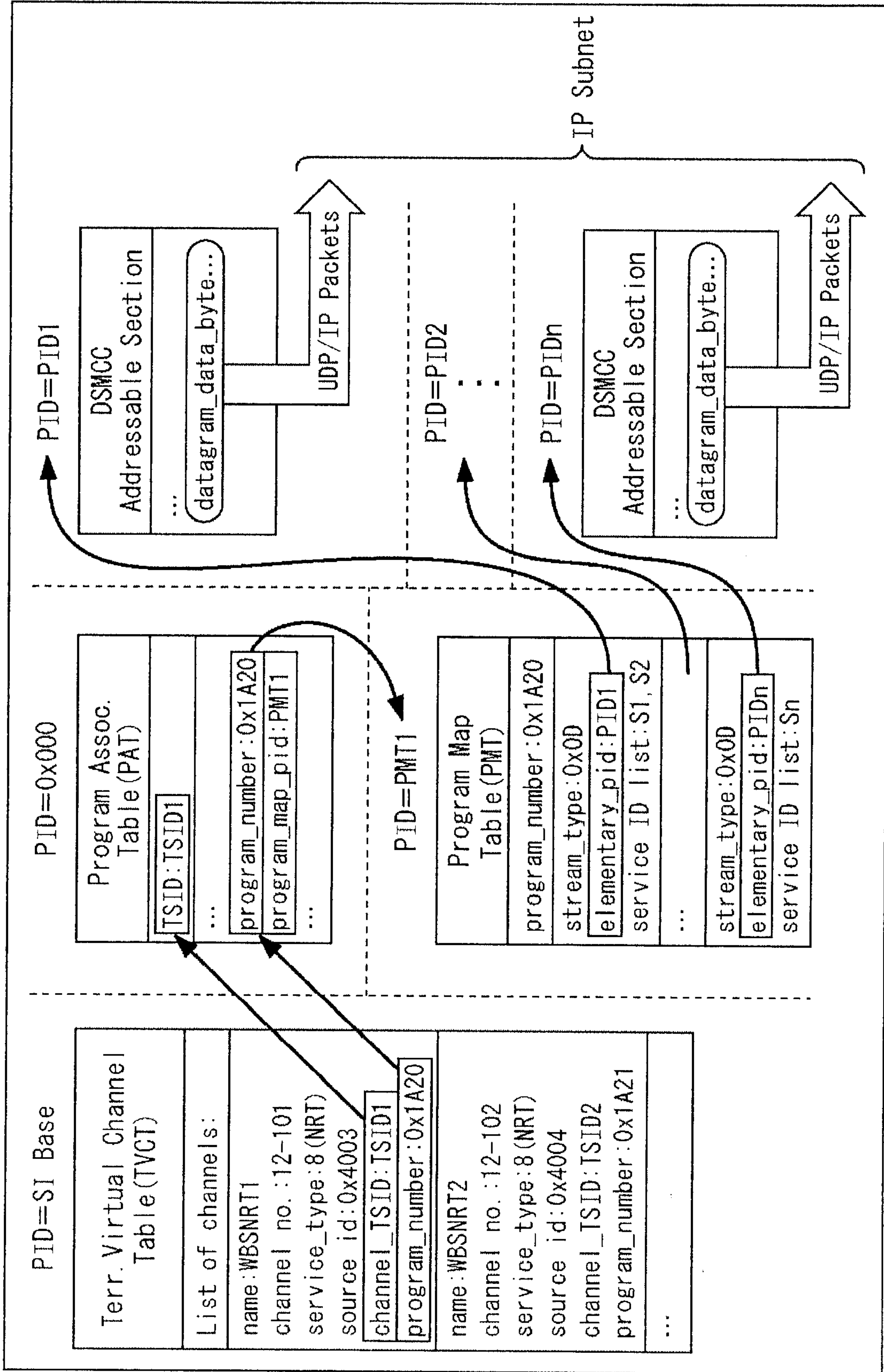
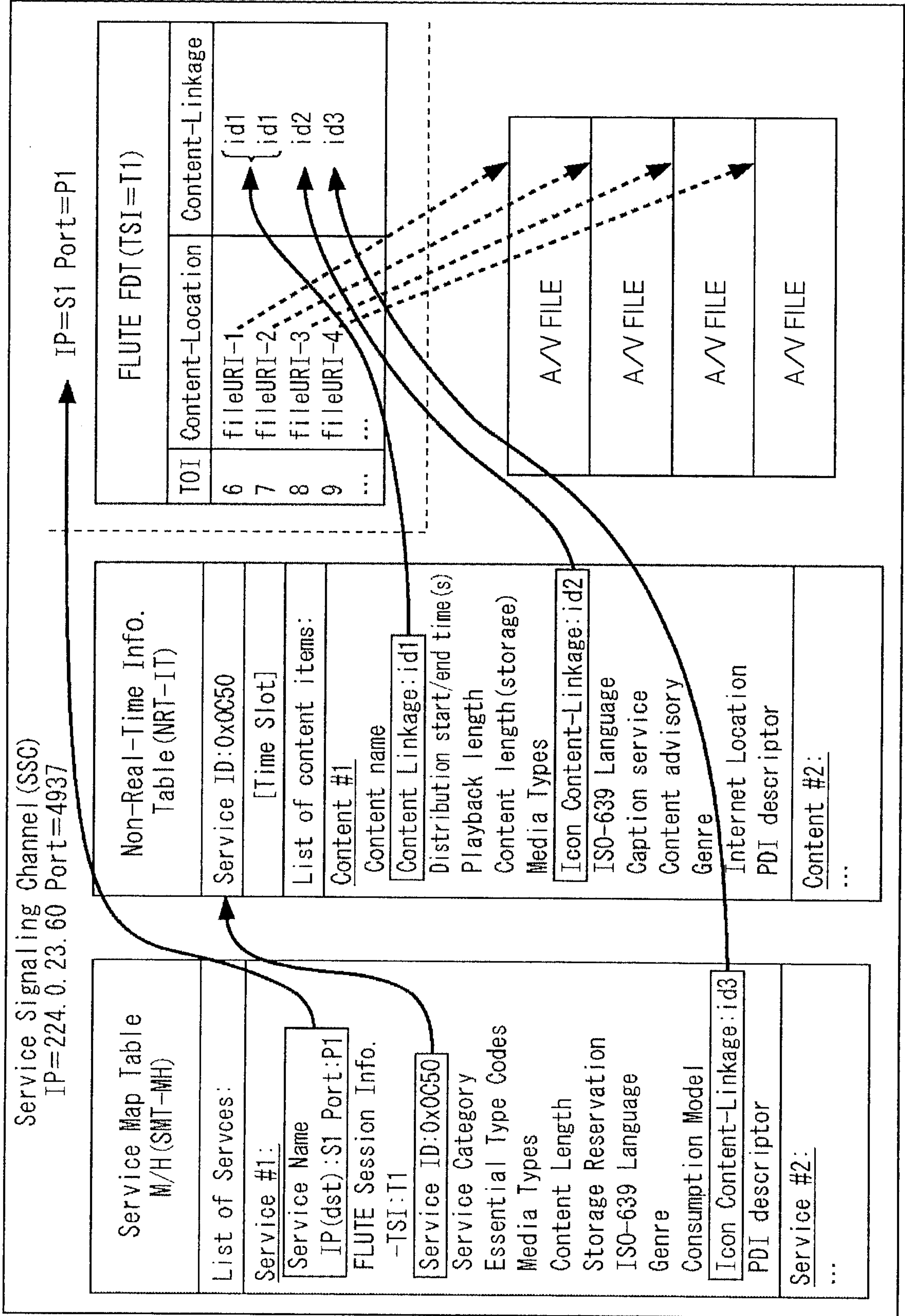


FIG. 35

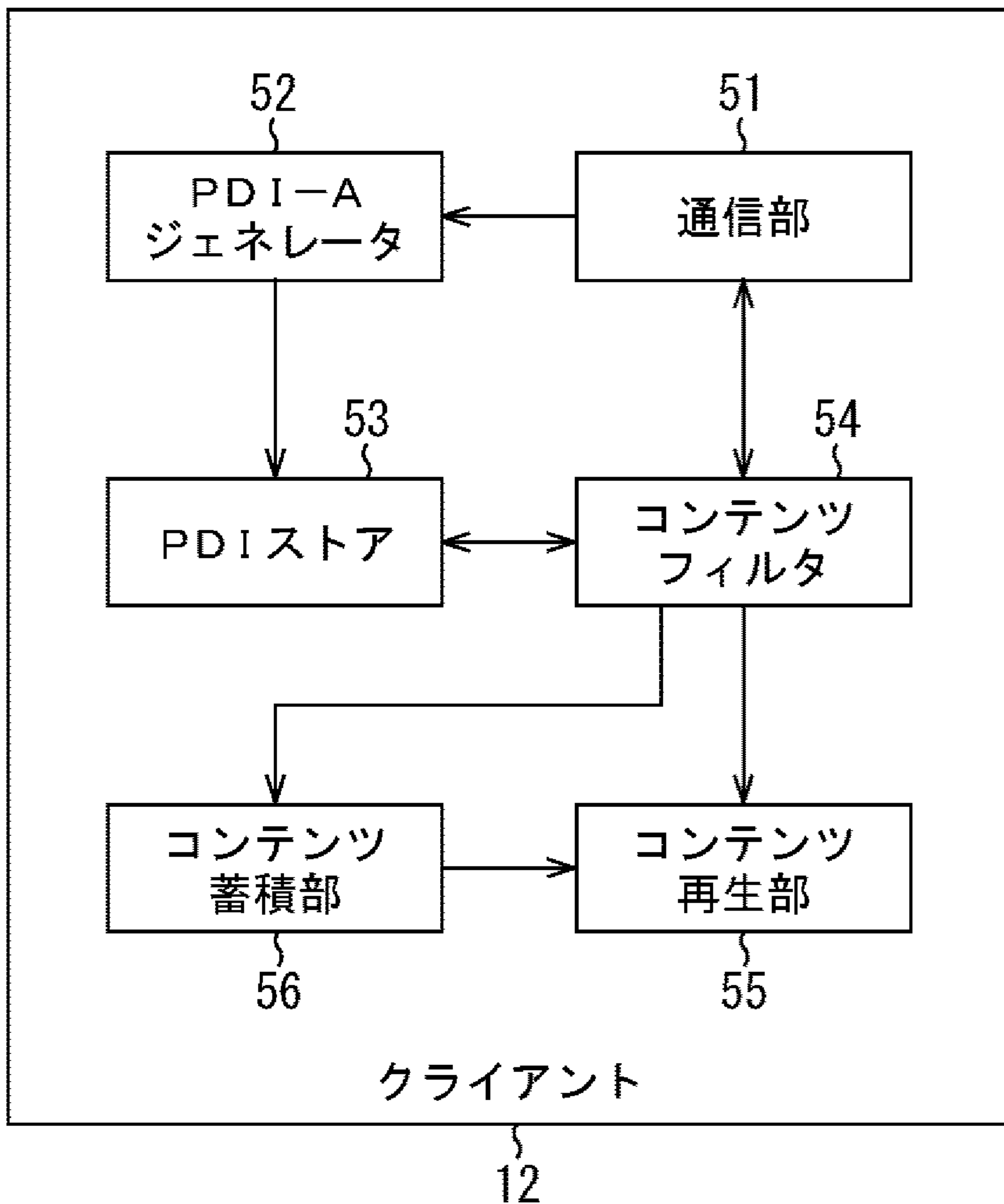


36/36

FIG. 36

Syntax	No. of bits	Format
PDI_descriptor() {		
descriptor_tag	8	0x(TBD)
descriptor_length	8	uimsbf
length	8	uimsbf
PDI_Q or PDI_A or PDI_FC	var	-
}		

図4



- 12 CLIENT
- 51 COMMUNICATION UNIT
- 52 PDI-A GENERATOR
- 53 PDI STORE
- 54 CONTENT FILTER
- 55 CONTENT REPRODUCTION UNIT
- 56 CONTENT ACCUMULATION UNIT