



- (51) **International Patent Classification:**  
*E01C 19/05* (2006.01) *E01C 19/10* (2006.01)
- (21) **International Application Number:**  
PCT/EP2012/062197
- (22) **International Filing Date:**  
25 June 2012 (25.06.2012)
- (25) **Filing Language:** English
- (26) **Publication Language:** English
- (30) **Priority Data:**  
2011/02838 28 April 2011 (28.04.2011) TR
- (71) **Applicant (for all designated States except US):** E-MAK MAKINA INSAAT TICARET VE SANAYI [TR/TR]; Yunuseli M.fuat Kuscuoglu Cad.no:75, Simge Tesisleri, Osmangazi, Bursa (TR).
- (72) **Inventor; and**
- (75) **Inventor/Applicant (for US only):** GENCER, Mehmet Nezir [TR/TR]; Yunuseli M.fuat Kuscuoglu Cad.no:75, Simge Tesisleri, Osmangazi, Bursa (TR).
- (74) **Agent:** KAYA, Erdem; Bilen Patent, Inc., Hüdavendigâr Mh. Bent Cad. No: 163/B, Osmangazi, 16090 Bursa (TR).
- (81) **Designated States (unless otherwise indicated, for every kind of national protection available):** AE, AG, AL, AM, AO, AT, AU, AZ, BA, BB, BG, BH, BR, BW, BY, BZ, CA, CH, CL, CN, CO, CR, CU, CZ, DE, DK, DM, DO, DZ, EC, EE, EG, ES, FI, GB, GD, GE, GH, GM, GT, HN,

HR, HU, ID, IL, IN, IS, JP, KE, KG, KM, KN, KP, KR, KZ, LA, LC, LK, LR, LS, LT, LU, LY, MA, MD, ME, MG, MK, MN, MW, MX, MY, MZ, NA, NG, NI, NO, NZ, OM, PE, PG, PH, PL, PT, QA, RO, RS, RU, RW, SC, SD, SE, SG, SK, SL, SM, ST, SV, SY, TH, TJ, TM, TN, TR, TT, TZ, UA, UG, US, UZ, VC, VN, ZA, ZM, ZW.

- (84) **Designated States (unless otherwise indicated, for every kind of regional protection available):** ARIPO (BW, GH, GM, KE, LR, LS, MW, MZ, NA, RW, SD, SL, SZ, TZ, UG, ZM, ZW), Eurasian (AM, AZ, BY, KG, KZ, RU, TJ, TM), European (AL, AT, BE, BG, CH, CY, CZ, DE, DK, EE, ES, FI, FR, GB, GR, HR, HU, IE, IS, IT, LT, LU, LV, MC, MK, MT, NL, NO, PL, PT, RO, RS, SE, SI, SK, SM, TR), OAPI (BF, BJ, CF, CG, CI, CM, GA, GN, GQ, GW, ML, MR, NE, SN, TD, TG).

**Published:**

- with international search report (Art. 21(3))
  - before the expiration of the time limit for amending the claims and to be republished in the event of receipt of amendments (Rule 48.2(h))
  - the filing date of the international application is within two months from the date of expiration of the priority period (Rule 26bis.3)
- (88) **Date of publication of the international search report:**  
7 February 2013

(54) **Title:** HOT ASPHALT PREPARATION SYSTEM AND METHOD FOR PRODUCING A NEW ASPHALT LAYER FROM THE ASPHALT TO BE RECYCLED

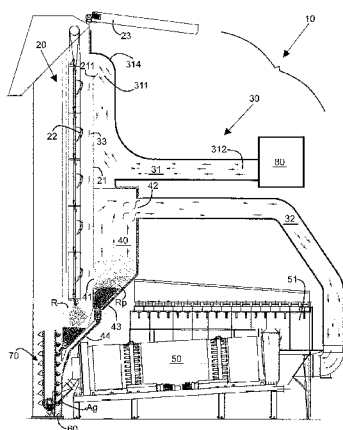


Figure 1a

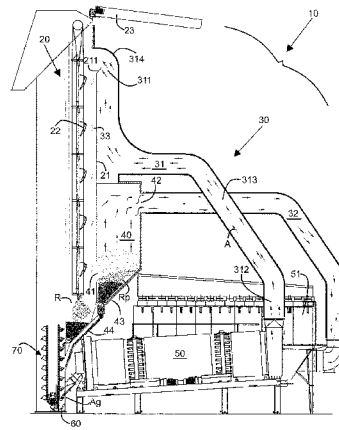


Figure 1b

(57) **Abstract:** Hot asphalt recycling system having a mixing hopper (60) where the hot aggregate, exiting the drier (50), and the RAP are mixed; a pouring hopper (20) which is opened to said mixing hopper (60) from one end thereof and from whose other end RAP is poured, in order to obtain recycled asphalt concrete which is to be used in the production of one of the asphalt layers by using RAP. Said system comprising an air inlet pipe (31) whose one end (312) is connected to the heat source (80) and whose other end (311) is opened to the pouring hopper (20) in order to transfer hot air, which is heated by a heat source (80), inside the pouring hopper (20); and at least one drying box (22) in order to provide the RAP inside the pouring hopper (20) to be poured to the mixing hopper (60) in a sequenced manner and step by step.

INTERNATIONAL SEARCH REPORT

International application No  
PCT/EP2012/062197

A. CLASSIFICATION OF SUBJECT MATTER  
INV. E01C19/05 E01C19/10  
ADD.  
According to International Patent Classification (IPC) or to both national classification and IPC

B. FIELDS SEARCHED  
Minimum documentation searched (classification system followed by classification symbols)  
E01C F26B

Documentation searched other than minimum documentation to the extent that such documents are included in the fields searched

Electronic data base consulted during the international search (name of data base and, where practicable, search terms used)  
EPO-Internal, WPI Data

C. DOCUMENTS CONSIDERED TO BE RELEVANT

Category*	Citation of document, with indication, where appropriate, of the relevant passages	Relevant to claim No.
X	WO 2011/036773 A1 (YAMASHIRO KAZUMI [JP]; PROSAP [JP]; NANBUHODO CO LTD [JP]; RYUKOSOGYO) 31 March 2011 (2011-03-31) abstract figures 1-2	1,3-9, 12-20, 22,23
X	US 4 477 250 A (BRASHEARS DAVID F [US] ET AL) 16 October 1984 (1984-10-16) abstract column 2, line 47 - column 4, line 45; figures 1-3	1,2,18, 24
A	US 3 771 947 A (COOK R) 13 November 1973 (1973-11-13) the whole document	1-24
	----- -/--	

Further documents are listed in the continuation of Box C.

See patent family annex.

\* Special categories of cited documents :

- "A" document defining the general state of the art which is not considered to be of particular relevance
- "E" earlier application or patent but published on or after the international filing date
- "L" document which may throw doubts on priority claim(s) or which is cited to establish the publication date of another citation or other special reason (as specified)
- "O" document referring to an oral disclosure, use, exhibition or other means
- "P" document published prior to the international filing date but later than the priority date claimed

"T" later document published after the international filing date or priority date and not in conflict with the application but cited to understand the principle or theory underlying the invention

"X" document of particular relevance; the claimed invention cannot be considered novel or cannot be considered to involve an inventive step when the document is taken alone

"Y" document of particular relevance; the claimed invention cannot be considered to involve an inventive step when the document is combined with one or more other such documents, such combination being obvious to a person skilled in the art

"&" document member of the same patent family

Date of the actual completion of the international search  13 November 2012	Date of mailing of the international search report  20/12/2012
Name and mailing address of the ISA/ European Patent Office, P.B. 5818 Patentlaan 2 NL - 2280 HV Rijswijk Tel. (+31-70) 340-2040, Fax: (+31-70) 340-3016	Authorized officer  Beucher, Stefan

## INTERNATIONAL SEARCH REPORT

International application No  
PCT/EP2012/062197

C(Continuation). DOCUMENTS CONSIDERED TO BE RELEVANT		
Category*	Citation of document, with indication, where appropriate, of the relevant passages	Relevant to claim No.
A	US 4 279 592 A (GRANT HERMAN L) 21 July 1981 (1981-07-21) cited in the application the whole document	1-24
X	----- JP 2005 290685 A (TANAKA IRON WORKS) 20 October 2005 (2005-10-20) cited in the application the whole document -----	1

# INTERNATIONAL SEARCH REPORT

Information on patent family members

International application No

PCT/EP2012/062197

Patent document cited in search report	Publication date	Patent family member(s)	Publication date
WO 2011036773 A1	31-03-2011	WO 2011036773 A1 WO 2011036910 A1	31-03-2011 31-03-2011
US 4477250 A	16-10-1984	EP 0181858 A1 US 4477250 A WO 8505439 A1	28-05-1986 16-10-1984 05-12-1985
US 3771947 A	13-11-1973	IT 977343 B US 3771947 A	10-09-1974 13-11-1973
US 4279592 A	21-07-1981	NONE	
JP 2005290685 A	20-10-2005	JP 4238168 B2 JP 2005290685 A	11-03-2009 20-10-2005