



US00D833575S

(12) **United States Design Patent**
Soulier et al.

(10) **Patent No.:** **US D833,575 S**

(45) **Date of Patent:** **** Nov. 13, 2018**

(54) **HAND SHOWER**

(71) Applicant: **Kohler Co.**, Kohler, WI (US)

(72) Inventors: **Jean-Hugues Soulier**, Paris (FR);
Ferran Serra Sola, Paris (FR); **Anaël Tasserit**, Trigny (FR); **Antony Desanlis**, Amifontaine (FR)

(73) Assignee: **KOHLER CO.**, Kohler, WI (US)

(**) Term: **15 Years**

(21) Appl. No.: **29/617,307**

(22) Filed: **Sep. 13, 2017**

(51) **LOC (11) Cl.** **23-01**

(52) **U.S. Cl.**
USPC **D23/223**

(58) **Field of Classification Search**
USPC D23/213, 229, 230, 223, 226; 4/605, 4/617, 615
CPC .. B05B 1/00; B05B 1/005; B05B 1/08; B05B 1/18; A61H 9/0021; E03C 1/06
See application file for complete search history.

(56) **References Cited**

U.S. PATENT DOCUMENTS

D501,243 S 1/2005 Blomstrom
D509,282 S 9/2005 Blomstrom
D522,612 S 6/2006 Eilmus et al.

D590,913 S 4/2009 Smith et al.
D652,892 S * 1/2012 Obara D23/213
D712,510 S 9/2014 Barry
D737,929 S 9/2015 Rexach et al.
D737,930 S 9/2015 Rexach et al.

* cited by examiner

Primary Examiner — Robin V Webster

(74) *Attorney, Agent, or Firm* — Foley & Lardner LLP

(57) **CLAIM**

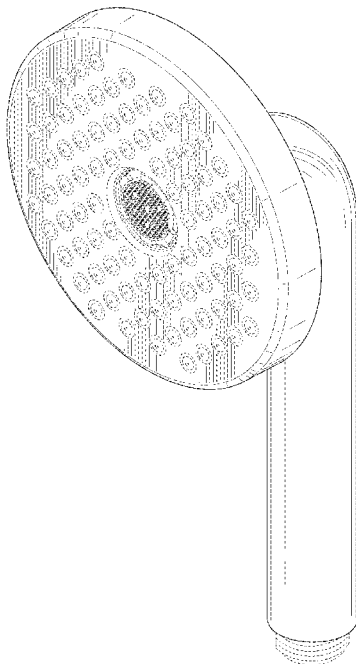
We claim the ornamental design for a hand shower, as shown and described.

DESCRIPTION

FIG. 1 is a top, front, right, perspective view according to an embodiment of the claimed design;
FIG. 2 is a top, rear, right, perspective view thereof;
FIG. 3 is a front elevation view thereof;
FIG. 4 is a rear elevation view thereof;
FIG. 5 is a right side elevation view thereof;
FIG. 6 is a left side elevation view thereof;
FIG. 7 is a top plan view thereof; and,
FIG. 8 is a bottom plan view thereof.

The ornamental design which is claimed is shown in solid lines in the drawings. The broken lines in the drawings are for illustrative purposes only and form no part of the claimed design. Broken lines formed by equal length dashes show unclaimed subject matter. Cross-hatching provided on cut surfaces is for illustrative purposes only and forms no part of the claimed design.

1 Claim, 7 Drawing Sheets



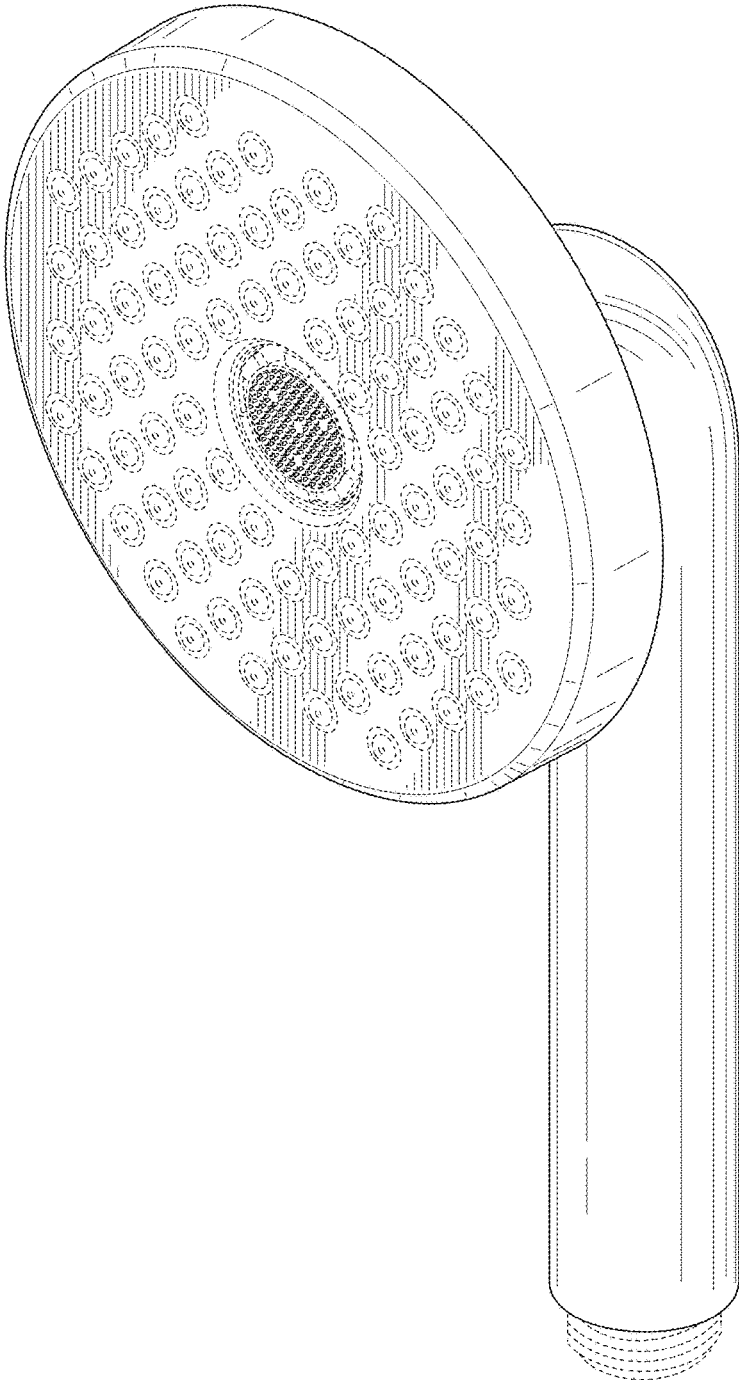


FIG. 1

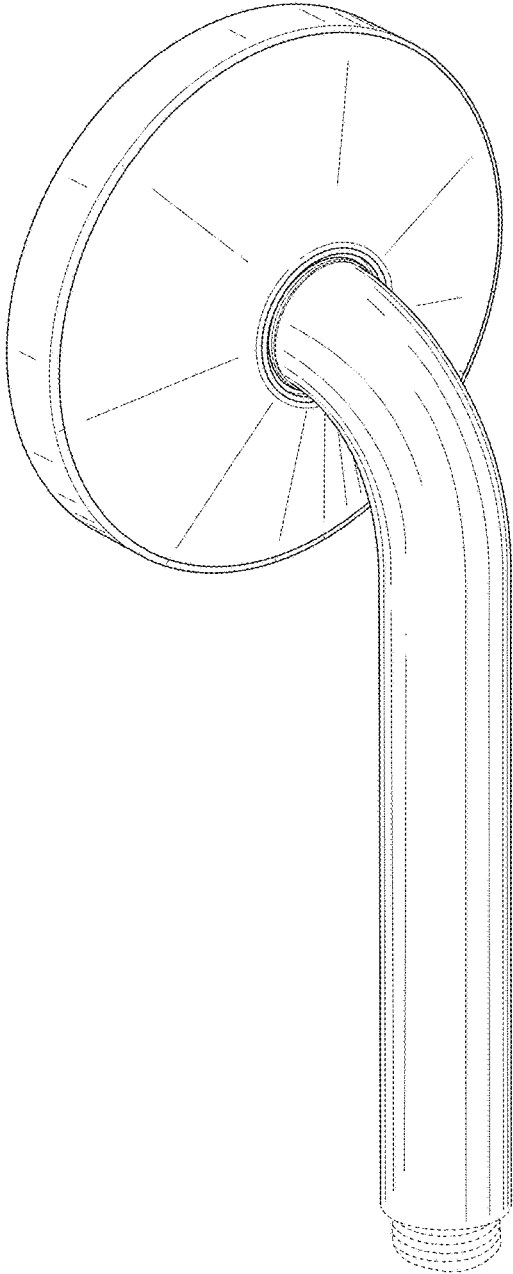


FIG. 2

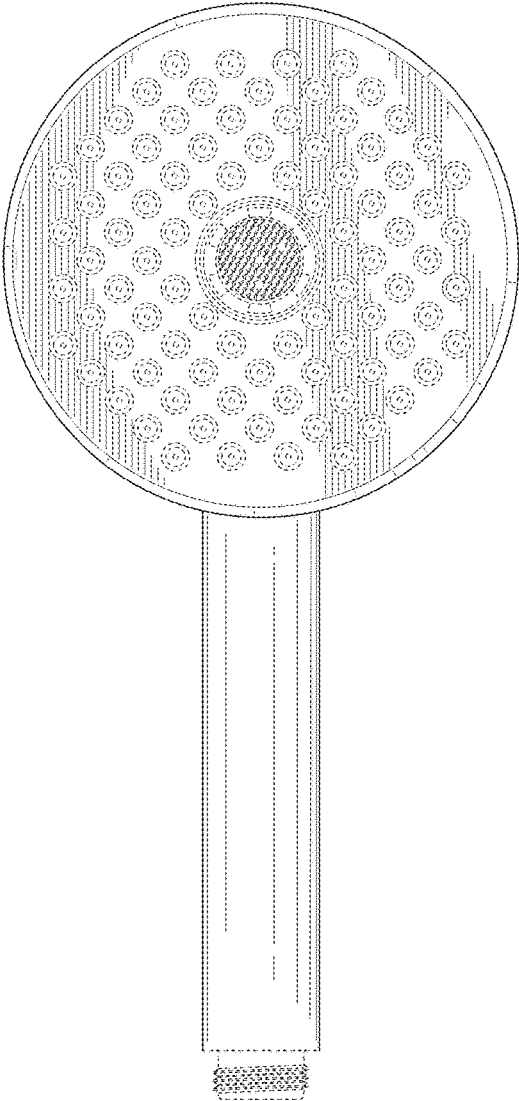


FIG. 3

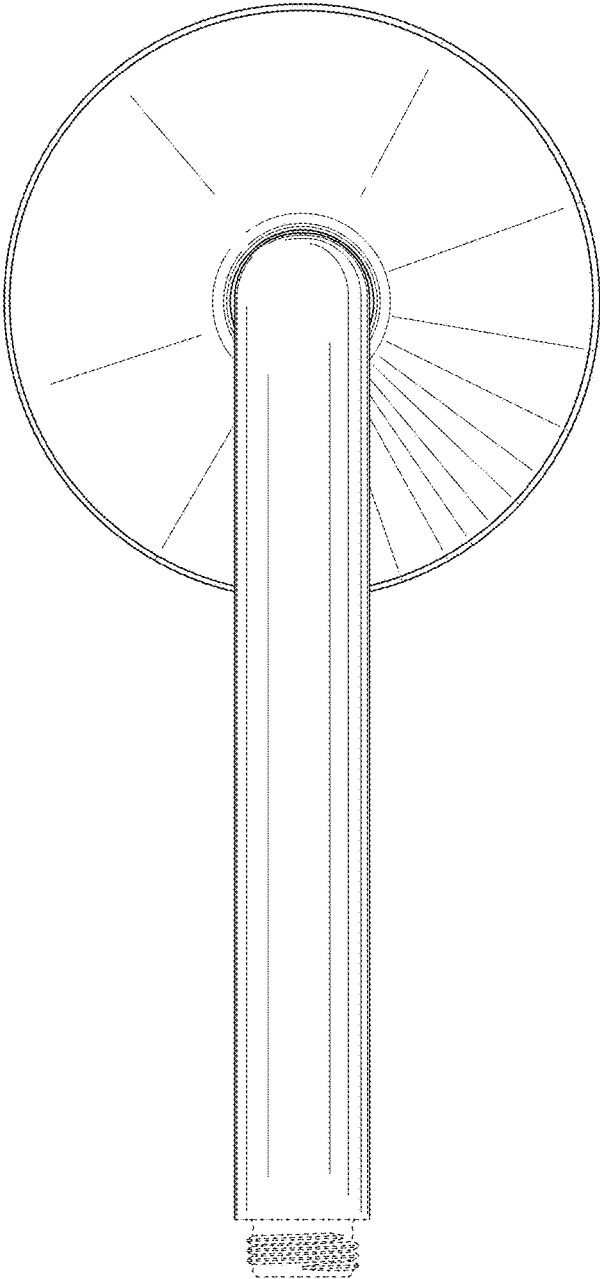


FIG. 4

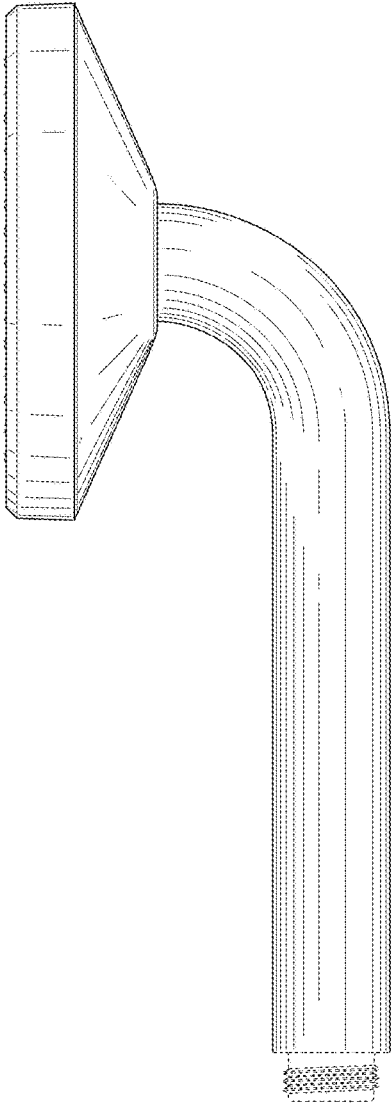


FIG. 5

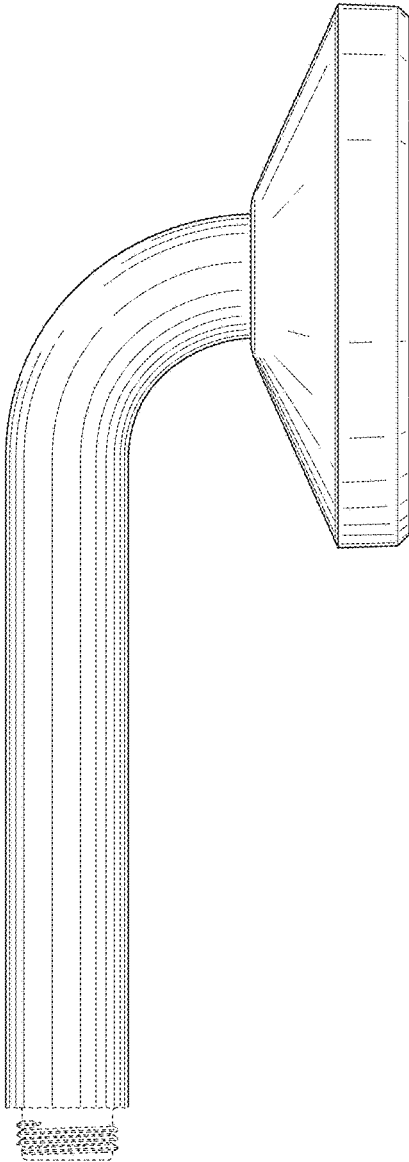


FIG. 6

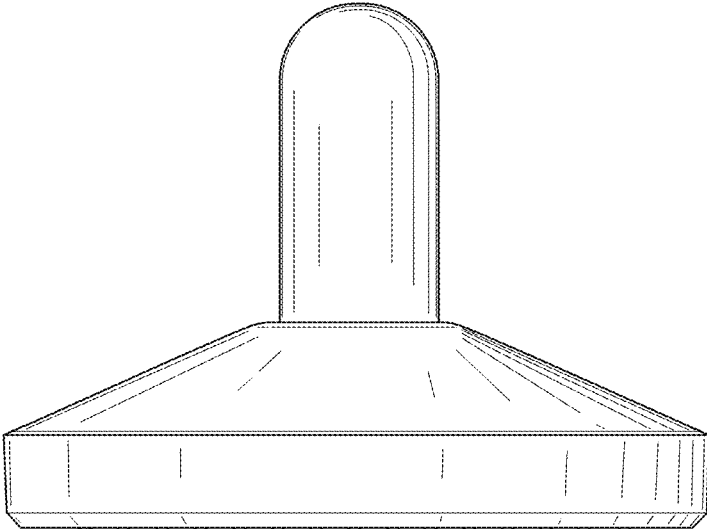


FIG. 7

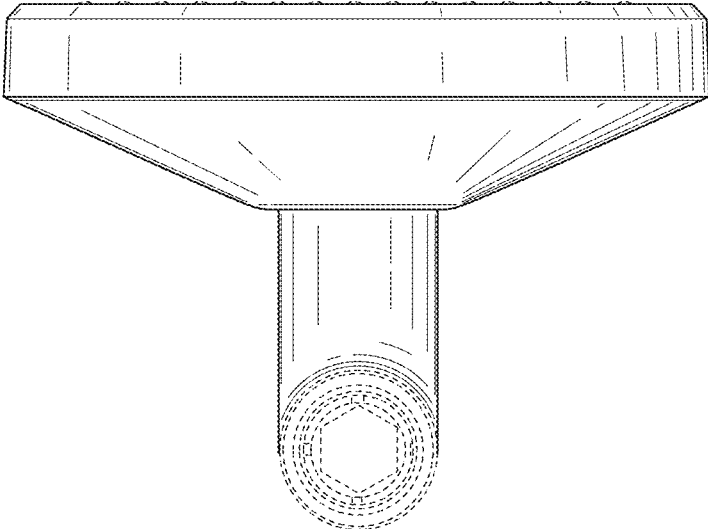


FIG. 8