

(19) World Intellectual Property Organization  
International Bureau



(43) International Publication Date  
4 August 2011 (04.08.2011)

PCT

(10) International Publication Number  
**WO 2011/094027 A1**

(51) International Patent Classification:  
C12N 1/12 (2006.01)

(21) International Application Number:  
PCT/US2011/000184

(22) International Filing Date:  
1 February 2011 (01.02.2011)

(25) Filing Language: English

(26) Publication Language: English

(30) Priority Data:  
61/337,283 1 February 2010 (01.02.2010) US  
61/351,184 3 June 2010 (03.06.2010) US

(72) Inventor; and

(71) Applicant : HLAVKA, Edwin J. [US/US]; 2312 Oliver Ave S., Minneapolis, Minnesota 55405 (US).

(74) Agents: MADDEN, Robert B., Reg No. 57,521 et al.; P.O. Box 2938, Minneapolis, Minnesota 55402 (US).

(81) Designated States (unless otherwise indicated, for every kind of national protection available): AE, AG, AL, AM,

AO, AT, AU, AZ, BA, BB, BG, BH, BR, BW, BY, BZ, CA, CH, CL, CN, CO, CR, CU, CZ, DE, DK, DM, DO, DZ, EC, EE, EG, ES, FI, GB, GD, GE, GH, GM, GT, HN, HR, HU, ID, IL, IN, IS, JP, KE, KG, KM, KN, KP, KR, KZ, LA, LC, LK, LR, LS, LT, LU, LY, MA, MD, ME, MG, MK, MN, MW, MX, MY, MZ, NA, NG, NI, NO, NZ, OM, PE, PG, PH, PL, PT, RO, RS, RU, SC, SD, SE, SG, SK, SL, SM, ST, SV, SY, TH, TJ, TM, TN, TR, TT, TZ, UA, UG, US, UZ, VC, VN, ZA, ZM, ZW.

(84) Designated States (unless otherwise indicated, for every kind of regional protection available): ARIPO (BW, GH, GM, KE, LR, LS, MW, MZ, NA, SD, SL, SZ, TZ, UG, ZM, ZW), Eurasian (AM, AZ, BY, KG, KZ, MD, RU, TJ, TM), European (AL, AT, BE, BG, CH, CY, CZ, DE, DK, EE, ES, FI, FR, GB, GR, HR, HU, IE, IS, IT, LT, LU, LV, MC, MK, MT, NL, NO, PL, PT, RO, RS, SE, SI, SK, SM, TR), OAPI (BF, BJ, CF, CG, CI, CM, GA, GN, GQ, GW, ML, MR, NE, SN, TD, TG).

Published:

— with international search report (Art. 21(3))



WO 2011/094027 A1

(54) Title: BACTERIOTHERAPY FOR CLOSTRIDIUM DIFFICILE COLITIS

(57) Abstract: This document discusses, among other things, receiving a plurality of donor fecal samples from a plurality of donors and storing and indexing each respective donor fecal samples using at least one characteristic of the respective donor fecal sample. In an example, the donor fecal sample can be screened and processed for subsequent use in fecal bacteriotherapy to displace pathogenic or undesired organisms in the digestive track of a patient with healthy or desirable gut microbiota.

## BACTERIOTHERAPY FOR CLOSTRIDIUM DIFFICILE COLITIS

5

### CLAIM OF PRIORITY

This application claims the benefit of priority under 35 U.S.C. § 119(e) to Hlavka U.S. Provisional Patent Application Serial Number 61/337,283, entitled  
10 “BACERIOTHERAPY FOR CLOSTRIDIUM DIFFICILE COLITIS,” filed on February 1, 2010, and to Hlavka U.S. Provisional Patent Application Serial Number 61/351,184, entitled “BACERIOTHERAPY FOR CLOSTRIDIUM DIFFICILE COLITIS,” filed on June 3, 2010, each of which is hereby incorporated by reference in its entirety.

15

### BACKGROUND

Between 300 and 1000 different species of bacteria reside in a healthy gastrointestinal (GI) tract. Clostridia are anaerobic, spore-forming bacteria. Certain species of clostridium are pathogens, producing toxins that can be harmful to  
20 humans. Clostridium difficile (“C. diff”) is one species of clostridium that, if overpopulated in the GI tract, can release toxins that can cause a number of symptoms, including bloating, constipation, diarrhea, inflammation, abdominal pain, among others that, in certain cases, can lead to death.

When stressed, clostridium difficile create spores that can tolerate extreme  
25 conditions many active bacteria cannot. Generally, clostridia do not compete well in a healthy GI tract. However, antibiotics can disrupt the normal intestinal flora, leading to an overgrowth of clostridium difficile. In certain examples, the clostridium difficile spores can be resistant to various antibiotics. Thus, as the normal intestinal flora is cleared, the clostridium difficile spores remain, leading to a  
30 large population of clostridium difficile.

3365.001WO1

## OVERVIEW

This document discusses, among other things, receiving a plurality of donor fecal samples from a plurality of donors and storing and indexing each respective donor fecal samples using at least one characteristic of the respective donor fecal sample. In an example, the donor fecal sample can be screened and processed for subsequent use in fecal bacteriotherapy to displace pathogenic or undesired organisms in the digestive track of a patient with healthy or desirable gut microbiota.

This overview is intended to provide an overview of subject matter of the present patent application. It is not intended to provide an exclusive or exhaustive explanation of the invention. The detailed description is included to provide further information about the present patent application.

## BRIEF DESCRIPTION OF THE DRAWINGS

In the drawings, which are not necessarily drawn to scale, like numerals may describe similar components in different views. Like numerals having different letter suffixes may represent different instances of similar components. The drawings illustrate generally, by way of example, but not by way of limitation, various embodiments discussed in the present document.

FIG. 1 illustrates generally an example of a Treatment Model including a 5 day fecal bacteriotherapy treatment cycle.

FIG. 2 illustrates generally an example of a bacteriotherapy bank configured to store one or more processed and screened donor fecal samples.

FIG. 3 illustrates generally an example of a method of receiving and storing donor fecal samples.

FIG. 4 illustrates generally an example of a method of receiving, storing, and indexing donor fecal samples.

3365.001WO1

## DETAILED DESCRIPTION

Each individual has a personalized gut microbiota including an estimated 500 to 5000 or more species of bacteria, fungi, archaea and other microorganisms, up to 100 trillion individual organisms, that reside in the digestive tract, providing a host of useful symbiotic functions, including aiding in digestion, providing nutrition for the colon, producing vitamins, stimulating the immune system, assisting in defense against exogenous bacteria, modulating energy metabolism, etc. However, an improperly balanced or functioning gut microbiota may play a role in certain diseases or afflictions, such as pseudomembranous colitis, clostridium difficile colitis, antibiotic-associated diarrhea (AAD), ulcerative colitis (UC), pouchitis, irritable bowel syndrome (IBS), obesity, among others.

Accordingly, the present inventor has recognized, among other things, systems and methods for providing bacteriotherapy to treat afflictions associated with the gut microbiota, including clostridium difficile colitis, by displacing pathogenic organisms in the digestive track of a patient with healthy bacterial flora, or bacterial flora intended to benefit a specific individual with an affliction associated with the gut microbiota. In an example, the systems and methods described herein can provide a convenient, hygienic mechanism, capable of meshing with existing capabilities and routines of existing clinics and hospitals, for providing bacteriotherapy to a patient. In certain examples, similar treatment can be effective for patients with other diseases, such as IBS, Crohn's, ulcer, or other gastrointestinal or digestive tract related disease. In other examples, bacteriotherapy can be used to aid in weight loss, displacing ineffective flora in the gut with a more effective microbiota.

For example, estimates of clostridium difficile overpopulation incidence vary from 1.5 to 2.7 million occurrences in the United States per year, and are growing. In one estimate, hospital discharges with clostridium difficile doubled from 2001 to 2005, with an estimated 5% to 25% compound annual growth rate. Current estimates indicate that patients affected by clostridium difficile

3365.001WO1

overpopulation experience increased hospital stays from 3 to 36 days, with nearly 20% of affected patients being readmitted within 180 days, each more likely to be discharged to long-term care facilities than patients not affected. The financial impact of clostridium difficile is estimated at \$1 to \$3 billion annually. Moreover, 5 an estimated 300 patient deaths per day are attributable to clostridium difficile overpopulation, a mortality rate of 1 to 7.7%, and increasing.

Traditional treatment for clostridium difficile typically includes application of antibiotics. Metronidazole (“Flagyl®”) is the antibiotic of choice due to low price and high efficacy. However, for recurring cases (up to 20% of total cases, for 10 example, resistant to metronidazole), pregnant patients, or patients younger than 10 years of age, vancomycin (“Vancocin®”) is typically used. However, vancomycin, although typically having fewer side effects than metronidazole, has a much higher cost and may lead to resistance of existing clostridium difficile to further antibiotics.

15 At first occurrence, antibiotic treatment for clostridium difficile can be acutely effective to treat diarrhea within 2 to 4 days at a rate approximately at or above 90%. However, clostridium difficile typically recurs after the first occurrence (e.g., several days to 12 weeks after cessation of antibiotics) at an estimated 20% rate (e.g., 15%-30%). However, for each recurrence following the first recurrence, 20 the rate increases greatly, to an estimated 40% rate following the second recurrence, and to greater than an estimated 60% rate or greater thereafter. It is estimated that approximately 5% of patients have 6 or more recurrences.

Treatment for clostridium difficile typically varies after each occurrence. For example, for first mild to moderate recurrence, metronidazole can be 25 administered orally (e.g., at a dose of 500 mg, three times daily (“TID”) for 10 to 14 days). For a second recurrence, vancomycin can be administered orally in tapered or pulsed doses (e.g., at a dose of 125 mg, four times daily (“QID”) for 14 days; at a dose of 125 mg, twice daily (“BID”) for 7 days; at a dose of 125 mg, once daily (“QD”) for 7 days; at a dose of 125 mg, once every 2 days for 8 days (four doses); at

3365.001WO1

a dose of 125 mg, once every 3 days for 15 days (five doses), etc.). For a third recurrence, vancomycin can be applied at greater doses (e.g., at a dose of 125 mg, four times daily (“QID”) for 14 days), combined with any of the other options for recurrent infection, such as intravenous immunoglobulin (e.g., at a dose of 400 mg  
5 per kg body weight, once every three weeks, for a total of two or three doses depending on effect), or rifamycin following the vancomycin doses (e.g., the rifamycin at a dose of 400 mg, twice daily (“BID”) for 14 days), etc.

In an example, bacteriotherapy to treat clostridium difficile or one or more other diseases or afflictions of the digestive tract can be provided using a  
10 combination of antibiotics and re-population of a healthy or desired bacterial flora. In certain examples, the re-population of bacterial flora can include fecal bacteriotherapy, or fecal transplant.

The process of fecal bacteriotherapy can include introducing a fecal sample of a healthy donor, or a donor having one or more desired characteristics, into a  
15 gastrointestinal tract of a patient to repopulate a healthy or desirable gut microbiota. In certain examples, prior to introduction of the fecal sample, the patient’s intestinal flora can be disrupted using antibiotics, such that the healthy or desirable gut microbiota, once introduced into the patient, can easily populate the gastrointestinal tract.

In an example, a kit of parts can be created to aid in fecal transplant. In an  
20 example, a donation kit can be shipped to a clinician. The donation kit can include equipment for blood and fecal samples from the patient or, in certain examples, a healthy donor. Because much of the patient’s gut microbiota is anaerobic, many organisms can die with exposure to air. In an example, the donation kit can include  
25 materials to ship the blood and fecal samples without harming the samples (e.g., quick freeze, dry ice, etc.).

Once shipped to a facility (e.g., one location, regional locations, many locations, etc.), the samples can be tested, and clostridium difficile or the presence

3365.001 WO1

or absence of one or more other diseases or conditions can be confirmed. In other examples, a healthy fecal sample can be tested and prepared for use as a treatment.

In an example, once the patient's samples are tested to verify the disease or condition, or the donor's samples are tested to verify health or other compatibility  
5 (e.g., the existence of one or more desired condition, etc.), a treatment can be prepared (e.g., using the healthy donor fecal sample, at least a portion of one or more healthy stored fecal samples, such as material from a fecal bank, etc.) and shipped back to the clinician for delivery to and treatment of the patient. In certain examples, the treatment is preserved (e.g., frozen, etc.) during shipping. The kit can  
10 include the processed fecal sample or treatment in a sterile container, such as a nasogastric (NG) tube, a vial (e.g., for use with a retention enema), a gastro-resitant capsule (e.g., acid-bio resistant to reach the intestinal tract, having a sterile outside), etc. In an example, once received, the clinician can store the contents in a manner to preserve the microbiota until ready to be inserted into the patient.

15 FIG. 1 illustrates generally an example of a Treatment Model 100 including a 5 day fecal bacteriotherapy treatment cycle. At 105, day 0, recurrence of a condition, such as clostridium difficile colitis or one or more other afflictions associated with the gut microbiota, is detected in a patient. In an example, the condition can be detected using the presentation of one or more symptoms  
20 associated with the condition, such as diarrhea during or following hospitalization, etc. In other examples, at 105, the occurrence of one or more undesirable conditions, such as obesity, etc., can be detected, triggering application of the Treatment Model 100.

At 105, day 1, acute treatment ("TX") can be prescribed for or administered  
25 to the patient. In an example, the acute treatment can include administration of vancomycin (e.g., at a dose of 125 mg) four times daily for 4 days (QID x 4d). In other examples, other doses can be used. However, the dosage can be less than traditional antibiotic treatment due to the subsequent repopulation of healthy or desired gut microbiota from the fecal bacteriotherapy to combat conditions or

3365.001 WO1

pathogens that would otherwise remain in the gastrointestinal tract (e.g., clostridium difficile spores, etc.).

At 110, day 1, a bacteriotherapy kit can be ordered, and in certain examples, a donor can be identified. In an example, the bacteriotherapy kit can be directed for  
5 use with a specific donor and recipient. In many examples, for patients or intended recipients having an improperly balanced or functioning gut microbiota, it can be desirable to identify a donor having a healthy gut microbiota similar to the patient's healthy gut microbiota. Accordingly, a donor having a similar diet from a similar or close geographic region, typically a spouse or close relative, provides the best  
10 probability of quickly returning the patient's healthy gut microbiota. However, in other examples, other desired donor characteristics can be selected, such as a physical characteristic, etc. In an example, the bacteriotherapy kit can be overnight shipped to a clinician at a treatment facility, such as a hospital or clinic, or otherwise quickly delivered to or stocked by the clinician or at the treatment facility. In  
15 certain examples, the kit can include a cooling mechanism, such as dry ice or one or more other cooling mechanisms, configured to preserve subsequent biological samples during transport.

At 115, day 2, the fecal sample can be taken from a proposed donor, from the patient, or from both the proposed donor and the patient. At 120, day 2, a blood  
20 sample can be taken from the proposed donor, from the patient, or from both the proposed donor and the patient. In an example, the fecal sample and the blood draw can be stored in a bag (e.g., a fecal sample bag or a blood bag, respectively) or one or more other storage mediums, such as a test tube or one or more other storage containers. In certain examples, to preserve the samples for testing and subsequent  
25 use, at least one of the fecal sample or the blood draw can be cooled, such as by using dry ice, etc. In an example, the fecal sample and the blood draw can be overnight shipped or otherwise quickly delivered to a facility for testing and processing the donor fecal sample.



3365.001WO1

At 125, day 3, the fecal sample can be processed for use in fecal bacteriotherapy. In an example, the processing can include at least one of blending or filtering the fecal sample and preparing the sample for delivery to the patient, such as by nasogastric (NG) tube, retention enema, colonoscopy delivery, or an oral  
5 tablet or capsule, resistant to stomach acid (e.g., using an enteric coating, etc.), configured to reach the gastrointestinal tract. Accordingly, the processing can include placement into a sterile delivery container, such as a bag configured for use with an NG tube or retention enema. At 130, day 3, the fecal sample can be screened for parasites or other pathogens, prior to or after processing. At 135, day  
10 3, the blood draw can be screened for communicable disease, to further ensure a healthy donor fecal sample.

In an example, following screening and processing, the processed sample can be cooled and overnight shipped to the clinician or caregiver at the treatment facility. At 140, day 4, following the last dose of acute treatment (e.g., using  
15 antibiotics), fecal bacteriotherapy can be provided to the patient using the donor's processed fecal sample.

FIG. 2 illustrates generally an example of a bacteriotherapy bank 200 including a cooling device (e.g., a refrigerator 201, etc.) having a plurality of shelves (e.g., such as a first shelf 226, etc.) configured to store one or more  
20 processed and screened donor fecal samples. In an example, the bacteriotherapy bank 200 can be configured to provide healthy donor fecal samples to a single patient or a plurality of patients using at least a portion of a fecal sample from a single healthy donor, or using at least a portion of a fecal sample from a plurality of healthy donors. The fecal bank allows for treatment of a first number of patients  
25 with a smaller number of donors, reducing the cost of testing and screening the donors and testing, screening, and processing the donor fecal samples.

In an example, the bacteriotherapy bank 200 can be supplied using a pool of anonymous, pre-screened donors, and can stock a number of frozen, screened aliquots (single donor) for subsequent use. In an example, a healthy donor can

3365.001WO1

prepare fecal and blood samples, unattached to a specific patient. In an example, the donor fecal samples can be indexed using various donor information, or using one or more characteristic of the donor fecal sample, such as a geographic location of the donor, the source of the donor's diet, the type of the donor's diet, the donor's ethnicity, body type, age, sex, health status, or medical history, or other information of the donor or the donor's fecal sample. In an example, people in the same geographic location, or having similar diets, can have similar gut microbiota. It can be desirable to match the gut microbiota of the healthy donor to the patient (e.g., similar reasons to using a healthy family member for a donor). In an example, the donor samples can be indexed using a computer indexing system configured to store the various donor information or one or more characteristic, can be indexed using a label on a bag or shelf in the bacteriotherapy bank 200, or can be indexed using one or more other indexing operations.

In an example, using the bacteriotherapy bank 200, exposure and risk associated with the procedure can be limited by using a donor for only a specified number of samples (e.g., to prevent the accidental exposure of patients to infected donor material). In other examples, it can be advantageous for an obese patient to receive the gut microbiota of a healthy or thin donor, or of a donor having a desired body composition or type, as the healthy or thin donors gut flora may aid in weight management or management of one or more other characteristic, such as weight gain, etc.

In certain examples, the bacteriotherapy bank 200 can store material at temperatures of -20 degrees Celsius, the materials including donor fecal samples, processed fecal samples, fecal samples in delivery form, such as in an NG tube, vial, oral pill, etc., or one or more other material.

FIG. 3 illustrates generally an example of a method 300 of receiving and storing donor fecal samples. At 315, a donor fecal sample is received. At 325, the donor fecal sample can be processed and prepared for use in fecal bacteriotherapy, including, in certain examples, testing or screening the donor fecal sample for one

3365.001WO1

or more diseases or conditions, or placing the processed donor fecal sample in deliverable form. At 326, the processed donor fecal sample can be stored prior to use, such as using a cooling mechanism such as dry ice, a refrigerator, or one or more other mechanisms.

5           FIG. 4 illustrates generally an example of a method 400 of receiving, storing, and indexing donor fecal samples. At 415, a plurality of donor fecal samples are received. At 417, at least one characteristic of each donor fecal sample, or at least one characteristic of each donor of each donor fecal sample, is received. At 426, the donor fecal sample can be stored prior to use, such as using a cooling  
10 mechanism such as dry ice, a refrigerator, or one or more other mechanisms. At 427, the donor fecal samples can be indexed using the at least one characteristic. In certain examples, the donor fecal samples can be selected for use with a patient using one or more shared or desired characteristic.

          In other examples, fecal bacteriotherapy (e.g., using the bacteriotherapy  
15 bank or kit models described above) can be used to treat or affect one or more other diseases or conditions. For example, inflammatory bowel disease (IBD) (e.g., including Crohn's disease, ulcerative colitis (UC), pouchitis, etc.) affects more than one million people in the United States alone. Irritable bowel syndrome accounts for nearly one-third of all gastrointestinal office visits, affecting more than 36  
20 million patients, with few tools or treatments available to provide effective treatment. In certain examples, patients afflicted with IBD or IBS could benefit from a different gut microbiota providing different functions to the gastrointestinal tract.

          Further, fecal bacteriotherapy can be used to treat obesity. Because the gut  
25 microbiota in obese individuals is different from non-obese individuals, and because gut microbiota influences energy metabolism, displacing the gut microbiota of an obese individual with the gut microbiota of a non-obese individual.

3365.001WO1

Additional Notes & Examples

In Example 1, a method can optionally include receiving a plurality of donor fecal samples from a plurality of donors, receiving a characteristic of each of the plurality of donor fecal samples, storing at least a portion of each of the plurality of donor fecal samples, and indexing each of the plurality of donor fecal samples using a characteristic of the respective donor fecal sample.

In Example 2, a characteristic of the donor fecal sample of Example 1 can optionally include a characteristic of the fecal biota of the donor fecal sample.

In Example 3, the characteristic of the donor fecal sample of any one or more of Examples 1-2 can optionally include at least one of a physical characteristic or a dietary characteristic of the donor.

In Example 4, the physical characteristic of the donor of any one or more of Examples 1-3 can optionally include at least one of a medical condition of the donor, a donor body mass index (BMI), a donor weight, a combination of a donor height and the donor weight, or a donor body fat percentage.

In Example 5, the physical characteristic of the donor of any one or more of Examples 1-4 can optionally include a medical condition of the donor, and the characteristic of the donor fecal sample can optionally include the presence or absence of a medical condition of the donor.

In Example 6, the medical condition of the donor of any one or more of Examples 1-5 can optionally include at least one of a metabolic disorder or a digestive disorder.

In Example 7, the metabolic disorder of any one or more of Examples 1-6 can optionally include diabetes mellitus, and the digestive disorder of any one or more of Examples 1-6 can optionally include a gastrointestinal (GI) disorder including at least one of irritable bowel syndrome (IBS) or inflammatory bowel disease (IBD).

3365.001WO1

In Example 8, the dietary characteristic of the donor of any one or more of Examples 1-7 can optionally include at least one of a donor geographic consumption region, a donor diet, or a donor religion.

5 In Example 9, the receiving the plurality of donor fecal samples of any one or more of Examples 1-8 can optionally include processing each of the plurality of donor fecal samples, including homogenizing and filtering each of the donor fecal samples.

10 In Example 10, the receiving the plurality of donor fecal samples of any one or more of Examples 1-9 can optionally include receiving a plurality of donor fecal samples from a plurality of screened donors.

15 In Example 11, any one or more of Examples 1-10 can optionally include receiving a request for donor fecal matter, and selecting a fecal dose using information from the request and the indexed characteristics of the plurality of donor fecal samples, wherein the fecal dose optionally includes at least a portion of at least one of the stored donor fecal samples and is configured to be provided to a patient.

In Example 12, any one or more of Examples 1-11 can optionally include providing the fecal dose to the patient to transfer a functioning biota in the patient.

20 In Example 13, the providing the fecal dose to the patient to transfer the functioning biota in the patient of any one or more of Examples 1-12 can optionally include to treat at least one of antibiotic associated diarrhea or a *Clostridium difficile* infection.

25 In Example 14, the receiving the request for donor fecal matter of any one or more of Examples 1-13 can optionally include receiving at least one desired characteristic.

In Example 15, the receiving the at least one desired characteristic of any one or more of Examples 1-14 can optionally include receiving at least one of a desired physical characteristic or a desired dietary characteristic of the donor.

3365.001WO1

In Example 16, the storing at least a portion of each of the plurality of donor fecal samples of any one or more of Examples 1-15 can optionally include storing at least a portion of each of the plurality of donor fecal samples in a patient-deliverable form.

5 In Example 17, the storing at least a portion of each of the plurality of donor fecal samples in the patient-deliverable form of any one or more of Examples 1-16 can optionally include storing at least a portion of each of the plurality of donor fecal samples in at least one of an ingestible capsule configured to be delivered to an intestinal tract of a patient through the mouth of the patient, an ampule configured  
10 for use in an antegrade gastrointestinal (GI) delivery approach to the intestinal tract of the patient, or an ampule configured for use in a retrograde GI delivery approach to the intestinal tract of the patient.

In Example 18, the receiving the plurality of donor fecal samples of any one or more of Examples 1-17 can optionally include receiving wet fecal samples and  
15 processing each of the received donor fecal samples, wherein the processing each of the received donor fecal samples of any one or more of Examples 1-17 can optionally include homogenizing, filtering, and adding a cryoprotectant to each of the donor fecal samples, and wherein the storing at least a portion of each of the plurality of donor fecal samples in a patient-deliverable form of any one or more of  
20 Examples 1-17 can optionally include freezing each of the plurality of donor fecal samples in the patient-deliverable form to maintain viability of the biota of the donor fecal samples.

In Example 19, any one or more of Examples 1-18 can optionally include preparing a plurality of fecal doses using one or more donor fecal samples from a  
25 single donor, wherein the plurality of fecal doses are configured to be provided to a plurality of patients.

In Example 20, any one or more of Examples 1-19 can optionally include preparing a fecal dose configured to be provided to a single patient using a plurality of donor fecal samples.

3365.001WO1

In Example 21, the preparing the fecal dose of any one or more of Examples 1-20 can optionally include combining at least a portion of a first donor fecal sample and a second donor fecal sample, wherein the first and second donor samples have at least one different characteristic.

5 In Example 22, a fecal bank can optionally include a plurality of fecal storage containers configured to store each of a plurality of donor fecal sample and an indexing system, configured to associate, for each of the plurality of donor fecal samples, a characteristic of the donor fecal sample with the respective donor fecal sample.

10 In Example 23, the characteristic of the donor fecal sample of any one or more of Examples 1-22 can optionally include at least one of a physical characteristic or a dietary characteristic of the donor.

In Example 24, the characteristic of the donor fecal sample of any one or more of Examples 1-23 can optionally include a characteristic of the fecal biota of  
15 the donor fecal sample.

In Example 25, the physical characteristic of the donor of any one or more of Examples 1-24 can optionally include at least one of a medical condition of the donor, a donor body mass index (BMI), a donor weight, a combination of a donor height and the donor weight, or a donor body fat percentage.

20 In Example 26, the physical characteristic of the donor of any one or more of Examples 1-25 can optionally include a medical condition of the donor and wherein the characteristic of the donor fecal sample includes the presence or absence of a medical condition of the donor.

In Example 27, the medical condition of the donor of any one or more of  
25 Examples 1-26 can optionally include at least one of a metabolic disorder or a digestive disorder, wherein the metabolic disorder includes diabetes mellitus, and wherein the digestive disorder includes a gastrointestinal (GI) disorder including at least one of irritable bowel syndrome (IBS) or inflammatory bowel disease (IBD).

3365.001WO1

In Example 28, the dietary characteristic of the donor of any one or more of Examples 1-27 can optionally include at least one of a donor geographic consumption region, a donor diet, or a donor religion.

5 In Example 29, the plurality of donor fecal samples of any one or more of Examples 1-28 can optionally include wet fecal samples and wherein the plurality of fecal storage containers are configured to store frozen, wet donor fecal samples to maintain viability of the biota of the donor fecal samples.

10 In Example 30, the plurality of fecal storage containers of any one or more of Examples 1-29 can optionally include a plurality of patient-deliverable fecal storage containers.

In Example 31, the plurality of patient-deliverable fecal storage containers of any one or more of Examples 1-30 can optionally include at least one of an ingestible capsule configured to be delivered to an intestinal tract of a patient through the mouth of the patient, an ampule configured for use in an antegrade gastrointestinal (GI) delivery approach to the intestinal tract of the patient, or an  
15 ampule configured for use in a retrograde GI delivery approach to the intestinal tract of the patient.

In Example 32, a system can include, or can optionally be combined with any portion or combination of any portions of any one or more of Examples 1-31 to  
20 include, subject matter that can include means for performing any one or more of the functions of Examples 1-31, or a machine-readable medium including instructions that, when performed by a machine, cause the machine to perform any one or more of the functions of Examples 1-31.

25 In Example 33, a method optionally includes receiving a donor fecal sample from a donor, processing the donor fecal sample, wherein the processing includes homogenizing the donor fecal sample, and storing at least a portion of the processed donor fecal sample.

In Example 34, the receiving the donor fecal sample from the donor of any one or more of Examples 1-33 can optionally include receiving a plurality of donor



3365.001WO1

fecal samples from a plurality of donors, wherein the processing the donor fecal sample of any one or more of Examples 1-33 can optionally include processing each of the plurality of donor fecal samples, wherein the processing of any one or more of Examples 1-33 can optionally include homogenizing each of the donor fecal samples, and wherein the storing at least a portion of the processed donor fecal sample of any one or more of Examples 1-33 can optionally include storing at least a portion of each of the plurality of processed donor fecal samples.

In Example 35, any one or more of Examples 1-34 optionally includes receiving a characteristic of each of the plurality of donor fecal samples, and indexing each of the plurality of donor fecal samples using a characteristic of the respective donor fecal sample.

In Example 36, the characteristic of the donor fecal sample of any one or more of Examples 1-35 can optionally include a characteristic of the fecal biota of the donor fecal sample.

In Example 37, the characteristic of the donor fecal sample of any one or more of Examples 1-36 can optionally include at least one of a physical characteristic or a dietary characteristic of the donor.

In Example 38, the physical characteristic of the donor of any one or more of Examples 1-37 can optionally include at least one of a medical condition of the donor, a donor body mass index (BMI), a donor weight, a combination of a donor height and the donor weight, or a donor body fat percentage.

In Example 39, the physical characteristic of the donor of any one or more of Examples 1-38 can optionally include a medical condition of the donor, and wherein the characteristic of the donor fecal sample of any one or more of Examples 1-38 can optionally include the presence or absence of a medical condition of the donor.

In Example 40, the medical condition of the donor of any one or more of Examples 1-39 can optionally include at least one of a metabolic disorder or a digestive disorder, wherein the metabolic disorder of any one or more of Examples 1-39 can optionally include diabetes mellitus, and wherein the digestive disorder

3365.001WO1

includes a gastrointestinal (GI) disorder of any one or more of Examples 1-39 can optionally include at least one of irritable bowel syndrome (IBS) or inflammatory bowel disease (IBD).

In Example 41, the dietary characteristic of the donor of any one or more of  
5 Examples 1-40 can optionally include at least one of a donor geographic consumption region, a donor diet, or a donor religion.

In Example 42, any one or more of Examples 1-41 can optionally include receiving a request for donor fecal matter, and selecting a fecal dose using information from the request and the indexed characteristics of the plurality of  
10 donor fecal samples, wherein the fecal dose of any one or more of Examples 1-41 can optionally include at least a portion of at least one of the stored donor fecal samples and is configured to be provided to a patient.

In Example 43, any one or more of Examples 1-42 can optionally include providing the fecal dose to the patient to transfer a functioning biota in the patient.

15 In Example 44, the providing the fecal dose to the patient to transfer the functioning biota in the patient of any one or more of Examples 1-43 can optionally include to treat at least one of antibiotic associated diarrhea or a Clostridium difficile infection.

In Example 45, the receiving the request for donor fecal matter of any one or  
20 more of Examples 1-44 can optionally include receiving at least one desired characteristic.

In Example 46, the receiving the at least one desired characteristic of any one or more of Examples 1-45 can optionally include receiving at least one of a desired physical characteristic or a desired dietary characteristic of the donor.

25 In Example 47, any one or more of Examples 1-46 can optionally include preparing a fecal dose configured to be provided to a single patient using a plurality of processed donor fecal samples.

In Example 48, the preparing the fecal dose of any one or more of Examples 1-47 can optionally include combining at least a portion of a first donor fecal sample

3365.001WO1

and a second donor fecal sample, wherein the first and second donor samples have at least one different characteristic.

In Example 49, the processing the donor fecal sample of any one or more of Examples 1-48 can optionally include filtering the donor fecal sample.

5 In Example 50, the receiving the donor fecal sample of any one or more of Examples 1-49 can optionally include receiving a donor fecal sample from a screened donor.

In Example 51, the storing at least a portion of the processed donor fecal sample of any one or more of Examples 1-50 can optionally include storing at least  
10 a portion of the processed donor fecal sample in a patient-deliverable form.

In Example 52, the storing at least a portion of the processed donor fecal sample in the patient-deliverable form of any one or more of Examples 1-51 can optionally include storing at least a portion of each of the plurality of donor fecal samples in at least one of an ingestible capsule configured to be delivered to an  
15 intestinal tract of a patient through the mouth of the patient, an ampule configured for use in an antegrade gastrointestinal (GI) delivery approach to the intestinal tract of the patient, or an ampule configured for use in a retrograde GI delivery approach to the intestinal tract of the patient.

In Example 53, the receiving the donor fecal sample of any one or more of  
20 Examples 1-52 can optionally include receiving a wet fecal sample, wherein the processing the donor fecal sample of any one or more of Examples 1-52 can optionally include adding a cryoprotectant to the donor fecal sample, and wherein the storing at least a portion of the processed donor fecal sample in the patient-deliverable form of any one or more of Examples 1-52 can optionally include  
25 freezing at least a portion of the processed donor fecal sample in the patient-deliverable form to maintain viability of the biota of the donor fecal sample.

In Example 54, the adding the cryoprotectant of any one or more of Examples 1-53 can optionally include at least one of glycol, glycerol, dimethyl sulfoxide (DMSO), dairy milk, or soy milk.

3365.001WO1

In Example 55, any one or more of Examples 1-54 can optionally include preparing a plurality of fecal doses using one or more processed donor fecal samples from a single donor, wherein the plurality of fecal doses are configured to be provided to a plurality of patients.

5 In Example 56, at least a portion of the stored donor fecal sample of any one or more of Examples 1-55 can optionally be configured to be provided to an intestinal tract of a patient that is not the donor to a condition of the patient.

In Example 57, the condition of any one or more of Examples 1-56 can optionally include at least one of a disease or an infection of or in the patient.

10 In Example 58, the condition of any one or more of Examples 1-57 can optionally include at least one of antibiotic associated diarrhea of the patient or a Clostridium difficile infection in the patient.

In Example 59, a system can include, or can optionally be combined with any portion or combination of any portions of any one or more of Examples 1-58 to include, subject matter that can include means for performing any one or more of the functions of Examples 1-58, or a machine-readable medium including instructions that, when performed by a machine, cause the machine to perform any one or more of the functions of Examples 1-58.

20 In Example 60, a method can optionally include receiving a donor fecal sample from a donor, and storing at least a portion of the donor fecal sample in a patient-deliverable form.

In Example 61, the receiving the donor fecal sample of any one or more of Examples 1-60 can optionally include receiving a plurality of donor fecal samples from a plurality of donors, and wherein the storing at least a portion of the donor fecal sample in the patient-deliverable form of any one or more of Examples 1-60 can optionally include storing at least a portion of each of the plurality of processed donor fecal samples in a patient-deliverable form.

In Example 62, any one or more of Examples 1-61 can optionally include receiving a characteristic of each of the plurality of donor fecal samples, and

3365.001WO1

indexing each of the plurality of donor fecal samples using a characteristic of the respective donor fecal sample.

In Example 63, the characteristic of the donor fecal sample of any one or more of Examples 1-62 can optionally include a characteristic of the fecal biota of the donor fecal sample.  
5

In Example 64, the characteristic of the donor fecal sample of any one or more of Examples 1-63 can optionally include at least one of a physical characteristic or a dietary characteristic of the donor.

In Example 65, the physical characteristic of the donor of any one or more of Examples 1-64 can optionally include at least one of a medical condition of the donor, a donor body mass index (BMI), a donor weight, a combination of a donor height and the donor weight, or a donor body fat percentage.  
10

In Example 66, the physical characteristic of the donor of any one or more of Examples 1-65 can optionally include a medical condition of the donor and wherein the characteristic of the donor fecal sample of any one or more of Examples 1-65 can optionally include the presence or absence of a medical condition of the donor.  
15

In Example 67, the medical condition of the donor of any one or more of Examples 1-66 can optionally include at least one of a metabolic disorder or a digestive disorder, wherein the metabolic disorder of any one or more of Examples 1-66 can optionally include diabetes mellitus, and wherein the digestive disorder of any one or more of Examples 1-66 can optionally include a gastrointestinal (GI) disorder including at least one of irritable bowel syndrome (IBS) or inflammatory bowel disease (IBD).  
20

In Example 68, the dietary characteristic of the donor of any one or more of Examples 1-67 can optionally include at least one of a donor geographic consumption region, a donor diet, or a donor religion.  
25

In Example 69, any one or more of Examples 1-68 can optionally include receiving a request for donor fecal matter and selecting a fecal dose using information from the request and the indexed characteristics of the plurality of

3365.001WO1

donor fecal samples, wherein the fecal dose includes at least a portion of at least one of the stored donor fecal samples and is configured to be provided to a patient.

In Example 70, any one or more of Examples 1-69 can optionally include providing the fecal dose to the patient to transfer a functioning biota in the patient.

5 In Example 71, the providing the fecal dose to the patient to transfer the functioning biota in the patient of any one or more of Examples 1-70 can optionally include to treat at least one of antibiotic associated diarrhea or a *Clostridium difficile* infection.

10 In Example 72, the receiving the request for donor fecal matter of any one or more of Examples 1-71 can optionally include receiving at least one desired characteristic.

In Example 73, the receiving the at least one desired characteristic of any one or more of Examples 1-72 can optionally include receiving at least one of a desired physical characteristic or a desired dietary characteristic of the donor.

15 In Example 74, any one or more of Examples 1-73 can optionally include preparing a fecal dose configured to be provided to a single patient using a plurality of processed donor fecal samples.

20 In Example 75, the preparing the fecal dose of any one or more of Examples 1-74 can optionally include combining at least a portion of a first donor fecal sample and a second donor fecal sample, wherein the first and second donor samples have at least one different characteristic.

In Example 76, the receiving the donor fecal sample of any one or more of Examples 1-75 can optionally include receiving a donor fecal sample from a screened donor.

25 In Example 77, any one or more of Examples 1-76 can optionally include processing the received donor fecal sample, wherein the processing includes homogenizing the donor fecal sample, wherein the storing at least a portion of the donor fecal sample in the patient-deliverable form of any one or more of Examples

3365.001 WO1

1-76 can optionally include storing at least a portion of the processed donor fecal sample.

In Example 78, the processing the donor fecal sample of any one or more of Examples 1-77 can optionally include filtering the donor fecal sample.

5 In Example 79, the receiving the donor fecal sample of any one or more of Examples 1-78 can optionally include receiving a wet fecal sample, wherein the processing the donor fecal sample of any one or more of Examples 1-78 can optionally include adding a cryoprotectant to the donor fecal sample, and wherein the storing at least a portion of the processed donor fecal sample in the patient-  
10 deliverable form of any one or more of Examples 1-78 can optionally include freezing at least a portion of the processed donor fecal sample in the patient-deliverable form to maintain viability of the biota of the donor fecal sample.

In Example 80, any one or more of Examples 1-79 can optionally include preparing a plurality of fecal doses using one or more processed donor fecal samples  
15 from a single donor, wherein the plurality of fecal doses are configured to be provided to a plurality of patients.

In Example 81, the storing at least a portion of the donor fecal sample in the patient-deliverable form of any one or more of Examples 1-80 can optionally include storing at least a portion of the donor fecal sample in at least one of an  
20 ingestible capsule configured to be delivered to an intestinal tract of a patient through the mouth of the patient, an ampule configured for use in an antegrade gastrointestinal (GI) delivery approach to the intestinal tract of the patient, or an ampule configured for use in a retrograde GI delivery approach to the intestinal tract of the patient.

25 In Example 82, the storing at least a portion of the donor fecal sample in the ingestible capsule of any one or more of Examples 1-81 can optionally include storing at least a portion of the donor fecal sample in a gastro-resistant capsule.

In Example 83, any one or more of Examples 1-82 can optionally include a patient-deliverable fecal storage container configured to store at least a portion of a

3365.001 WO1

processed donor fecal sample configured to be provided to an intestinal tract of a patient that is not the donor to treat a condition of the patient.

In Example 84, of any one or more of Examples 1-83 can optionally include a plurality of patient-deliverable fecal storage containers configured to store at least  
5 a portion of each of a plurality of processed donor fecal samples, and an indexing system, configured to associate, for each of the plurality of processed donor fecal samples, a characteristic of the processed donor fecal sample with the respective processed donor fecal sample.

In Example 85, the characteristic of the donor fecal sample of any one or  
10 more of Examples 1-84 can optionally include a characteristic of the fecal biota of the donor fecal sample.

In Example 86, the characteristic of the donor fecal sample of any one or more of Examples 1-85 can optionally include at least one of a physical characteristic or a dietary characteristic of the donor.

In Example 87, the physical characteristic of the donor of any one or more of  
15 Examples 1-86 can optionally include at least one of a medical condition of the donor, a donor body mass index (BMI), a donor weight, a combination of a donor height and the donor weight, or a donor body fat percentage.

In Example 88, the physical characteristic of the donor of any one or more of  
20 Examples 1-87 can optionally include a medical condition of the donor, wherein the characteristic of the donor fecal sample of any one or more of Examples 1-87 can optionally include the presence or absence of a medical condition of the donor.

In Example 89, the medical condition of the donor of any one or more of  
25 Examples 1-88 can optionally include at least one of a metabolic disorder or a digestive disorder, wherein the metabolic disorder of any one or more of Examples 1-88 can optionally include diabetes mellitus, and wherein the digestive disorder of any one or more of Examples 1-88 can optionally include a gastrointestinal (GI) disorder including at least one of irritable bowel syndrome (IBS) or inflammatory bowel disease (IBD).



3365.001WO1

In Example 90, the dietary characteristic of the donor of any one or more of Examples 1-89 can optionally include at least one of a donor geographic consumption region, a donor diet, or a donor religion.

5 In Example 91, the processed donor fecal sample of any one or more of Examples 1-90 can optionally include a wet fecal sample, and wherein the patient-deliverable fecal storage container of any one or more of Examples 1-90 can optionally be configured to store at least a portion of a frozen, wet donor fecal sample to maintain viability of the biota of the donor fecal sample.

10 In Example 92, the patient-deliverable fecal storage container of any one or more of Examples 1-91 can optionally include at least one of an ingestible capsule configured to be delivered to an intestinal tract of a patient through the mouth of the patient, an ampule configured for use in an antegrade gastrointestinal (GI) delivery approach to the intestinal tract of the patient, or an ampule configured for use in a retrograde GI delivery approach to the intestinal tract of the patient.

15 In Example 93, the condition of the patient of any one or more of Examples 1-92 can optionally include at least one of a disease or an infection of or in the patient.

20 In Example 94, the condition of the patient of any one or more of Examples 1-93 can optionally include at least one of antibiotic associated diarrhea of the patient or a Clostridium difficile infection in the patient.

25 In Example 95, a system can include, or can optionally be combined with any portion or combination of any portions of any one or more of Examples 1-94 to include, subject matter that can include means for performing any one or more of the functions of Examples 1-94, or a machine-readable medium including instructions that, when performed by a machine, cause the machine to perform any one or more of the functions of Examples 1-94.

In Example 96, a method can optionally include selecting a fecal dose for treatment of a condition of a patient, wherein the fecal dose includes at least a portion of a donor fecal sample from a donor and is configured to be provided to an

3365.001WO1

intestinal tract of the patient, wherein the patient is not the donor, and wherein the selecting the fecal dose includes using a characteristic of the donor.

In Example 97, the condition of the patient of any one or more of Examples 1-96 can optionally include a patient weight above a desired target weight.

5 In Example 98, the condition of the patient of any one or more of Examples 1-97 can optionally include obesity.

In Example 99, the characteristic of the donor fecal sample of any one or more of Examples 1-98 can optionally include a characteristic of the fecal biota of the donor fecal sample.

10 In Example 100, the characteristic of the donor of any one or more of Examples 1-99 can optionally include at least one of a physical characteristic or a dietary characteristic of the donor.

In Example 101, the physical characteristic of the donor of any one or more of Examples 1-100 can optionally include at least one of a donor body mass index (BMI), a donor weight, a combination of a donor height and the donor weight, or a donor body fat percentage.

15 In Example 102, the physical characteristic of the donor of any one or more of Examples 1-101 can optionally include a medical condition of the donor, and wherein the characteristic of the donor fecal sample of any one or more of Examples 20 1-101 can optionally include the presence or absence of a medical condition of the donor.

In Example 103, the dietary characteristic of the donor of any one or more of Examples 1-102 can optionally include at least one of a donor geographic consumption region, a donor diet, or a donor religion.

25 In Example 104, any one or more of Examples 1-103 can optionally include providing information about the dietary characteristic of the donor to the patient, wherein the dietary characteristic includes a donor diet.

3365.001WO1

In Example 105, the characteristic of the donor of any one or more of Examples 1-104 can optionally include the physical characteristic of the donor and the dietary characteristic of the donor.

5 In Example 106, the fecal dose of any one or more of Examples 1-105 can optionally include at least a portion of a plurality of donor fecal samples from a plurality of donors, and wherein the selecting the fecal dose of any one or more of Examples 1-105 can optionally include using at least one characteristic of the plurality of donors.

10 In Example 107, any one or more of Examples 1-106 can optionally include receiving the donor fecal sample from the donor, processing the donor fecal sample, wherein the processing of any one or more of Examples 1-106 can optionally include homogenizing the donor fecal sample, and wherein the fecal dose of any one or more of Examples 1-106 can optionally include at least a portion of the processed donor fecal sample.

15 In Example 108, the receiving the donor fecal sample from the donor of any one or more of Examples 1-107 can optionally include receiving a plurality of donor fecal samples from a plurality of donors, wherein the processing the donor fecal sample of any one or more of Examples 1-107 can optionally include processing each of the plurality of donor fecal samples, wherein the processing of any one or more of Examples 1-107 can optionally include homogenizing each of the donor fecal samples, and storing at least a portion of each of the plurality of processed donor fecal samples.

20 In Example 109, any one or more of Examples 1-108 can optionally include receiving a characteristic of each of the plurality of donor fecal samples, and indexing each of the plurality of donor fecal samples using a characteristic of the respective donor fecal sample.

In Example 110, the fecal dose of any one or more of Examples 1-109 can optionally include at least a portion of at least one of the stored processed donor fecal samples and is configured to be provided to a patient.

3365.001WO1

In Example 111, the receiving the donor fecal sample of any one or more of Examples 1-110 can optionally include receiving a wet fecal sample, wherein the processing the donor fecal sample includes adding a cryoprotectant to the donor fecal sample, storing at least a portion of the processed donor fecal sample in a patient-deliverable form, and wherein the storing at least a portion of the processed donor fecal sample in the patient-deliverable form of any one or more of Examples 1-110 can optionally include freezing at least a portion of the processed donor fecal sample in the patient-deliverable form to maintain viability of the biota of the donor fecal sample.

10 In Example 112, any one or more of Examples 1-111 can optionally include receiving the donor fecal sample from the donor, storing at least a portion of the donor fecal sample in a patient-deliverable form, and wherein the selecting the fecal dose of any one or more of Examples 1-111 can optionally include selecting at least one stored donor fecal sample.

15 In Example 113, the storing at least a portion of the donor fecal sample in the patient-deliverable form of any one or more of Examples 1-112 can optionally include storing at least a portion of the donor fecal sample in at least one of an ingestible capsule configured to be delivered to an intestinal tract of a patient through the mouth of the patient, an ampule configured for use in an antegrade gastrointestinal (GI) delivery approach to the intestinal tract of the patient, or an ampule configured for use in a retrograde GI delivery approach to the intestinal tract of the patient.

In Example 114, the condition of any one or more of Examples 1-113 can optionally include at least one of a disease or an infection of or in the patient.

25 In Example 115, the condition of any one or more of Examples 1-116 can optionally include at least one of antibiotic associated diarrhea of the patient or a Clostridium difficile infection in the patient.

In Example 116, any one or more of Examples 1-115 can optionally include preparing a plurality of fecal doses using one or more donor fecal samples from a

3365.001WO1

single donor, wherein the plurality of fecal doses are configured to be provided to a plurality of patients

In Example 117, any one or more of Examples 1-116 can optionally include receiving a plurality of donor fecal samples from a plurality of donors, receiving a  
5 characteristic of each of the plurality of donors, storing at least a portion of each of the plurality of donor fecal samples, indexing each of the plurality of donor fecal samples using at least one characteristic of the respective donors, receiving a request for donor fecal matter, and selecting a fecal dose for treatment of a condition of a patient in response to the received request for donor fecal matter, wherein the fecal  
10 dose of any one or more of Examples 1-116 can optionally include at least a portion of a stored donor fecal sample and is configured to be provided to an intestinal tract of the patient, wherein the patient is not the donor, wherein the condition of the patient of any one or more of Examples 1-116 can optionally include a patient weight above a desired patient weight, and wherein the selecting the fecal dose  
15 includes using a physical characteristic of the donor of the fecal dose and a dietary characteristic of the donor of the fecal dose.

In Example 118, the physical characteristic of the donor of any one or more of Examples 1-117 can optionally include at least one of a donor body mass index (BMI), a donor weight, a combination of a donor height and the donor weight, or a  
20 donor body fat percentage.

In Example 119, the dietary characteristic of the donor of any one or more of Examples 1-118 can optionally include at least one of a donor geographic consumption region, a donor diet, or a donor religion.

In Example 120, any one or more of Examples 1-119 can optionally include  
25 providing information about the dietary characteristic of the donor to the patient, wherein the dietary characteristic includes a donor diet.

In Example 121, the fecal dose of any one or more of Examples 1-120 can optionally include at least a portion of a plurality of donor fecal samples from a plurality of donors, and wherein the selecting the fecal dose of any one or more of

3365.001WO1

Examples 1-120 can optionally include using a physical characteristic of the plurality of donors of the fecal dose and a dietary characteristic of the plurality of donors of the fecal dose.

5 In Example 122, a system can include, or can optionally be combined with any portion or combination of any portions of any one or more of Examples 1-121 to include, subject matter that can include means for performing any one or more of the functions of Examples 1-121, or a machine-readable medium including instructions that, when performed by a machine, cause the machine to perform any one or more of the functions of Examples 1-121.

10 In Example 123, a method can optionally include providing a kit to a clinician, the kit enabling the clinician to store and transport a donor fecal sample from a donor to a central facility, receiving the frozen donor fecal sample from the clinician at the central facility, screening the donor fecal sample for at least one of a parasite, a pathogen, a disease, or an unhealthy condition of the donor, and  
15 providing a fecal dose to the clinician to be administered to a patient, wherein the fecal dose includes at least a portion of at least one donor fecal sample.

In Example 124, any one or more of Examples 1-123 can optionally include, receiving a characteristic of the donor fecal sample, storing at least a portion the donor fecal sample, and indexing the donor fecal sample using the characteristic of  
20 the donor fecal sample.

In Example 125, the characteristic of the donor fecal sample of any one or more of Examples 1-124 can optionally include a characteristic of the fecal biota of the donor fecal sample.

25 In Example 126, the characteristic of the donor fecal sample of any one or more of Examples 1-125 can optionally include at least one of a physical characteristic or a dietary characteristic of the donor.

In Example 127, the physical characteristic of the donor of any one or more of Examples 1-126 can optionally include at least one of a medical condition of the

3365.001WO1

donor, a donor body mass index (BMI), a donor weight, a combination of a donor height and the donor weight, or a donor body fat percentage.

In Example 128, the physical characteristic of the donor of any one or more of Examples 1-127 can optionally include a medical condition of the donor, and  
5 wherein the characteristic of the donor fecal sample of any one or more of Examples 1-127 can optionally include the presence or absence of a medical condition of the donor.

In Example 129, the medical condition of the donor of any one or more of Examples 1-128 can optionally include at least one of a metabolic disorder or a  
10 digestive disorder.

In Example 130, the metabolic disorder of any one or more of Examples 1-129 can optionally include diabetes mellitus, and wherein the digestive disorder of any one or more of Examples 1-129 can optionally include a gastrointestinal (GI) disorder including at least one of irritable bowel syndrome (IBS) or inflammatory  
15 bowel disease (IBD).

In Example 131, the dietary characteristic of the donor of any one or more of Examples 1-130 can optionally include at least one of a donor geographic consumption region, a donor diet, or a donor religion.

In Example 132, the providing the kit to the clinician of any one or more of  
20 Examples 1-131 can optionally include providing a plurality of kits to one or more clinicians, wherein the receiving the frozen donor fecal sample from the clinician of any one or more of Examples 1-131 can optionally include receiving a plurality of frozen donor fecal samples from one or more clinicians, wherein the screening the donor fecal sample of any one or more of Examples 1-131 can optionally include  
25 screening a plurality of donor fecal samples, wherein the receiving the characteristic of the donor fecal sample of any one or more of Examples 1-131 can optionally include receiving a characteristic of each of the plurality of donor fecal samples, wherein the storing at least a portion of the donor fecal sample of any one or more of Examples 1-131 can optionally include storing at least a portion of the plurality

3365.001WO1

of donor fecal samples, and wherein the indexing the donor fecal sample of any one or more of Examples 1-131 can optionally include indexing each the plurality of donor fecal samples using a characteristic of the respective donor fecal sample.

In Example 133, any one or more of Examples 1-132 can optionally include  
5 receiving a request for donor fecal matter, and selecting the fecal dose to be provided to the patient from a plurality of stored fecal doses using information from the request and the indexed characteristics of the plurality of donor fecal samples.

In Example 134, the receiving the request for donor fecal matter of any one or more of Examples 1-133 can optionally include receiving at least one desired  
10 characteristic.

In Example 135, the receiving the at least one desired characteristic of any one or more of Examples 1-136 can optionally include receiving at least one of a desired physical characteristic or a desired dietary characteristic of the donor.

In Example 136, the storing at least a portion the donor fecal sample of any  
15 one or more of Examples 1-135 can optionally include storing at least a portion of the donor fecal sample in a patient-deliverable form.

In Example 137, the storing at least a portion of the donor fecal sample in a patient-deliverable form of any one or more of Examples 1-136 can optionally include storing at least a portion of each of the plurality of donor fecal samples in at  
20 least one of an ingestible capsule configured to be delivered to an intestinal tract of a patient through the mouth of the patient, an ampule configured for use in an antegrade gastrointestinal (GI) delivery approach to the intestinal tract of the patient, or an ampule configured for use in a retrograde GI delivery approach to the intestinal tract of the patient.

In Example 138, any one or more of Examples 1-137 can optionally include  
25 processing the donor fecal sample, the processing the donor fecal sample of any one or more of Examples 1-137 can optionally include homogenizing and filtering the donor fecal sample.



3365.001WO1

In Example 139, the processing the donor fecal sample of any one or more of Examples 1-138 can optionally include adding a cryoprotectant to the donor fecal sample, and wherein the storing at least a portion of the donor fecal sample of any one or more of Examples 1-138 can optionally include freezing the donor fecal  
5 sample to maintain viability of the biota of the donor fecal sample.

In Example 140, any one or more of Examples 1-139 can optionally include providing the fecal dose to the patient to transfer a functioning biota in the patient.

In Example 141, the providing the fecal dose to the patient to transfer the functioning biota in the patient of any one or more of Examples 1-140 can  
10 optionally include to treat at least one of antibiotic associated diarrhea or a Clostridium difficile infection.

In Example 142, any one or more of Examples 1-141 can optionally include providing a kit to the clinician, the kit enabling the clinician to store and transport a donor blood sample from the donor to the central facility, receiving the frozen donor  
15 blood sample from the clinician at the central facility, and screening the donor blood sample for at least one of a parasite, a pathogen, a disease, or an unhealthy condition of the donor.

In Example 143, the providing the kit to the clinician of any one or more of Examples 1-142 can optionally include providing a kit enabling the clinician to store  
20 and transport a wet fecal sample from the patient to the central facility.

In Example 144, the providing the kit to the clinician of any one or more of Examples 1-143 can optionally include providing a kit enabling the clinician to store, freeze, and transport the wet fecal sample from the patient to the central  
facility.

25 In Example 145, a system can include, or can optionally be combined with any portion or combination of any portions of any one or more of Examples 1-144 to include, subject matter that can include means for performing any one or more of the functions of Examples 1-144, or a machine-readable medium including

3365.001WO1

instructions that, when performed by a machine, cause the machine to perform any one or more of the functions of Examples 1-144.

In Example 146, a method can optionally include providing a kit to a clinician, the kit enabling the clinician to store and transport a patient fecal sample from a patient to a central facility, receiving the frozen patient fecal sample from the clinician at the central facility, and providing a fecal dose to the clinician to be administered to the patient, wherein the fecal dose of any one or more of Examples 1-145 can optionally include at least a portion of at least one donor fecal sample.

In Example 147, any one or more of Examples 1-146 can optionally include receiving a characteristic of the patient fecal sample, and selecting at least one of a plurality of stored donor fecal samples to be provided to the patient using the received characteristic.

In Example 148, any one or more of Examples 1-147 can optionally include receiving a desired characteristic, and selecting at least one of a plurality of stored donor fecal samples to be provided to the patient using the desired characteristic.

In Example 149, the providing the fecal dose to the clinician of any one or more of Examples 1-148 can optionally include providing the fecal dose in a patient-deliverable form, including at least one of an ingestible capsule configured to be delivered to an intestinal tract of the patient through the mouth of the patient, an ampule configured for use in an antegrade gastrointestinal (GI) delivery approach to the intestinal tract of the patient, or an ampule configured for use in a retrograde GI delivery approach to the intestinal tract of the patient.

In Example 150, the providing the kit to the clinician of any one or more of Examples 1-149 can optionally include providing a sterile kit to the clinician.

In Example 151, the providing the kit to the clinician and the providing the fecal dose to the clinician of any one or more of Examples 1-150 can optionally include using expedited shipping.

In Example 152, the expedited shipping of any one or more of Examples 1-151 can optionally include overnight shipping.

3365.001WO1

In Example 153, any one or more of Examples 1-152 can optionally include screening the patient fecal sample for at least one of a parasite, a pathogen, a disease, or an unhealthy condition of the patient.

5 In Example 154, any one or more of Examples 1-153 can optionally include providing a kit to the clinician, the kit enabling the clinician to store and transport a patient blood sample from the patient to the central facility, and screening the patient blood sample for at least one of a parasite, a pathogen, a disease, or an unhealthy condition of the patient.

10 In Example 155, the providing the kit to the clinician of any one or more of Examples 1-154 can optionally include providing a kit enabling the clinician to store and transport a wet fecal sample from the patient to the central facility.

15 In Example 156, the providing the kit to the clinician of any one or more of Examples 1-155 can optionally include providing a kit enabling the clinician to store, freeze, and transport the wet fecal sample from the patient to the central facility.

In Example 157, a system can include, or can optionally be combined with any portion or combination of any portions of any one or more of Examples 1-156 to include, subject matter that can include means for performing any one or more of the functions of Examples 1-156, or a machine-readable medium including  
20 instructions that, when performed by a machine, cause the machine to perform any one or more of the functions of Examples 1-156.

These non-limiting examples described above can be combined in any permutation or combination.

25 The above detailed description includes references to the accompanying drawings, which form a part of the detailed description. The drawings show, by way of illustration, specific embodiments in which the invention can be practiced. These embodiments are also referred to herein as "examples." Such examples can include elements in addition to those shown or described. However, the present inventors also contemplate examples in which only those elements shown or

3365.001WO1

described are provided. Moreover, the present inventors also contemplate examples using any combination or permutation of those elements shown or described (or one or more aspects thereof), either with respect to a particular example (or one or more aspects thereof), or with respect to other examples (or one or more aspects thereof) shown or described herein.

All publications, patents, and patent documents referred to in this document are incorporated by reference herein in their entirety, as though individually incorporated by reference. In the event of inconsistent usages between this document and those documents so incorporated by reference, the usage in the incorporated reference(s) should be considered supplementary to that of this document; for irreconcilable inconsistencies, the usage in this document controls.

In this document, the terms “a” or “an” are used, as is common in patent documents, to include one or more than one, independent of any other instances or usages of “at least one” or “one or more.” In this document, the term “or” is used to refer to a nonexclusive or, such that “A or B” includes “A but not B,” “B but not A,” and “A and B,” unless otherwise indicated. In this document, the terms “including” and “in which” are used as the plain-English equivalents of the respective terms “comprising” and “wherein.” Also, in the following claims, the terms “including” and “comprising” are open-ended, that is, a system, device, article, or process that includes elements in addition to those listed after such a term in a claim are still deemed to fall within the scope of that claim. Moreover, in the following claims, the terms “first,” “second,” and “third,” etc. are used merely as labels, and are not intended to impose numerical requirements on their objects.

Method examples described herein can be machine or computer-implemented at least in part. Some examples can include a computer-readable medium or machine-readable medium encoded with instructions operable to configure an electronic device to perform methods as described in the above examples. An implementation of such methods can include code, such as microcode, assembly language code, a higher-level language code, or the like. Such

3365.001WO1

code can include computer readable instructions for performing various methods.

The code may form portions of computer program products. Further, in an example, the code can be tangibly stored on one or more volatile, non-transitory, or non-volatile tangible computer-readable media, such as during execution or at other

5 times. Examples of these tangible computer-readable media can include, but are not limited to, hard disks, removable magnetic disks, removable optical disks (e.g., compact disks and digital video disks), magnetic cassettes, memory cards or sticks, random access memories (RAMs), read only memories (ROMs), and the like.

The above description is intended to be illustrative, and not restrictive. For  
10 example, the above-described examples (or one or more aspects thereof) may be used in combination with each other. Other embodiments can be used, such as by one of ordinary skill in the art upon reviewing the above description. The Abstract is provided to comply with 37 C.F.R. §1.72(b), to allow the reader to quickly ascertain the nature of the technical disclosure. It is submitted with the  
15 understanding that it will not be used to interpret or limit the scope or meaning of the claims. Also, in the above Detailed Description, various features may be grouped together to streamline the disclosure. This should not be interpreted as intending that an unclaimed disclosed feature is essential to any claim. Rather, inventive subject matter may lie in less than all features of a particular disclosed  
20 embodiment. Thus, the following claims are hereby incorporated into the Detailed Description, with each claim standing on its own as a separate embodiment, and it is contemplated that such embodiments can be combined with each other in various combinations or permutations. The scope of the invention should be determined with reference to the appended claims, along with the full scope of equivalents to  
25 which such claims are entitled.

WHAT IS CLAIMED IS:

1. A method comprising:  
receiving a plurality of donor fecal samples from a plurality of donors;  
receiving a characteristic of each of the plurality of donor fecal samples;  
storing at least a portion of each of the plurality of donor fecal samples; and  
5 indexing each of the plurality of donor fecal samples using a characteristic of  
the respective donor fecal sample.
2. The method of claim 1, wherein the characteristic of the donor fecal sample  
includes a characteristic of the fecal biota of the donor fecal sample.  
10
3. The method of claim 1, wherein the characteristic of the donor fecal sample  
includes at least one of a physical characteristic or a dietary characteristic of the  
donor.
- 15 4. The method of claim 3, wherein the physical characteristic of the donor  
includes at least one of a medical condition of the donor, a donor body mass index  
(BMI), a donor weight, a combination of a donor height and the donor weight, or a  
donor body fat percentage.
- 20 5. The method of claim 4, wherein the physical characteristic of the donor  
includes a medical condition of the donor; and  
wherein the characteristic of the donor fecal sample includes the presence or  
absence of a medical condition of the donor.
- 25 6. The method of claim 4, wherein the medical condition of the donor includes  
at least one of a metabolic disorder or a digestive disorder.

3365.001WO1

7. The method of claim 6, wherein the metabolic disorder includes diabetes mellitus, and wherein the digestive disorder includes a gastrointestinal (GI) disorder including at least one of irritable bowel syndrome (IBS) or inflammatory bowel disease (IBD).

5

8. The method of claim 3, wherein the dietary characteristic of the donor includes at least one of a donor geographic consumption region, a donor diet, or a donor religion.

10 9. The method of claim 1, wherein the receiving the plurality of donor fecal samples includes processing each of the plurality of donor fecal samples, including homogenizing and filtering each of the donor fecal samples.

10. The method of claim 1, wherein the receiving the plurality of donor fecal samples includes receiving a plurality of donor fecal samples from a plurality of screened donors.

11. The method of claim 1, including:  
receiving a request for donor fecal matter; and  
20 selecting a fecal dose using information from the request and the indexed characteristics of the plurality of donor fecal samples, wherein the fecal dose includes at least a portion of at least one of the stored donor fecal samples and is configured to be provided to a patient.

25 12. The method of claim 11, including providing the fecal dose to the patient to transfer a functioning biota in the patient.

3365.001WO1

13. The method of claim 12, wherein the providing the fecal dose to the patient to transfer the functioning biota in the patient includes to treat at least one of antibiotic associated diarrhea or a Clostridium difficile infection.

5 14. The method of claim 11, wherein the receiving the request for donor fecal matter includes receiving at least one desired characteristic.

15. The method of claim 14, wherein the receiving the at least one desired characteristic includes receiving at least one of a desired physical characteristic or a  
10 desired dietary characteristic of the donor.

16. The method of claim 1, wherein the storing at least a portion of each of the plurality of donor fecal samples includes storing at least a portion of each of the plurality of donor fecal samples in a patient-deliverable form.

15

17. The method of claim 16, wherein the storing at least a portion of each of the plurality of donor fecal samples in the patient-deliverable form includes storing at least a portion of each of the plurality of donor fecal samples in at least one of:

20 an ingestible capsule configured to be delivered to an intestinal tract of a patient through the mouth of the patient;

an ampule configured for use in an antegrade gastrointestinal (GI) delivery approach to the intestinal tract of the patient; or

an ampule configured for use in a retrograde GI delivery approach to the intestinal tract of the patient.

25

18. The method of claim 16, wherein the receiving the plurality of donor fecal samples includes receiving wet fecal samples and processing each of the received donor fecal samples;



3365.001WO1

wherein the processing each of the received donor fecal samples includes homogenizing, filtering, and adding a cryoprotectant to each of the donor fecal samples; and

5 wherein the storing at least a portion of each of the plurality of donor fecal samples in a patient-deliverable form includes freezing each of the plurality of donor fecal samples in the patient-deliverable form to maintain viability of the biota of the donor fecal samples.

19. The method of claim 1, including preparing a plurality of fecal doses using  
10 one or more donor fecal samples from a single donor, wherein the plurality of fecal doses are configured to be provided to a plurality of patients.

20. The method of claim 1, including preparing a fecal dose configured to be provided to a single patient using a plurality of donor fecal samples.

15

21. The method of claim 20, wherein the preparing the fecal dose includes combining at least a portion of a first donor fecal sample and a second donor fecal sample, wherein the first and second donor samples have at least one different characteristic.

20

22. A fecal bank, comprising:

a plurality of fecal storage containers configured to store each of a plurality of donor fecal samples; and

25 an indexing system, configured to associate, for each of the plurality of donor fecal samples, a characteristic of the donor fecal sample with the respective donor fecal sample.

3365.001WO1

23. The fecal bank of claim 22, wherein the characteristic of the donor fecal sample includes at least one of a physical characteristic or a dietary characteristic of the donor.

5 24. The fecal bank of claim 22, wherein the characteristic of the donor fecal sample includes a characteristic of the fecal biota of the donor fecal sample.

25. The fecal bank of claim 23, wherein the physical characteristic of the donor includes at least one of a medical condition of the donor, a donor body mass index  
10 (BMI), a donor weight, a combination of a donor height and the donor weight, or a donor body fat percentage.

26. The fecal bank of claim 25, wherein the physical characteristic of the donor includes a medical condition of the donor; and  
15 wherein the characteristic of the donor fecal sample includes the presence or absence of a medical condition of the donor.

27. The fecal bank of claim 25, wherein the medical condition of the donor includes at least one of a metabolic disorder or a digestive disorder;  
20 wherein the metabolic disorder includes diabetes mellitus; and  
wherein the digestive disorder includes a gastrointestinal (GI) disorder including at least one of irritable bowel syndrome (IBS) or inflammatory bowel disease (IBD).

25 28. The fecal bank of claim 23, wherein the dietary characteristic of the donor includes at least one of a donor geographic consumption region, a donor diet, or a donor religion.

3365.001WO1

29. The fecal bank of claim 22, wherein the plurality of donor fecal samples include wet fecal samples; and

wherein the plurality of fecal storage containers are configured to store frozen, wet donor fecal samples to maintain viability of the biota of the donor fecal samples.

5

30. The fecal bank of claim 22, wherein the plurality of fecal storage containers include a plurality of patient-deliverable fecal storage containers.

10 31. The fecal bank of claim 30, wherein the plurality of patient-deliverable fecal storage containers include at least one of:

an ingestible capsule configured to be delivered to an intestinal tract of a patient through the mouth of the patient;

15 an ampule configured for use in an antegrade gastrointestinal (GI) delivery approach to the intestinal tract of the patient; or

an ampule configured for use in a retrograde GI delivery approach to the intestinal tract of the patient.

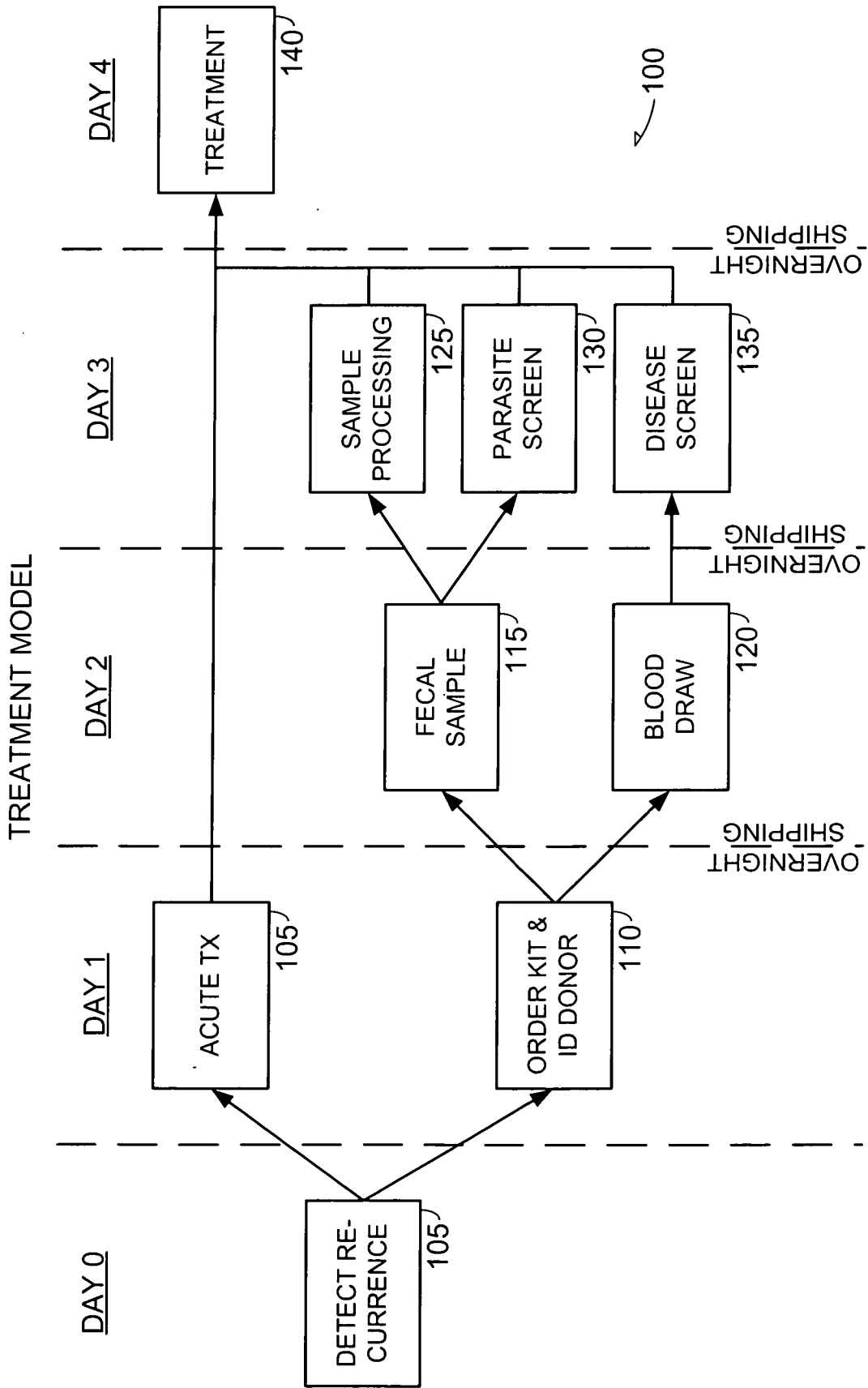


FIG. 1

2/3

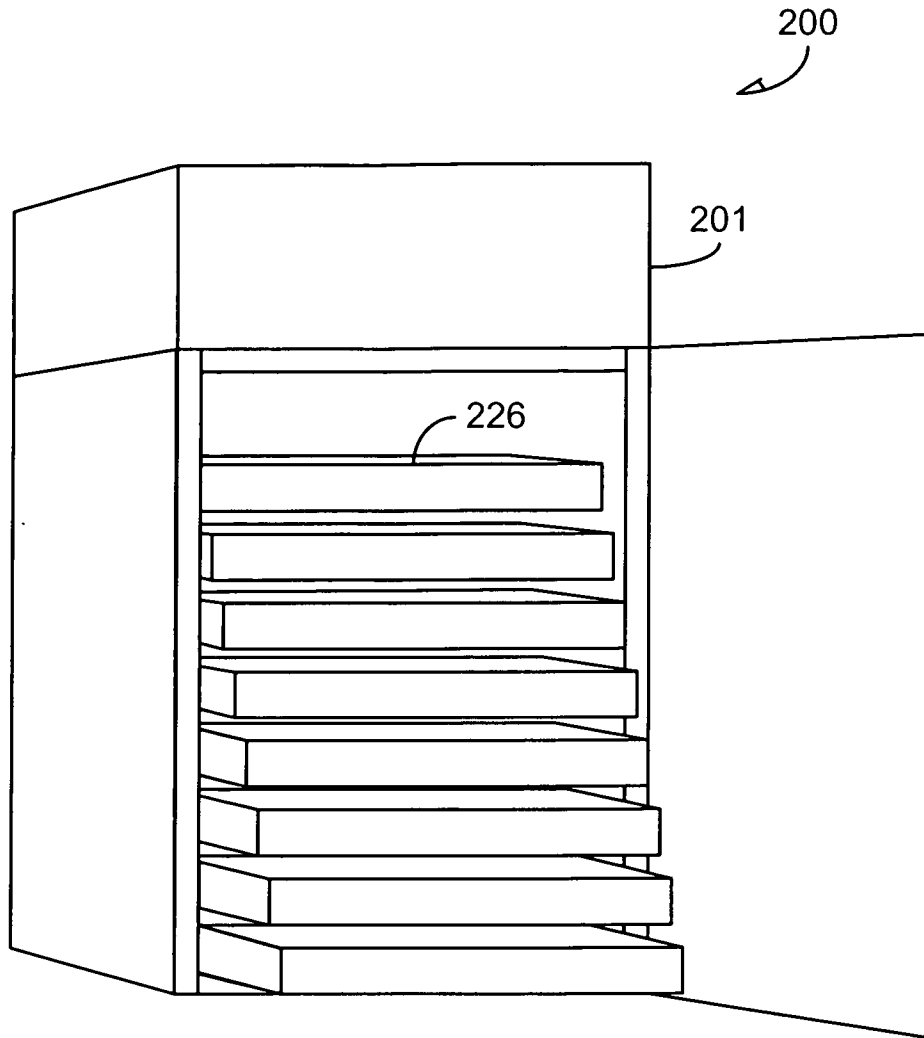


FIG. 2

3/3

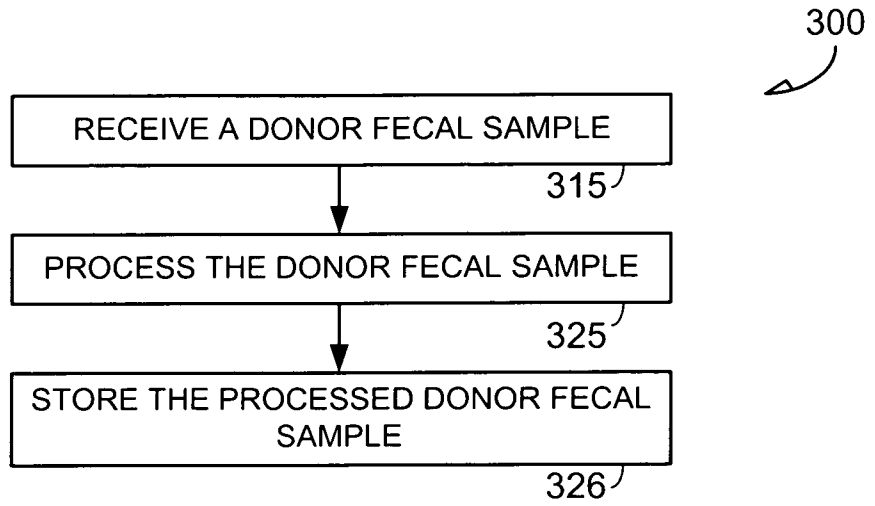


FIG. 3

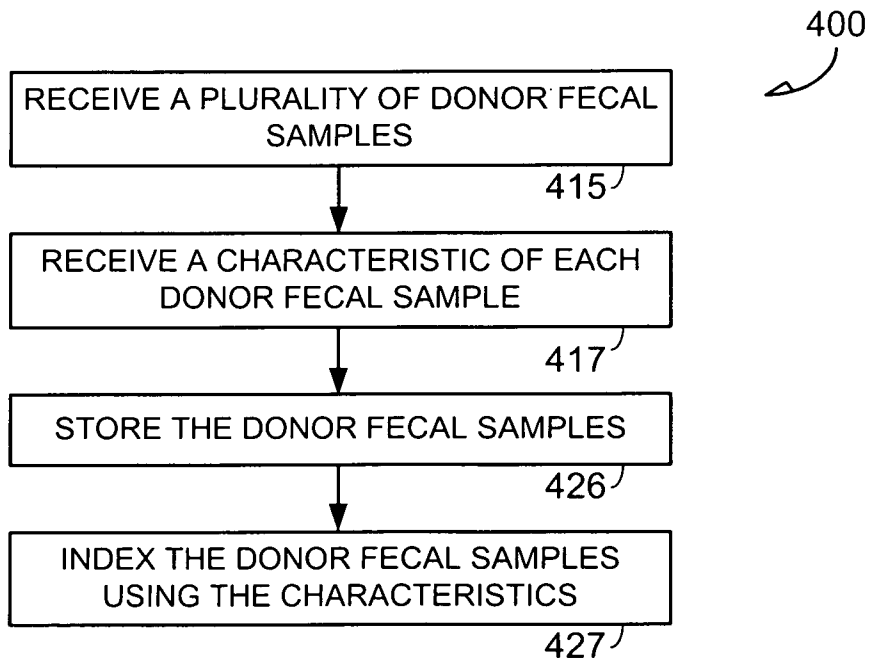


FIG. 4

## INTERNATIONAL SEARCH REPORT

International application No.

PCT/US 11/00184

<b>A. CLASSIFICATION OF SUBJECT MATTER</b> IPC(8) - C12N 1/12 (2011.01) USPC - 435/252.1 According to International Patent Classification (IPC) or to both national classification and IPC		
<b>B. FIELDS SEARCHED</b> Minimum documentation searched (classification system followed by classification symbols) IPC(8): C12N 1/12 (2011.01) USPC: 435/252.1		
Documentation searched other than minimum documentation to the extent that such documents are included in the fields searched USPC: 435/252.9,252.4,822,30,34;424/934,934.5,247.1		
Electronic data base consulted during the international search (name of data base and, where practicable, search terms used) PubWEST (PGPB,USPT,USOC,EPAB,JPAB); Google Patents; Google Scholar Search terms used: (fecal OR feces OR faeces OR faecal OR stool) (bank\$ OR repositor\$ OR pool\$ OR combin\$) (donor OR subject OR participant OR patient OR volunteer) (irritable bowel syndrome OR IBS OR inflammatory bowel disease OR IBD) diabet\$		
<b>C. DOCUMENTS CONSIDERED TO BE RELEVANT</b>		
Category*	Citation of document, with indication, where appropriate, of the relevant passages	Relevant to claim No.
Y	AAS et al., Recurrent Clostridium difficile Colitis: Case Series Involving 18 Patients Treated with Donor Stool Administered via a Nasogastric Tube, Clin Infect Dis, Vol. 36, (1 March 2003), pp. 580-585, entire document, especially: pg. 581, col. 2, para 4 - pg. 582, col. 2, para 3; pg. 583, Table 2, Table 4	1-21
Y	US 5,443,826 A (BORODY) 22 August 1995 (22.08.1995), entire document, especially: col. 4, ln 14-57; col. 5, ln 43-45	1-31
Y	US 6,428,783 B1 (KHACHATRIAN et al.) 6 August 2002 (06.08.2002), col. 3, ln 26-36; col. 4, ln 53-58	22-31
Y	US 2005/0074441 A1 (COLLINS et al.) 7 April 2005 (07.04.2005), Abstract, para [0160], [0162]	7, 8, 27, 28
<input type="checkbox"/> Further documents are listed in the continuation of Box C. <input type="checkbox"/>		
* Special categories of cited documents: "A" document defining the general state of the art which is not considered to be of particular relevance "E" earlier application or patent but published on or after the international filing date "L" document which may throw doubts on priority claim(s) or which is cited to establish the publication date of another citation or other special reason (as specified) "O" document referring to an oral disclosure, use, exhibition or other means "P" document published prior to the international filing date but later than the priority date claimed "T" later document published after the international filing date or priority date and not in conflict with the application but cited to understand the principle or theory underlying the invention "X" document of particular relevance; the claimed invention cannot be considered novel or cannot be considered to involve an inventive step when the document is taken alone "Y" document of particular relevance; the claimed invention cannot be considered to involve an inventive step when the document is combined with one or more other such documents, such combination being obvious to a person skilled in the art "&" document member of the same patent family		
Date of the actual completion of the international search 24 March 2011 (24.03.2011)		Date of mailing of the international search report <b>08 APR 2011</b>
Name and mailing address of the ISA/US Mail Stop PCT, Attn: ISA/US, Commissioner for Patents P.O. Box 1450, Alexandria, Virginia 22313-1450 Facsimile No. 571-273-3201		Authorized officer: Lee W. Young PCT Helpdesk: 571-272-4300 PCT OSP: 571-272-7774