



US00D378175S

# United States Patent [19] Hamami

[11] Patent Number: **Des. 378,175**

[45] Date of Patent: **\*\*Feb. 25, 1997**

[54] **AUDIO/VIDEO STORAGE UNIT**

4,961,506 10/1990 Lang ..... 211/186 X  
5,083,844 1/1992 Gruenberg et al. .... 312/238 X

[75] Inventor: **Demir Hamami**, Bethesda, Md.

[73] Assignee: **BDI, Becker Designed Inc.**, Chantilly, Va.

*Primary Examiner*—Jeffrey Asch  
*Attorney, Agent, or Firm*—Saidman Designlaw Group

[\*\*] Term: **14 Years**

[57] **CLAIM**

The ornamental design for an audio-video storage unit, as shown and described.

[21] Appl. No.: **52,634**

[22] Filed: **Apr. 4, 1996**

[52] U.S. Cl. .... **D6/479**

[58] Field of Search ..... D6/477-479, 473,  
D6/474, 467, 468, 484, 487, 482; 211/186,  
135; 248/174; 108/184; 312/238, 223.1

**DESCRIPTION**

FIG. 1 is a perspective view of an audio/video storage unit showing my new design;  
FIG. 2 is a front view in elevation thereof;  
FIG. 3 is a rear view thereof;  
FIG. 4 is a top view thereof;  
FIG. 5 is a bottom view thereof;  
FIG. 6 is a right side view thereof, the left side view being a mirror image;  
FIG. 7 is a perspective view of a second embodiment of my design, the top and bottom views being identical to FIGS. 4 & 5, respectively;  
FIG. 8 is a front view in elevation thereof;  
FIG. 9 is a rear view thereof; and,  
FIG. 10 is a right side view thereof, the left side view being a mirror image.

[56] **References Cited**

**U.S. PATENT DOCUMENTS**

|            |         |                      |       |           |
|------------|---------|----------------------|-------|-----------|
| D. 271,646 | 12/1983 | Thompson             | ..... | D6/479    |
| D. 294,787 | 3/1988  | Berry, Jr.           | ..... | D6/479 X  |
| D. 300,701 | 4/1989  | Jonker               | ..... | D6/474    |
| D. 325,137 | 4/1992  | Porter               | ..... | D6/479    |
| D. 333,749 | 3/1993  | Leonard              | ..... | D6/467 X  |
| D. 335,051 | 4/1993  | Ossip                | ..... | D6/479 X  |
| D. 371,259 | 7/1996  | Herbst               | ..... | D6/479    |
| 3,648,627  | 3/1972  | Schliemann et al.    | ..... | 211/186 X |
| 4,056,897  | 11/1977 | Pearce et al.        | ..... | 108/184 X |
| 4,182,244  | 1/1980  | Hutchins, Jr. et al. | ..... | 248/174   |

**1 Claim, 8 Drawing Sheets**

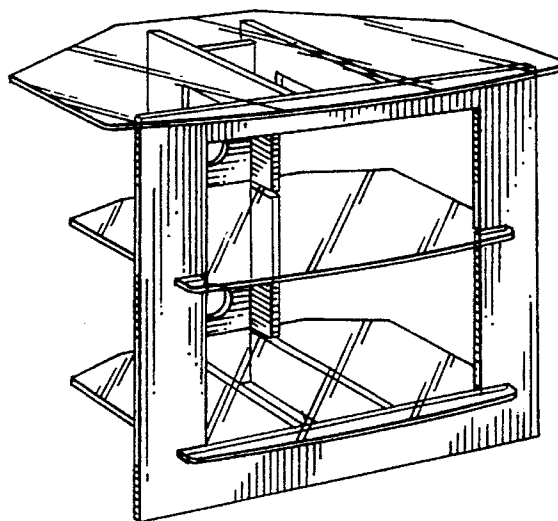
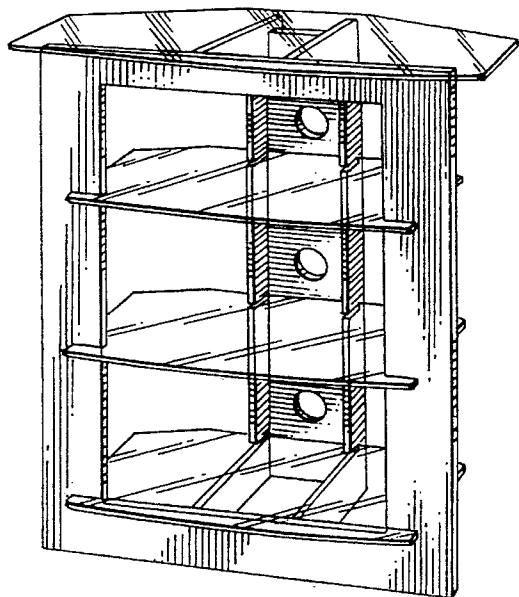
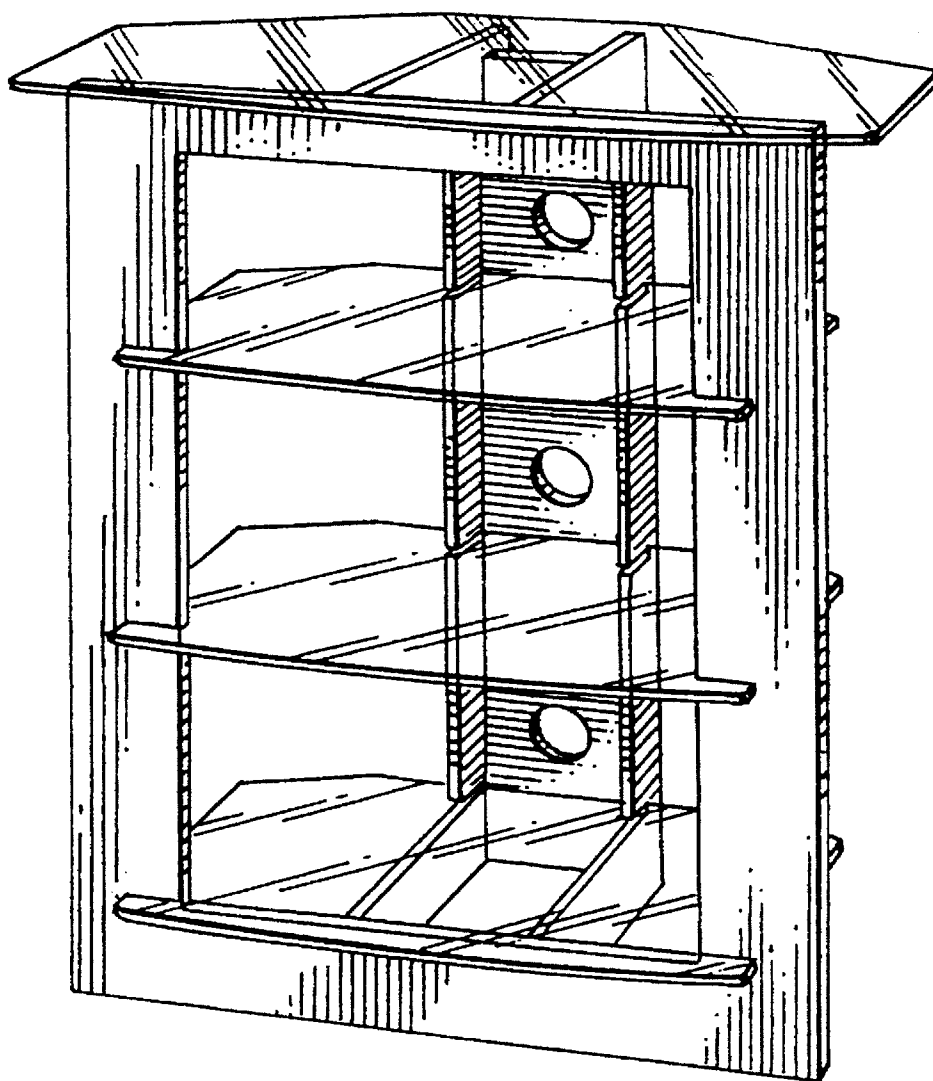


Fig. 1



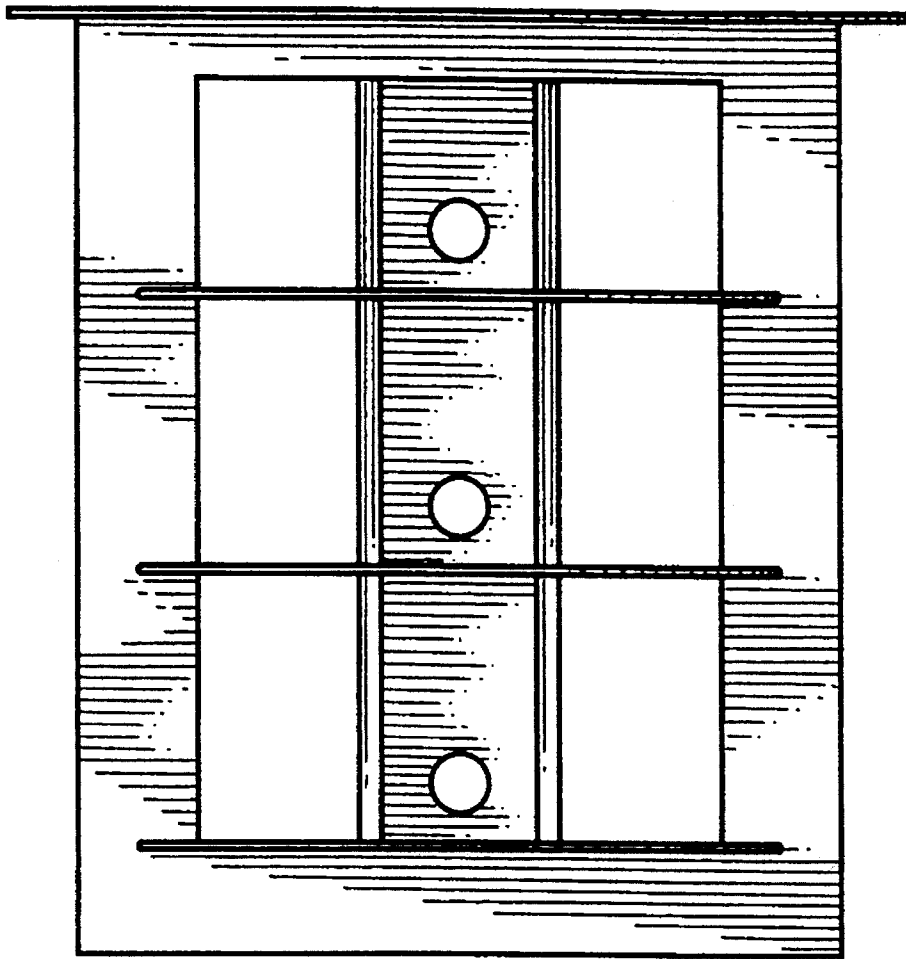


Fig.2

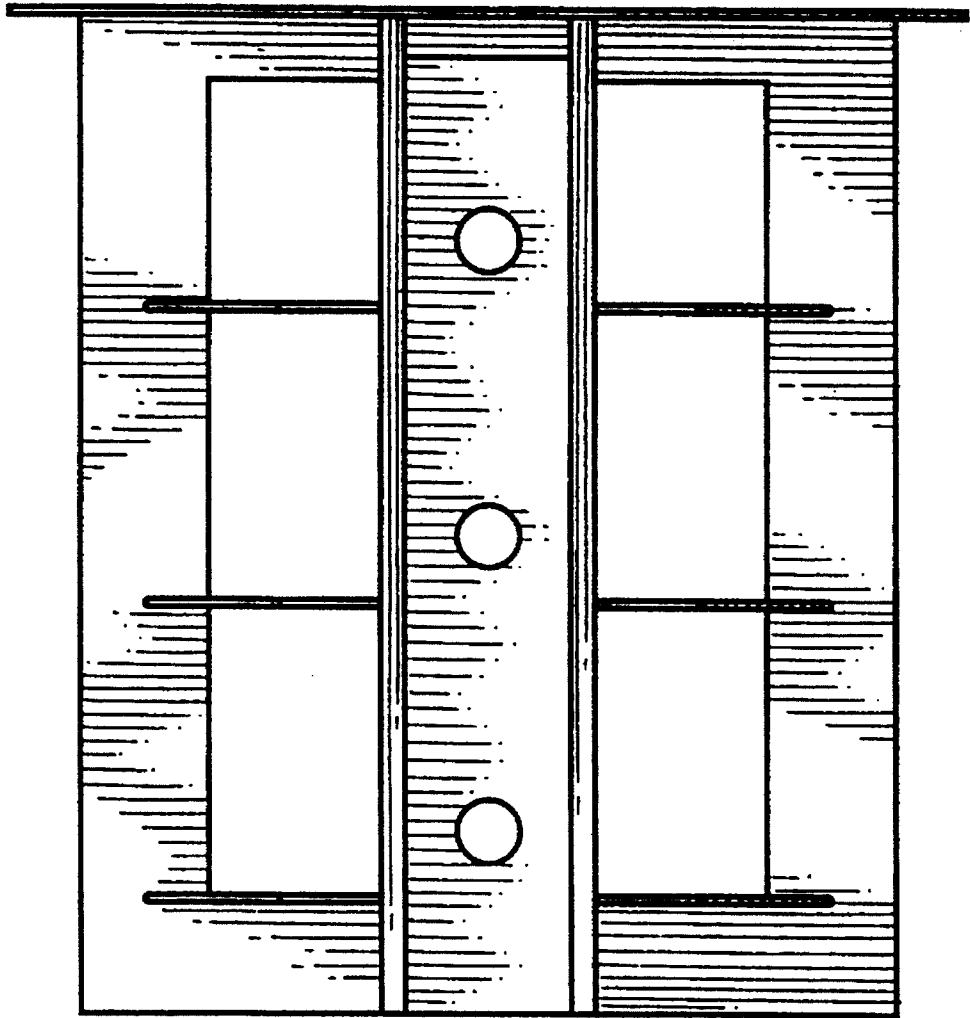


Fig.3

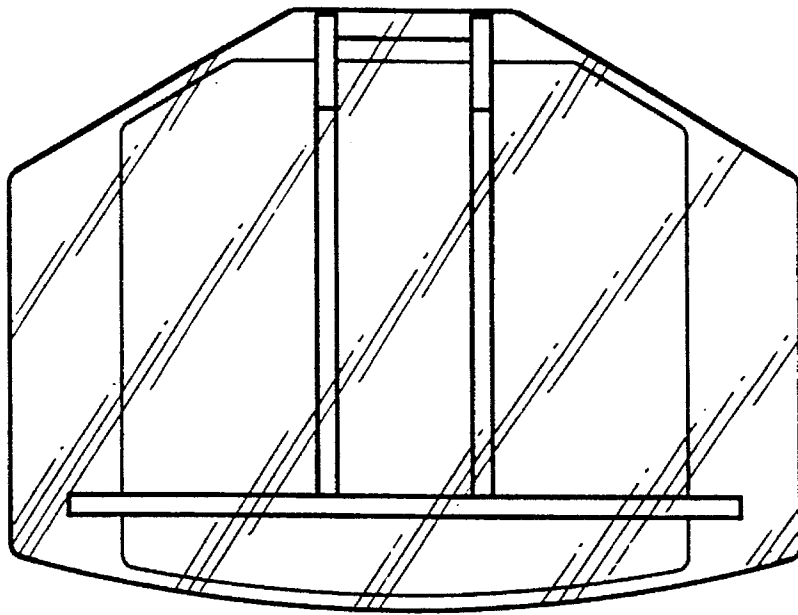


Fig.4

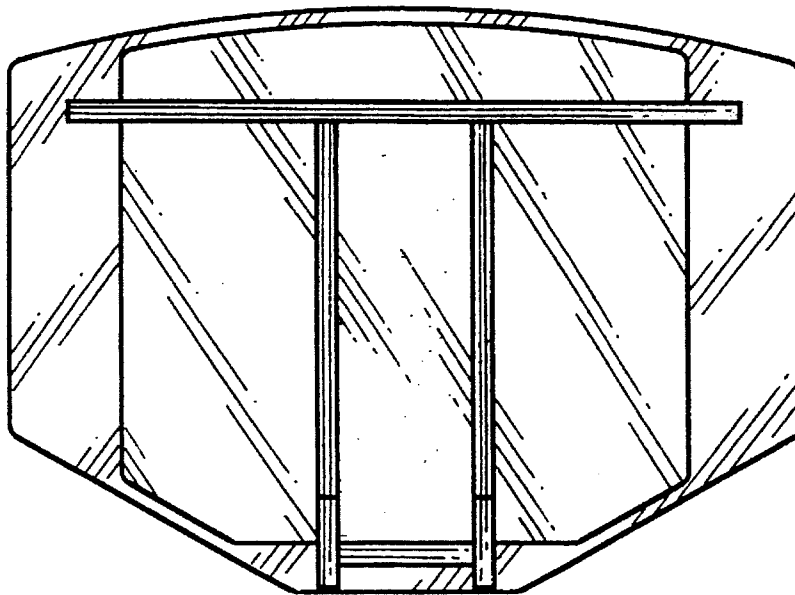


Fig.5

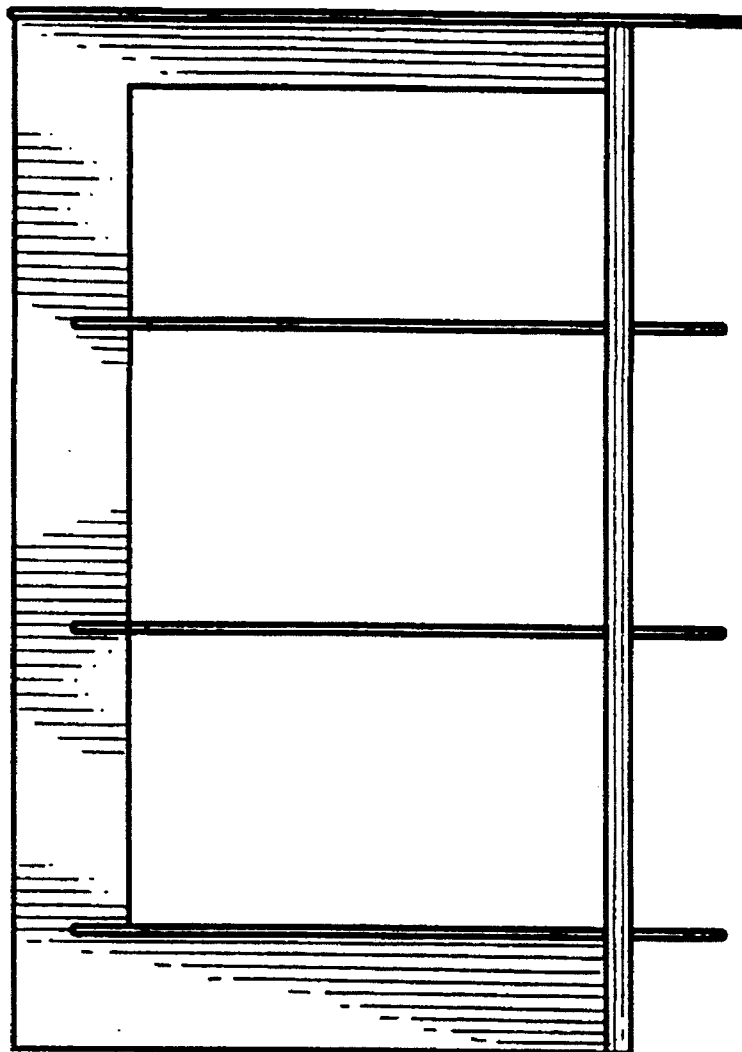
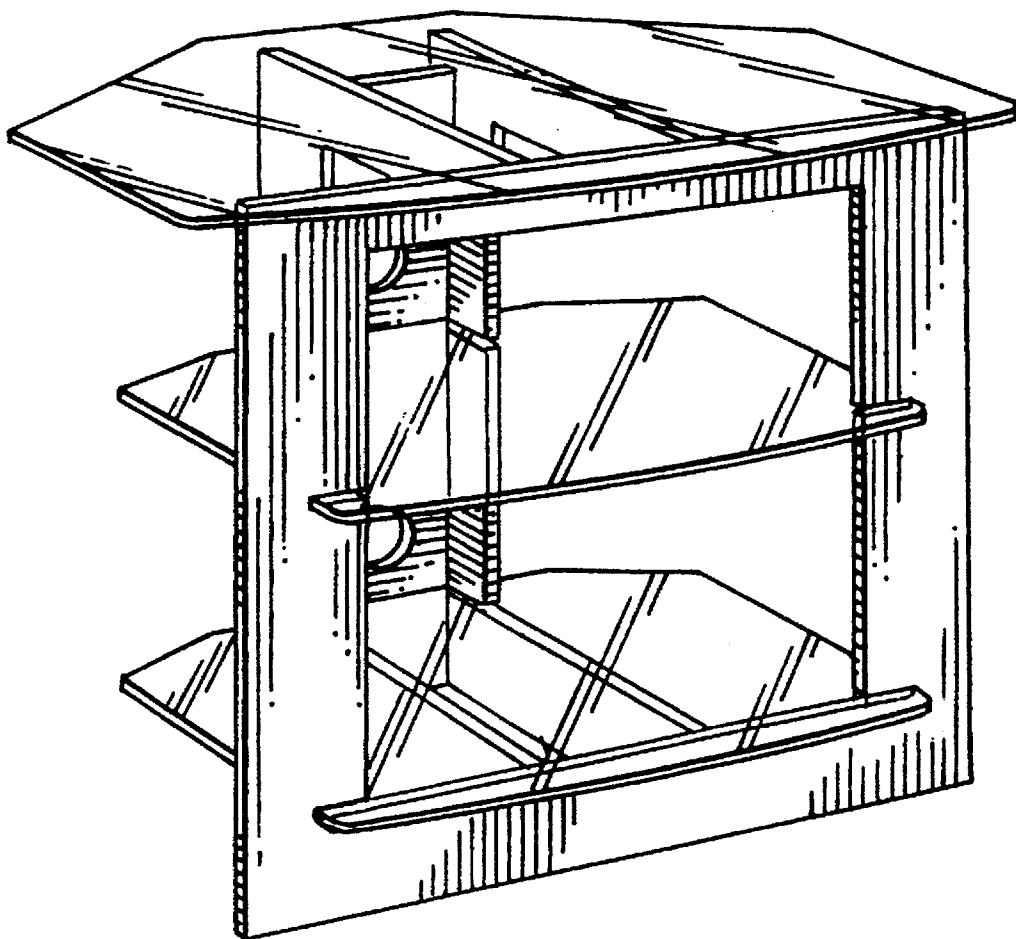


Fig.6

Fig. 7



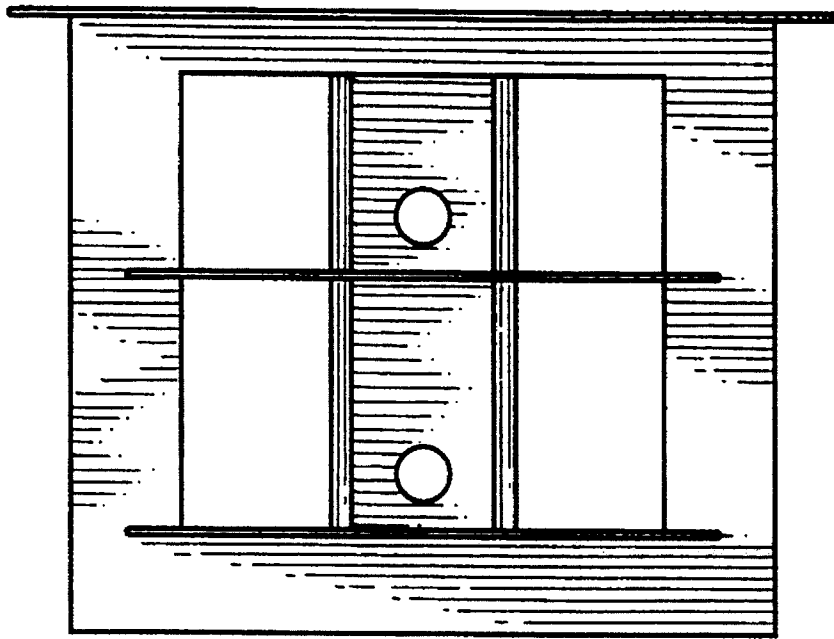


Fig. 8

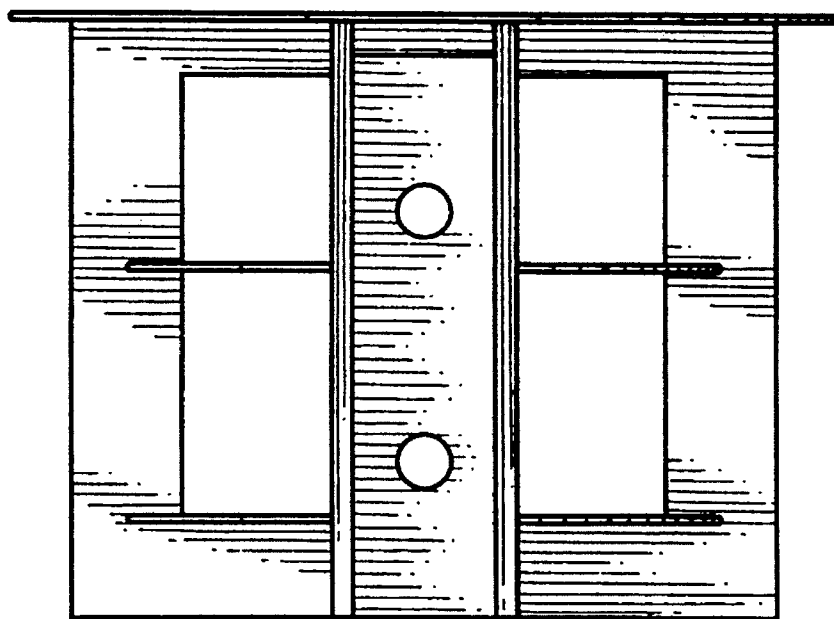


Fig. 9



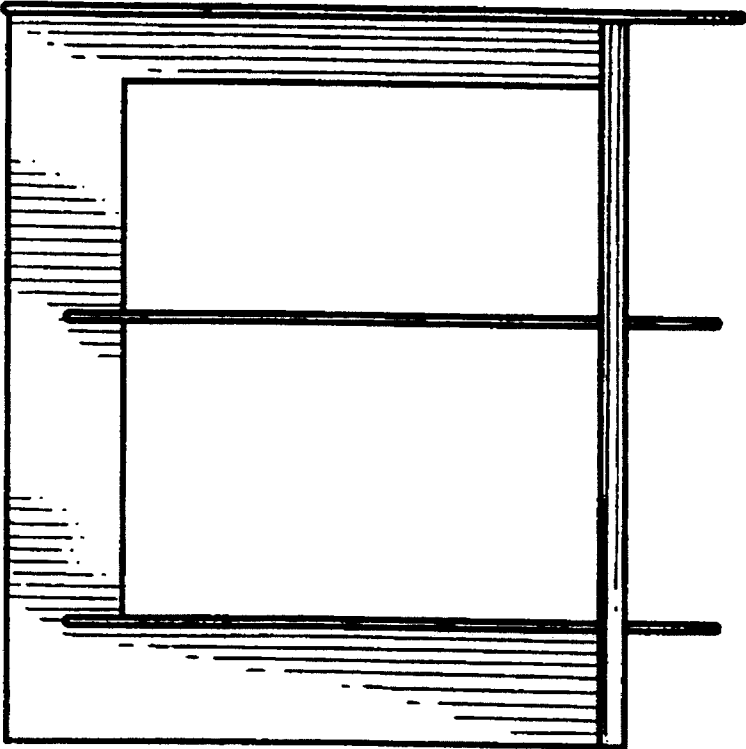


Fig. 10

UNITED STATES PATENT AND TRADEMARK OFFICE  
**CERTIFICATE OF CORRECTION**

PATENT NO. : Des. 378,175

Page 1 of 2

DATED : February 25, 1997

INVENTOR(S) : Demir HAMAMI

It is certified that error appears in the above-identified patent and that said Letters Patent is hereby corrected as shown below:

**Item [56] under "References Cited" should**  
listed the following additional references:

U.S. PATENT DOCUMENTS:

|            |         |        |
|------------|---------|--------|
| D. 363,626 | 10/1995 | Herbst |
| D. 371,472 | 7/1996  | Herbst |

OTHER PUBLICATIONS

Audio Magic Productions MS-4 rack, Home Theatre, May 1996, p. 64.  
Atlantis Reference audio rack, Home Theatre, May 1996, p. 70.  
Lovan Sovereign AVR video rack, Home Theatre, May 1996, p. 72.  
Target D5A component rack, Home Theatre, May 1996, p. 74.

UNITED STATES PATENT AND TRADEMARK OFFICE  
**CERTIFICATE OF CORRECTION**

PATENT NO. : Des. 378,175  
DATED : February 25, 1997  
INVENTOR(S) : Demir HAMAMI

Page 2 of 2

It is certified that error appears in the above-identified patent and that said Letters Patent is hereby corrected as shown below:

Bell'Oggetti B-708 Arco TV stand, Home  
Theatre Buyer's Guide, Summer 1996, p. 122.  
nomi Designs, Contemporary Home Entertainment  
Furniture brochure, Models BRAVO, CELLO,  
TEMPO, CONCERTO & FUTURO

Signed and Sealed this  
Sixth Day of October, 1998

Attest:



BRUCE LEHMAN

Attesting Officer

Commissioner of Patents and Trademarks