



US00D715100S

(12) **United States Design Patent**  
**Eyal**

(10) **Patent No.:** **US D715,100 S**

(45) **Date of Patent:** **\*\* Oct. 14, 2014**

- (54) **BEVERAGE CONTAINER**
- (71) Applicant: **ETS Express, Inc.**, Oxnard, CA (US)
- (72) Inventor: **Sharon Eyal**, Oxnard, CA (US)
- (73) Assignee: **ETS Express, Inc.**, Oxnard, CA (US)
- (\*\*) Term: **14 Years**
- (21) Appl. No.: **29/469,939**
- (22) Filed: **Oct. 16, 2013**
- (51) **LOC (10) Cl.** ..... **07-01**
- (52) **U.S. Cl.**  
USPC ..... **D7/510**
- (58) **Field of Classification Search**  
CPC ..... A47G 19/22-19/2211; A47G  
19/2266-19/2272  
USPC ..... D7/509-511, 392.1, 392.2, 523, 532,  
D7/396.1-396.3, 900; 220/703, 705, 710,  
220/711, 713, 715, 592.16, 592.17;  
D9/447, 453  
See application file for complete search history.

D535,152 S *	1/2007	Gluck	.....	D7/523
D571,152 S *	6/2008	Tien	.....	D7/510
D587,069 S *	2/2009	Bodum	.....	D7/510
D604,103 S *	11/2009	Alviar et al.	.....	D7/533
D634,159 S *	3/2011	Bodum	.....	D7/509
D642,862 S *	8/2011	Tobias	.....	D7/510
D647,760 S *	11/2011	Pearson	.....	D7/510

**OTHER PUBLICATIONS**

Ello Ogden Ceramic Tumbler, Target.com.\*  
Starbucks Stainless Steel & Ceramic Tumbler, Starbucks.com.\*

\* cited by examiner

*Primary Examiner* — Susan Bennett Hattan  
*Assistant Examiner* — Brett Miller  
(74) *Attorney, Agent, or Firm* — Kleinberg & Lerner, LLP;  
Marvin H. Kleinberg; Marshall A. Lerner

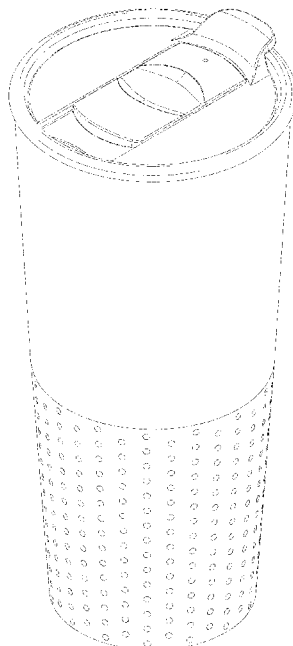
(57) **CLAIM**  
The ornamental design for a beverage container, as shown and described.

**DESCRIPTION**

FIG. 1 is a perspective view of a beverage container showing my new design;  
FIG. 2 is a front view thereof, the rear view being a mirror image;  
FIG. 3 is a right side view of the beverage container of FIG. 1, the left side being a mirror image;  
FIG. 4 is a top plan view thereof; and,  
FIG. 5 is a bottom plan view thereof.  
The broken lines depict portions of the beverage container that form no part of the claimed design.

**1 Claim, 3 Drawing Sheets**

- (56) **References Cited**  
U.S. PATENT DOCUMENTS
- |               |         |            |       |         |
|---------------|---------|------------|-------|---------|
| 5,456,380 A * | 10/1995 | Ito et al. | ..... | 220/713 |
| 6,152,363 A * | 11/2000 | Rule, Jr.  | ..... | 229/403 |
| D488,672 S *  | 4/2004  | Oas        | ..... | D7/507  |
| D492,547 S *  | 7/2004  | Hsu        | ..... | D7/523  |
| D530,153 S *  | 10/2006 | Karp       | ..... | D7/510  |
| D533,402 S *  | 12/2006 | Bin        | ..... | D7/510  |



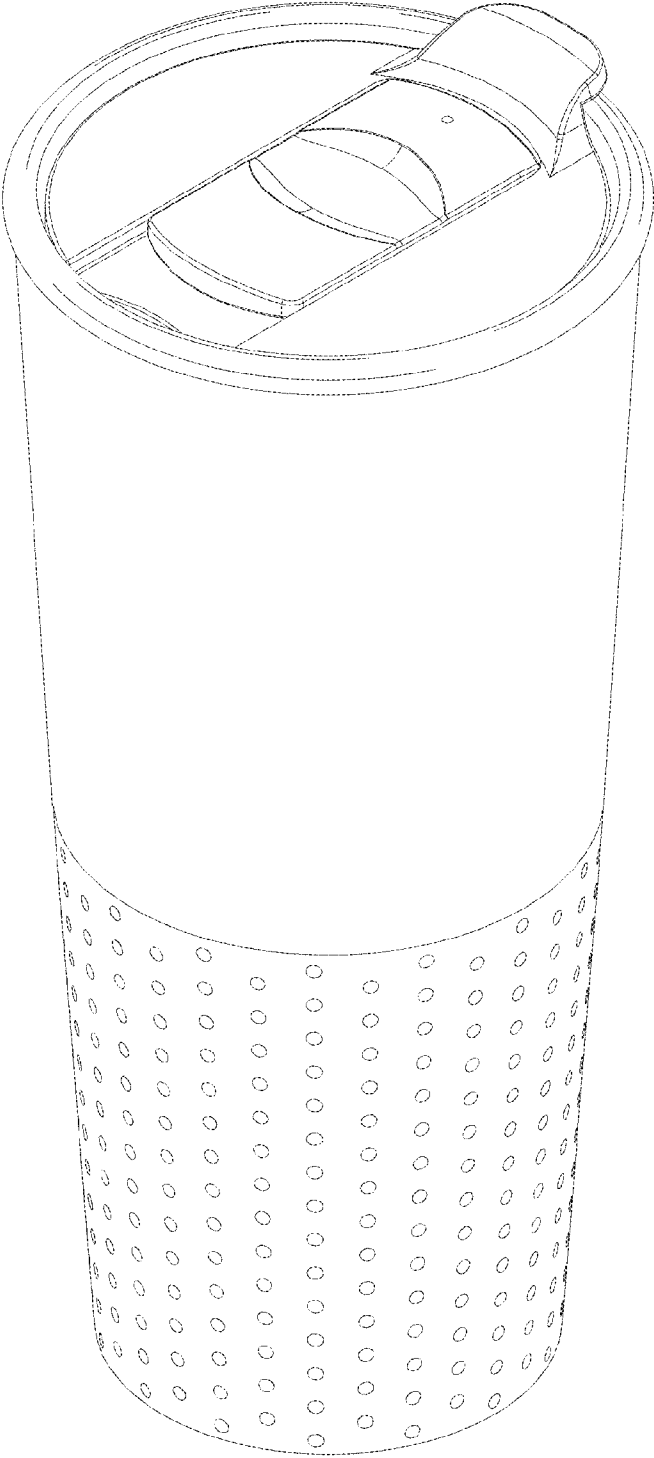


FIG 1

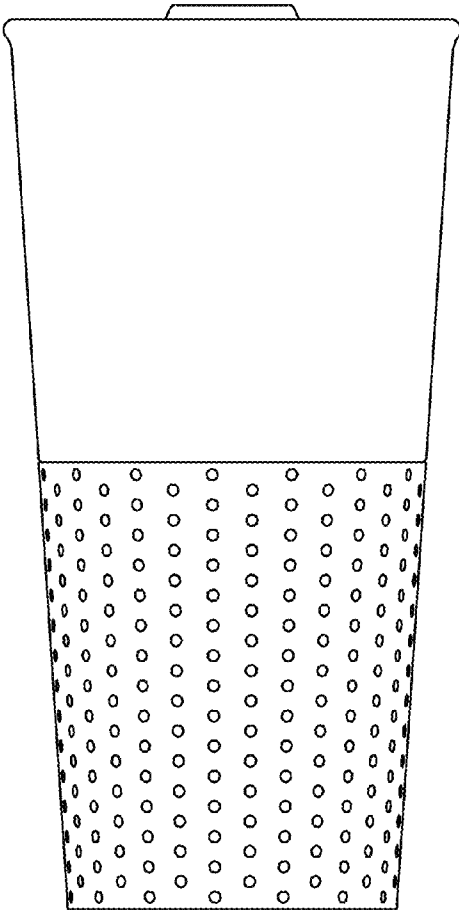


FIG 2

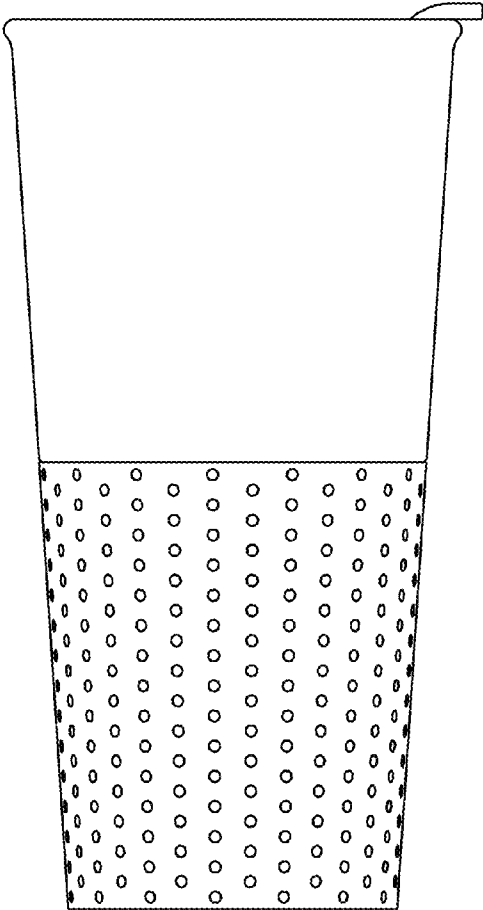


FIG 3

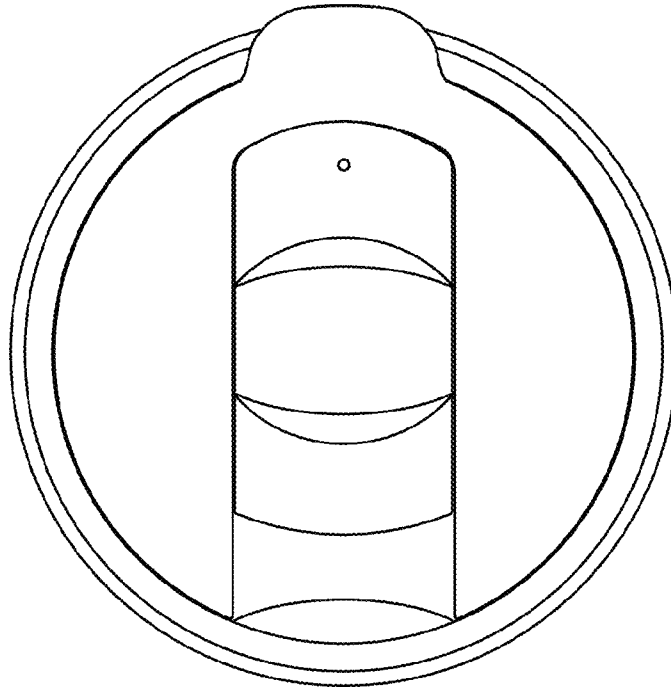


FIG 4

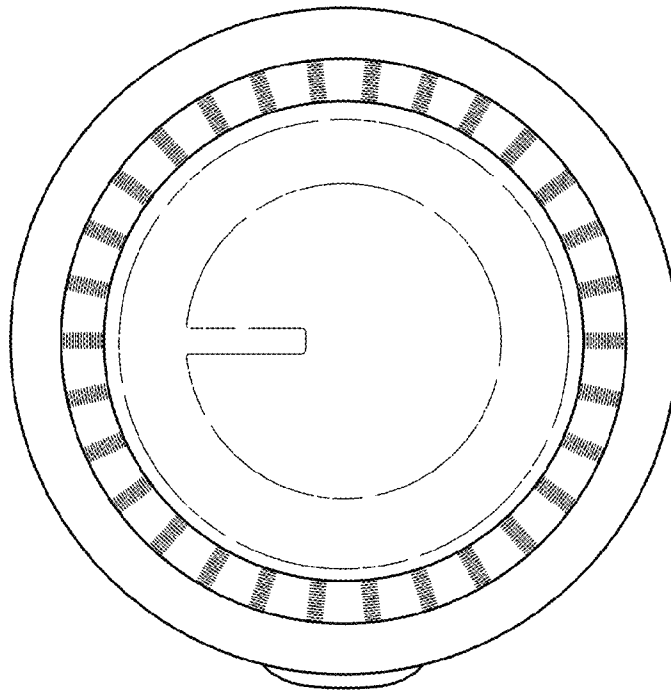


FIG 5