



US00D810831S

(12) **United States Design Patent**  
**Ali et al.**

(10) **Patent No.:** **US D810,831 S**  
(45) **Date of Patent:** **\*\* Feb. 20, 2018**

- (54) **ADAPTER FOR A VIDEO GAME CONTROLLER**
- (71) Applicant: **COLLECTIVE MINDS GAMING CO. LTD.**, Maple Ridge (CA)
- (72) Inventors: **Darren Ali**, Maple Ridge (CA); **Ken Dornbusch**, Maple Ridge (CA)
- (73) Assignee: **COLLECTIVE MINDS GAMING CO. LTD.**, Maple Ridge (CA)
- (\*\*) Term: **15 Years**
- (21) Appl. No.: **29/556,702**
- (22) Filed: **Mar. 2, 2016**
- (51) **LOC (11) Cl.** ..... **21-01**
- (52) **U.S. Cl.**  
USPC ..... **D21/333**; D14/401
- (58) **Field of Classification Search**  
USPC ..... D14/399-401, 412-416; D21/324, 333;  
273/148 B; 463/1, 29-39, 46, 47;  
345/156-161, 905  
CPC ..... A63F 13/02; A63F 13/00; A63F 11/00;  
A63F 3/00; A63F 9/00; G06F 17/00;  
G06F 19/00; G06F 17/32; G06F 3/00  
See application file for complete search history.

- D708,675 S \* 7/2014 Delrue ..... D21/333
- D733,802 S \* 7/2015 Burgess ..... D14/401
- D752,150 S \* 3/2016 Young ..... D14/401
- D752,688 S \* 3/2016 Jensen ..... D21/328
- D777,260 S \* 1/2017 Burgess ..... D21/333
- D778,989 S \* 2/2017 Ali ..... D21/333

\* cited by examiner

*Primary Examiner* — Prabhakar G Deshmukh  
(74) *Attorney, Agent, or Firm* — Bennett Jones LLP

(57) **CLAIM**

The ornamental design for an adapter for a video game controller, as shown and described.

**DESCRIPTION**

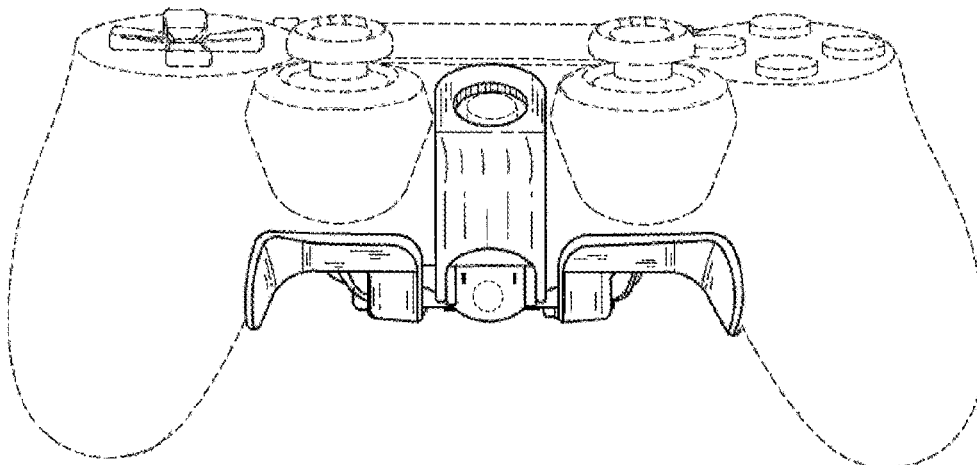
FIG. 1 is a front elevational view of an adapter for a video game controller showing my new design;  
 FIG. 2 is a top plan view of FIG. 1;  
 FIG. 3 is a bottom plan view of FIG. 1;  
 FIG. 4 is a rear elevation view of FIG. 1;  
 FIG. 5 is an enlarged top plan view of the adapter shown separately for clarity;  
 FIG. 6 is a left side elevational view of FIG. 5, the right side elevational view being a mirror image thereof;  
 FIG. 7 is a front elevational view of FIG. 5; and,  
 FIG. 8 is a rear elevational view of FIG. 5.  
 In FIGS. 1, 3, 4, 5, 7, and 8 all broken lines within the boundaries of the adapter shown in solid lines represent parts of the adapter that do not form part of the claimed design, and that are shown for illustrative purposes only. In FIGS. 1 to 4, all other broken lines represent the environment of the video game controller, which does not form part of the claimed design and that is shown for illustrative purposes only.

**1 Claim, 8 Drawing Sheets**

(56) **References Cited**

**U.S. PATENT DOCUMENTS**

- 5,883,690 A \* 3/1999 Meyers ..... A63F 13/02  
345/157
- 6,811,491 B1 \* 11/2004 Levenberg ..... A63F 13/02  
273/148 B
- 7,762,553 B2 \* 7/2010 Harris ..... A63F 13/02  
273/148 B
- D638,017 S \* 5/2011 Ortiz ..... D14/401
- D706,874 S \* 6/2014 Ngoy ..... D21/329



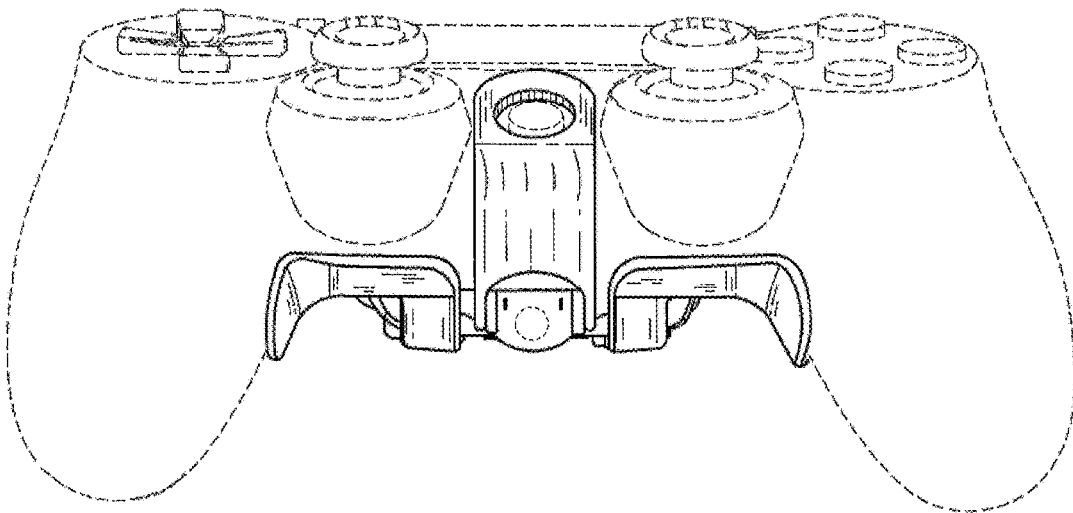


FIG. 1

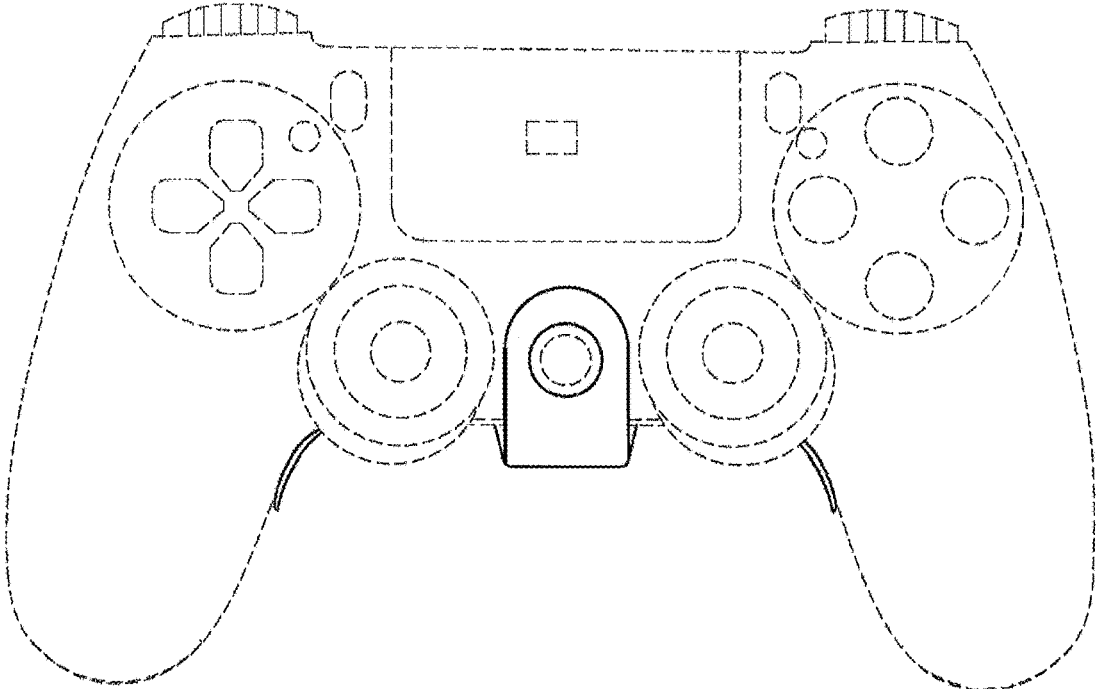


FIG. 2

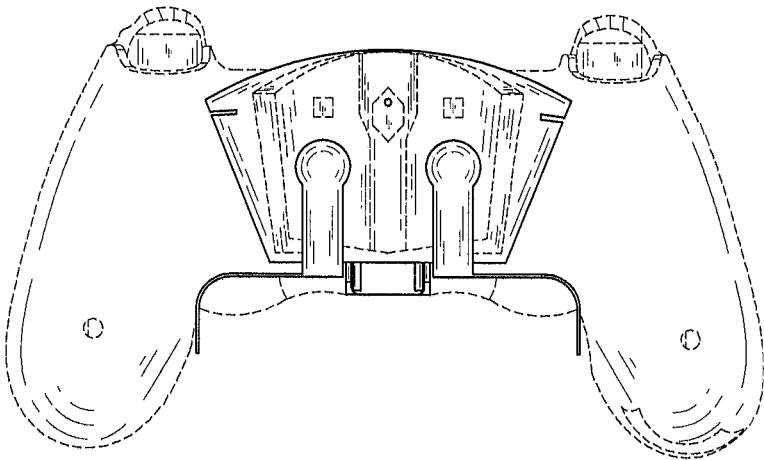


FIG. 3

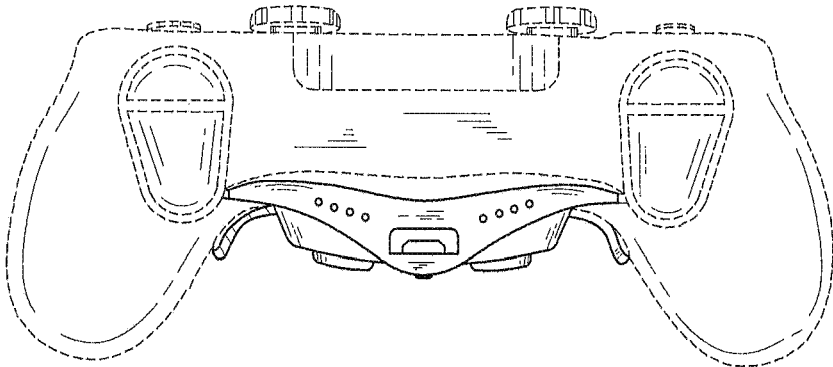


FIG. 4

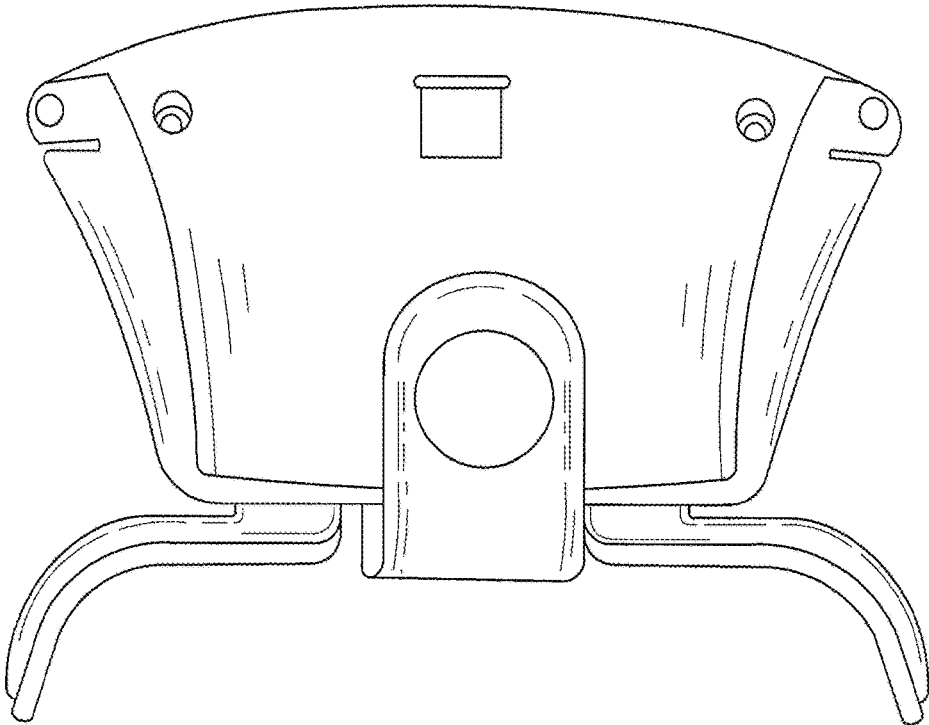


FIG. 5

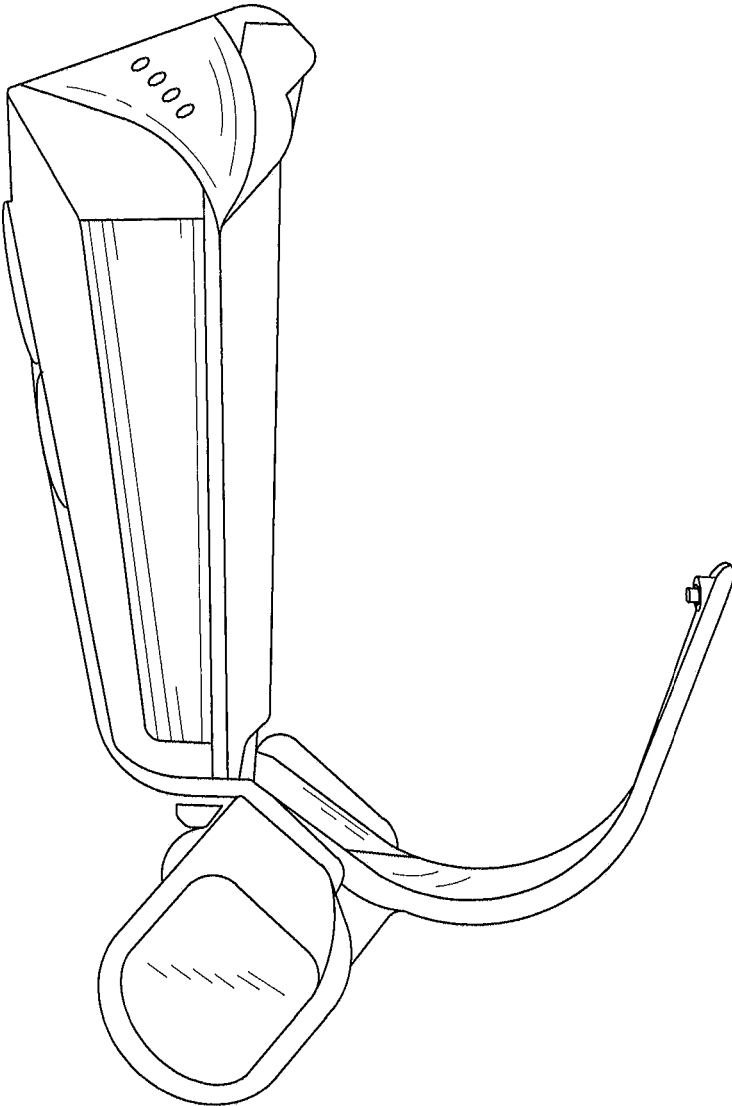


FIG. 6

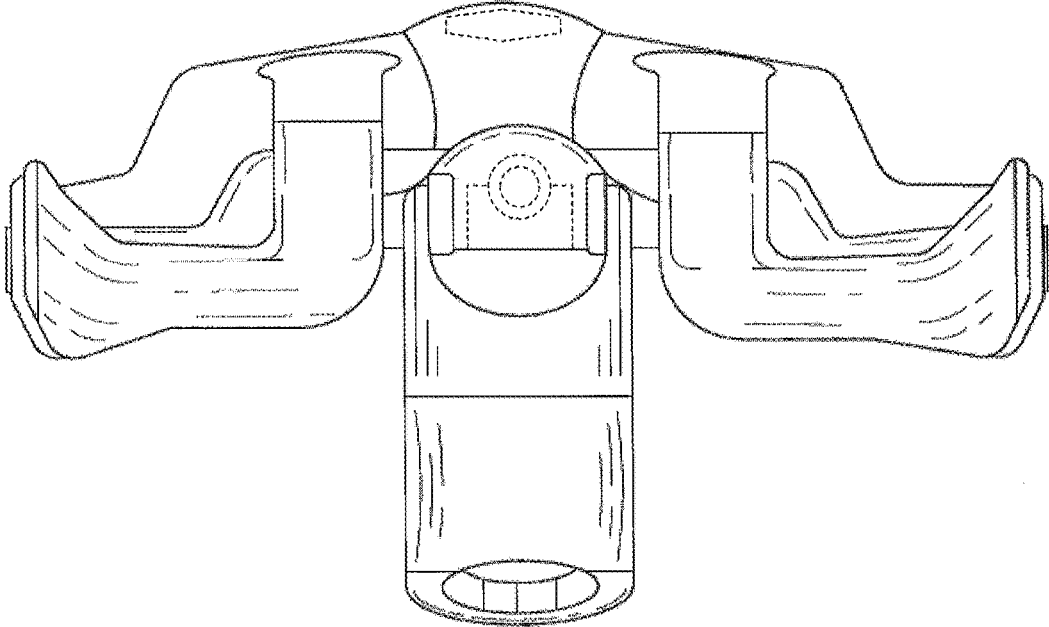


FIG. 7



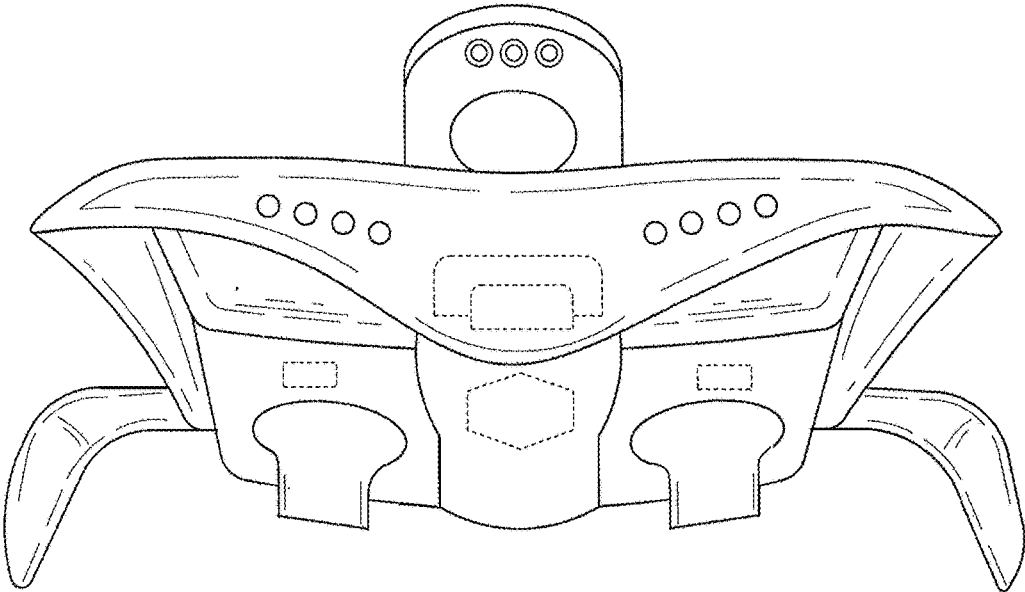


FIG. 8