



(12) **United States Design Patent**
Yoon et al.

(10) **Patent No.:** **US D858,012 S**
(45) **Date of Patent:** **** Aug. 27, 2019**

- (54) **WASHING MACHINE**
- (71) Applicant: **SAMSUNG ELECTRONICS CO., LTD.**, Suwon-si, Gyeonggi-do (KR)
- (72) Inventors: **Sanghun Yoon**, Seoul (KR); **Yuna Park**, Seoul (KR); **Myunggyu Kim**, Seoul (KR); **Ahjung Joo**, Seoul (KR)
- (73) Assignee: **SAMSUNG ELECTRONICS CO., LTD.**, Gyeonggi-Do (KR)
- (**) Term: **15 Years**

| | | |
|------------|---------|------------------|
| D359,602 S | 6/1995 | Swartz et al. |
| D360,500 S | 7/1995 | Millet et al. |
| D374,954 S | 10/1996 | Katz et al. |
| D380,883 S | 7/1997 | Katz et al. |
| D457,991 S | 5/2002 | Baldwin et al. |
| D465,308 S | 11/2002 | Resuello et al. |
| D470,632 S | 2/2003 | Oda |
| D489,496 S | 5/2004 | Sneddon |
| D491,324 S | 6/2004 | Kim et al. |
| D492,073 S | 6/2004 | Sneddon |
| D516,258 S | 2/2006 | Matsusaki et al. |
| D517,257 S | 3/2006 | Kim et al. |
| D519,692 S | 4/2006 | Jun |
| D524,000 S | 6/2006 | Kim et al. |

(Continued)

- (21) Appl. No.: **29/656,438**
- (22) Filed: **Jul. 12, 2018**

FOREIGN PATENT DOCUMENTS

| | | |
|----|-------------|---------|
| CN | 303423821 S | 10/2015 |
| KR | 300387514 S | 7/2005 |
| KR | 300768037 S | 11/2014 |

Related U.S. Application Data

- (63) Continuation of application No. 29/590,790, filed on Jan. 13, 2017, now Pat. No. Des. 825,867.

Primary Examiner — Michelle E. Wilson

(74) *Attorney, Agent, or Firm* — Cantor Colburn LLP

(30) **Foreign Application Priority Data**

Nov. 29, 2016 (KR) 30-2016-0057634

(57) **CLAIM**

We claim the ornamental design for a washing machine, as shown and described.

- (51) **LOC (12) Cl.** **15-05**
- (52) **U.S. Cl.**
USPC **D32/6**

DESCRIPTION

- (58) **Field of Classification Search**
USPC D32/1, 5, 6, 8, 12, 25, 28, 29
CPC D06F 33/02; D06F 39/02; D06F 2204/065;
D06F 25/00; D06F 35/006; D06F 58/00;
D06F 58/02; D06F 58/04; D06F 58/20;
D06F 23/04; G05B 19/042
See application file for complete search history.

FIG. 1 is the front perspective view of a washing machine showing our new design;
FIG. 2 is the front view thereof;
FIG. 3 is the rear view thereof;
FIG. 4 is the left-side view thereof;
FIG. 5 is the right-side view thereof;
FIG. 6 is the top view thereof; and,
FIG. 7 is the bottom view thereof.

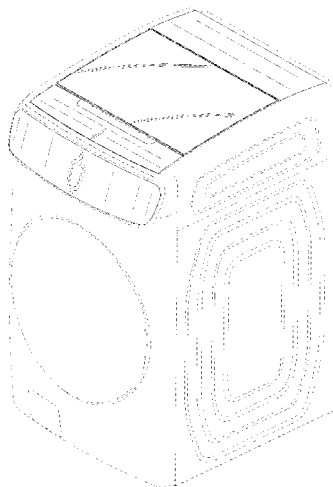
(56) **References Cited**

U.S. PATENT DOCUMENTS

| | | |
|-------------|---------|--------------|
| 4,307,588 A | 12/1981 | Smith et al. |
| 4,429,817 A | 2/1984 | Ikeda |

The broken lines in the figures depict environmental subject matter and form no part of the claimed design. The unshaded surfaces shown between the solid lines and the broken lines form no part of the claim.

1 Claim, 7 Drawing Sheets



(56)

References Cited

U.S. PATENT DOCUMENTS

| | | | | | | |
|------------|---------|-----------------|------------|-----------|---------------|--------|
| D526,453 S | 8/2006 | Jun | D733,372 S | 6/2015 | Song et al. | |
| D527,150 S | 8/2006 | Jun | D739,096 S | 9/2015 | Qin et al. | |
| D527,853 S | 9/2006 | Carey et al. | D739,097 S | 9/2015 | Qin et al. | |
| D528,712 S | 9/2006 | Ha et al. | D742,602 S | 11/2015 | Kim | |
| D528,713 S | 9/2006 | Ha et al. | D746,521 S | 12/2015 | Ha et al. | |
| D532,941 S | 11/2006 | Carey et al. | D747,836 S | 1/2016 | Cho et al. | |
| D536,144 S | 1/2007 | Seo et al. | D748,355 S | * 1/2016 | Sim | D32/6 |
| D538,488 S | 3/2007 | Carey et al. | D752,830 S | 3/2016 | Choi et al. | |
| D542,487 S | 5/2007 | Jun | D759,325 S | 6/2016 | Jeon et al. | |
| D542,986 S | 5/2007 | Crookshanks | D759,909 S | 6/2016 | Kim et al. | |
| D542,987 S | 5/2007 | Crookshanks | D759,912 S | * 6/2016 | Bixby | D32/25 |
| D554,307 S | 10/2007 | Kim | D760,454 S | 6/2016 | Joo et al. | |
| D556,394 S | 11/2007 | Kim | D761,503 S | * 7/2016 | Choi | D32/6 |
| D571,964 S | 6/2008 | Kim | D762,021 S | 7/2016 | Qin et al. | |
| D575,012 S | 8/2008 | Rossetto et al. | D762,025 S | 7/2016 | Joo et al. | |
| D575,464 S | 8/2008 | Rossetto et al. | D762,027 S | * 7/2016 | Choi | D32/25 |
| D575,913 S | 8/2008 | Jeon et al. | D764,120 S | 8/2016 | Choi et al. | |
| D577,162 S | 9/2008 | Shail et al. | D764,121 S | 8/2016 | Choi et al. | |
| D588,757 S | 3/2009 | Park et al. | D764,122 S | 8/2016 | Jo | |
| D597,712 S | 8/2009 | Jeon et al. | D764,123 S | 8/2016 | Kim et al. | |
| D617,960 S | 6/2010 | Bohm et al. | D764,722 S | 8/2016 | Jo | |
| D620,650 S | 7/2010 | Lee | D769,553 S | 10/2016 | Lee | |
| D625,476 S | 10/2010 | Lee et al. | D770,103 S | 10/2016 | Ha et al. | |
| D626,299 S | 10/2010 | Lee et al. | D770,698 S | 11/2016 | Lee et al. | |
| D630,807 S | 1/2011 | Song et al. | D770,705 S | 11/2016 | Kang et al. | |
| D631,215 S | 1/2011 | Song et al. | D770,706 S | 11/2016 | Ha et al. | |
| D631,624 S | 1/2011 | Chung et al. | D770,707 S | 11/2016 | Ha et al. | |
| D632,033 S | 2/2011 | Song et al. | D771,330 S | 11/2016 | Ha et al. | |
| D633,261 S | 2/2011 | Song et al. | D772,499 S | 11/2016 | Yoon et al. | |
| D642,752 S | 8/2011 | Kim | D772,500 S | 11/2016 | Park et al. | |
| D642,753 S | 8/2011 | Ha | D772,502 S | 11/2016 | Choi et al. | |
| D648,084 S | 11/2011 | Browne et al. | D773,128 S | 11/2016 | Kim et al. | |
| D648,085 S | 11/2011 | Miller et al. | D773,753 S | 12/2016 | Kim et al. | |
| D648,497 S | 11/2011 | Bhattacharya | D773,754 S | 12/2016 | Choi et al. | |
| D648,907 S | 11/2011 | Jeon et al. | D773,755 S | 12/2016 | Hwang et al. | |
| D649,722 S | 11/2011 | Chung et al. | D773,757 S | 12/2016 | Hwang et al. | |
| D653,006 S | 1/2012 | Takahashi | D774,714 S | 12/2016 | Kang et al. | |
| D654,640 S | 2/2012 | Song et al. | D774,715 S | 12/2016 | Kim et al. | |
| D658,340 S | 4/2012 | Jeon et al. | D774,716 S | 12/2016 | Kim | |
| D659,307 S | 5/2012 | Geyer et al. | D787,759 S | 5/2017 | Geyer et al. | |
| D661,852 S | 6/2012 | Song et al. | D795,512 S | * 8/2017 | Joo | D32/8 |
| D663,907 S | 7/2012 | Jeon et al. | D796,752 S | 9/2017 | Bixby et al. | |
| D665,544 S | 8/2012 | Jeon et al. | D798,004 S | 9/2017 | Bixby et al. | |
| D667,179 S | 9/2012 | Jeon et al. | D800,976 S | 10/2017 | Im et al. | |
| D679,462 S | 4/2013 | Zhang et al. | D801,602 S | 10/2017 | Im et al. | |
| D693,973 S | 11/2013 | Geyer et al. | D812,325 S | * 3/2018 | Bixby | D32/8 |
| D694,965 S | 12/2013 | Lee et al. | D824,607 S | * 7/2018 | Bixby | D32/6 |
| D695,474 S | 12/2013 | Calmeise | D825,867 S | 8/2018 | Yoon et al. | |
| D697,680 S | 1/2014 | Hwang et al. | D825,871 S | 8/2018 | Kim et al. | |
| D699,907 S | 2/2014 | Choi et al. | D826,489 S | 8/2018 | Yoon et al. | |
| D701,656 S | 3/2014 | Choi et al. | D831,906 S | 10/2018 | Lidija et al. | |
| D701,657 S | 3/2014 | Chung et al. | D832,534 S | 10/2018 | Ha et al. | |
| D701,658 S | 3/2014 | Chung et al. | D833,091 S | * 11/2018 | Ayers | D32/6 |
| D703,885 S | 4/2014 | Ha et al. | D834,265 S | 11/2018 | Kim et al. | |
| D703,886 S | 4/2014 | Ha et al. | D835,368 S | 12/2018 | Ha et al. | |
| D705,508 S | 5/2014 | Calmeise | D835,865 S | 12/2018 | Lee et al. | |
| D712,603 S | 9/2014 | Geyer et al. | D836,265 S | 12/2018 | Kim et al. | |
| D729,996 S | 5/2015 | Hwang et al. | D839,513 S | * 1/2019 | Ayers | D32/25 |
| D729,998 S | 5/2015 | Jeon et al. | D841,905 S | 2/2019 | Kim et al. | |
| D730,596 S | 5/2015 | Kim et al. | D843,670 S | 3/2019 | Yoon et al. | |
| D732,763 S | 6/2015 | Hwang et al. | D848,092 S | 5/2019 | Yoon et al. | |
| D732,767 S | 6/2015 | Ha et al. | D850,033 S | 5/2019 | Yoon et al. | |
| | | | D850,034 S | 5/2019 | Yoon et al. | |

* cited by examiner

FIG. 1

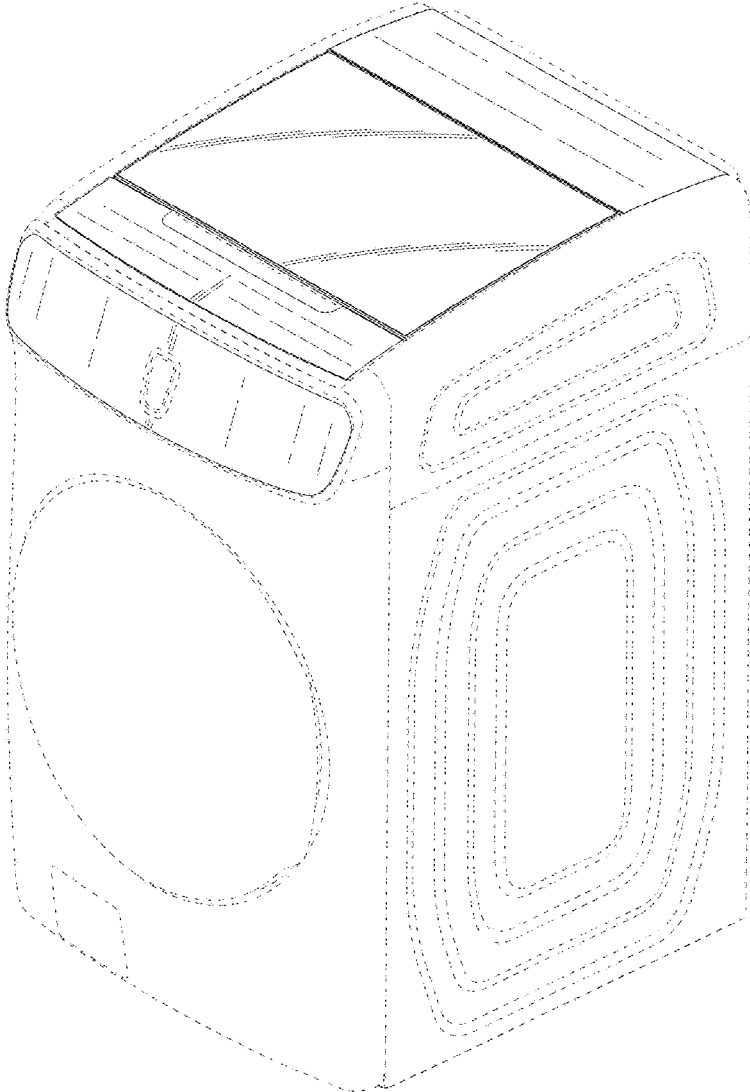


FIG. 2

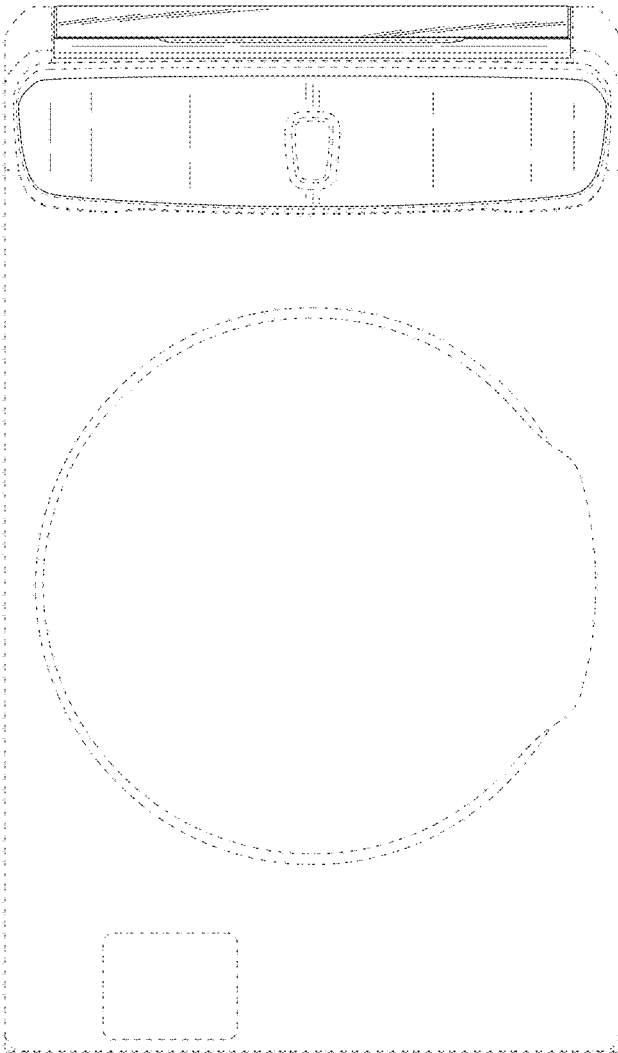


FIG. 3

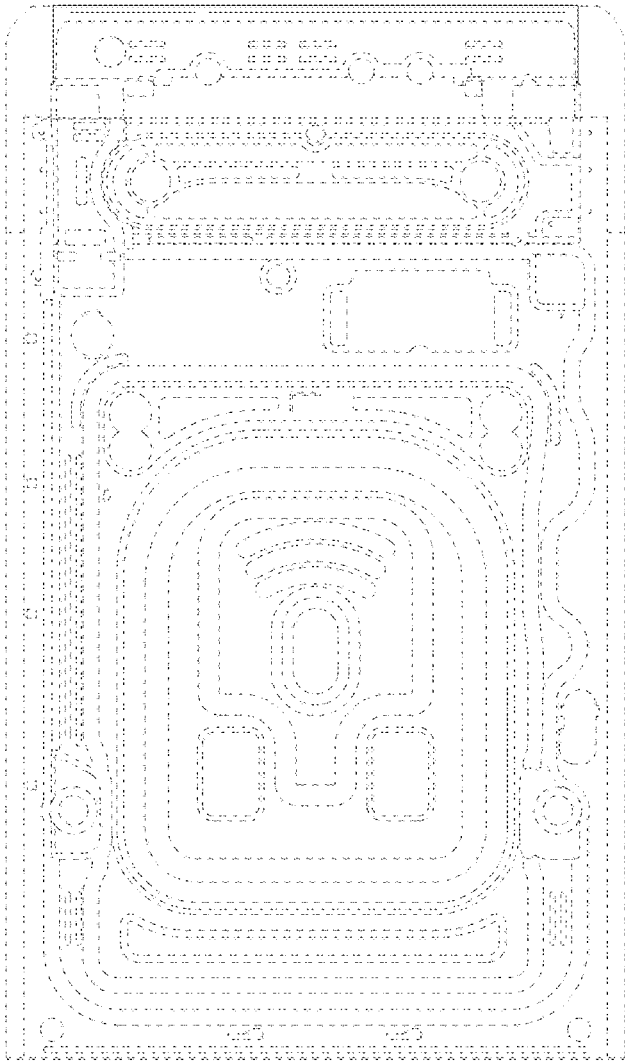


FIG. 4

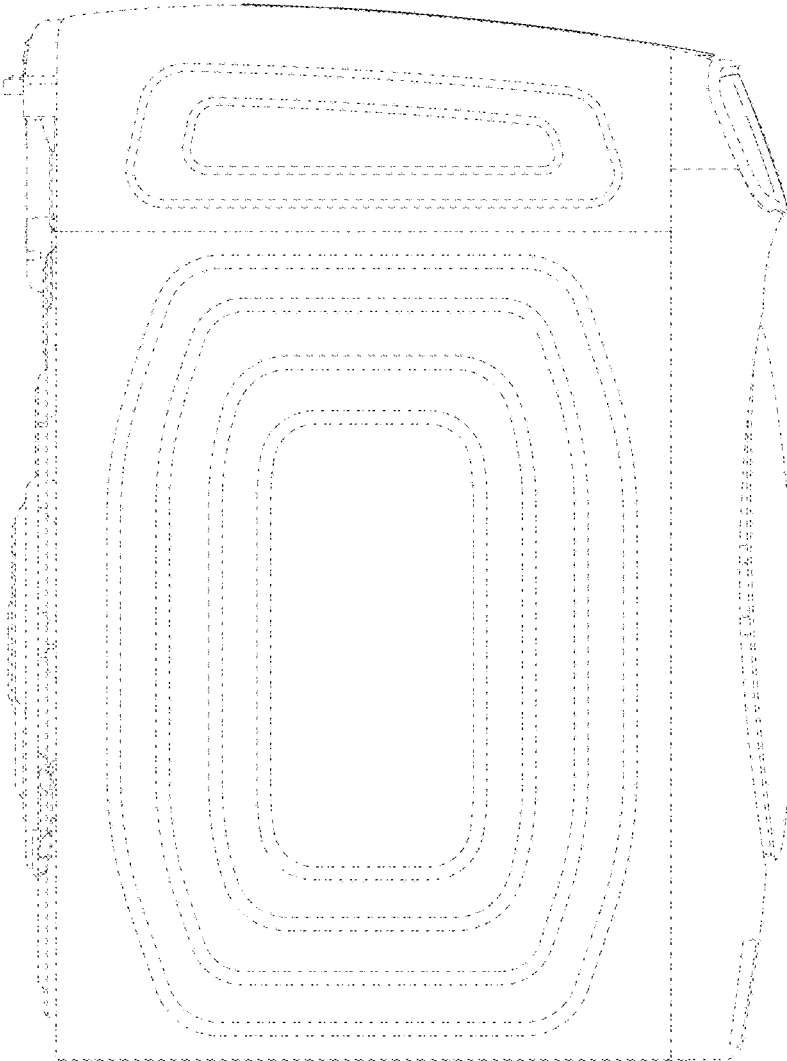


FIG. 5

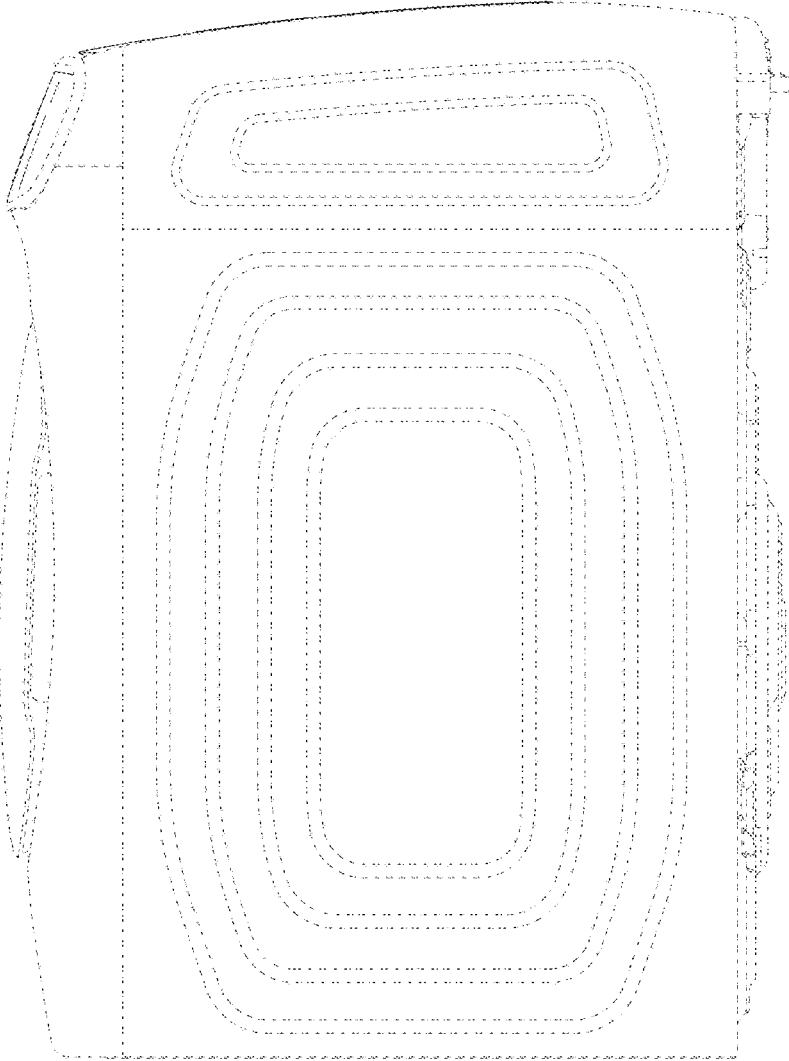


FIG. 6

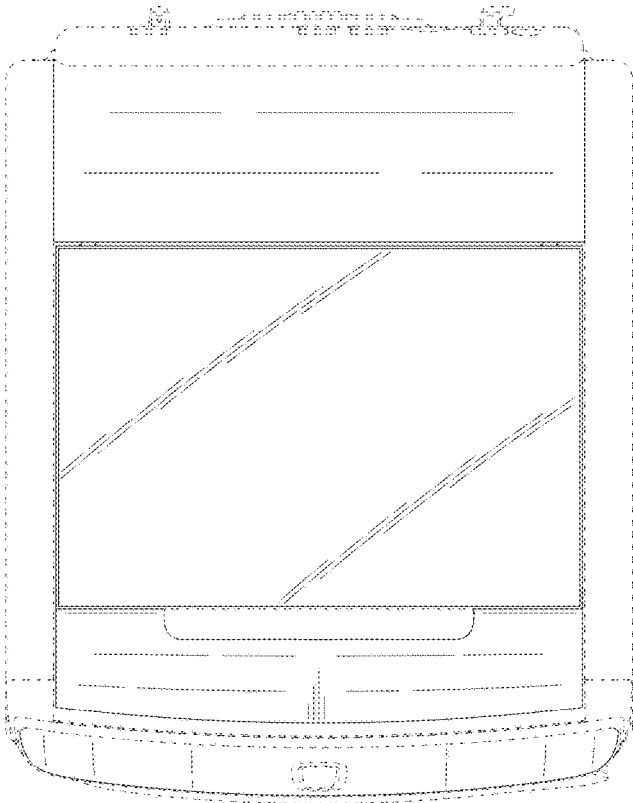


FIG. 7

