



US00D948857S

(12) **United States Design Patent**  
**Nawab et al.**

(10) **Patent No.:** **US D948,857 S**

(45) **Date of Patent:** **\*\* Apr. 19, 2022**

(54) **SHOE HEEL**

(71) Applicant: **iRI in NY Inc.**, New York, NY (US)

(72) Inventors: **Latif Nawab**, Brooklyn, NY (US); **Ka Wai Yeung**, New York, NY (US)

(73) Assignee: **ARIS NYC CORP.**, New York, NY (US)

(\*\*) Term: **15 Years**

(21) Appl. No.: **29/727,799**

(22) Filed: **Mar. 13, 2020**

**Related U.S. Application Data**

(63) Continuation of application No. 29/647,316, filed on May 11, 2018, now Pat. No. Des. 888,382.

(51) **LOC (13) Cl.** ..... **02-04**

(52) **U.S. Cl.**

USPC ..... **D2/965; D2/898**

(58) **Field of Classification Search**

USPC ..... D2/902, 906, 908, 916, 918, 925, D2/946-962, 977, 896-900, 914, 915, D2/964-968, 976; 36/3 B, 22 R, 24.5, 36/25 R, 28, 32 R, 34 R, 59 C, 67 A, 103  
CPC ..... A43B 13/00; A43B 13/02; A43B 13/023; A43B 13/026; A43B 13/04; A43B 13/08; A43B 13/10; A43B 13/12; A43B 13/14; A43B 13/141; A43B 13/143; A43B 13/16; A43B 13/18; A43B 13/181; A43B 13/187; A43B 13/189; A43B 13/20; A43B 13/22; A43B 13/223; A43B 13/24; A43B 13/28; A43B 13/30; A43B 13/32; A43B 13/34; A43B 13/36; A43B 21/00; A43B 21/30; A43B 23/30; A43B 5/12

See application file for complete search history.

(56)

**References Cited**

**U.S. PATENT DOCUMENTS**

622,673 A *	4/1899	Ferrata .....	A43B 7/081
			36/3 B
D64,129 S *	3/1924	Nutt .....	D2/966
D65,273 S *	7/1924	Hill .....	D2/966
D95,054 S *	4/1935	Lovejoy .....	D2/966
D96,043 S *	6/1935	Lovejoy .....	D2/966
D111,852 S *	10/1938	Hurzeler .....	D2/965
2,187,756 A *	1/1940	Schwellenbach .....	A43B 21/00
			36/34 R
D119,381 S *	3/1940	Calderazzo .....	A43B 21/38
			D2/950
D121,195 S *	6/1940	Nutt .....	D2/965
2,208,104 A *	7/1940	Perugia .....	A43B 3/10
			36/92
D122,166 S *	8/1940	Korda .....	D2/966
D122,607 S *	9/1940	Nutt .....	D2/965
D125,888 S *	3/1941	Frederick .....	A43B 21/26
			D2/950
D127,514 S *	5/1941	Bergman .....	D2/918

(Continued)

*Primary Examiner* — T Chase Nelson

(74) *Attorney, Agent, or Firm* — Saliwanchik, Lloyd & Eisenschenk

(57)

**CLAIM**

The ornamental design for a shoe heel, as shown and described.

**DESCRIPTION**

FIG. 1 is a side, perspective view of a shoe heel showing our new design;

FIG. 2 is a bottom, perspective view thereof;

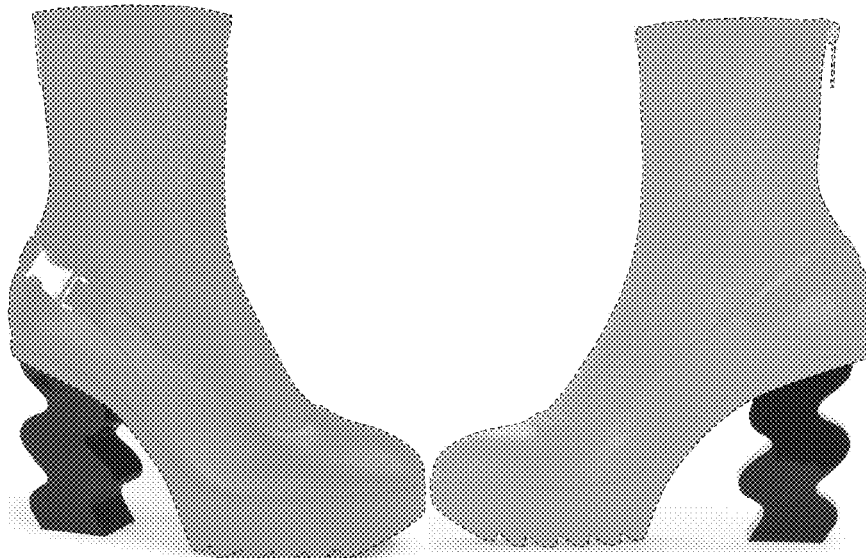
FIG. 3 is a left side view thereof; and,

FIG. 4 is a right side view thereof.

The faded portions within the broken lines and the broken lines themselves illustrate structure or features which form no part of the claimed design.

The drawings include shadows and reflections which indicate contour, not surface ornamentation.

**1 Claim, 4 Drawing Sheets**



(56)

References Cited

U.S. PATENT DOCUMENTS

D129,577 S \* 9/1941 Ausubel ..... D2/966  
 2,284,328 A \* 5/1942 Korda ..... A43B 21/24  
 36/34 R  
 2,399,543 A \* 4/1946 Dack ..... A43B 21/30  
 36/106  
 D145,816 S \* 10/1946 Payne ..... A43B 7/081  
 D2/916  
 D191,298 S \* 9/1961 Fern ..... D2/966  
 D195,715 S \* 7/1963 Schell ..... D2/966  
 D196,705 S \* 10/1963 Crawford ..... D2/966  
 D205,609 S \* 8/1966 Snyman ..... D2/966  
 D216,664 S \* 3/1970 Barberesi ..... D2/965  
 D219,570 S \* 12/1970 Barberesi ..... D2/965  
 D262,329 S \* 12/1981 Mazabras ..... D2/965  
 D517,293 S \* 3/2006 Choi ..... D2/965  
 D584,495 S \* 1/2009 Choi ..... D2/966  
 D595,486 S \* 7/2009 Van Hulle ..... D2/898  
 D699,023 S \* 2/2014 Guers-Neyraud ..... D2/925  
 D730,634 S \* 6/2015 Stiles ..... D2/939  
 9,578,924 B2 \* 2/2017 Rupprecht ..... A43B 7/144

D789,050 S \* 6/2017 Slimane ..... A43B 21/42  
 D2/930  
 D797,419 S \* 9/2017 Haydel ..... D2/950  
 D833,127 S \* 11/2018 Menjor ..... D2/930  
 D883,638 S \* 5/2020 Roth ..... D2/965  
 2002/0133977 A1 \* 9/2002 Pan ..... A43B 21/26  
 36/28  
 2002/0133980 A1 \* 9/2002 Pan ..... A43B 21/42  
 36/100  
 2005/0081401 A1 \* 4/2005 Singleton ..... A43B 17/00  
 36/34 R  
 2007/0062066 A1 \* 3/2007 Cirolia ..... A43B 21/025  
 36/34 R  
 2007/0193064 A1 \* 8/2007 Xu ..... A43B 13/14  
 36/25 R  
 2014/0290100 A1 \* 10/2014 Flowers ..... A43B 21/02  
 36/103  
 2014/0325879 A1 \* 11/2014 Roccella ..... A43B 21/025  
 36/34 R  
 2016/0235163 A1 \* 8/2016 Alander ..... A43B 21/42  
 2017/0119100 A1 \* 5/2017 Yamada ..... A43B 21/38  
 2020/0337415 A1 \* 10/2020 Chen ..... A43B 21/433

\* cited by examiner



*Fig. 1*

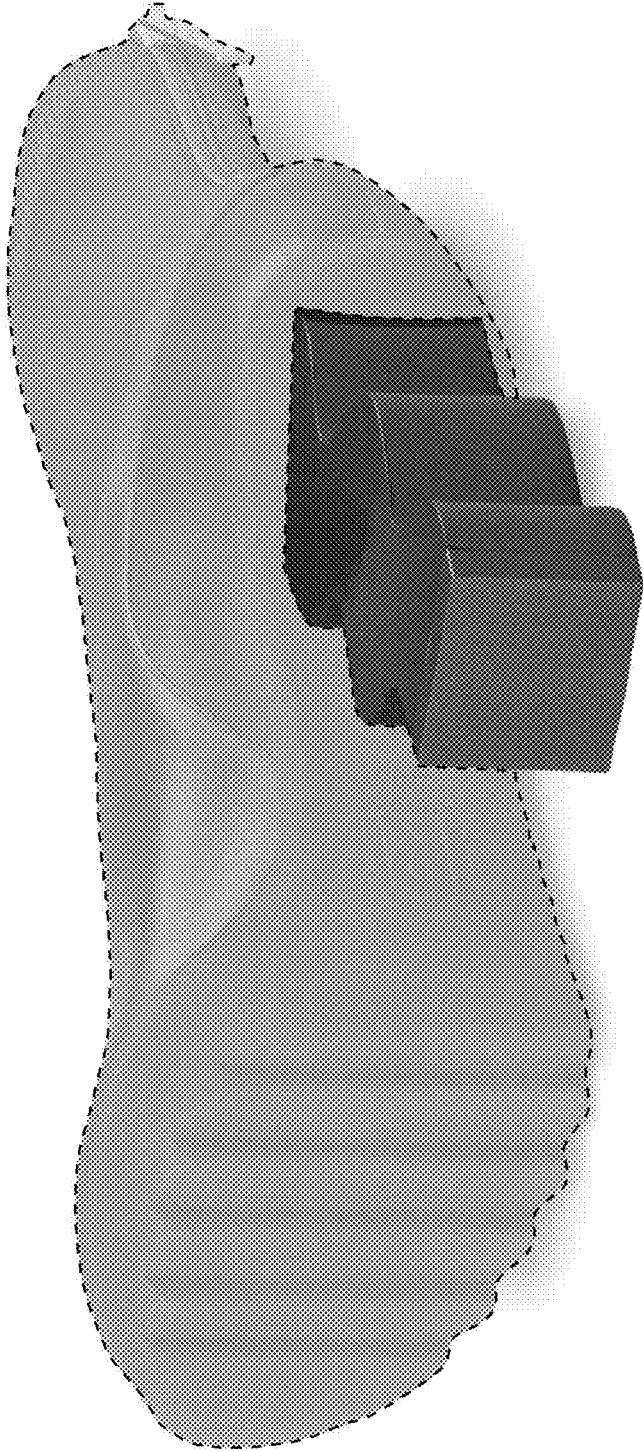


Fig. 2



**Fig. 3**



*Fig. 4*