

[54] **HOUSING FOR POWER BLOWER**

[75] Inventor: **Charles C. Krug**, Saginaw, Tex.

[73] Assignee: **K & S Industries, Inc.**, Fort Worth, Tex.

[**] Term: **14 Years**

[21] Appl. No.: **173,793**

[22] Filed: **Jul. 30, 1980**

[51] Int. Cl. **D23-04**

[52] U.S. Cl. **D23/163; D23/155**

[58] Field of Search **D23/139-167; 415/121 R, 182; 417/234; 239/154, 375**

3,900,165 8/1975 Parke et al. 239/375
 4,089,441 5/1978 Cole et al. 239/154 X
 4,132,507 1/1979 Akiyama et al. 417/234
 4,237,576 12/1980 Stakes 417/234 X
 4,269,571 5/1981 Shikutani et al. 417/234

Primary Examiner—James R. Largen
Attorney, Agent, or Firm—Robert A. Felsman

[57] **CLAIM**

The ornamental design for a housing for power blower, as shown and described.

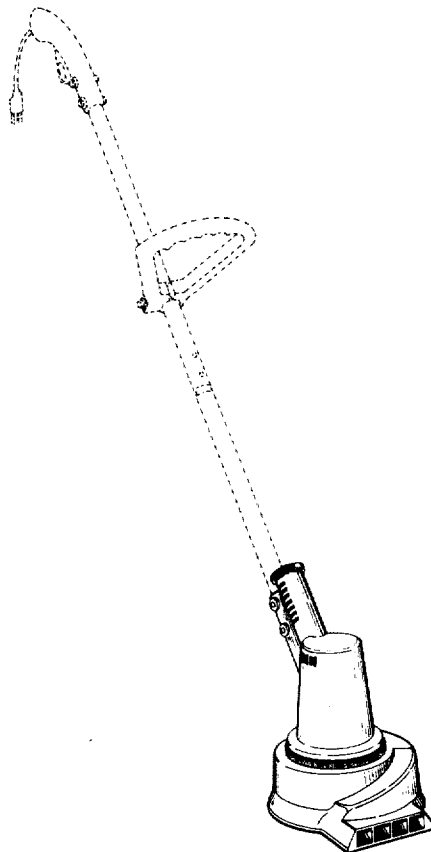
DESCRIPTION

FIG. 1 is a perspective view of a housing for power blower showing my new design;
 FIG. 2 is a left side elevational view thereof;
 FIG. 3 is a top plan view thereof;
 FIG. 4 is a bottom plan view thereof;
 FIG. 5 is a right side elevational view thereof; and
 FIG. 6 is a bottom plan view thereof.
 The broken line representation of a handle in FIG. 1 is for purposes of illustration only.

[56] **References Cited**

U.S. PATENT DOCUMENTS

D. 227,987 7/1973 La Goree D23/162
 D. 258,908 4/1981 Satoh D23/155
 2,850,228 9/1958 Rowley 417/234 X
 3,883,271 5/1975 Mertes 417/234



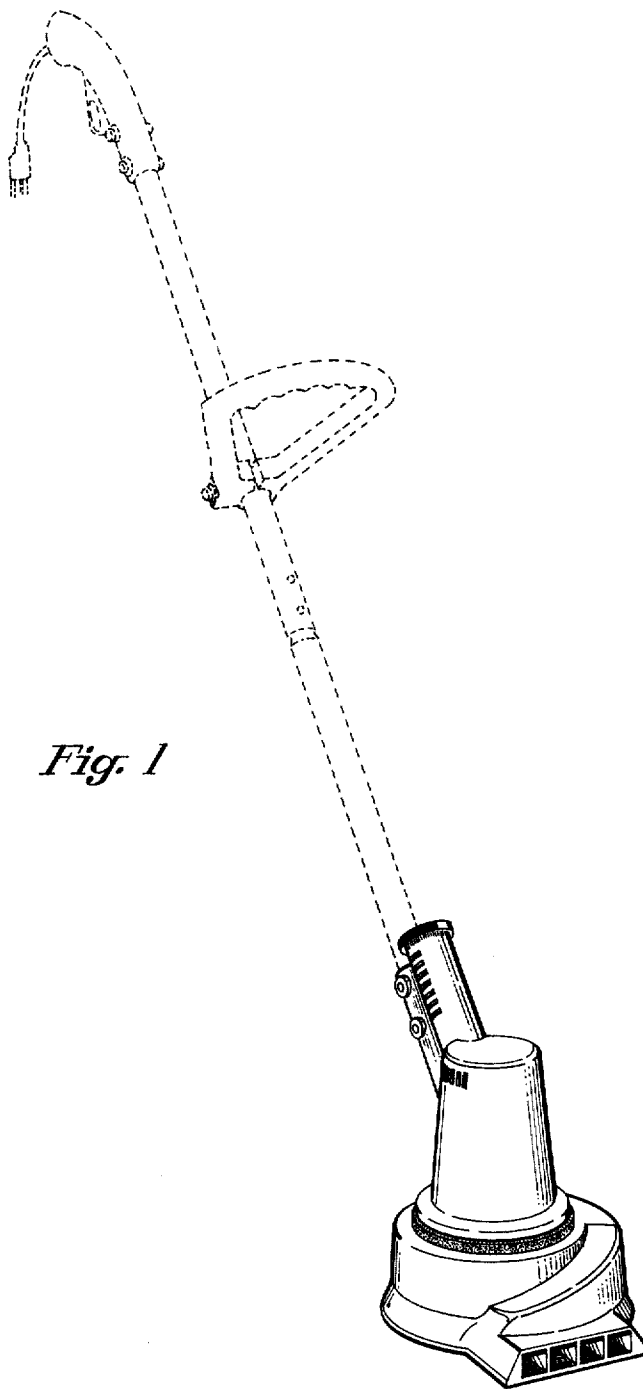


Fig. 1

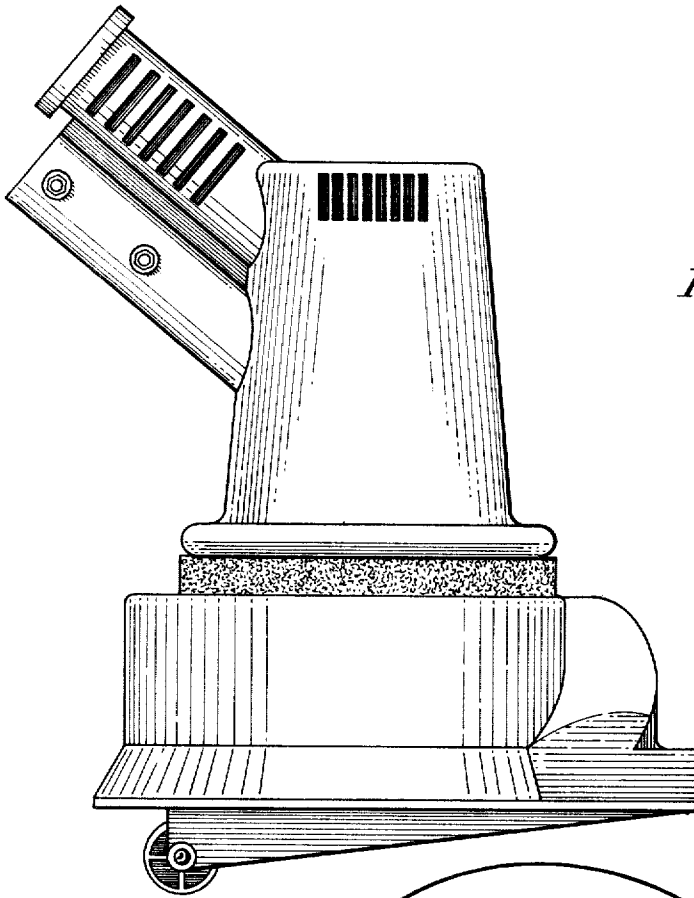


Fig. 2

Fig. 3

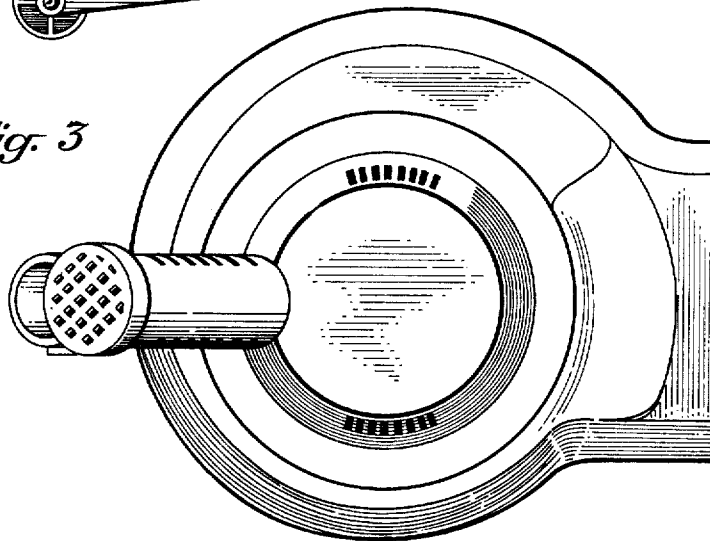


Fig. 4

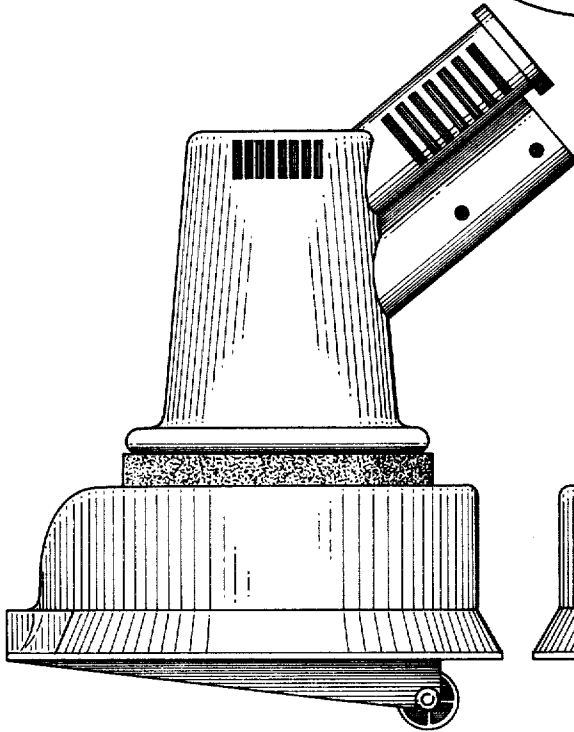
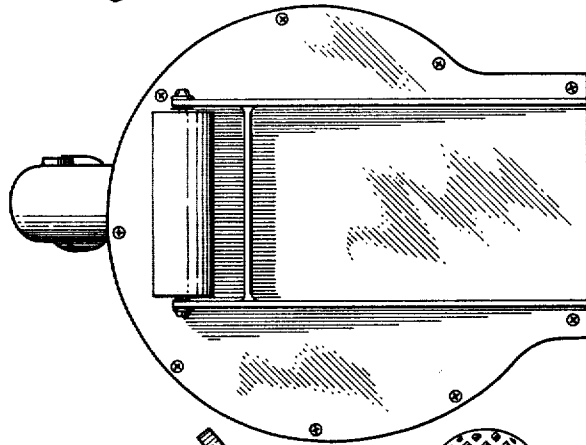


Fig. 5

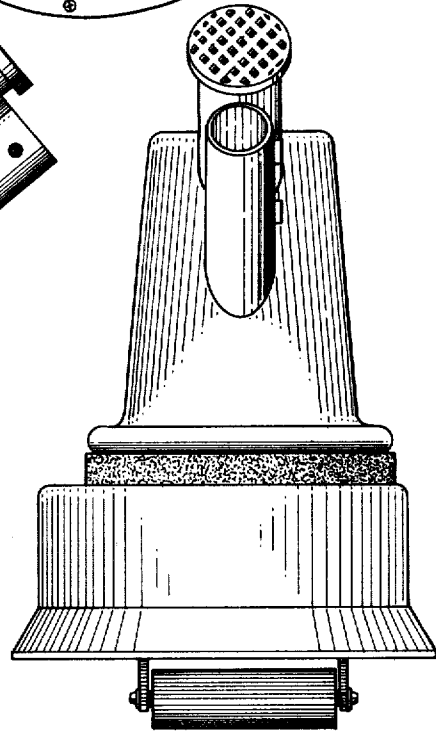


Fig. 6