



US00D939725S

(12) **United States Design Patent**
Tong

(10) **Patent No.:** **US D939,725 S**

(45) **Date of Patent:** **** Dec. 28, 2021**

- (54) **MASSAGE GUN**
- (71) Applicant: **Zhejiang HALLEY Power Machine Co., Ltd., JinHua (CN)**
- (72) Inventor: **JianWen Tong, JinHua (CN)**
- (73) Assignee: **Zhejiang HALLEY Power Machine Co., Ltd., JinHua (CN)**
- (**) Term: **15 Years**
- (21) Appl. No.: **29/768,619**
- (22) Filed: **Jan. 30, 2021**
- (51) **LOC (13) Cl.** **28-03**
- (52) **U.S. Cl.**
USPC **D24/215**
- (58) **Field of Classification Search**
USPC D24/215, 200, 211, 212, 213, 214, 133, D24/188, 107, 231; D8/14.1, 61, 77, D8/303; D28/13
CPC .. A61H 1/00; A61H 15/00; A61H 2015/0007; A61H 7/00; A61H 7/003; A61H 7/004; A61H 7/005; A61H 9/00; A61H 9/0007; A61H 9/0021; A61H 9/005; A61H 23/00; A61H 23/006; A61H 2201/0153; A61H 2201/1207; A61H 23/02; A61H 23/0254; A61H 23/04
See application file for complete search history.

- D884,965 S * 5/2020 Liu D28/13
- D893,738 S 8/2020 Zhuang
- D898,933 S 10/2020 Xu
- D906,533 S * 12/2020 Xu D24/215
- D910,194 S * 2/2021 Radtke D24/215
- D916,307 S * 4/2021 Xiong D24/215
- 2016/0338899 A1 * 11/2016 Howson A61H 7/001

OTHER PUBLICATIONS

BigTron—Massage Gun. Date: Jul. 31, 2019. [online], [Site visited Aug. 19, 2021], Available from Internet URL: <https://www.amazon.co.uk/dp/B07SGF7Y1C/> (Year: 2019).*

Bearneyls—Handheld Deep Tissue Massager. Date: Dec. 24, 2020. [online], [Site visited Aug. 23, 2021], Available from Internet URL: <https://www.amazon.com/dp/B08RBWNMJC/> (Year: 2020).*

(Continued)

Primary Examiner — Susan Bennett Hattan
Assistant Examiner — Landon Thomas Cassell
 (74) *Attorney, Agent, or Firm* — Zhihua Han; Wen IP LLC

(57) **CLAIM**

The ornamental design for a massage gun, as shown and described.

DESCRIPTION

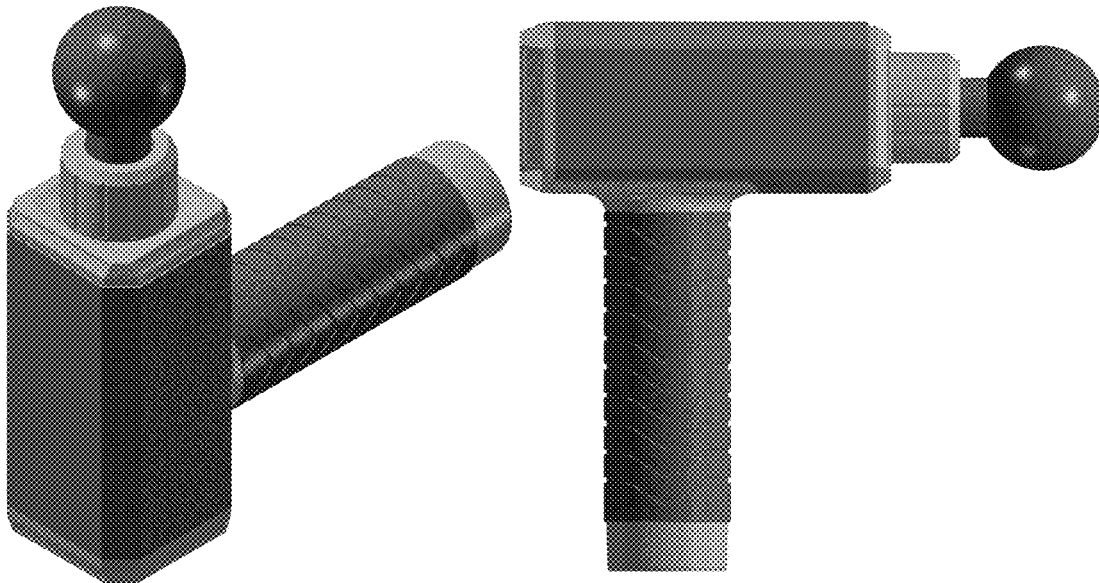
FIG. 1 is a perspective photographic view of a massage gun, showing my new design;
 FIG. 2 is a front photographic view thereof;
 FIG. 3 is a rear photographic view thereof;
 FIG. 4 is a left side photographic view thereof;
 FIG. 5 is a right side photographic view thereof;
 FIG. 6 is a top plan photographic view thereof;
 FIG. 7 is a bottom plan photographic view thereof; and,
 FIG. 8 is another perspective photographic view thereof, viewed from a different direction for clarity of illustration.

1 Claim, 8 Drawing Sheets

(56) **References Cited**

U.S. PATENT DOCUMENTS

- 6,682,496 B1 * 1/2004 Pivaroff A61H 7/005 601/101
- D544,102 S * 6/2007 Pivaroff D24/215
- D782,732 S * 3/2017 Smith D28/13
- D863,571 S * 10/2019 Yang D24/200
- 10,492,984 B2 * 12/2019 Marton A61H 23/006
- D873,432 S * 1/2020 Duan D24/214



(56)

References Cited

OTHER PUBLICATIONS

Whole Body Deep Tissue Massager. Date: Not listed, [online], [Site visited Aug. 19, 2021], Available from Internet URL: https://chinahalley.en.alibaba.com/product/1600276078469-817944007/Whole_body_Deep_Tissue_massager_gun_Machine_From_Manufacturer_High_Quality_fascia_gun_whole_body_massage.html (Year: 2021).*

Massage guns. (Design—© Questel) orbit.com. [Online PDF compilation of references selected by examiner] 22 pgs. Print Dates Range Mar. 31, 2020-Jan. 5, 2021 [Retrieved Aug. 23, 2021] <https://www.orbit.com/export/UCZAH96B/pdf4/199b4a05-db88-4d59-9f6a-efc73b804ccc-193608.pdf> (Year: 2021).*

* cited by examiner

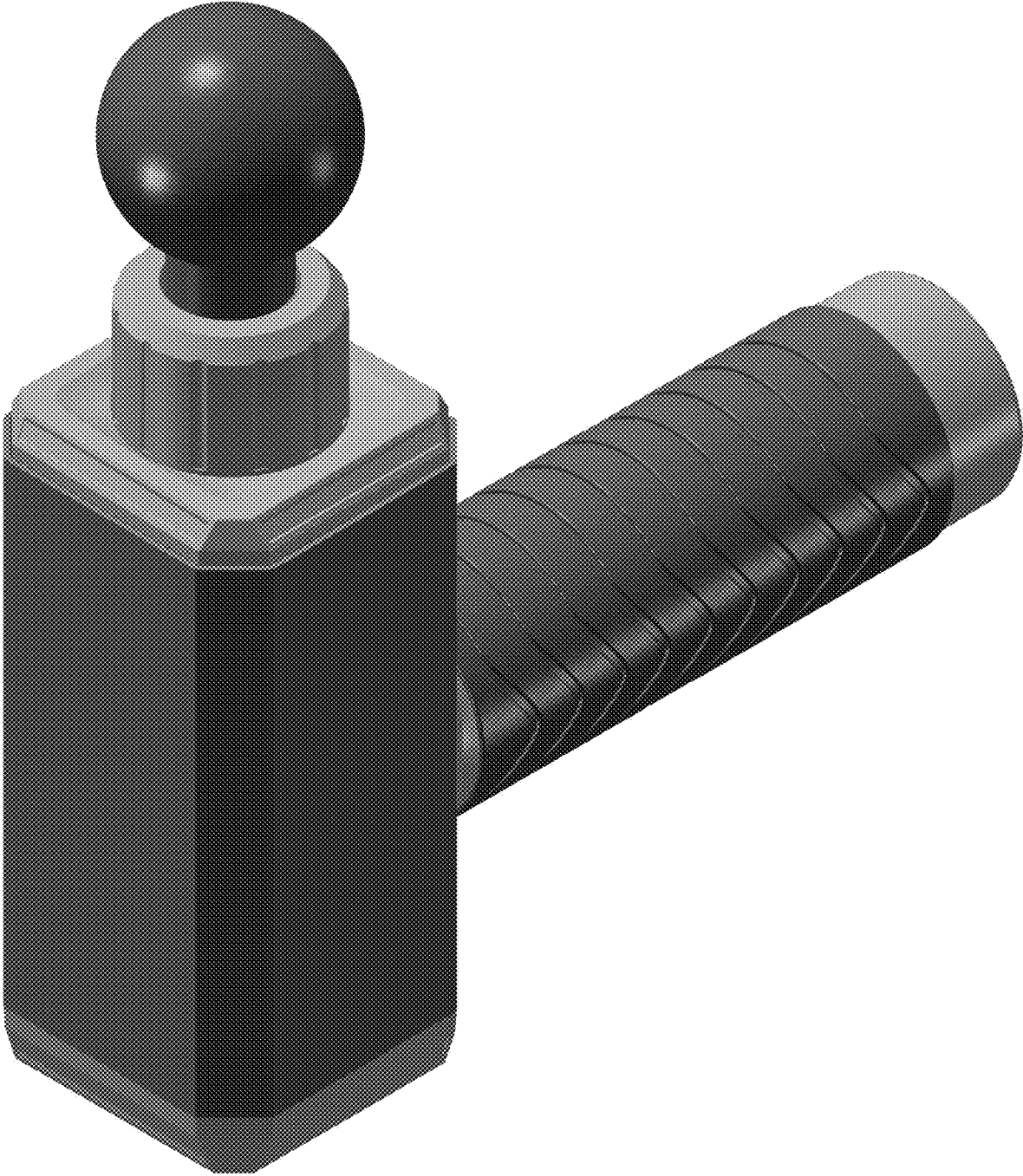


FIG. 1

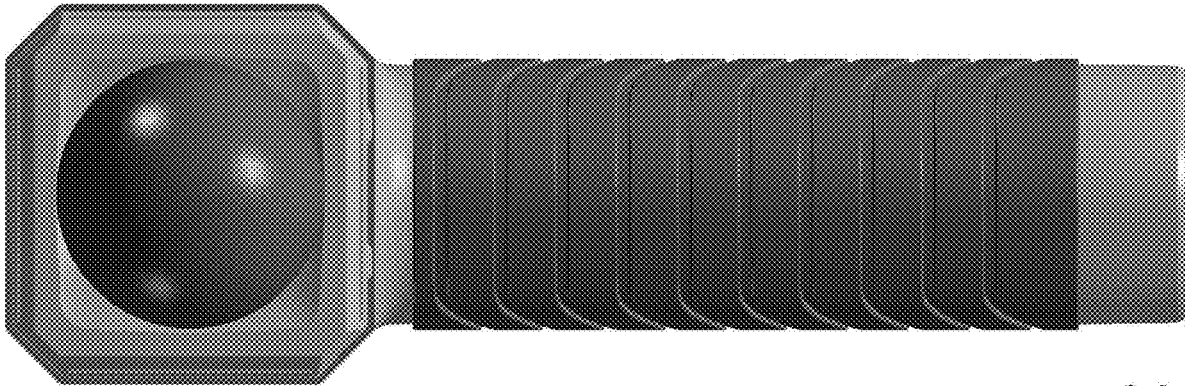


FIG. 2

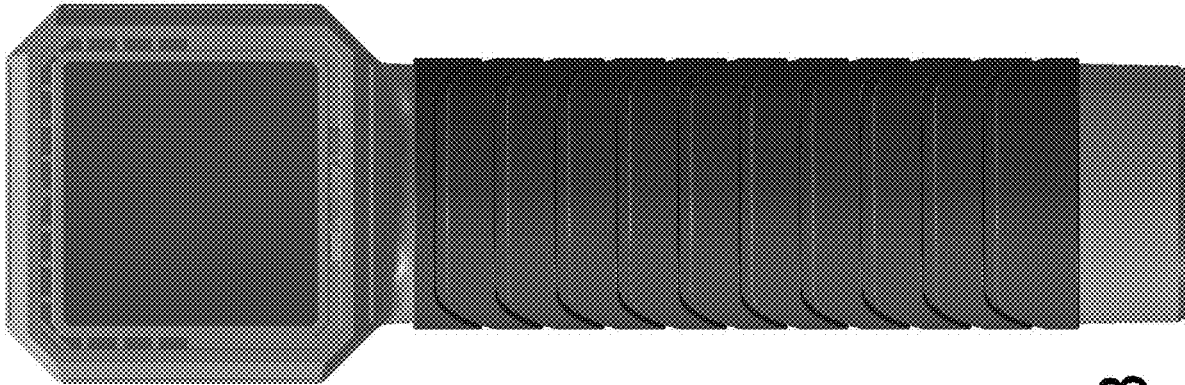


FIG. 3

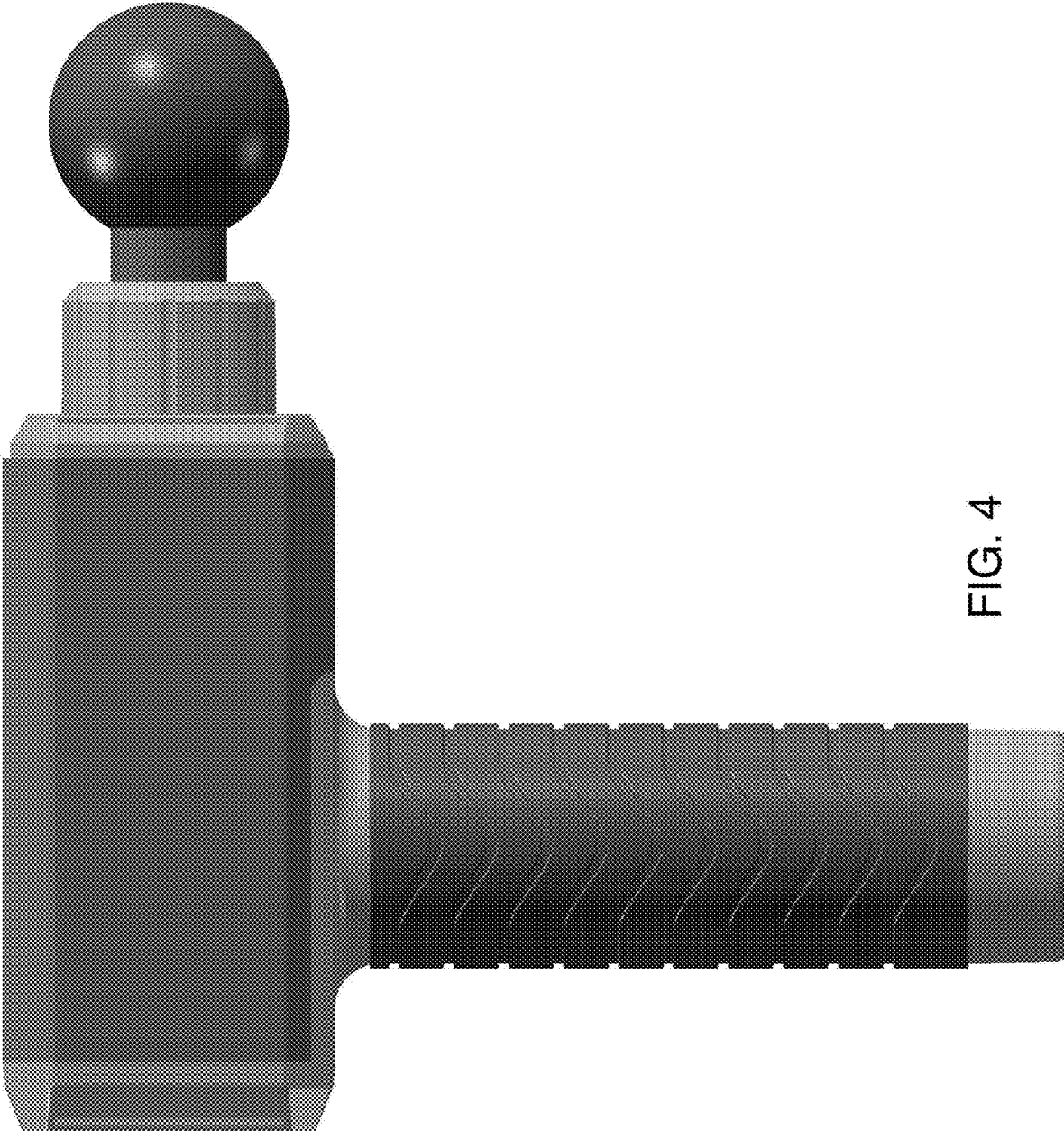


FIG. 4

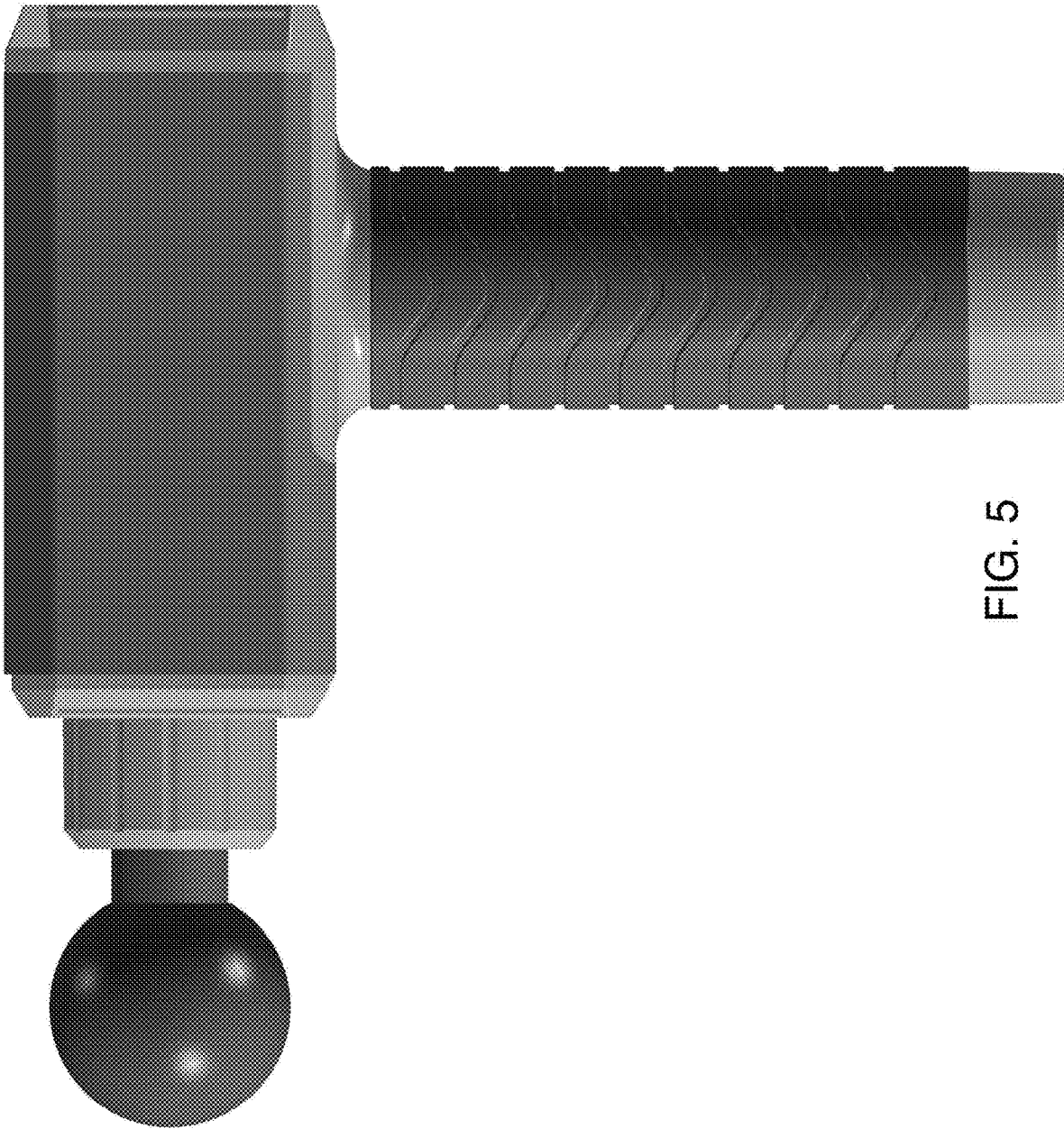


FIG. 5

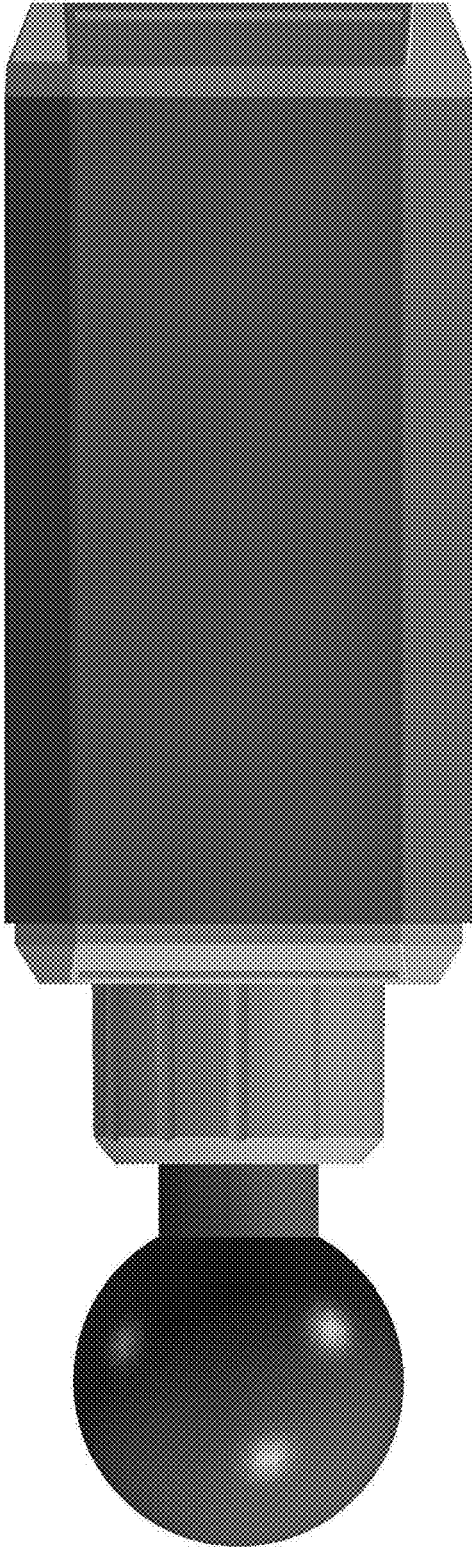


FIG. 6

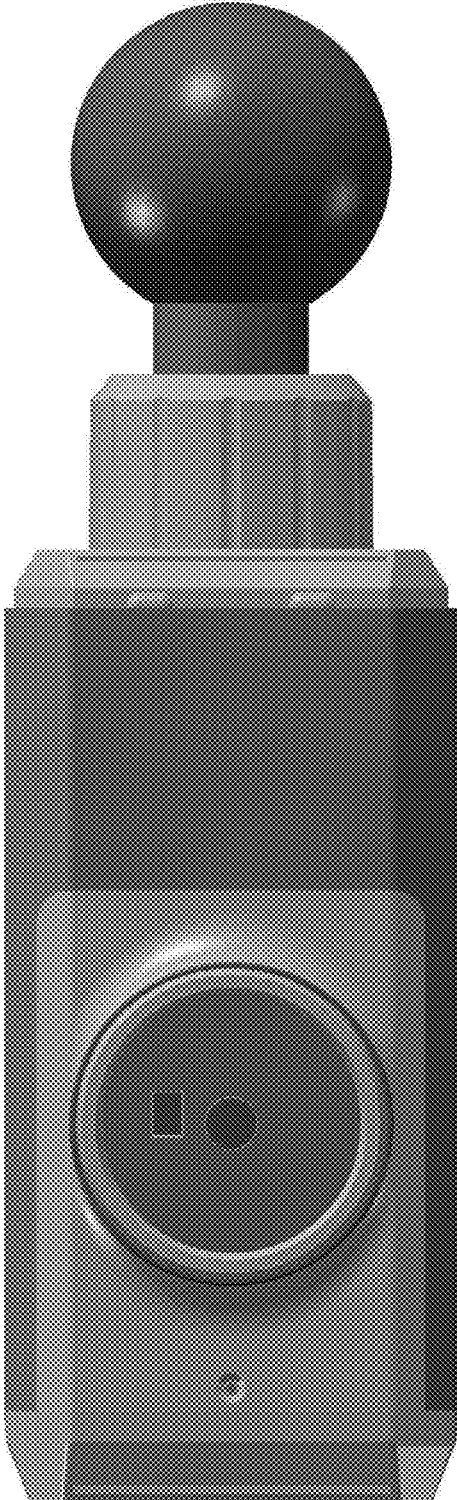


FIG. 7

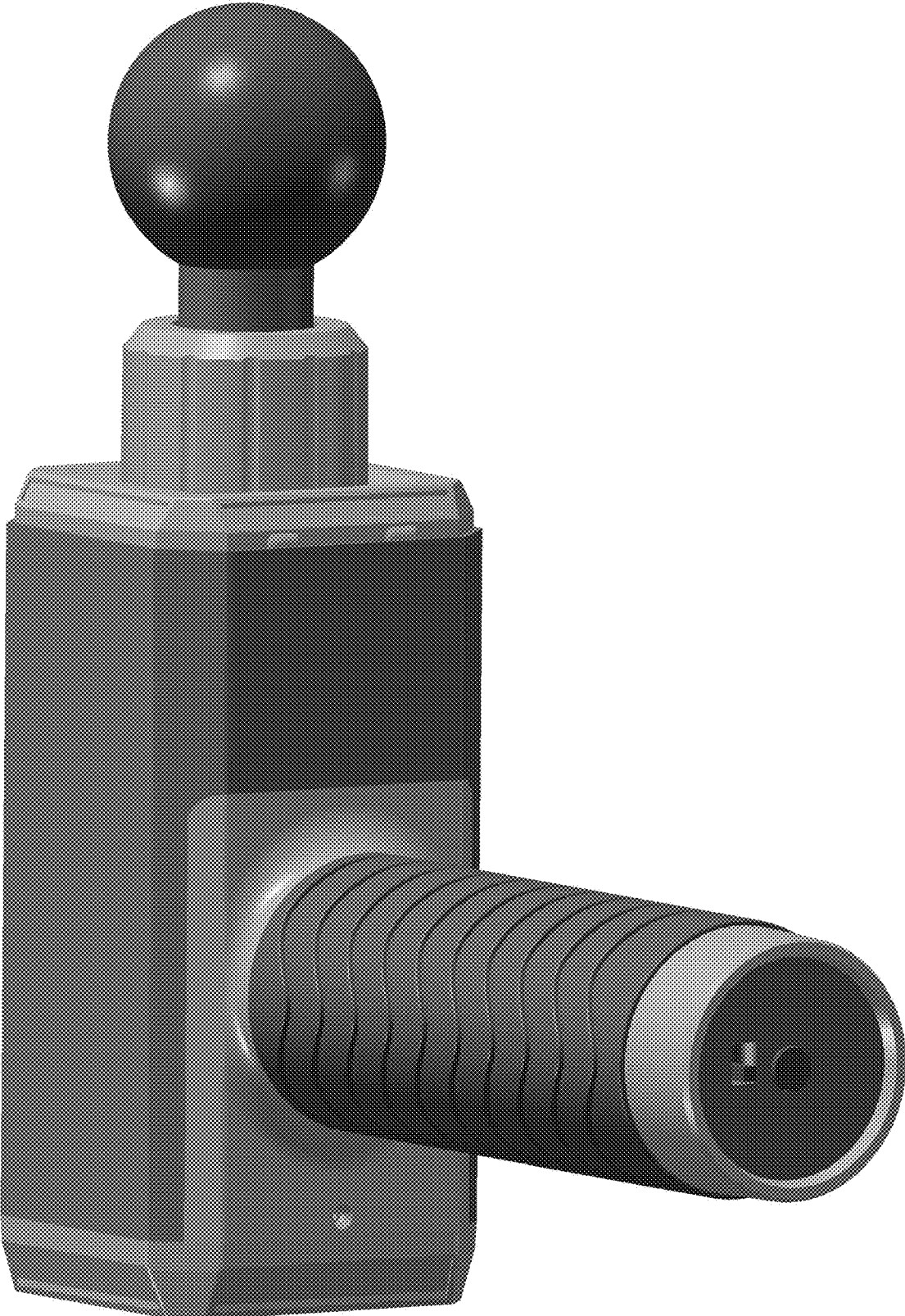


FIG. 8