



US00D677161S

(12) **United States Design Patent**
Titherington

(10) **Patent No.:** **US D677,161 S**

(45) **Date of Patent:** **** Mar. 5, 2013**

(54) **BOTTLE CAP**

(76) Inventor: **Philip D. Titherington**, Peru, NY (US)

(**) Term: **14 Years**

(21) Appl. No.: **29/426,775**

(22) Filed: **Jul. 10, 2012**

Related U.S. Application Data

(63) Continuation of application No. 12/689,882, filed on Jan. 19, 2010.

(51) **LOC (9) Cl.** **09-07**

(52) **U.S. Cl.** **D9/453; D9/443; D9/452**

(58) **Field of Classification Search** D9/529,
D9/452, 445, 454, 444, 443, 442, 436, 435,
D9/500-504; D7/392.1, 391; 222/525; 215/216,
215/400; 220/376, 293, 288, 281, 200, 253,
220/890, 713; 206/222, 221, 457, 458, 527;
132/304

See application file for complete search history.

(56) **References Cited**

U.S. PATENT DOCUMENTS

D138,952	S	*	9/1944	Supery	D9/453
D333,065	S	*	2/1993	Murphy	D7/391
D354,914	S	*	1/1995	Newman	D9/503
5,381,912	A	*	1/1995	Walker et al.	215/220
D359,910	S	*	7/1995	Hirsch	D9/548
5,449,077	A	*	9/1995	Seidler	215/216
D408,292	S	*	4/1999	Gundlach et al.	D9/555
6,253,942	B1	*	7/2001	Elias	215/305
D472,947	S	*	4/2003	Wu	D21/694
D477,224	S	*	7/2003	Hussain	D9/453

D491,063	S	*	6/2004	Hicks et al.	D9/443
D542,133	S	*	5/2007	Haber et al.	D9/453
D613,161	S	*	4/2010	Greenfield	D9/443
D618,099	S	*	6/2010	Biesecker et al.	D9/452
D621,706	S	*	8/2010	Breckan	D9/443
D625,346	S	*	10/2010	Drenth et al.	D15/138
D626,417	S	*	11/2010	Kim	D9/503
D638,707	S	*	5/2011	Stoffers et al.	D9/453
D662,869	S	*	7/2012	Ballard	D12/213

* cited by examiner

Primary Examiner — Susan Bennett Hattan

(74) *Attorney, Agent, or Firm* — David L. Nocilly; Bond Schoneck & King, PLLC

(57) **CLAIM**

The ornamental design for a bottle cap, as shown and described.

DESCRIPTION

FIG. 1 is a perspective view of a bottle cap in accordance with my design.

FIG. 2 is a side view of the bottle cap of FIG. 1.

FIG. 3 is a top view of the bottle cap FIG. 1.

FIG. 4 is a perspective view of a bottle cap in accordance with my design.

FIG. 5 is a side view of the bottle cap of FIG. 4.

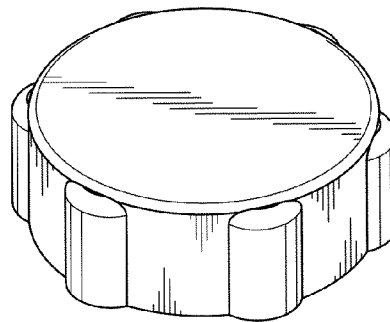
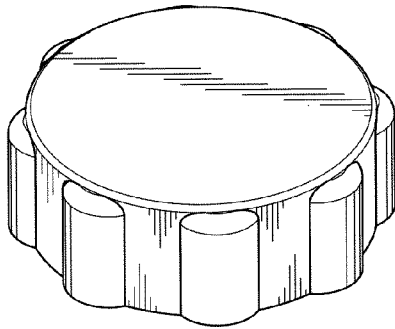
FIG. 6 is a top view of the bottle cap FIG. 4.

FIG. 7 is a perspective view of a bottle cap in accordance with my design.

FIG. 8 is a side view of the bottle cap of FIG. 7; and,

FIG. 9 is a top view of the bottle cap FIG. 7.

1 Claim, 3 Drawing Sheets



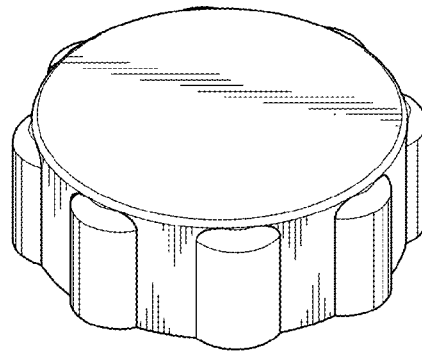


FIG. 1

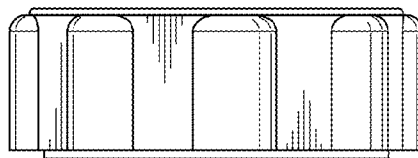


FIG. 2

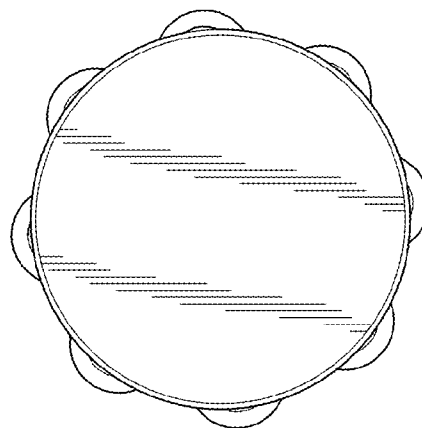


FIG. 3

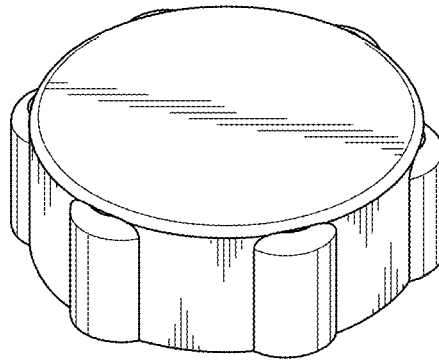


FIG. 4

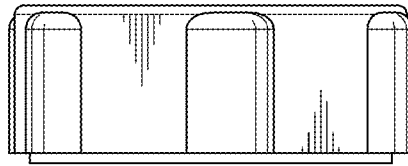


FIG. 5

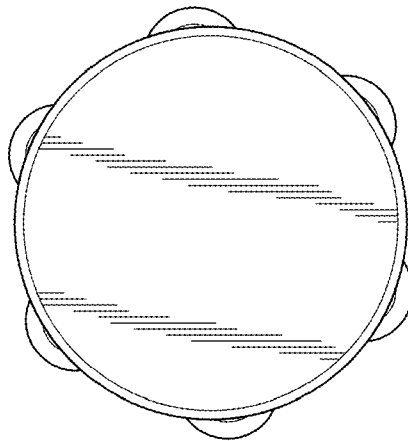


FIG. 6

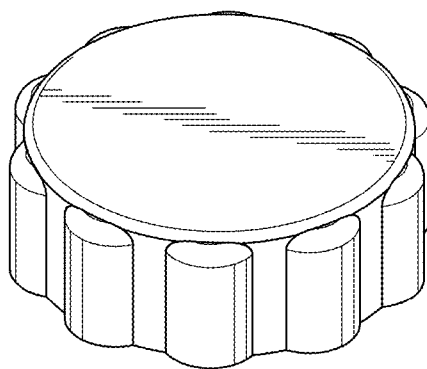


FIG. 7

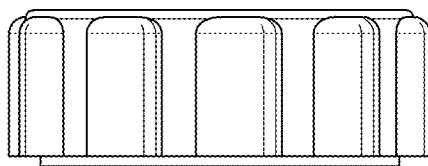


FIG. 8

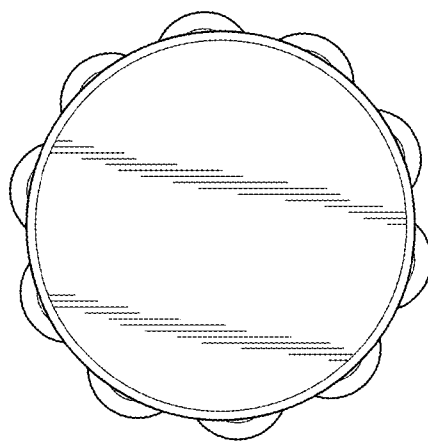


FIG. 9