



US00D344254S

United States Patent [19]

[11] Patent Number: **Des. 344,254**

Zimmerman

[45] Date of Patent: **** Feb. 15, 1994**

[54] **BELL HOUSING COMPONENT FOR INDEPENDENT REAR SUSPENSION SYSTEM**

5,012,885 5/1991 Hilden 180/354

[76] Inventor: **Wade Zimmerman**, 1212 Santa Paula St., Santa Paula, Calif. 93060

Primary Examiner—Wallace R. Burke
Assistant Examiner—Melody Brown
Attorney, Agent, or Firm—Jessup & Slehofer

[**] Term: **14 Years**

[57] **CLAIM**

[21] Appl. No.: **1,628**

The ornamental design for a bell housing component for independent rear suspension system, as shown and described.

[22] Filed: **Nov. 19, 1992**

[52] U.S. Cl. **D12/159; 180/354**

[58] Field of Search 180/352, 353, 354, 355, 180/378; D12/159

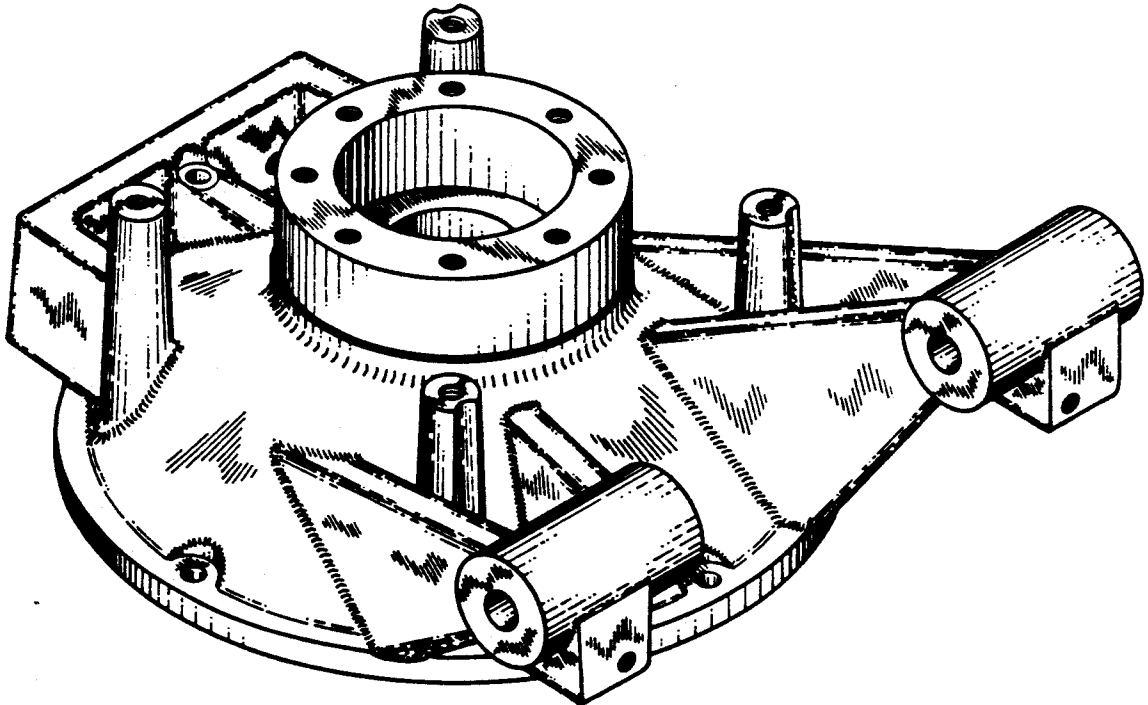
DESCRIPTION

[56] **References Cited**

U.S. PATENT DOCUMENTS

2,988,160	6/1961	Hooven	180/353
3,931,863	1/1976	Sugiyama et al.	180/352
4,705,128	11/1987	Krude	180/378

FIG. 1 is a front elevational view of a bell housing component for independent rear suspension system; FIG. 2 is a bottom plan view thereof; FIG. 3 is a rear elevational view thereof; FIG. 4 is a top plan view thereof; FIG. 5 is a right side elevational view thereof, the left side being a mirror image of that shown; and, FIG. 6 is a top and left side perspective view thereof.



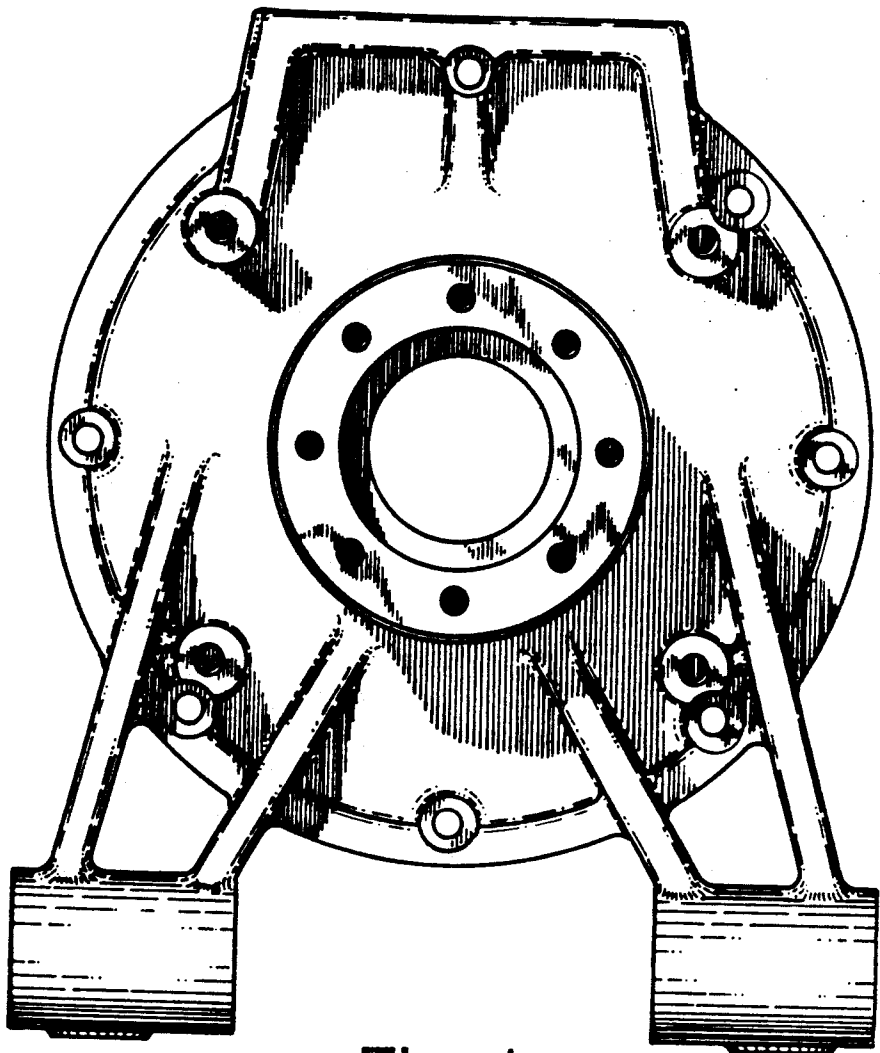


Fig. 1

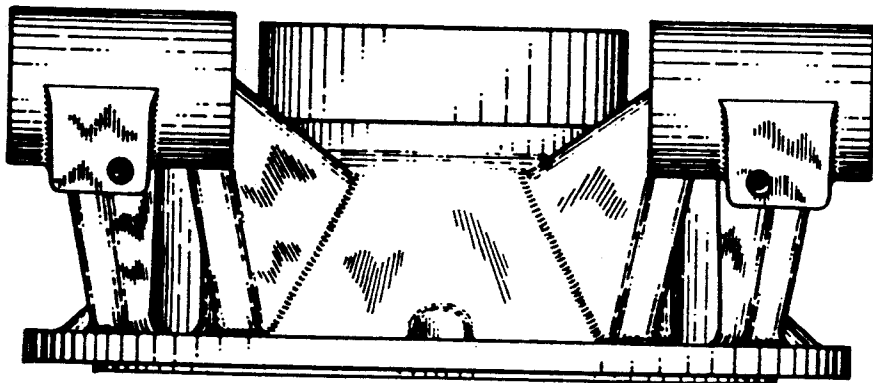


Fig. 2

Fig. 3

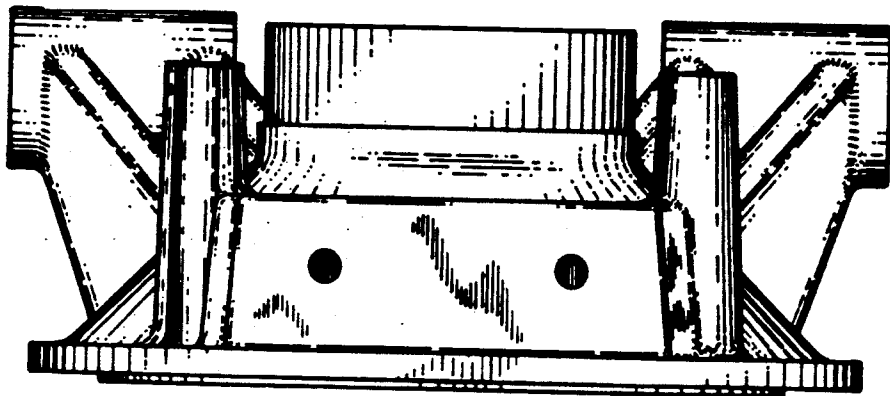
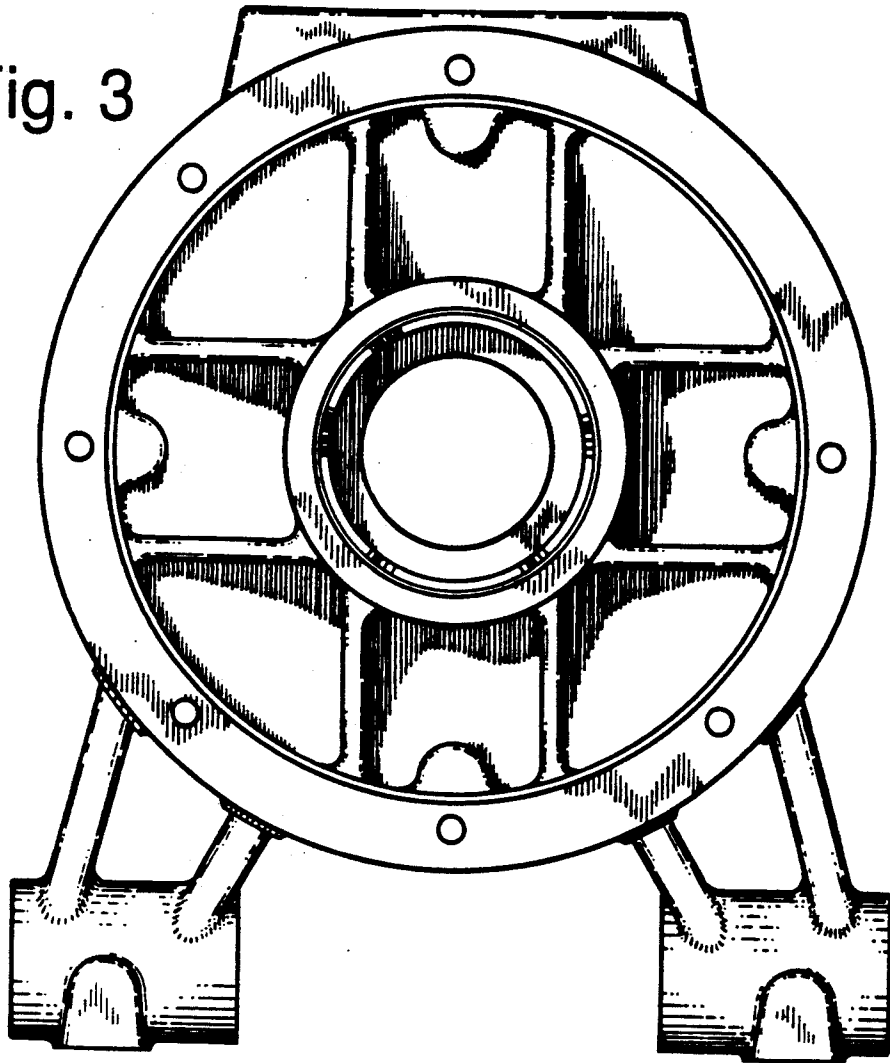


Fig. 4

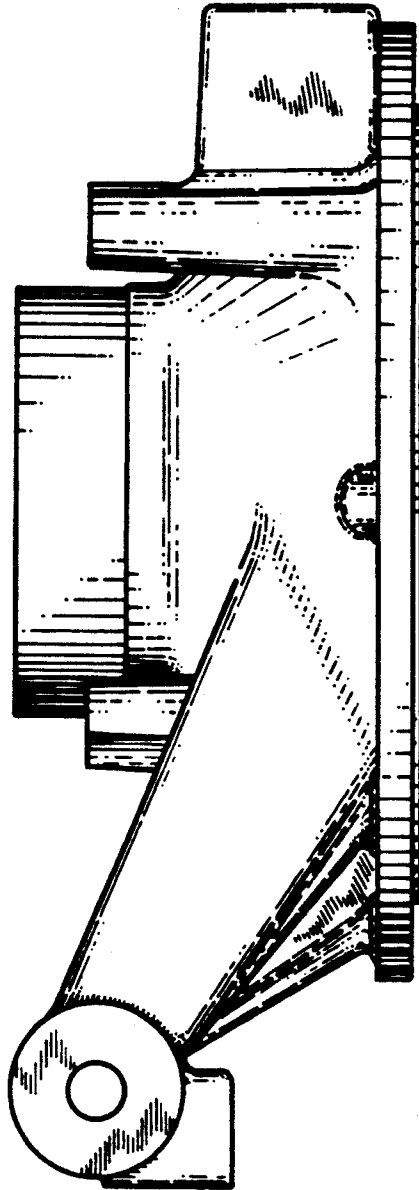


Fig. 5

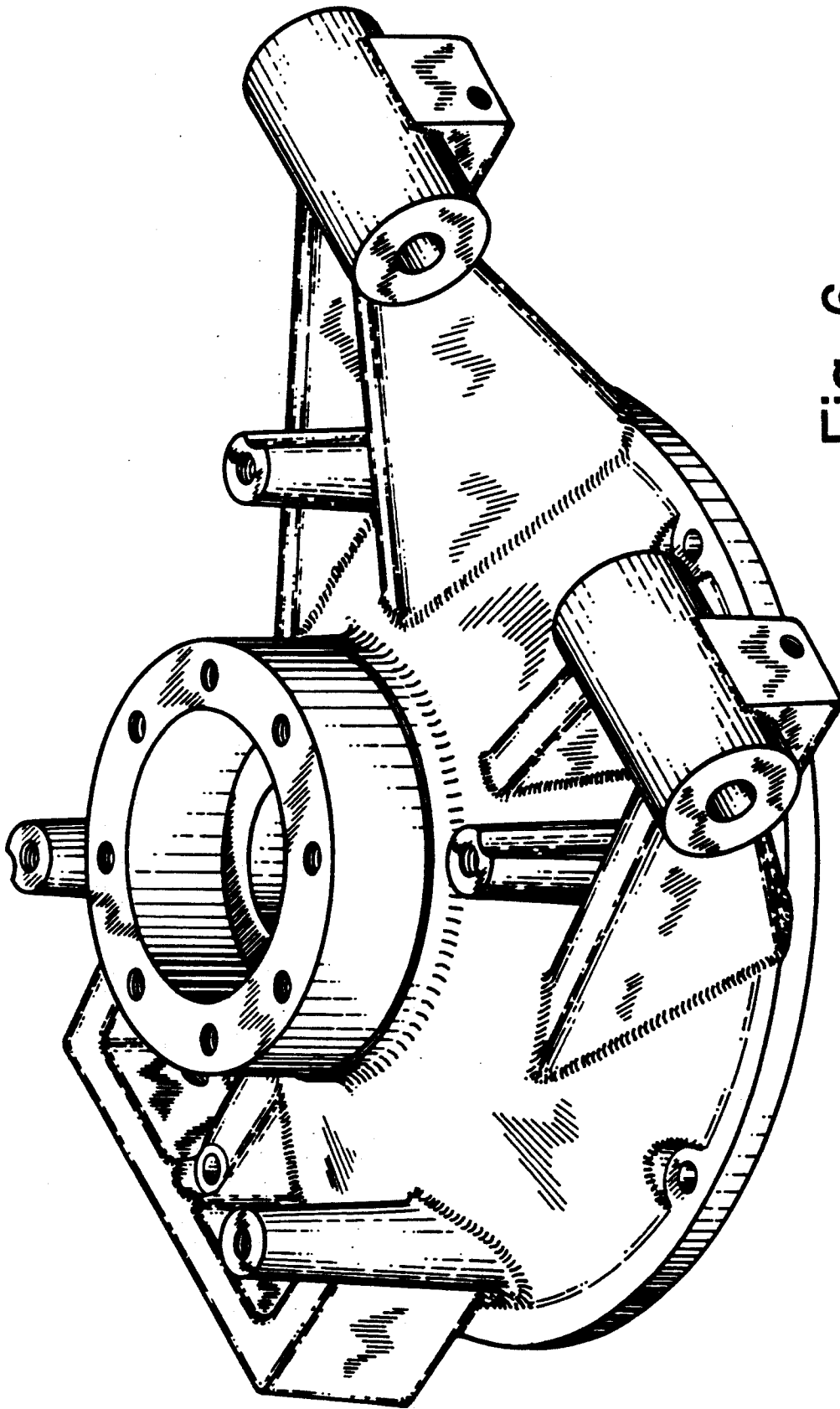


Fig. 6