



US00D845233S

(12) **United States Design Patent**
Zeng

(10) **Patent No.:** **US D845,233 S**

(45) **Date of Patent:** **** Apr. 9, 2019**

(54) **POWER CHARGING BOX**

Primary Examiner — Rosemary K Tarcza
Assistant Examiner — Nathaniel D. Buckner

(71) Applicant: **Shenzhen Energy Storage Electronics Co., LTD**, Shenzhen (CN)

(74) *Attorney, Agent, or Firm* — W&K IP

(72) Inventor: **Jinhui Zeng**, Shenzhen (CN)

(57) **CLAIM**

(73) Assignee: **Shenzhen Energy Storage Electronics Co., LTD**, Shenzhen (CN)

The ornamental design for power charging box, as shown and described.

(**) Term: **15 Years**

(21) Appl. No.: **29/603,598**

(22) Filed: **May 11, 2017**

(51) **LOC (11) Cl.** **13-02**

(52) **U.S. Cl.**

USPC **D13/108**; D13/103

(58) **Field of Classification Search**

USPC D13/102–110, 118–119, 184, 199;
D14/356, 432

CPC Y02E 60/10; Y02E 60/12; Y02E 60/122;
Y02E 60/124; Y02E 60/50; H01M 2/02;
H01M 2/022; H01M 2/0202; H01M
2/0207; H01M 2/0212; H01M 2/1061;
H01M 2/1022; H01M 2/1055; H01M
2/1066; H01M 2/105; H01M 2/20; H01M
2/204; H01M 2/206; H01M 10/44; H01M
10/46; H01M 10/465; H01M 10/482;
H01M 2200/30; H01M 2250/30; H01M
2250/40; H02J 7/00; H02J 7/0003; H02J
7/0011; H02J 7/0013; H02J 7/0054; H02J
7/0055; H02J 7/0057; H02J 2007/0062

See application file for complete search history.

(56) **References Cited**

U.S. PATENT DOCUMENTS

D599,344	S	*	9/2009	Wang	D14/356
D602,430	S	*	10/2009	Green	D13/110
D634,706	S	*	3/2011	Takeo	D13/107
D659,635	S	*	5/2012	Hou	D13/107
D674,342	S	*	1/2013	Ho	D13/110

(Continued)

DESCRIPTION

FIG. 1 is a perspective view of a power charging box showing the body part of my new design;

FIG. 2 is perspective view thereof, shown in an alternate position of use;

FIG. 3 is a front elevation view of FIG. 2;

FIG. 4 is a rear elevation view thereof;

FIG. 5 is a left elevation view thereof;

FIG. 6 is a right elevation view thereof;

FIG. 7 is a top plan view thereof;

FIG. 8 is a bottom plan view thereof;

FIG. 9 is perspective view of a power charging box showing the cover part of my new design;

FIG. 10 is a front elevation view thereof;

FIG. 11 is a rear elevation view thereof;

FIG. 12 is a left elevation view thereof;

FIG. 13 is a right elevation view thereof;

FIG. 14 is a top plan view thereof;

FIG. 15 is a bottom plan view thereof;

FIG. 16 is a perspective view of a power charging box shown in an assembled condition showing my design;

FIG. 17 is second perspective view thereof;

FIG. 18 is a front elevation view thereof;

FIG. 19 is a rear elevation view thereof;

FIG. 20 is a left elevation view thereof;

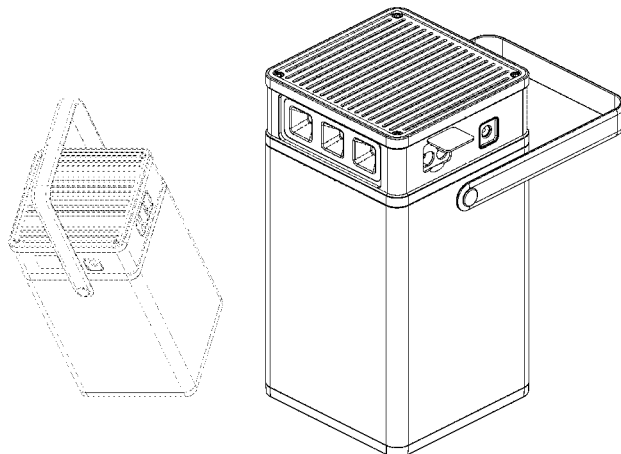
FIG. 21 is a right elevation view thereof;

FIG. 22 is a top plan view thereof; and,

FIG. 23 is a bottom plan view thereof.

The broken lines in the figures depict portions of the article which form no part of the claimed design.

1 Claim, 23 Drawing Sheets



(56)

References Cited

U.S. PATENT DOCUMENTS

D688,418	S	*	8/2013	Liu	D13/108
D695,680	S	*	12/2013	Workman	D13/103
D713,405	S	*	9/2014	Akana	D14/349
D762,165	S	*	7/2016	Rowe	D13/103
D762,193	S	*	7/2016	Petersen	D14/215
D773,992	S	*	12/2016	Krantz	D13/110
9,825,345	B2	*	11/2017	Liu	H01M 10/623
D815,039	S	*	4/2018	Wen	D13/110

* cited by examiner

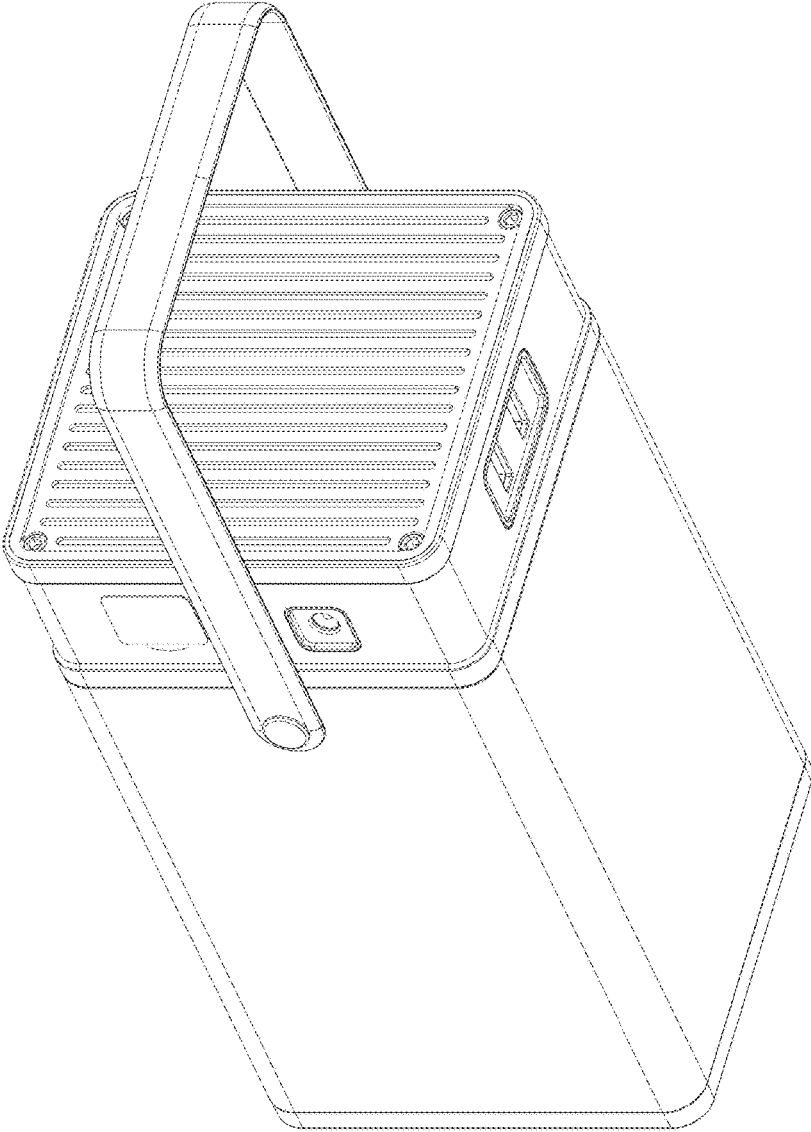


FIG.1

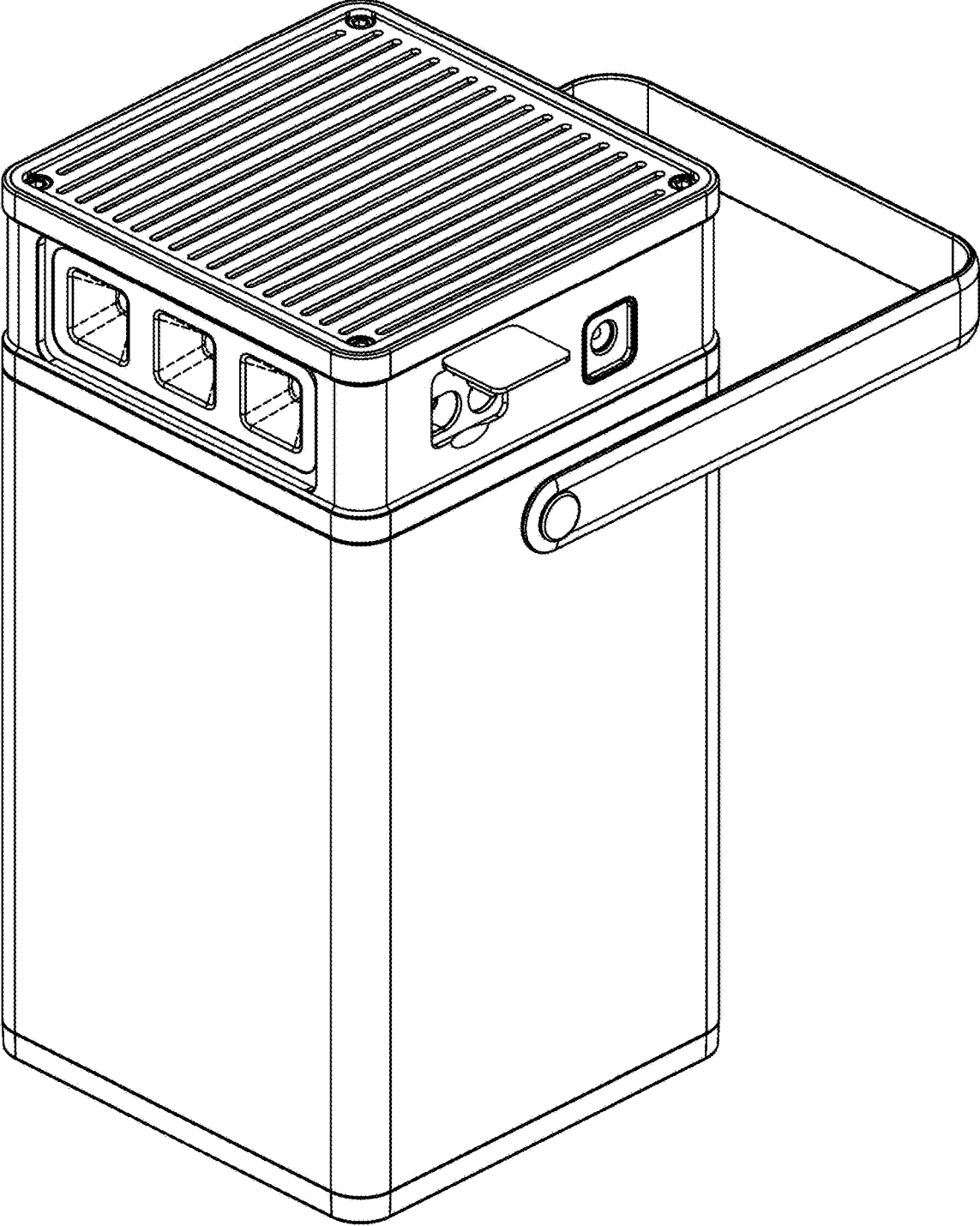


FIG.2

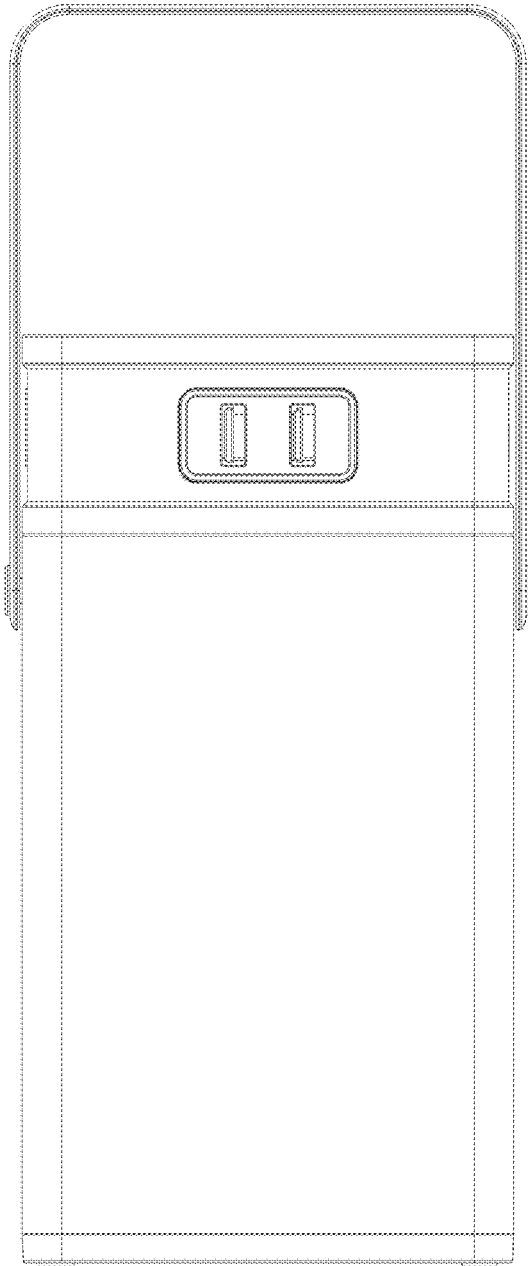


FIG. 3

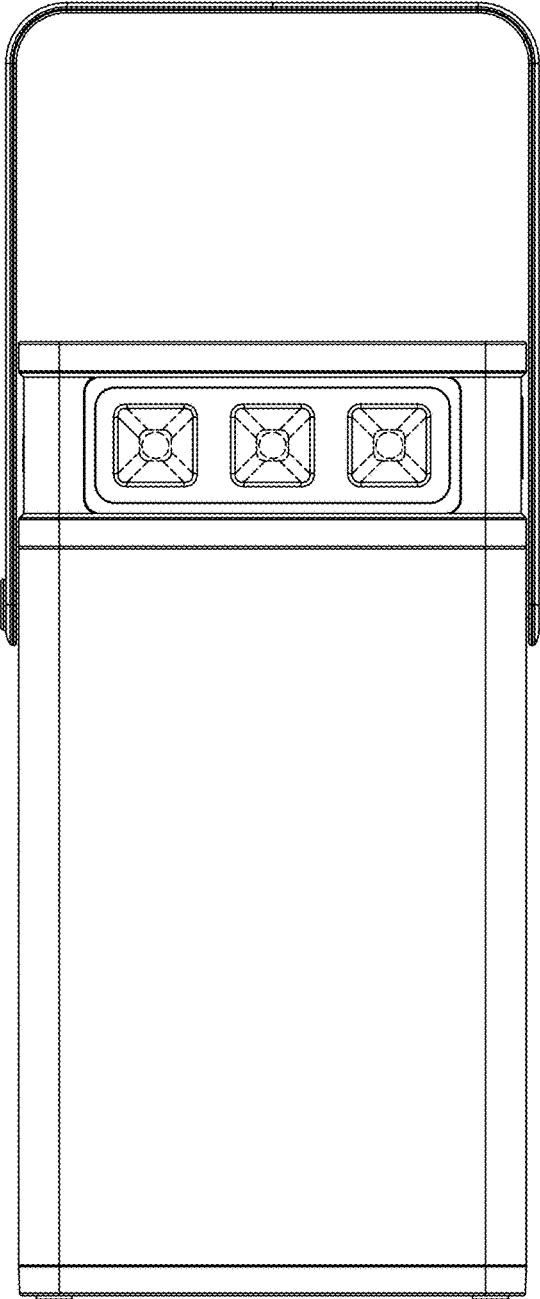


FIG. 4

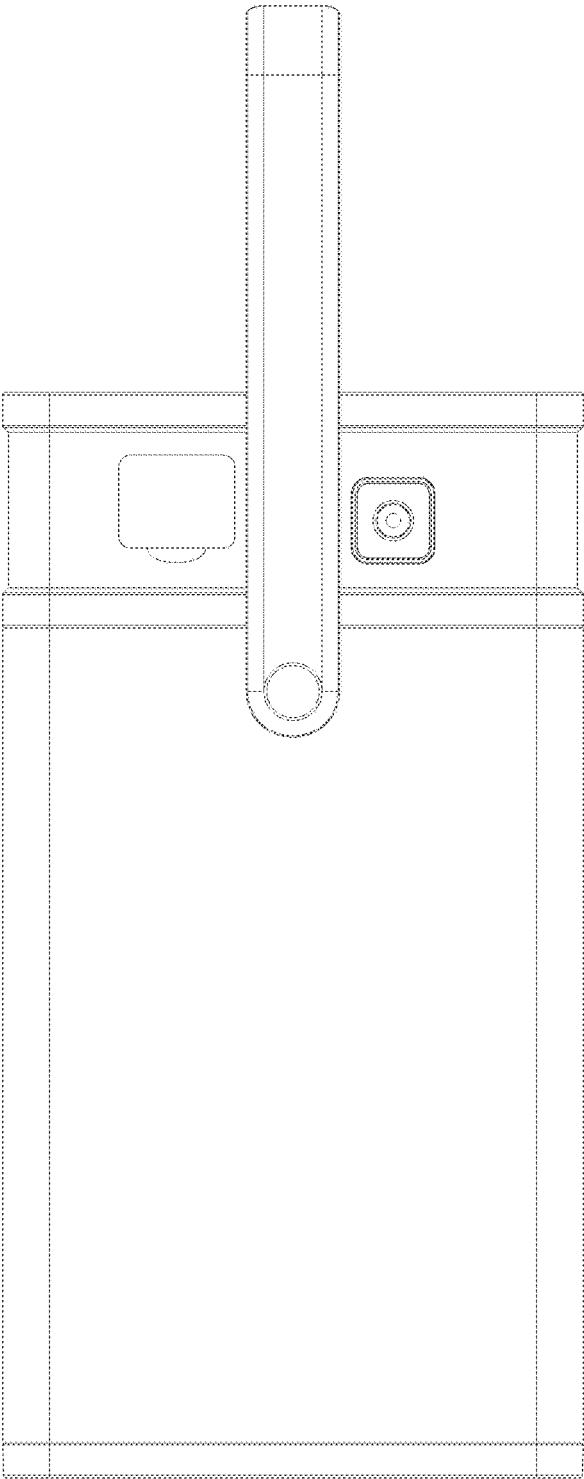


FIG.5

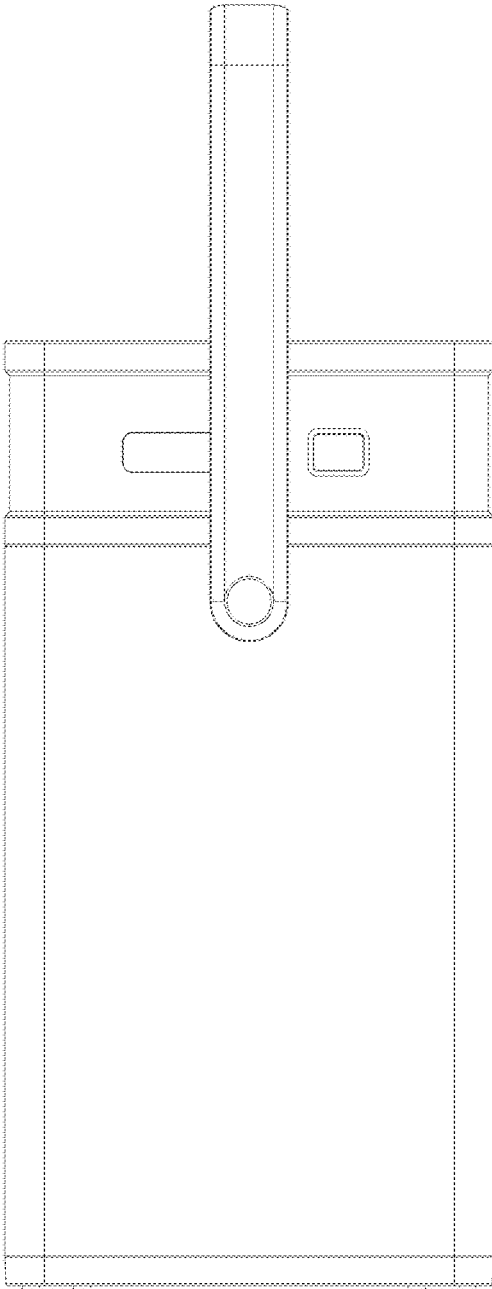


FIG.6

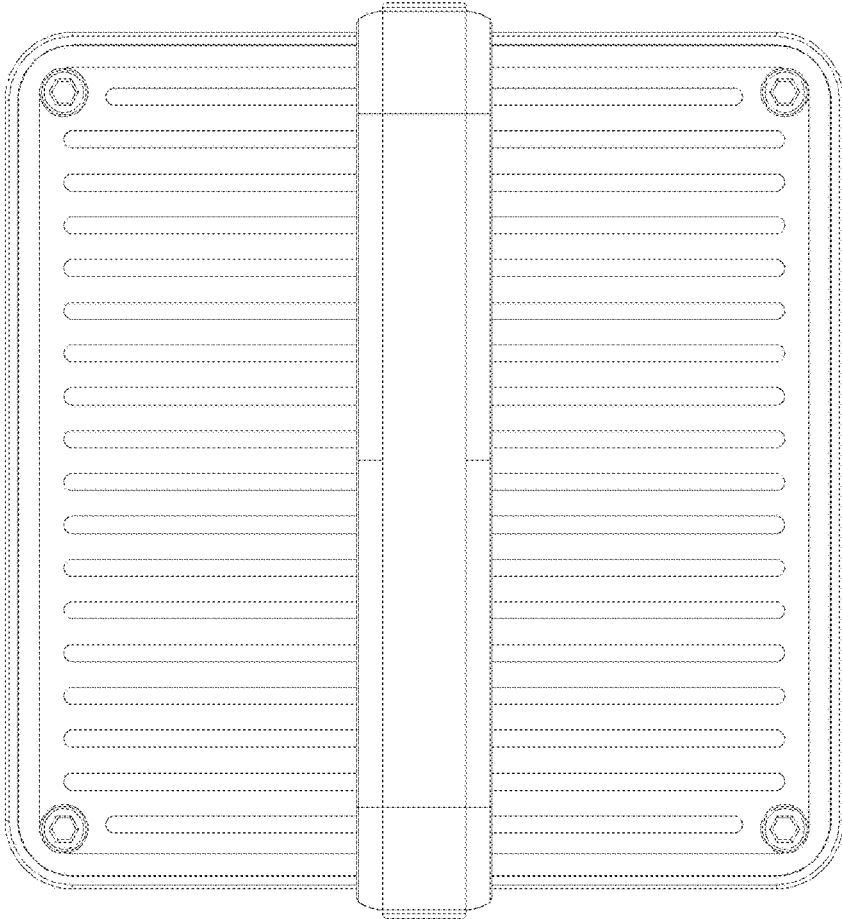


FIG.7

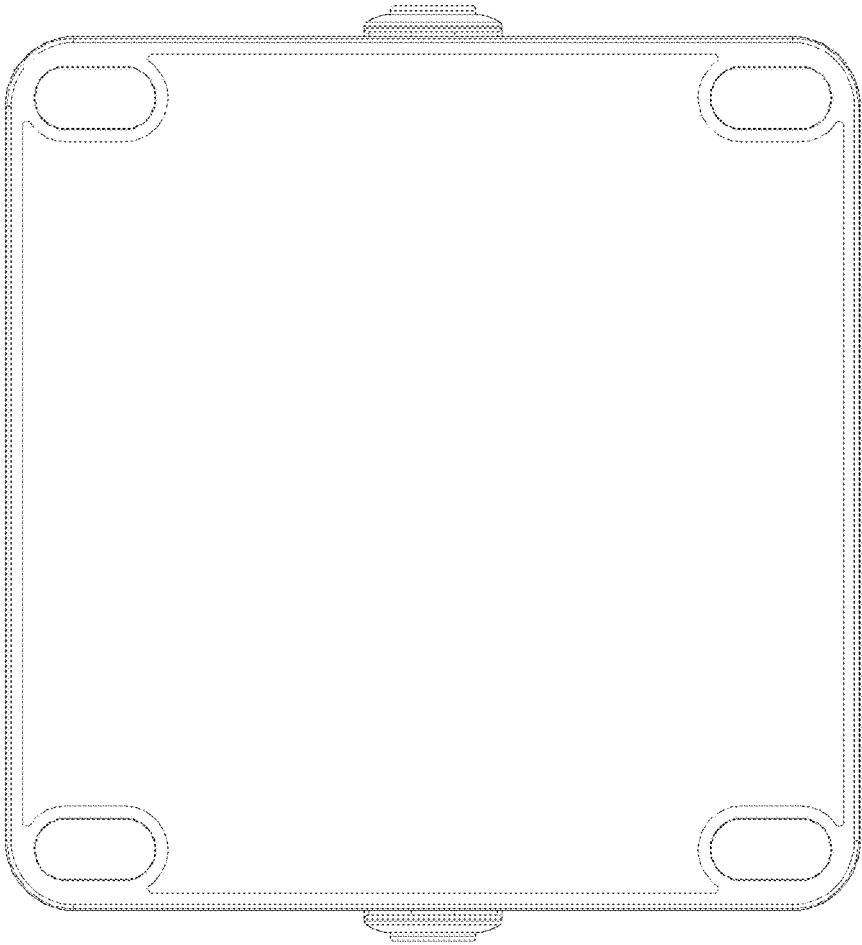


FIG. 8

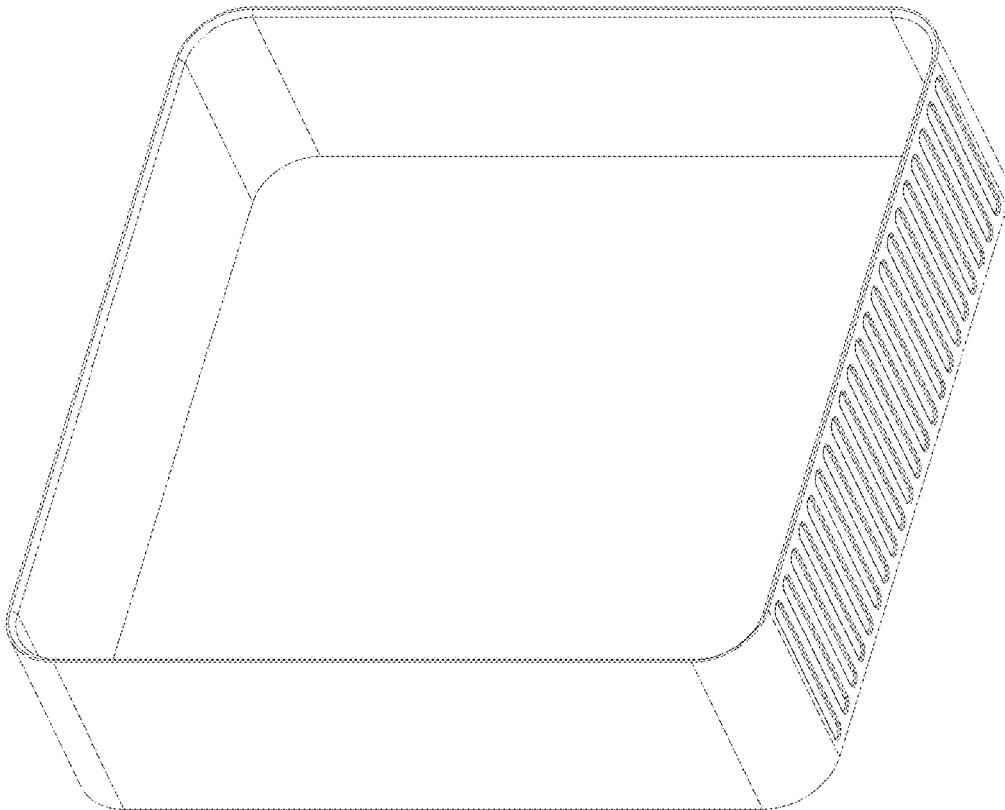


FIG.9

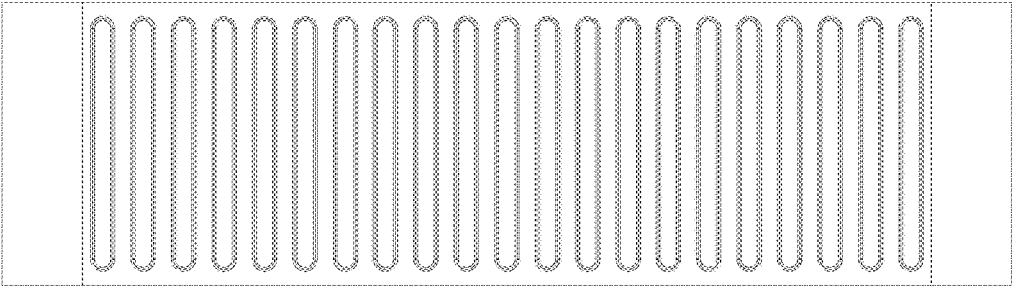


FIG.10

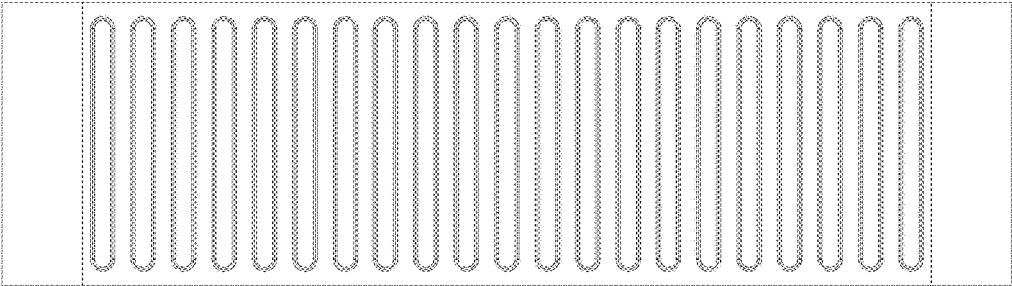


FIG.11



FIG. 12



FIG. 13

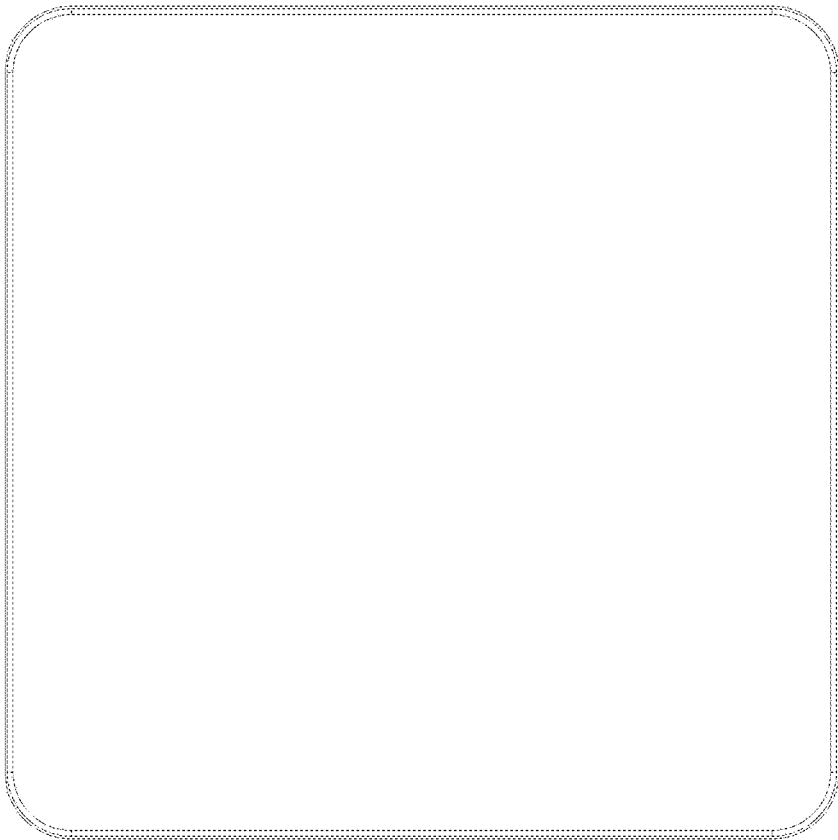


FIG.14

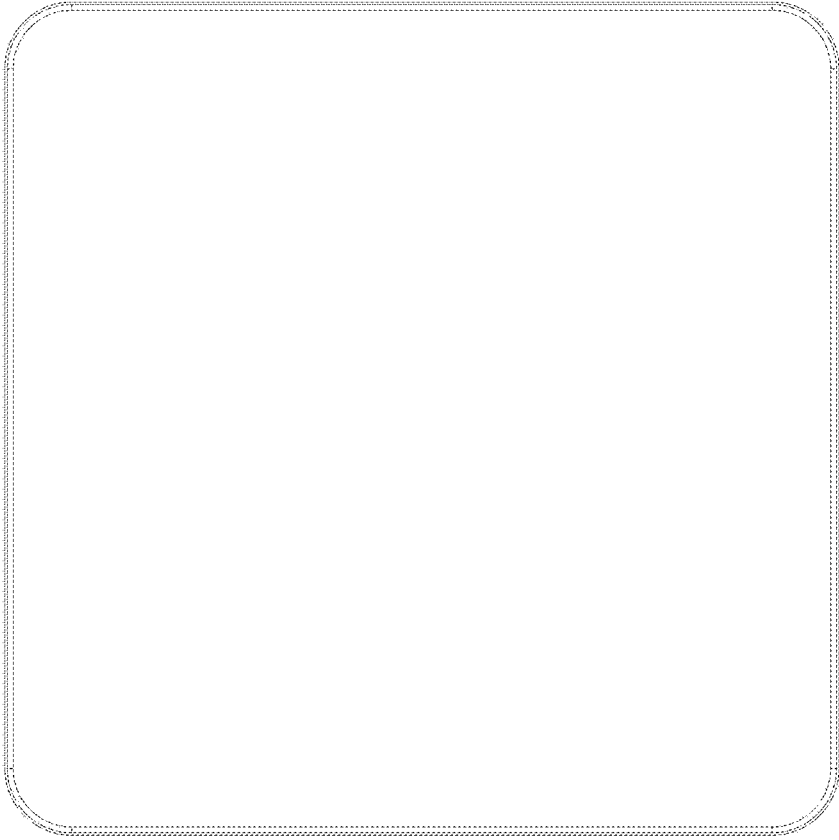


FIG. 15

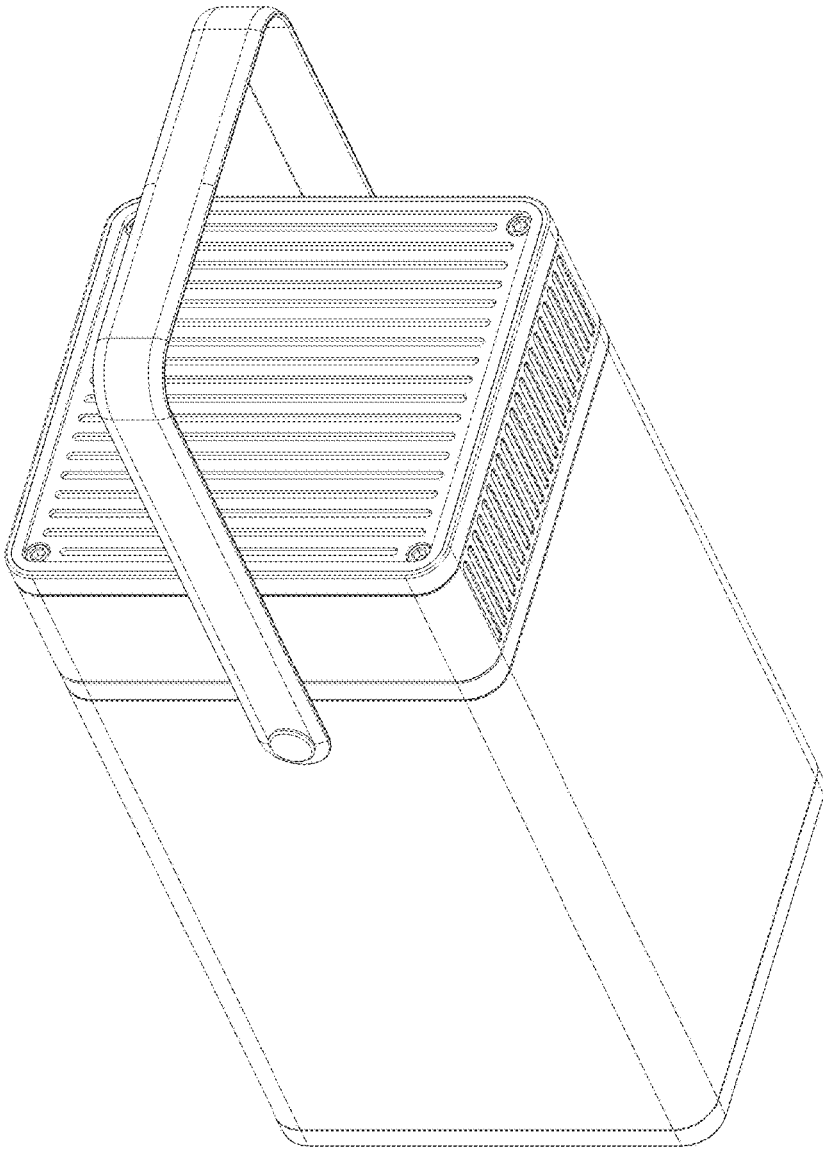


FIG.16

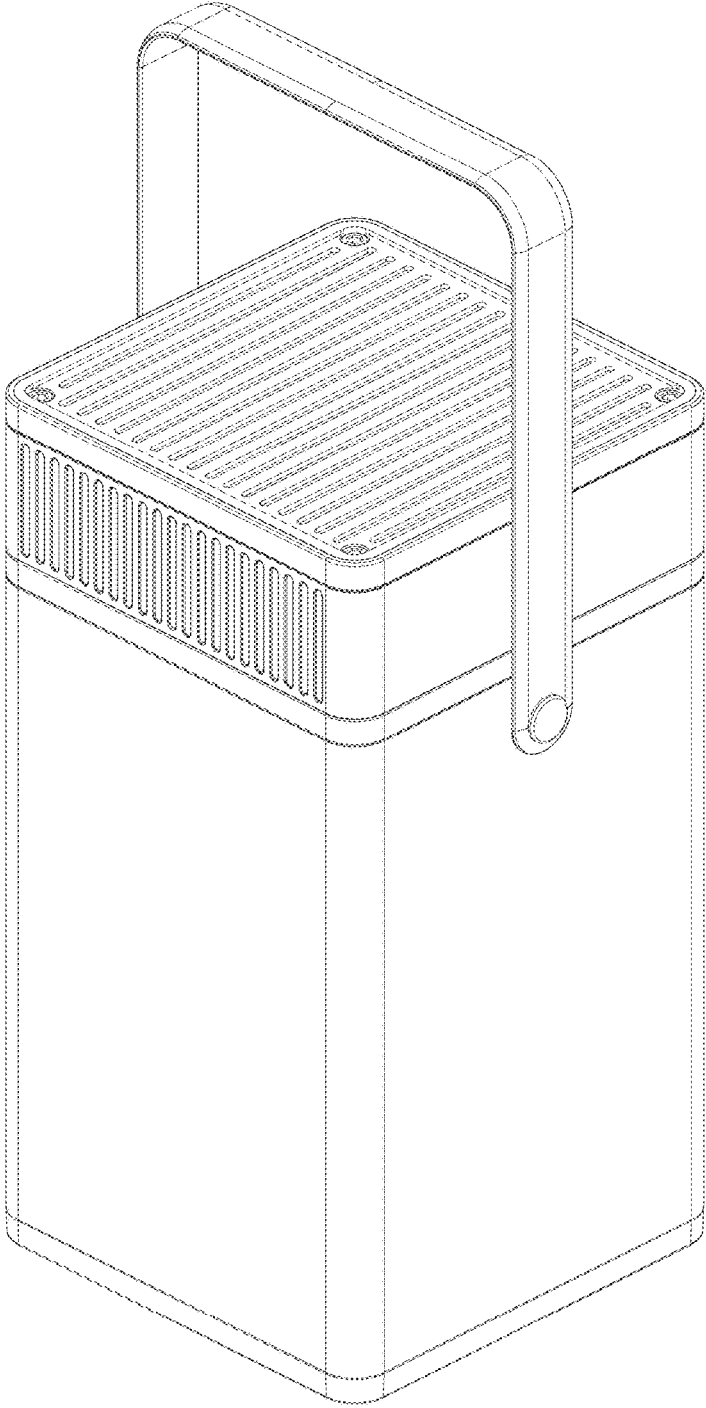


FIG.17

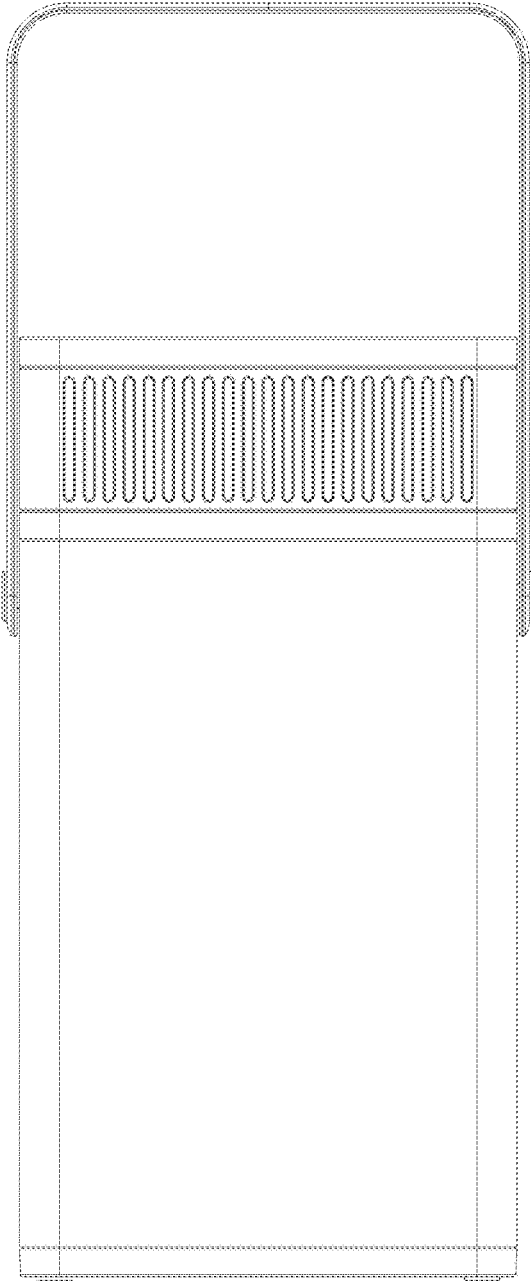


FIG. 18

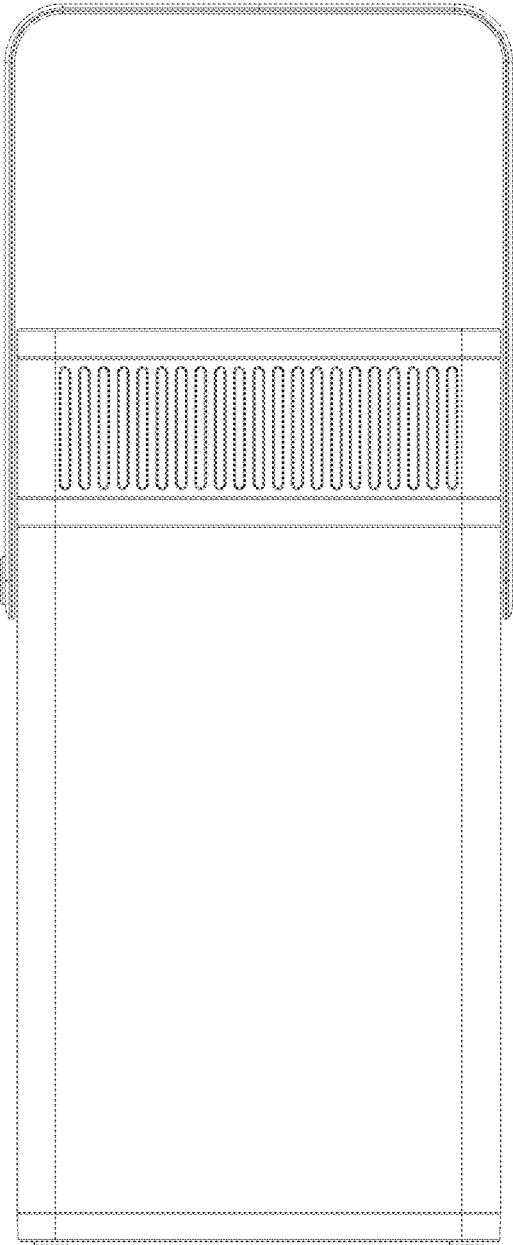


FIG.19

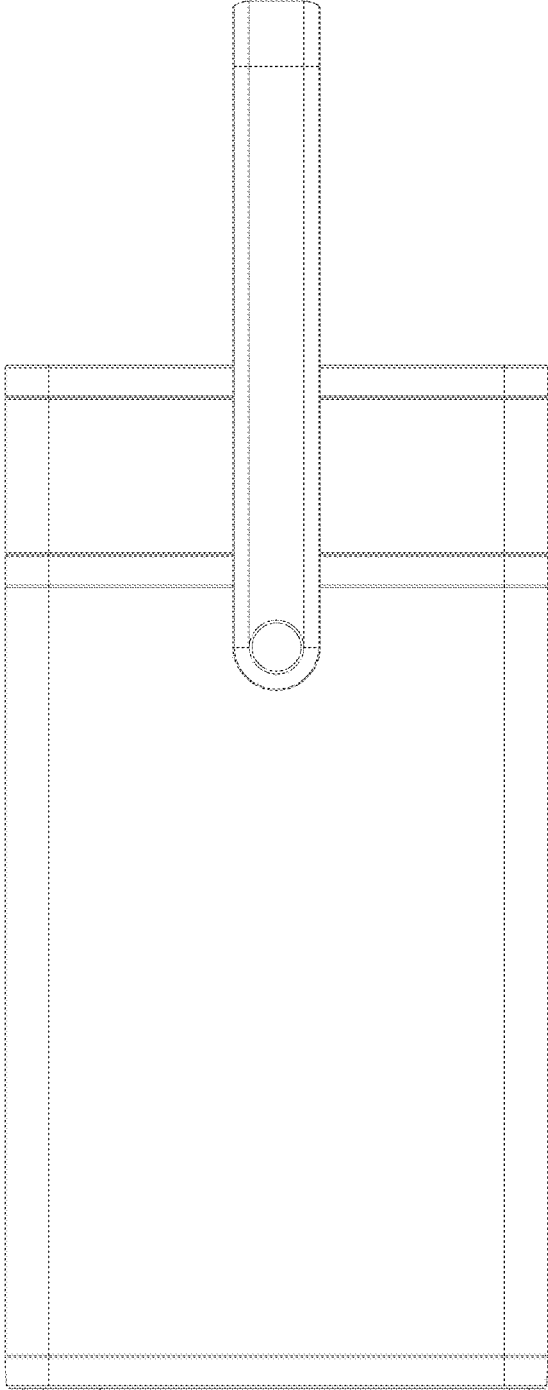


FIG.20

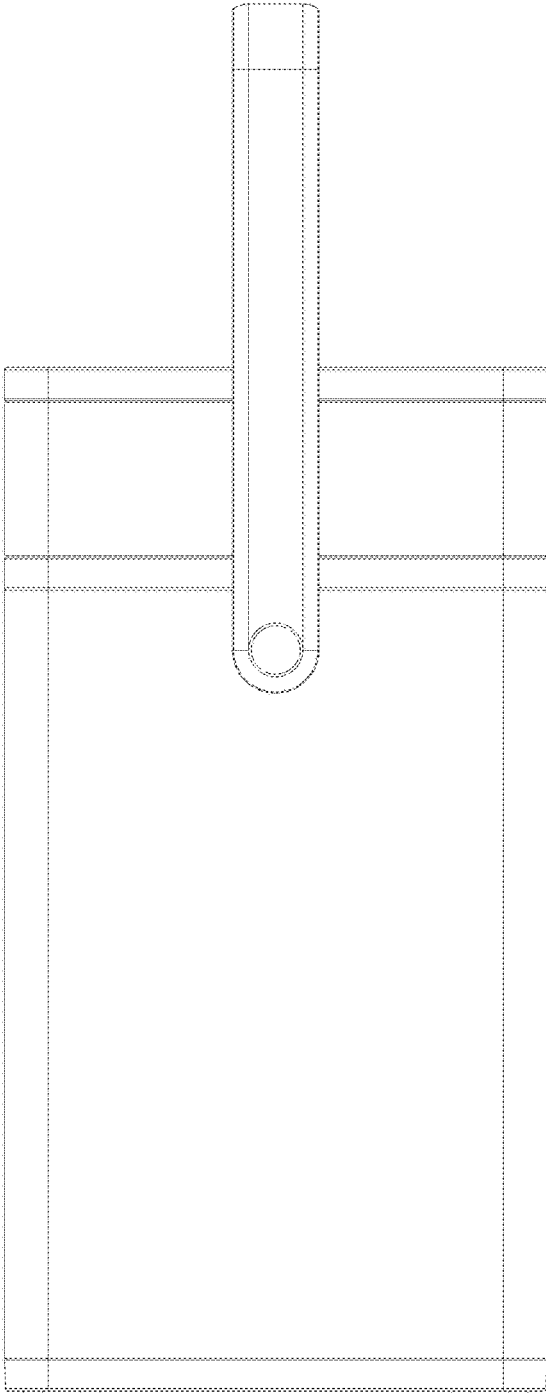


FIG. 21

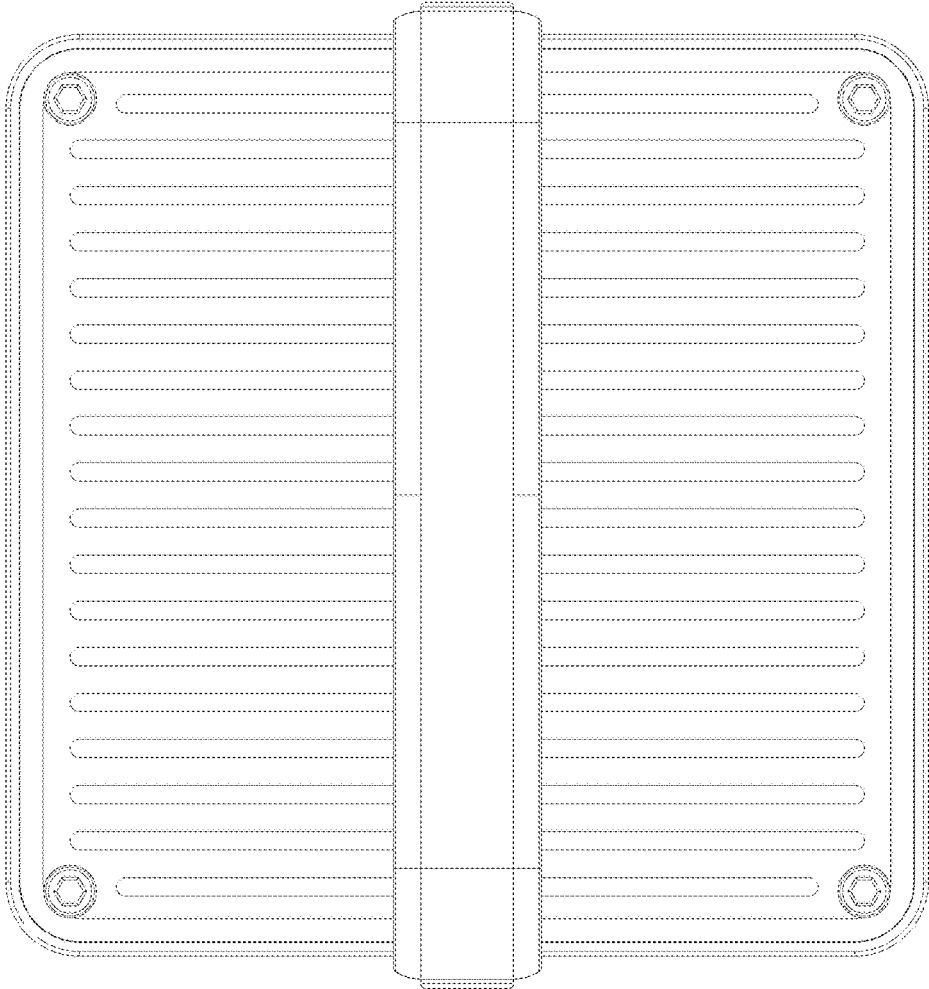


FIG.22

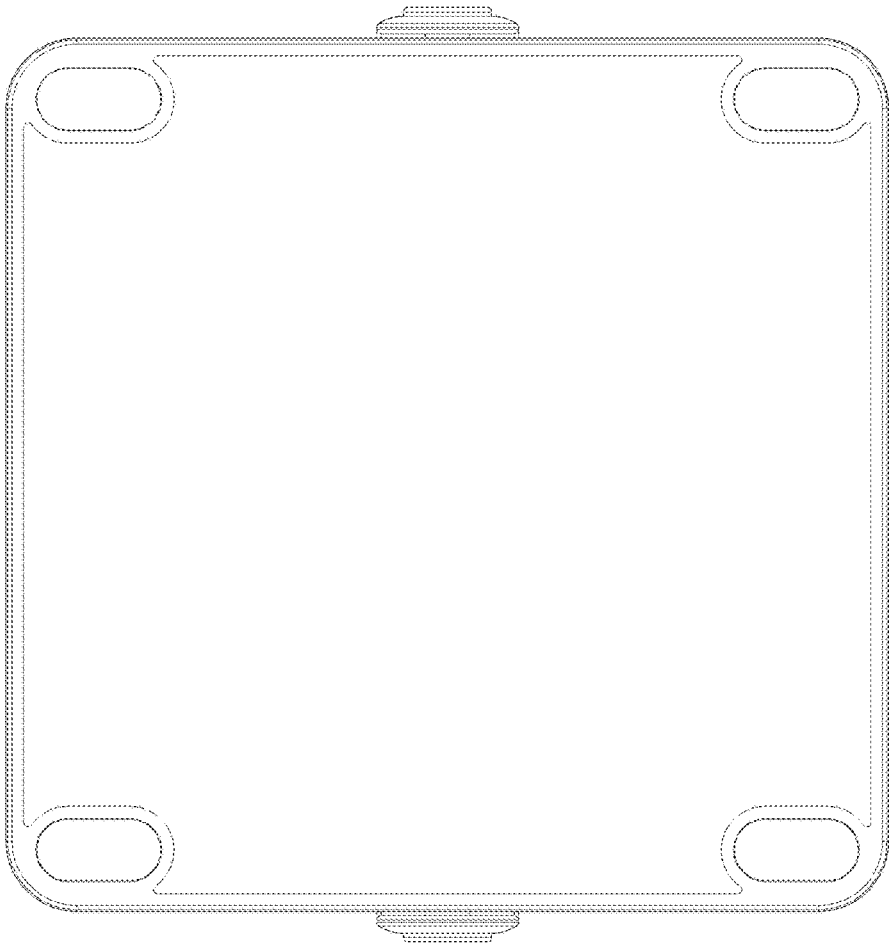


FIG. 23