



US00D896232S

(12) **United States Design Patent** (10) **Patent No.:** **US D896,232 S**
Akana et al. (45) **Date of Patent:** **** Sep. 15, 2020**

(54) **HOUSING MODULE FOR AN ELECTRONIC DEVICE**

(71) Applicant: **Apple Inc.**, Cupertino, CA (US)
(72) Inventors: **Jody Akana**, San Francisco, CA (US); **Molly Anderson**, San Francisco, CA (US); **Bartley K. Andre**, Palo Alto, CA (US); **Shota Aoyagi**, San Francisco, CA (US); **Anthony Michael Ashcroft**, San Francisco, CA (US); **Marine C. Bataille**, San Francisco, CA (US); **Jeremy Bataillou**, San Francisco, CA (US); **Markus Diebel**, San Francisco, CA (US); **Aidan R. Gallagher**, San Francisco, CA (US); **Jason M. Gillier**, San Jose, CA (US); **M. Evans Hankey**, San Francisco, CA (US); **Julian Hoenig**, San Francisco, CA (US); **Richard P. Howarth**, San Francisco, CA (US); **Jonathan P. Ive**, San Francisco, CA (US); **Julian Jaede**, San Francisco, CA (US); **Duncan Robert Kerr**, San Francisco, CA (US); **Derek C. Krass**, Santa Cruz, CA (US); **Sowmya Laxminarayanan**, San Jose, CA (US); **Jason B. Neevel**, Santa Clara, CA (US); **Peter Russell-Clarke**, San Francisco, CA (US); **Benjamin Andrew Shaffer**, San Jose, CA (US); **Jason P. Shannon**, Sunnyvale, CA (US); **Mikael Silvanto**, San Francisco, CA (US); **Sung-Ho Tan**, San Francisco, CA (US); **Clement Tissandier**, San Francisco, CA (US); **Eugene Antony Whang**, San Francisco, CA (US); **Rico Zörkendörfer**, Jackson, WY (US)

(73) Assignee: **Apple Inc.**, Cupertino, CA (US)

(**) Term: **15 Years**

(21) Appl. No.: **29/691,313**

(22) Filed: **May 15, 2019**

(51) **LOC (12) Cl.** **14-02**

(52) **U.S. Cl.**
USPC **D14/439**

(58) **Field of Classification Search**
USPC D14/341-347, 424, 425, 432-453, 464, D14/468, 469, 471, 496, 511, 138 AA, D14/138 AD, 138 C, 138 G, 203.1-203.8, D14/217, 238.1, 248, 250, 257, 299; 361/679.01, 679.02, 679.03, 679.3, 361/679.55, 679.56; 455/550.1, 556.1, 455/556.2, 575.1, 575.3-575.5, 575.8, 455/90.3

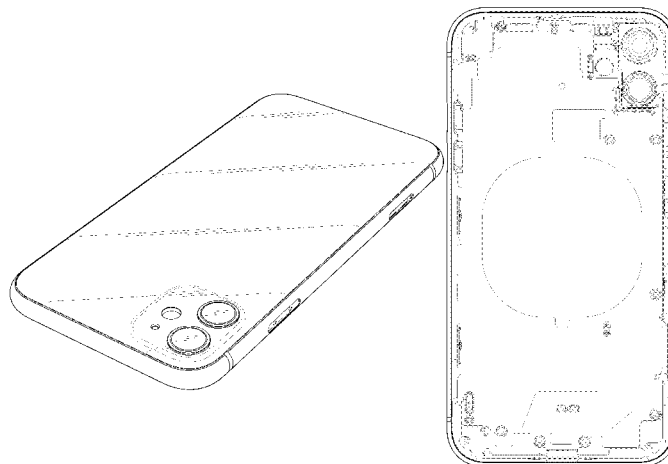
CPC H04M 1/0277; H04M 1/0202; H04M 1/02; H04B 1/3838

See application file for complete search history.

(56) **References Cited**

U.S. PATENT DOCUMENTS

D114,891 S	5/1939	Fogel
D191,070 S	8/1961	McCreery
D411,448 S	6/1999	Baker
D465,486 S	11/2002	Lee
D556,681 S	12/2007	Kim
D574,819 S	8/2008	Andre et al.
D575,056 S	8/2008	Tan
7,660,560 B2	2/2010	Zuo et al.
7,697,281 B2	4/2010	Dabov et al.
D619,361 S	7/2010	Andre et al.
D622,716 S	8/2010	Andre et al.
D623,180 S	9/2010	Diebel
D624,403 S	9/2010	Hansen et al.
7,796,381 B2	9/2010	Zuo et al.
D624,815 S	10/2010	Hansen et al.
D625,303 S	10/2010	Kim
D625,524 S	10/2010	Schwartz et al.
D627,343 S	11/2010	Andre et al.
7,911,774 B2	3/2011	Nakanishi et al.
D643,837 S	8/2011	Smith et al.
D647,519 S	10/2011	Rothbaum et al.
D648,718 S	11/2011	Andre et al.
D653,202 S	1/2012	Hasbrook et al.
D662,503 S	6/2012	Akana et al.
D666,202 S	8/2012	Dinh et al.
8,250,724 B2	8/2012	Dabov et al.
D670,281 S	11/2012	Corpuz et al.
D671,102 S	11/2012	Rothbaum et al.
D677,664 S	3/2013	Akana et al.
D677,666 S	3/2013	Akana et al.



D681,032 S 4/2013 Akana et al.
 D697,068 S 1/2014 Andre et al.
 D697,511 S 1/2014 Andre et al.
 D697,918 S 1/2014 Akana et al.
 D699,717 S 2/2014 Akana et al.
 D710,813 S 8/2014 Ichinose
 D718,753 S 12/2014 Akana et al.
 D720,747 S 1/2015 Kim et al.
 D721,346 S 1/2015 Lee et al.
 D723,495 S 3/2015 Jeong
 D723,567 S 3/2015 Akana et al.
 D729,809 S 5/2015 Akana et al.
 D730,361 S 5/2015 Akana et al.
 D732,498 S 6/2015 Huang et al.
 D732,539 S 6/2015 Akana et al.
 D733,146 S 6/2015 Akana et al.
 D735,726 S 8/2015 Chen
 9,114,487 B2 8/2015 Kiple et al.
 D743,389 S 11/2015 Akana et al.
 9,176,701 B2 11/2015 Becze
 D747,319 S 1/2016 Lee
 D747,723 S 1/2016 Kim et al.
 D749,590 S 2/2016 Dinh et al.
 D749,591 S 2/2016 Akana et al.
 D756,948 S 5/2016 Kim et al.
 D757,675 S 5/2016 Seo et al.
 D759,008 S 6/2016 Akana et al.
 D765,661 S 9/2016 Akana et al.
 D768,637 S 10/2016 Akana et al.
 D770,411 S 11/2016 Zhang
 D772,865 S 11/2016 Akana et al.
 D772,877 S 11/2016 Akana et al.
 D774,031 S 12/2016 Otani
 D777,155 S 1/2017 Kim et al.
 D778,905 S 2/2017 Akana et al.
 D780,742 S 3/2017 Guerdrum et al.
 D781,807 S 3/2017 Hubbard et al.
 D791,139 S * 7/2017 Akana D14/439
 D791,732 S 7/2017 Xu et al.
 D795,260 S 8/2017 Schlossberg et al.
 D796,469 S 9/2017 Jin
 D798,260 S 9/2017 Seo et al.
 D800,716 S 10/2017 Akana et al.
 D803,209 S 11/2017 Akana et al.
 D806,705 S 1/2018 Akana et al.
 D815,632 S 4/2018 Akana et al.
 D815,633 S 4/2018 Akana et al.
 D815,634 S 4/2018 Akana et al.
 D816,649 S 5/2018 Song et al.
 D824,389 S * 7/2018 Dinh D14/439
 D824,390 S * 7/2018 Akana D14/439
 D831,025 S * 10/2018 Akana D14/341
 D832,266 S * 10/2018 Akana D14/439
 D832,267 S * 10/2018 Akana D14/439
 D848,999 S * 5/2019 Akana D14/341
 D849,009 S * 5/2019 Akana D14/439
 D849,010 S * 5/2019 Akana D14/439
 D852,197 S * 6/2019 Akana D14/439
 D856,337 S * 8/2019 Akana D14/439
 D856,338 S * 8/2019 Akana D14/439
 D873,832 S * 1/2020 Akana D14/439
 2006/0281501 A1 12/2006 Zuo et al.
 2009/0245565 A1 10/2009 Mittleman et al.
 2010/0146766 A1 6/2010 Dabov et al.
 2012/0008266 A1 1/2012 Nomura
 2012/0092812 A1 4/2012 Lewis et al.

OTHER PUBLICATIONS

Apple Launches iPhone 8 and iPhone 8 Plus Starting at \$699, posted Sep. 12, 2017, [retrieved May 9, 2018]. Retrieved from Internet:

(URL: <https://www.guidingtech.com/72676/apple-launches-iphone8/>).

Back Rear Housing Cover Battery Door Replacement Part for iPhone 8/8 Plus, Quality, posted unknown, [retrieved May 9, 2018]. Retrieved from Internet: URL:[http://domobest.manufacturer.globalsources.com/si/6008848956994/pdfl/Repair-part/1157196030/Battery- . . .](http://domobest.manufacturer.globalsources.com/si/6008848956994/pdfl/Repair-part/1157196030/Battery-. . . .)).

Fingas, Roger, "Leak claims to show schematic for 2019's upcoming 'iPhone XI'," Mar. 28, 2019. Available online at (<https://appleinsider.com/articles/19/03/28/leak-claims-to-show-schematic-for-2019s-upcoming-iphone-xi>).

HTC: Apple ripped off our unibody phone design and antenna bands, not the other way round, posted Oct. 22, 2015, [retrieved May 9, 2018]. Retrieved from Internet: (URL: <http://www.idownloadblog.com/2015/10/22/htc-antenna-design-statement/>).

iPhone 6 Back Housing Replacement (Space Gray), posted Apr. 21, 2014, [retrieved May 9, 2018]. Retrieved from Internet, (URL: <https://www.phonepartworld.com/iphone-6-aluminium-back-housing-replacement-gray>).

Replacement for iPhone X Rear Housing with Frame-White, posted unknown, [retrieved May 9, 2018]. Retrieved from Internet: (URL:<https://www.unionrepair.com/replacement-for-iphone-x-rear-housing-with-frame-white.html>).

Team Digit, "Exclusive: First look at 2019 Apple iPhone XI renders," Jan. 6, 2019. Available online at (<https://www.digit.in/news/mobile-phones/exclusive-first-look-at-2019-iphone-xi-renders-45655.html>).

The iPhone 8 is excellent, but not for everyone, posted Sep. 19, 2017, [retrieved May 9, 2018]. Retrieved from Internet: (URL: <https://mashable.com/2017/09/19/apple-iphone-8-and-iphone-8-plus-review/#OyLRIFRkql>).

Twitter, ©OnLeaks, "Excitement level over 9000!!!" Jan. 5, 2019. Available online at (<https://twitter.com/OnLeaks/status/1081902300434780161>).

Wayback Machine Internet Archive, "iPhone 7 Pre-order Sep. 9," Apple Inc., dated Sep. 7, 2016, accessed Jan. 16, 2018. Available online at (<https://web.archive.org/web/20160907191555https://www.apple.com/shop/buy-iphone/iphone-7>).

* cited by examiner

Primary Examiner — Austin Murphy
 (74) Attorney, Agent, or Firm — Sterne, Kessler, Goldstein & Fox, P.L.L.C.

(57) CLAIM

The ornamental design for a housing module for an electronic device, as shown.

DESCRIPTION

FIG. 1 is a bottom front perspective view of a housing module for an electronic device showing the claimed design; FIG. 2 is a top rear perspective view thereof; FIG. 3 is a front view thereof; FIG. 4 is a rear view thereof; FIG. 5 is a left side view thereof; FIG. 6 is a right side view thereof; FIG. 7 is a top view thereof; and, FIG. 8 is a bottom view thereof.

The broken lines in the figures show portions of the housing module for an electronic device that form no part of the claimed design.

1 Claim, 6 Drawing Sheets

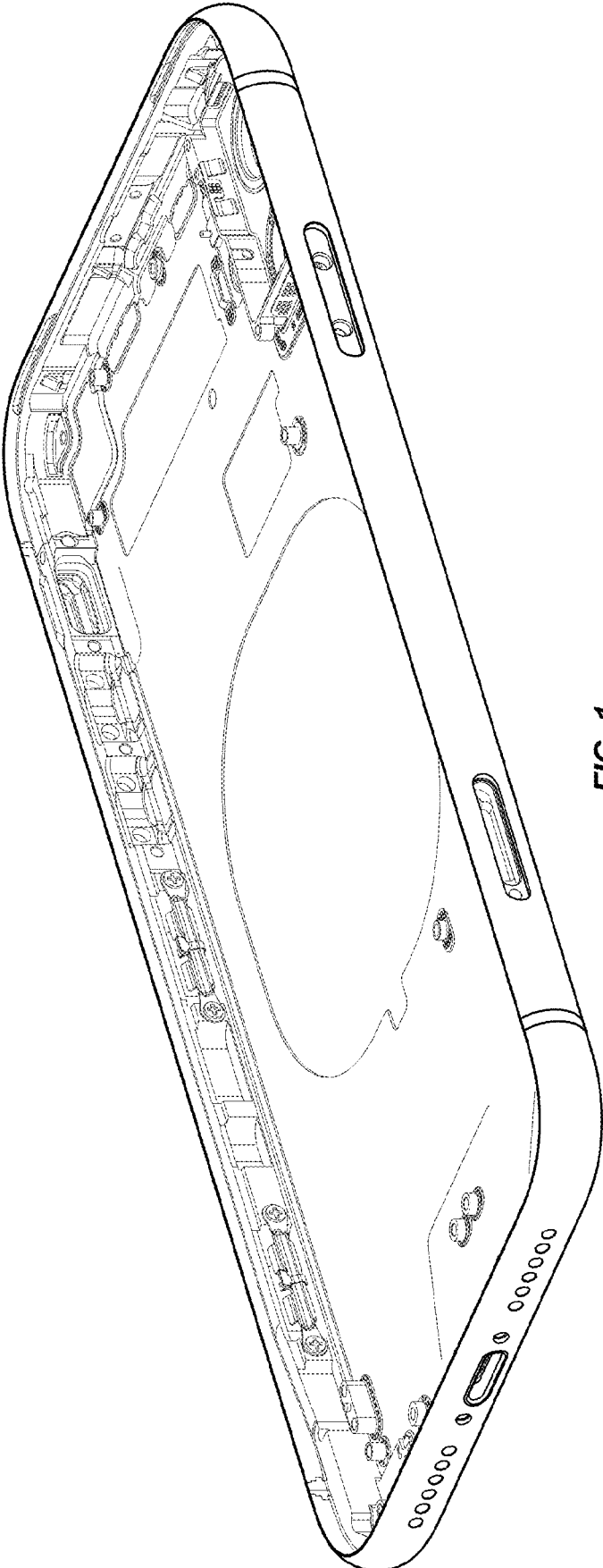


FIG. 1

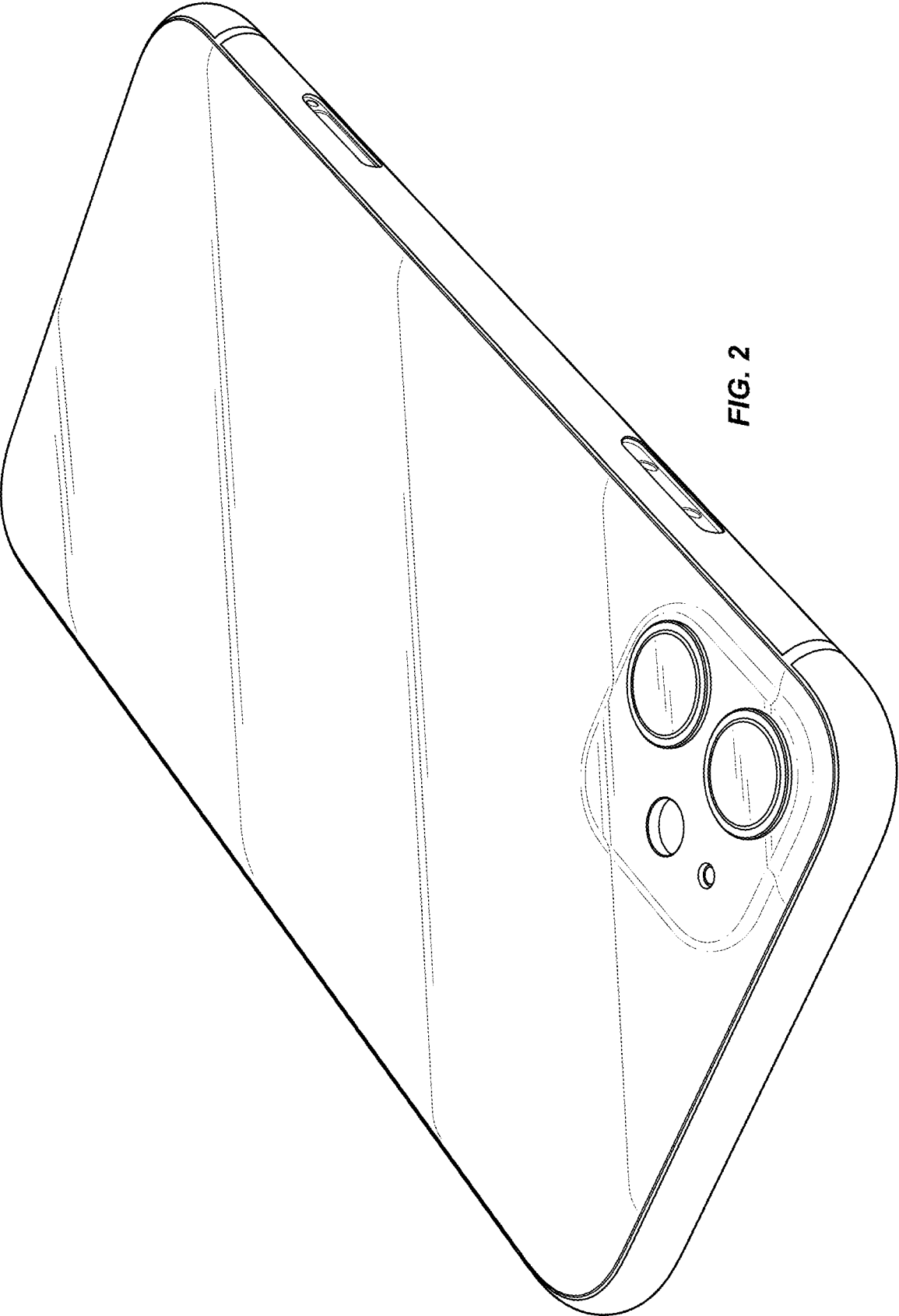


FIG. 2

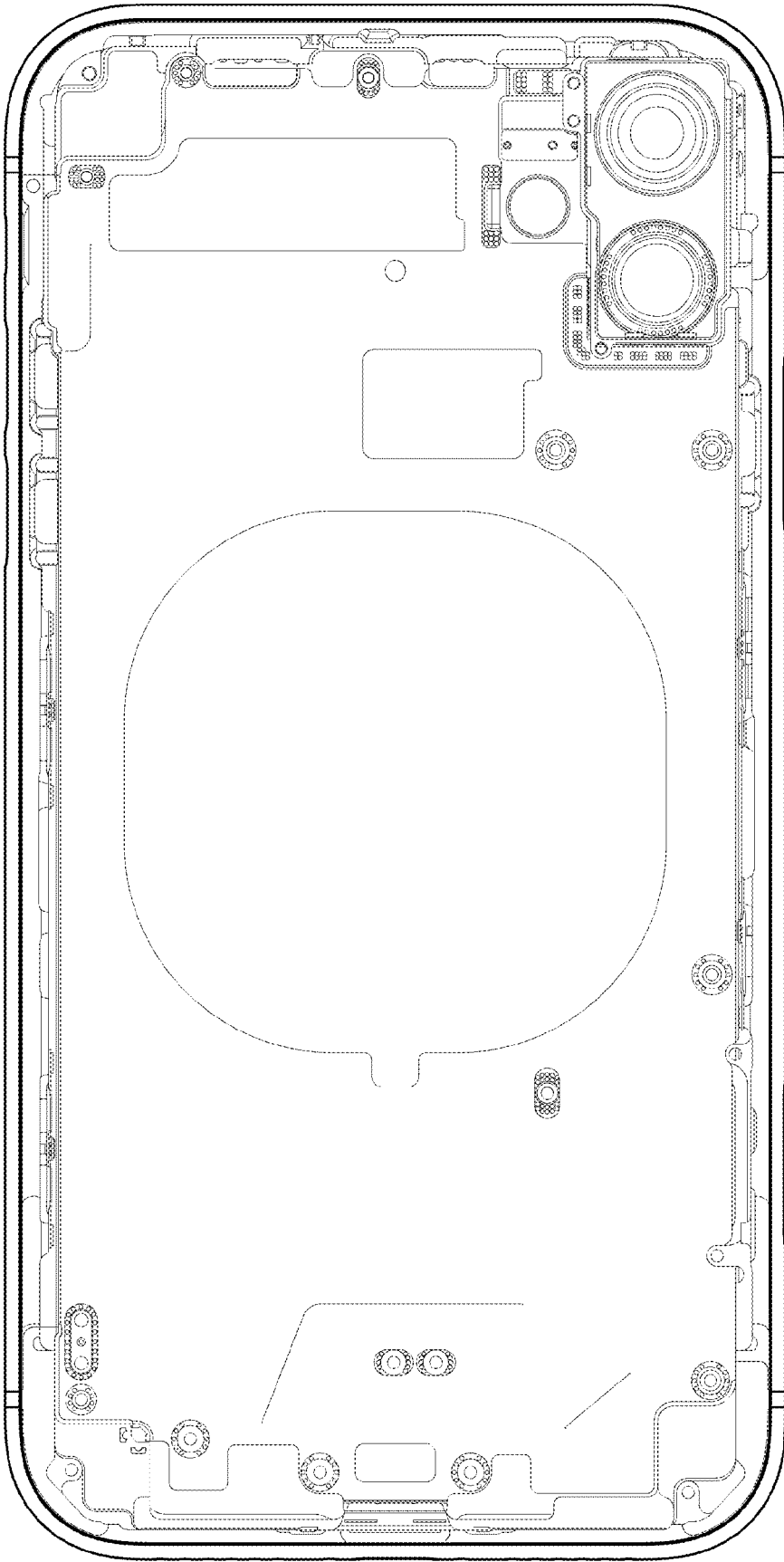


FIG. 3

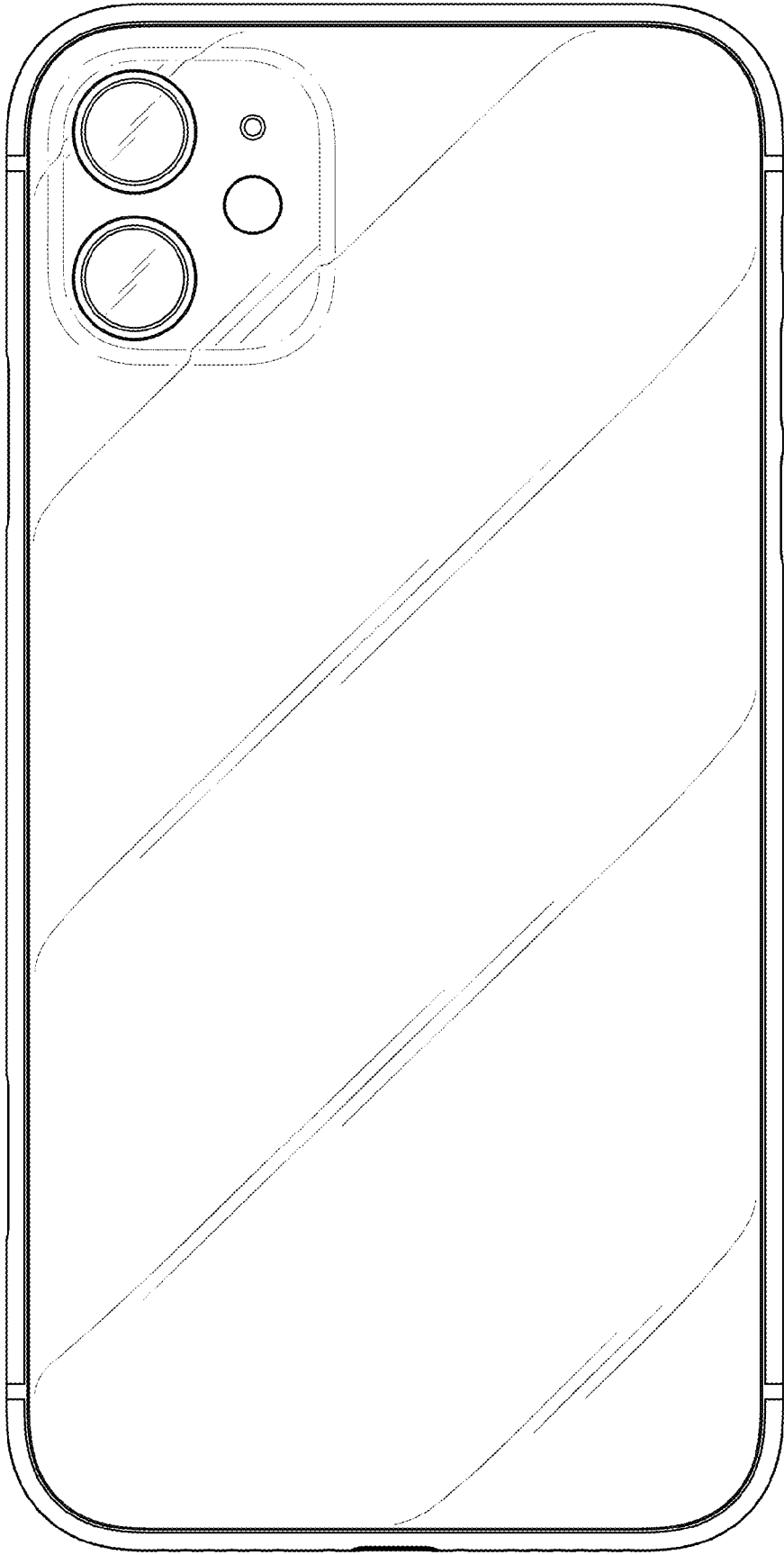


FIG. 4



FIG. 5

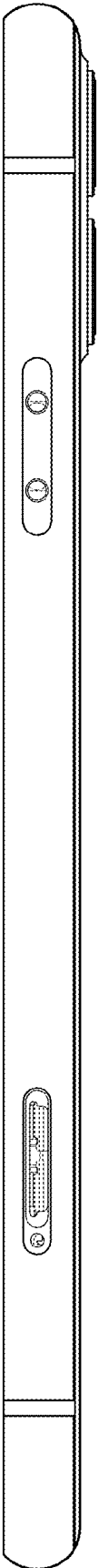


FIG. 6



FIG. 7

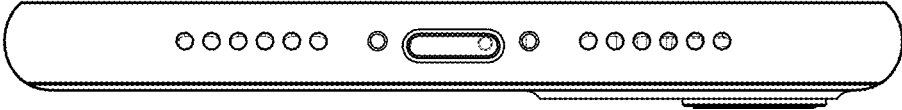


FIG. 8