



US00D425917S

# United States Patent [19] Brunson

[11] Patent Number: Des. 425,917

[45] Date of Patent: \*\* May 30, 2000

[54] STABILIZER FOR A SLIDING COMPOUND MITER SAW

5,347,902 9/1994 Brickner et al. .  
5,564,323 10/1996 Sasaki et al. .

[75] Inventor: Mark E. Brunson, Abingdon, Md.

[73] Assignee: Black & Decker Inc., Newark, Del.

[\*\*] Term: 14 Years

[21] Appl. No.: 29/094,406

[22] Filed: Oct. 1, 1998

### Related U.S. Application Data

[62] Division of application No. 29/072,691, Jun. 19, 1997, Pat. No. Des. 404,043.

[51] LOC (7) Cl. .... 15-09

[52] U.S. Cl. .... D15/133

[58] Field of Search ..... D15/133; 83/477, 83/581, 226-283

### [56] References Cited

#### U.S. PATENT DOCUMENTS

- D. 345,743 4/1994 Garcia .
- D. 389,494 1/1998 Chen .

### FOREIGN PATENT DOCUMENTS

63-147801 6/1991 Japan .

Primary Examiner—Antoine Duval Davis  
Attorney, Agent, or Firm—Harness, Dickey & Pierce, P.L.C.

### [57] CLAIM

The ornamental design for a stabilizer for a sliding compound miter saw, as shown and described.

### DESCRIPTION

FIG. 1 is a perspective view of the design for a stabilizer for a sliding compound miter saw according to the present invention;

FIG. 2 is a perspective view thereof;

FIG. 3 is a top plan view thereof;

FIG. 4 is a right side elevational view thereof

FIG. 5 is a front elevational view thereof; and,

FIG. 6 is a rear elevational view thereof.

The broken line showing of the sliding compound miter saw is for illustrative purposes only and forms no part of the claimed design.

1 Claim, 2 Drawing Sheets

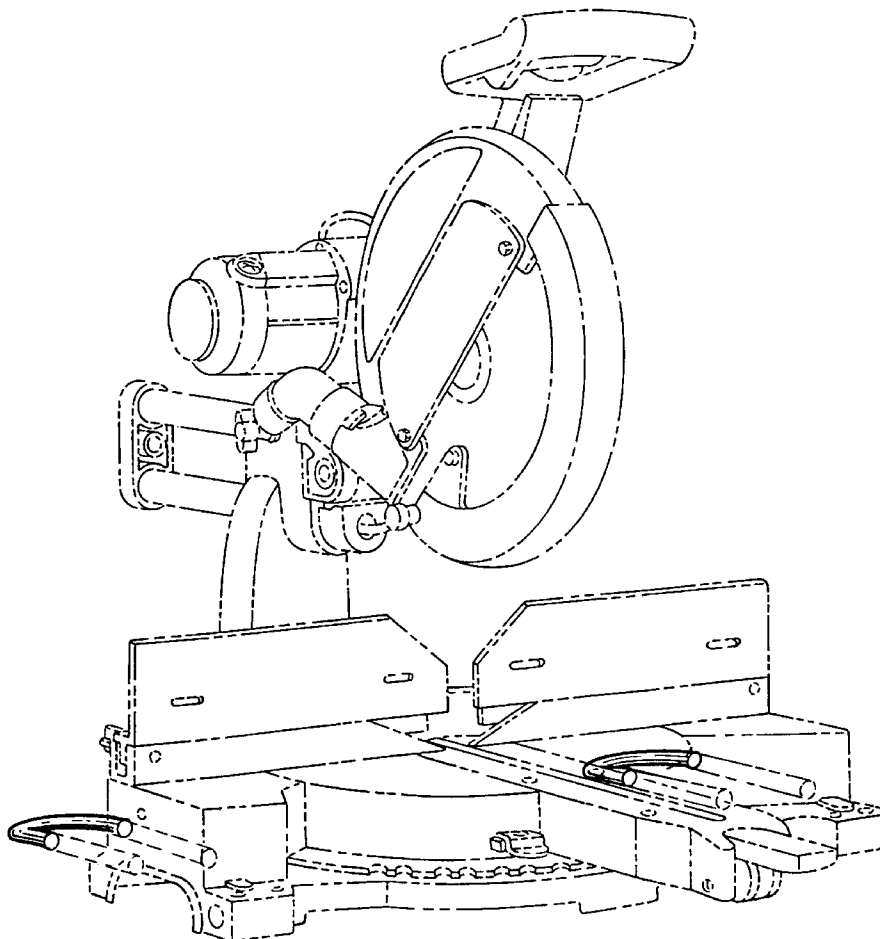
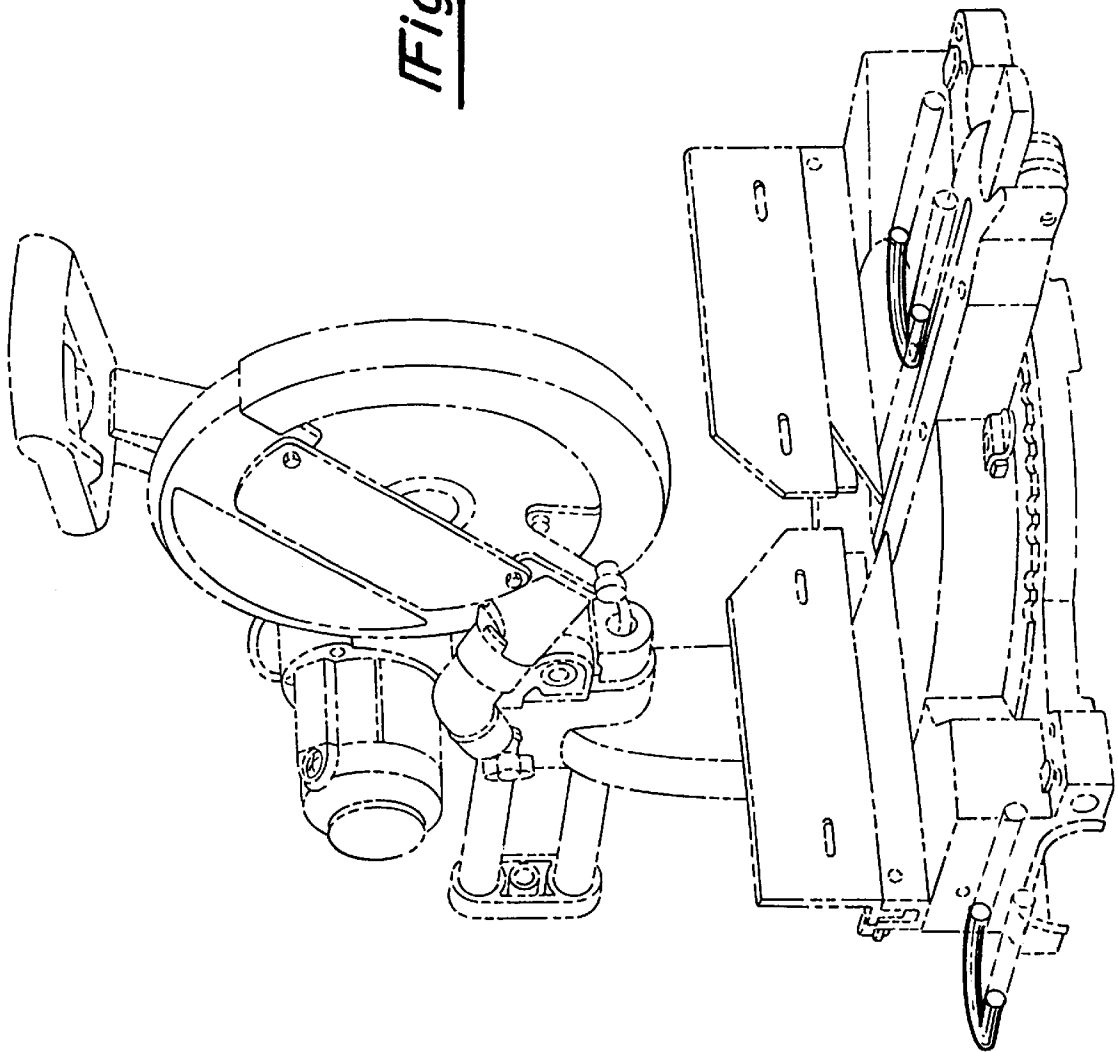


Fig-1



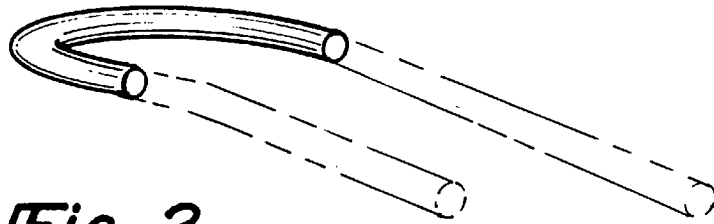


Fig-2

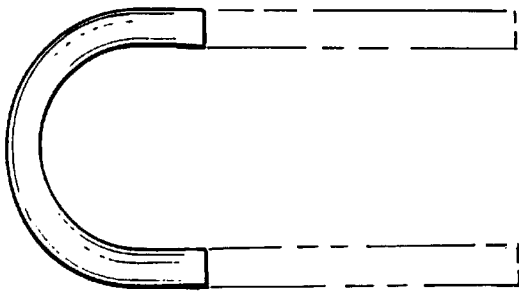


Fig-3

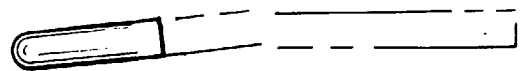


Fig-4



Fig-5



Fig-6