

- [54] **COMBINED FOLDABLE TABLE AND MULTIPLE SEAT UNIT**
- [75] **Inventor:** Richard G. Reineman, Newport Beach, Calif.
- [73] **Assignee:** Rol-Fol Table, Inc., Van Nuys, Calif.
- [**] **Term:** 14 Years
- [21] **Appl. No.:** 215,026
- [22] **Filed:** Dec. 10, 1980
- [51] **Int. Cl.** D6-05
- [52] **U.S. Cl.** D6/45
- [58] **Field of Search** D6/42-45, D6/177-179

- [56] **References Cited**
- U.S. PATENT DOCUMENTS**
- | | | | |
|-----------|---------|--------------|---------|
| 3,075,809 | 1/1963 | Wilson | 297/159 |
| 3,099,480 | 7/1963 | Wilson | 297/159 |
| 3,109,678 | 11/1963 | Wilson | 297/159 |

OTHER PUBLICATIONS

Rol-Fol Table Inc., Adv. submitted by applicant, Circular "Custom-Fold Table.
Sico brochure entitled "Mobile Tables and Seating System".

Rol-Fol promotional material entitled "A-Fol Master-Fold".
 Rol-Fol promotional material entitled "Wall-Fol".
 Rol-Fol promotional material-entitled "B-Fol Custom-Fold".
 Hamilton brochure entitled "Mobile Folding Furniture".
 Midwest promotional material entitled "Specifications".
 Mitchell promotional material entitled "Mitchell Gemini PorTable".
 Krueger promotional material entitled "Uniframe Rollaway Tables with Stool Seats".

Primary Examiner—Bruce W. Dunkins
Attorney, Agent, or Firm—Knobbe, Martens

[57] **CLAIM**

The ornamental design for a combined foldable table and multiple seat unit, as shown and described.

DESCRIPTION

FIG. 1 is a top plan view of a combined foldable table and multiple seat unit showing my new design; FIG. 2 is a side elevational view thereof; and FIG. 3 is an end view thereof.
 The design is characterized by the leg and support features of the seat, as best illustrated in FIG. 3.

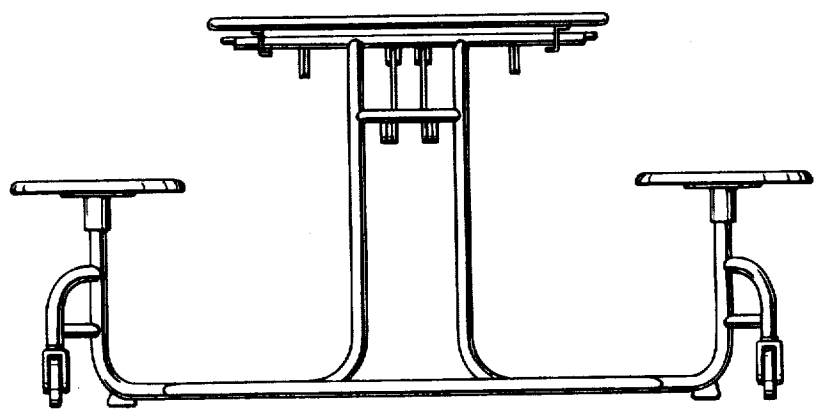


Fig. 1

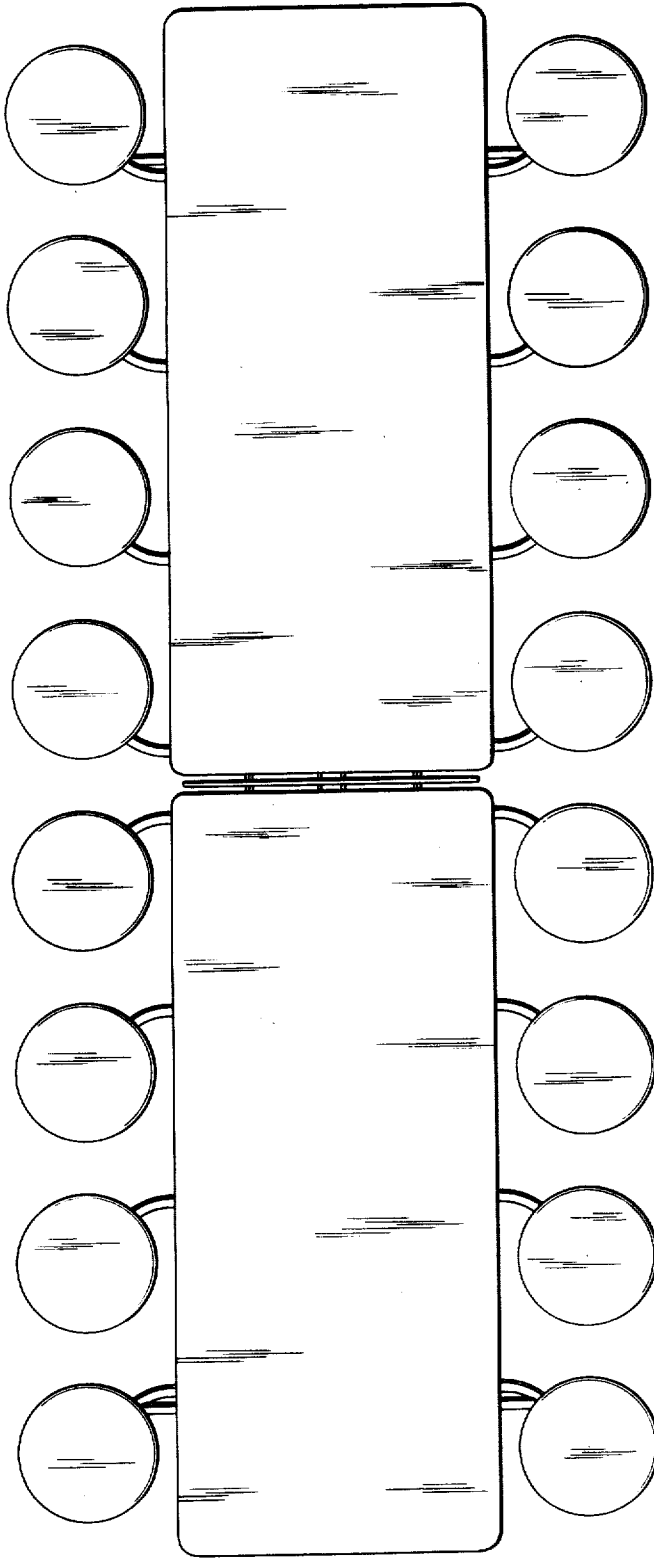
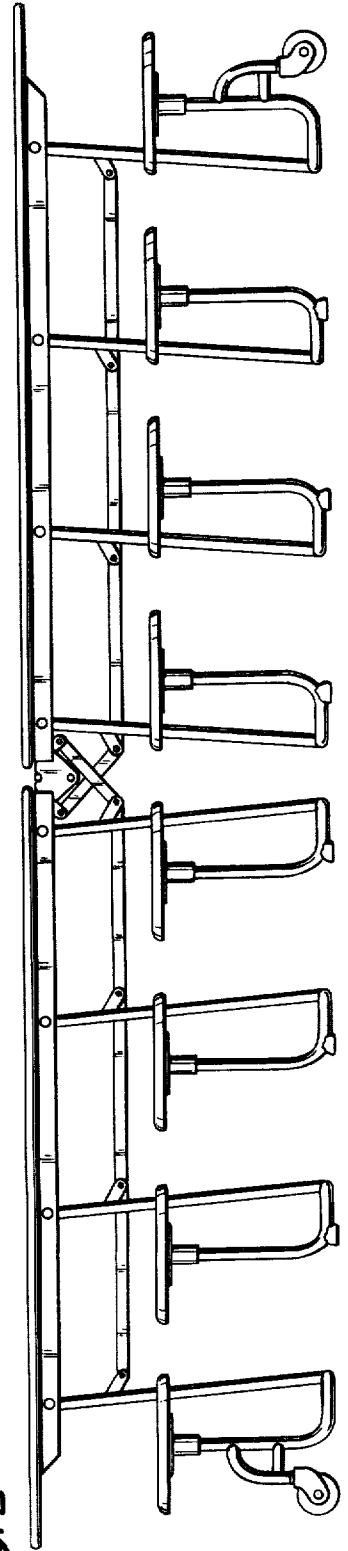


Fig. 2



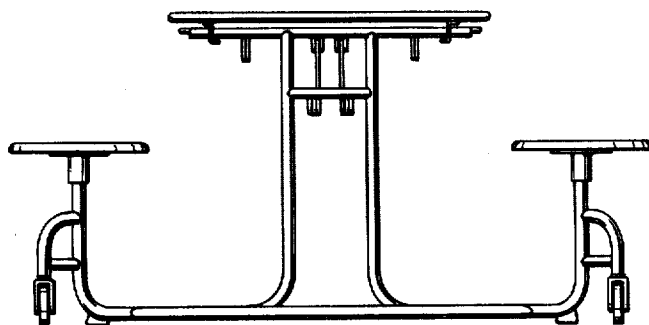


Fig. 3