



(12) **United States Design Patent**
Morgan et al.

(10) **Patent No.:** **US D852,530 S**
(45) **Date of Patent:** **** Jul. 2, 2019**

- (54) **UPHOLSTERY DESIGN FOR AN EXAMINATION CHAIR**
- (71) Applicant: **Reliance Medical Products, Inc.**,
Mason, OH (US)
- (72) Inventors: **Katherine Morgan**, Gahanna, OH (US); **Erik Turocy**, Gahanna, OH (US); **Aaron Searles**, Gahanna, OH (US)
- (73) Assignee: **Reliance Medical Products, Inc.**,
Mason, OH (US)
- (**) Term: **15 Years**
- (21) Appl. No.: **29/681,363**
- (22) Filed: **Feb. 25, 2019**

D278,668 S *	5/1985	Simpkins	297/325
D300,657 S *	4/1989	Simpkins	D24/183
D321,097 S *	10/1991	Jones	D6/367
D347,946 S *	6/1994	Nordstrom	D24/183
D354,177 S *	1/1995	Schwaegerle	D24/183
D361,438 S *	8/1995	Spencer	D6/367
D378,961 S *	4/1997	Nordstrom	D6/367
D379,409 S *	5/1997	Schwaegerle	D6/367
D462,189 S *	9/2002	Brockway	D6/367
D683,154 S *	5/2013	Hoelbl	D6/367
9,456,948 B1 *	10/2016	Lazarof	A61G 15/12

* cited by examiner

Primary Examiner — Mimosa De
(74) *Attorney, Agent, or Firm* — Ryan O. White; Taft Stettinius & Hollister LLP

Related U.S. Application Data

- (62) Division of application No. 29/577,254, filed on Sep. 12, 2016.
- (51) **LOC (11) Cl.** **06-01**
- (52) **U.S. Cl.**
USPC **D6/367**
- (58) **Field of Classification Search**
USPC D6/334-336, 356, 364, 365, 366, 367,
D6/374, 716, 716.1, 716.2, 716.4, 716.5;
D24/183
CPC A47C 1/10; A47C 3/12; A47C 7/36; A47C
7/38; A61G 15/02; A61G 15/12; A61G
15/125
See application file for complete search history.

References Cited

U.S. PATENT DOCUMENTS

2,985,228 A *	5/1961	Golden	A47C 1/06 297/409
D218,028 S *	7/1970	Lohr	D6/356
D264,774 S *	6/1982	McGirk	D6/356

(57) **CLAIM**

The ornamental design for the upholstery design for an examination chair, as shown and described.

DESCRIPTION

FIG. 1 is a front perspective view of an upholstery design for an examination chair that shows our new, original and ornamental design.

FIG. 2 is a front view of the upholstery design for an examination chair of FIG. 1.

FIG. 3 is a back view of the upholstery design for an examination chair of FIG. 1.

FIG. 4 is a left side view of the upholstery design for an examination chair of FIG. 1.

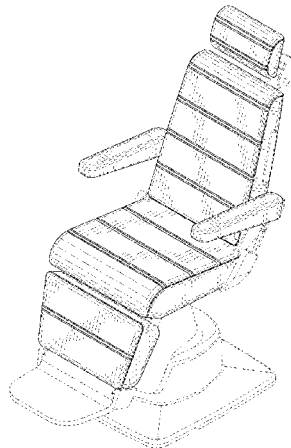
FIG. 5 is a right side view of the upholstery design for an examination chair of FIG. 1.

FIG. 6 is a top view of the upholstery design for an examination chair of FIG. 1; and,

FIG. 7 is a bottom view of the upholstery design for an examination chair of FIG. 1.

The broken lines in the drawings depict portions of an examination chair that form no part of the claim design.

1 Claim, 6 Drawing Sheets



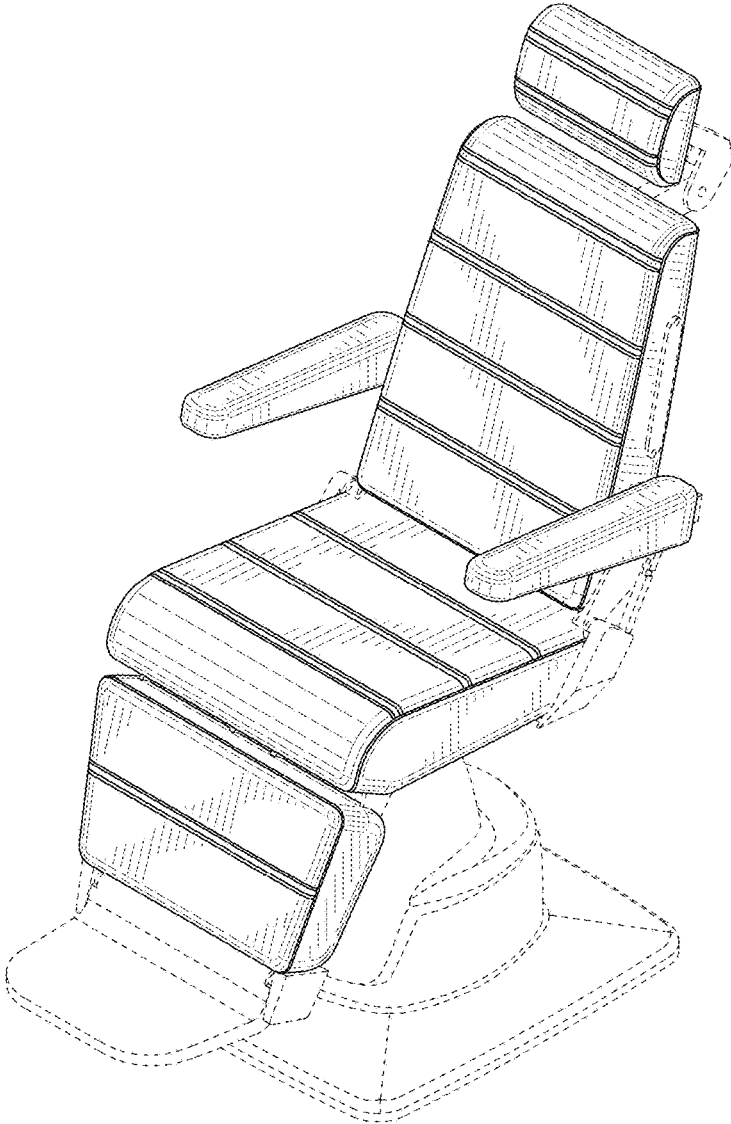


FIG. 1

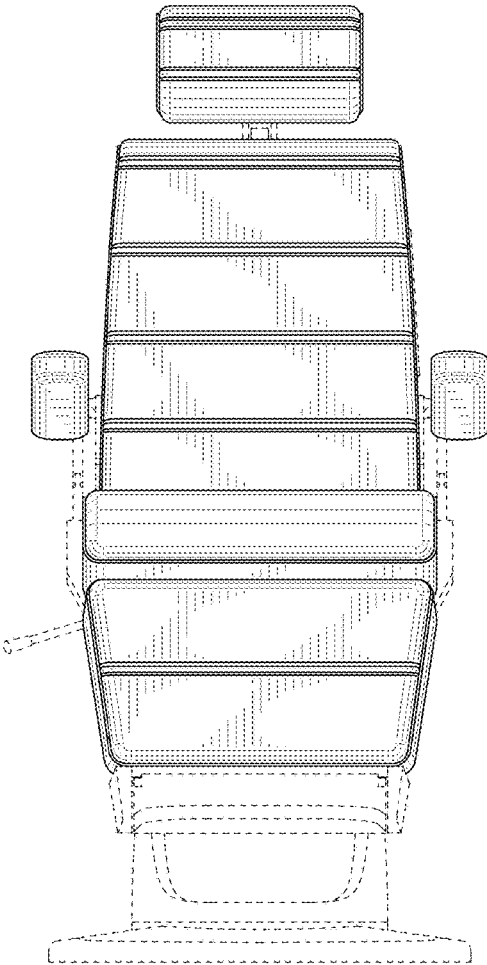


FIG. 2

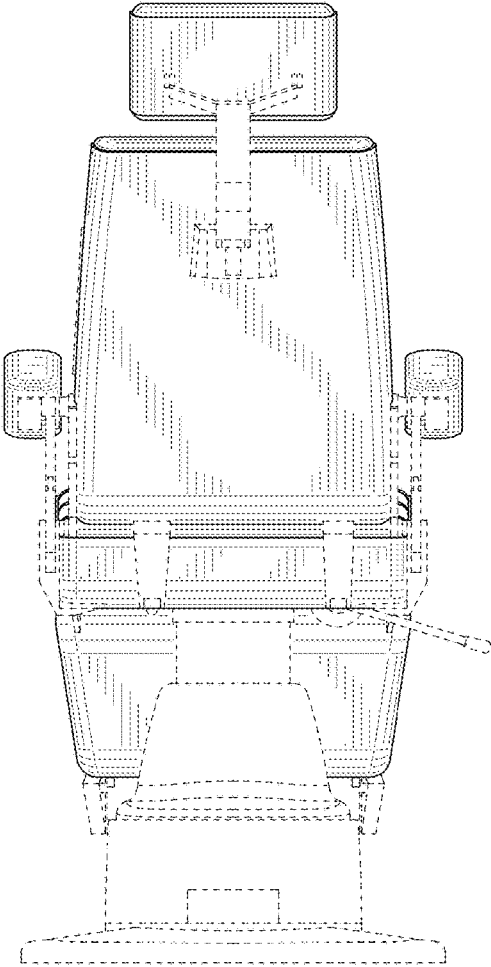


FIG. 3

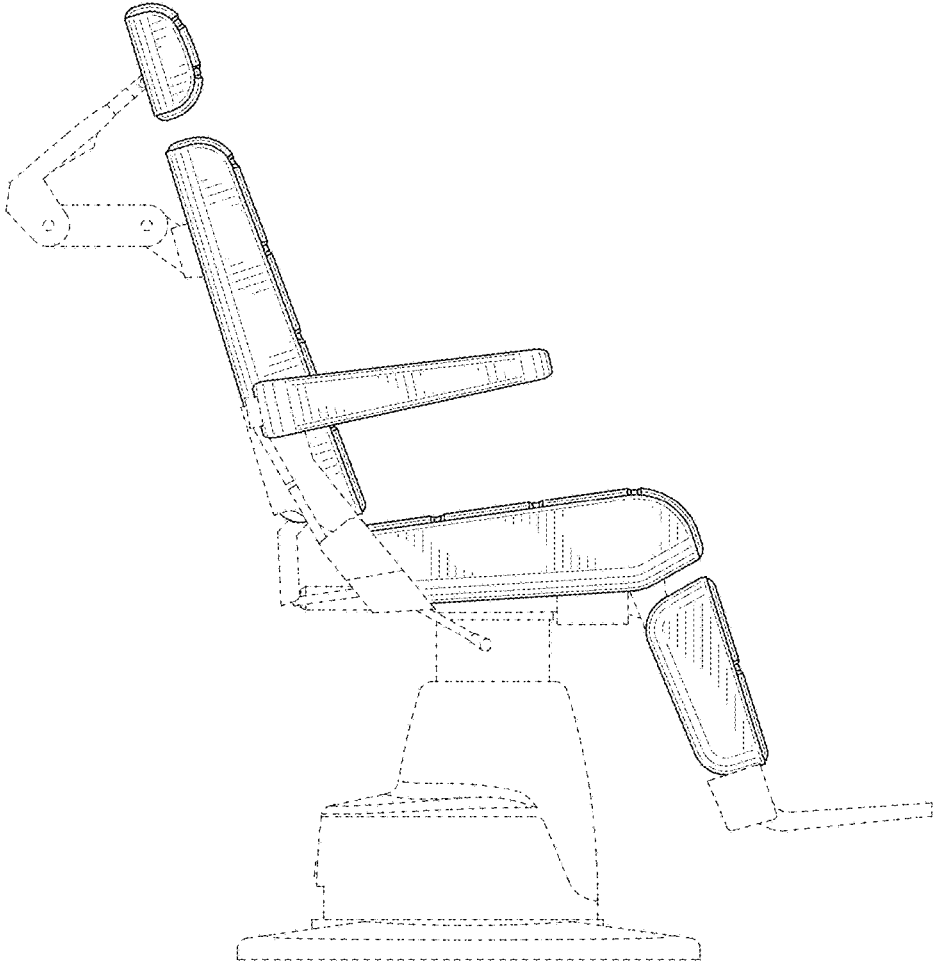


FIG. 4

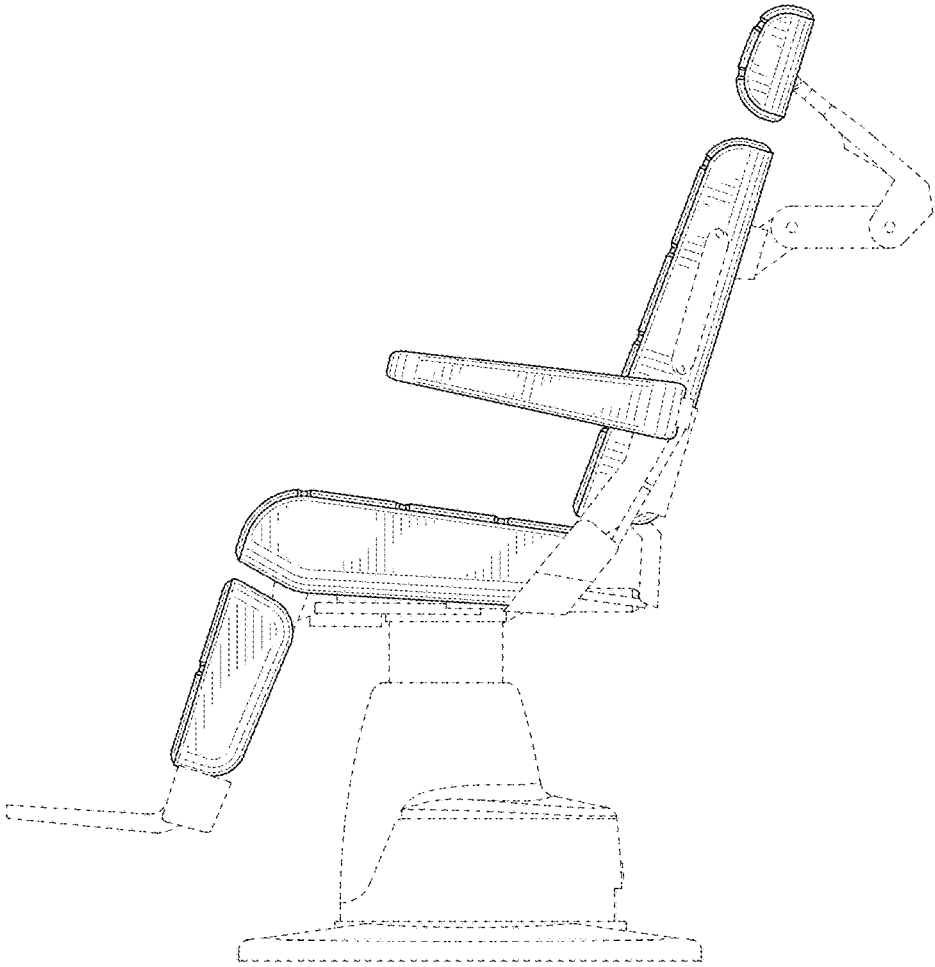


FIG. 5

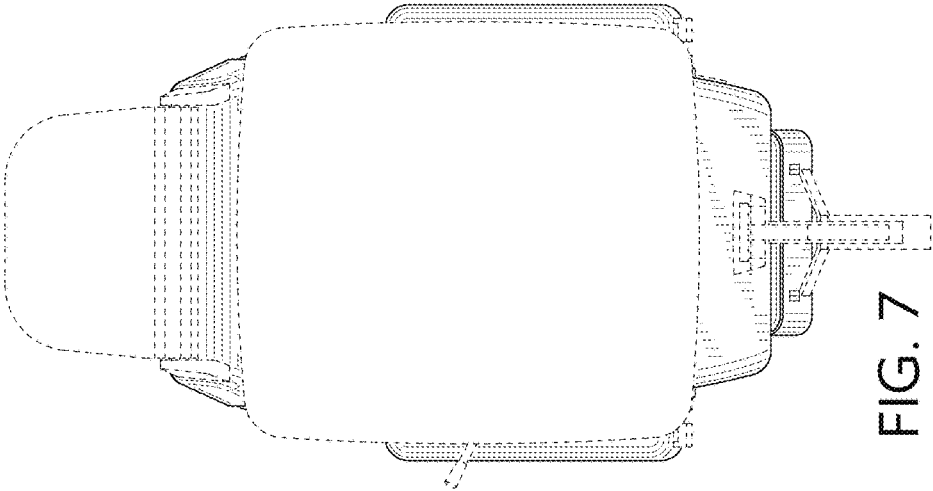


FIG. 7

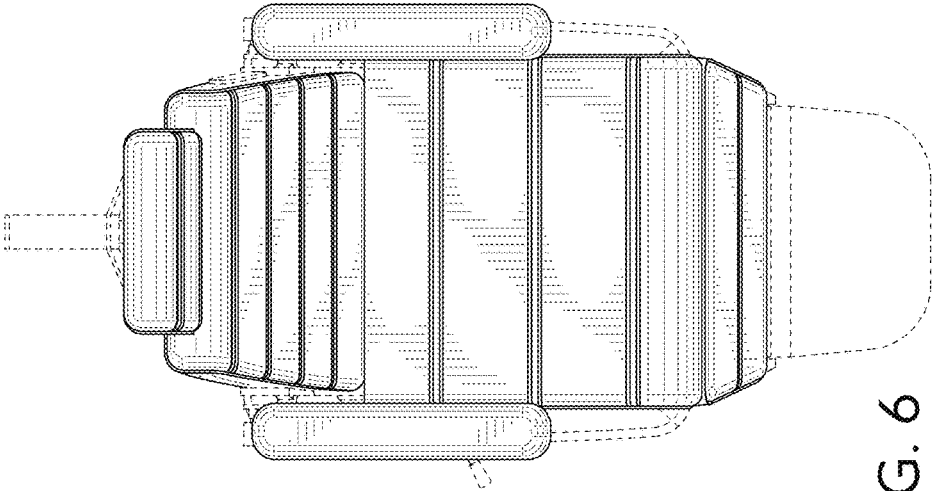


FIG. 6