



US00D674883S

(12) **United States Design Patent**
Ball

(10) **Patent No.:** **US D674,883 S**

(45) **Date of Patent:** **** *Jan. 22, 2013**

(54) **FLEXIBLE BATHTUB WASTE PIPE ASSEMBLY**

(75) Inventor: **William T. Ball**, Colorado Springs, CO (US)

(73) Assignee: **WCM Industries, Inc.**, Colorado Springs, CO (US)

(*) Notice: This patent is subject to a terminal disclaimer.

(**) Term: **14 Years**

(21) Appl. No.: **29/396,333**

(22) Filed: **Jun. 29, 2011**

Related U.S. Application Data

(63) Continuation-in-part of application No. 12/100,762, filed on Apr. 10, 2008, which is a continuation-in-part of application No. 10/971,895, filed on Oct. 22, 2004.

(51) **LOC (9) Cl.** **23-01**

(52) **U.S. Cl.** **D23/266**

(58) **Field of Classification Search** D23/238, D23/249, 259, 262, 266; 285/179, 179.1; 4/679, 680, 686-687

See application file for complete search history.

(56) **References Cited**

U.S. PATENT DOCUMENTS

37,956 A	3/1863	Doytt
437,289 A	9/1890	Clark
1,018,021 A	2/1912	Willets
1,068,039 A	7/1913	Clark
1,213,466 A	1/1917	Delanoy
1,692,710 A	11/1928	Spahn
1,781,719 A	11/1930	Henry
1,873,274 A	8/1932	Boosey

1,925,008 A	8/1933	Schact
1,980,493 A	11/1934	Morisseau
2,044,253 A	6/1936	Morris
2,084,437 A	6/1937	Frankenberger
2,580,575 A	5/1949	Muckler
3,263,244 A	8/1966	Katz
3,416,982 A	12/1968	Petzetakis
3,724,507 A	4/1973	Kleykamp et al.

(Continued)

FOREIGN PATENT DOCUMENTS

FR 1191141 10/1959

(Continued)

OTHER PUBLICATIONS

“Ultralite®—Type NM (Liquidtight Flexible Nonmetallic Conduit)”, Southwire Company brochure/pamphlet, as early as 2003, printed on Dec. 14, 2008, pp. 1-3.

(Continued)

Primary Examiner — Eric Goodman

(74) *Attorney, Agent, or Firm* — Sheridan Ross P.C.

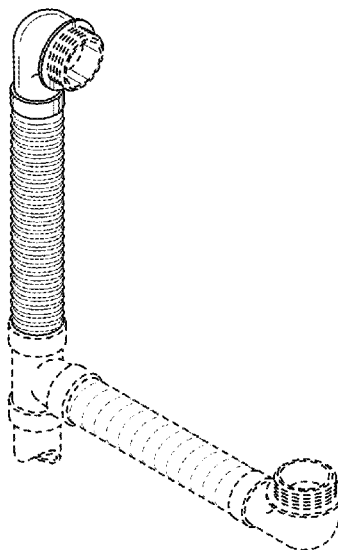
(57) **CLAIM**

The ornamental design for a flexible bathtub waste pipe assembly, as shown and described.

DESCRIPTION

FIG. 1 is a perspective view of the flexible bathtub waste pipe assembly showing the new design; FIG. 2 is a front elevation view thereof, the rear elevation view being a mirror image of the front elevation view; and, FIG. 3 is another front elevation view thereof wherein a flexible vertical pipe is shown in a second position of use. The broken lines in the figures show environment and is for illustrative purposes only and forms no part of the claimed design.

1 Claim, 1 Drawing Sheet



U.S. PATENT DOCUMENTS

3,860,977 A 1/1975 Poltz
 3,937,497 A 2/1976 Studer
 D248,133 S 6/1978 Shames et al.
 4,146,939 A 4/1979 Izzi
 4,194,251 A 3/1980 Pennerstorfer
 4,233,697 A 11/1980 Cornwall
 4,240,166 A 12/1980 Altman et al.
 4,294,370 A 10/1981 Toeppen
 4,307,901 A 12/1981 Orberg et al.
 4,352,213 A 10/1982 Watts
 4,470,437 A 9/1984 Rabinovich
 4,594,738 A 6/1986 Gebert
 4,599,784 A 7/1986 Canu, Jr. et al.
 4,683,597 A 8/1987 Taylor et al.
 4,722,556 A 2/1988 Todd
 4,796,926 A 1/1989 Rapsilver
 4,825,477 A 5/1989 Aranda
 4,920,582 A 5/1990 Alker
 4,936,350 A 6/1990 Huber
 5,115,554 A 5/1992 Fell, Sr.
 5,163,480 A 11/1992 Huber
 D341,410 S 11/1993 Molinaro
 5,324,001 A 6/1994 Duke
 5,350,266 A 9/1994 Espey et al.
 5,377,361 A 1/1995 Piskula
 5,507,501 A 4/1996 Palmer
 D373,623 S 9/1996 Mathison
 D381,405 S 7/1997 Waidele et al.
 5,692,248 A 12/1997 Ball
 5,745,931 A 5/1998 Ball
 5,890,241 A 4/1999 Ball
 5,944,985 A 8/1999 Bowman
 5,957,514 A 9/1999 Brookshire
 5,971,438 A 10/1999 Johnson
 5,997,049 A 12/1999 Kingsford et al.
 6,058,525 A 5/2000 Paden
 6,058,526 A 5/2000 Parisi et al.
 6,062,254 A 5/2000 Brady et al.
 6,076,545 A 6/2000 Cooper
 6,085,363 A 7/2000 Huber
 6,088,843 A 7/2000 Francisco
 6,145,136 A 11/2000 Parisi et al.
 6,173,459 B1 1/2001 Ball
 6,192,531 B1 2/2001 Fritz et al.
 6,263,518 B1 7/2001 Magtanong
 6,295,664 B2 10/2001 Fritz et al.
 6,317,906 B1 11/2001 Ball
 6,338,168 B1 1/2002 Valentine
 6,418,570 B1 7/2002 Ball
 6,484,331 B2 11/2002 Minnick
 6,530,722 B1 3/2003 Shaw et al.
 6,546,573 B1 4/2003 Ball
 6,592,669 B2 7/2003 Damrau
 6,618,875 B1 9/2003 Oropallo et al.
 6,637,050 B1 10/2003 Ball

6,640,358 B2 11/2003 Ball
 6,675,406 B2 1/2004 Ball
 6,681,420 B1 1/2004 Ball
 6,691,411 B2 2/2004 Ball
 6,901,611 B2 6/2005 McEntire et al.
 7,210,493 B1 5/2007 Wang
 7,343,923 B2 3/2008 Foster
 7,451,502 B2 11/2008 Ball
 D627,862 S 11/2010 Ball
 D636,468 S 4/2011 Ball
 7,963,568 B2* 6/2011 Jensen 285/191
 2002/0032926 A1 3/2002 Lewis
 2004/0012197 A1 1/2004 Guillaud et al.
 2004/0034926 A1 2/2004 Ball
 2004/0055083 A1 3/2004 Ball
 2004/0055084 A1 3/2004 Ball
 2004/0068792 A1 4/2004 Ball
 2004/0068793 A1 4/2004 Ball
 2004/0103474 A1 6/2004 Ball
 2004/0117907 A1 6/2004 Ball
 2006/0085907 A1 4/2006 Ball
 2006/0096018 A1 5/2006 Ball
 2006/0096019 A1 5/2006 Ball
 2008/0196161 A1 8/2008 Ball
 2009/0173396 A1 7/2009 Spadavecchia
 2009/0250120 A1 10/2009 Robbins
 2009/0260154 A1 10/2009 Shoop et al.
 2010/0163131 A1 7/2010 Fehr et al.
 2011/0154566 A1* 6/2011 Shafik 4/680
 2012/0005824 A1* 1/2012 Ball 4/680

FOREIGN PATENT DOCUMENTS

FR 2643097 8/1990
 GB 1216208 12/1970

OTHER PUBLICATIONS

Official Action for Mexico Patent Application No. PA/a/2005/011301, dated Mar. 18, 2010 3 pages.
 Official Action for Mexico Patent Application No. PA/a/2005/011301, dated Oct. 10, 2010.
 Official Action for U.S. Appl. No. 10/971,895, mailed Apr. 25, 2007.
 Official Action for U.S. Appl. No. 10/971,895, mailed Oct. 12, 2007.
 Official Action for U.S. Appl. No. 29/360,523, mailed Oct. 5, 2010.
 Notice of Allowability for U.S. Appl. No. 29/360,524, mailed Oct. 7, 2010.
 Notice of Allowability for U.S. Appl. No. 29/360,523, mailed Jan. 11, 2011.
 Official Action for U.S. Appl. No. 29/360,523, mailed Dec. 23, 2010.
 Corrected Notice of Allowance for U.S. Appl. No. 29/360,523, mailed Mar. 16, 2011 3 pages.
 Official Action for U.S. Appl. No. 12/100,762, mailed Sep. 15, 2011 9 pages.

* cited by examiner

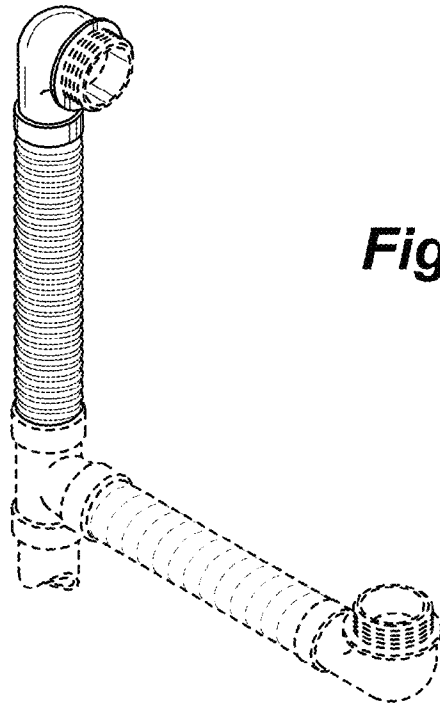


Fig. 1

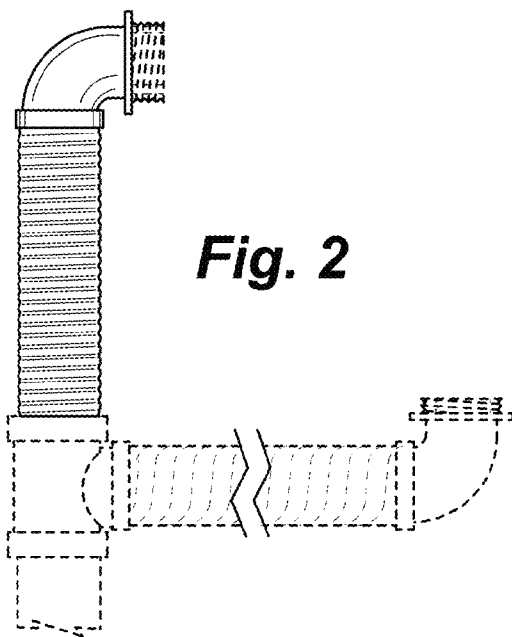


Fig. 2

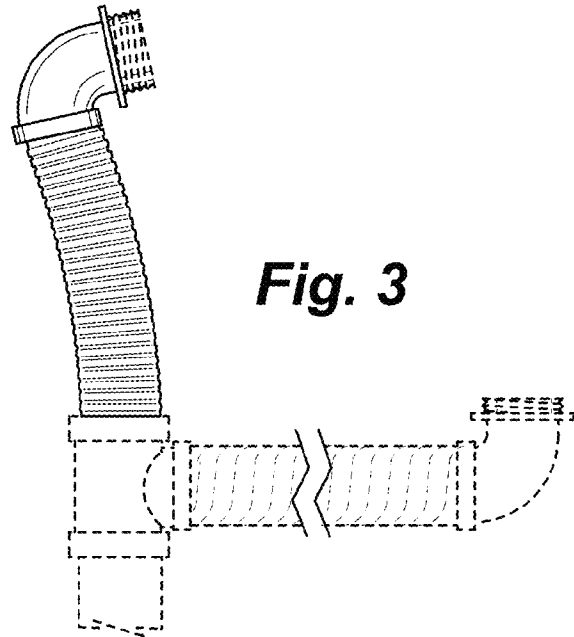


Fig. 3