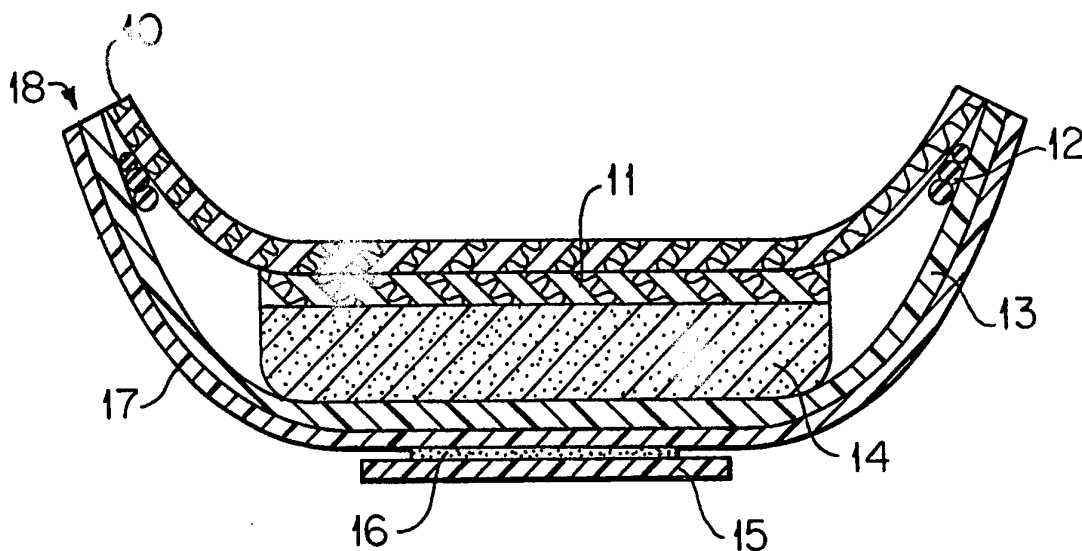




## INTERNATIONAL APPLICATION PUBLISHED UNDER THE PATENT COOPERATION TREATY (PCT)

<p>(51) International Patent Classification<sup>6</sup> : A61F 5/44, 13/15</p>	A1	<p>(11) International Publication Number: <b>WO 95/13035</b></p> <p>(43) International Publication Date: 18 May 1995 (18.05.95)</p>
<p>(21) International Application Number: PCT/US94/12925</p> <p>(22) International Filing Date: 10 November 1994 (10.11.94)</p> <p>(30) Priority Data: 08/151,385 12 November 1993 (12.11.93) US</p> <p>(71) Applicant: ICD INDUSTRIES [US/US]; 175 Strafford Avenue, Wayne, PA 19406 (US).</p> <p>(71)(72) Applicants and Inventors: JOHNSTON, Lee, W. [US/US]; 100 Lake Drive, Downingtown, PA 19335 (US). BOVE, Louis, P. [US/US]; Apartment #6, 806 W. Main Street, Trappe, PA 19426 (US).</p> <p>(72) Inventors: SMITH, Timothy, A.; 735 Village Lane, Saratoga, PA 19464 (US). GEPHART, Carol, A.; 178 Cooks Glen Road, Spring City, PA 19475 (US). DOUCETTE, Mary, E.; 1001 Pembroke Avenue, East Landsdowne, PA 19050 (US).</p> <p>(74) Agents: CHAPMAN, Ernest, F. et al.; Finnegan, Henderson, Farabow, Garrett &amp; Dunner, 1300 I Street, N.W., Washington, DC 20005-3315 (US).</p>		<p>(81) Designated States: CA, European patent (AT, BE, CH, DE, DK, ES, FR, GB, GR, IE, IT, LU, MC, NL, PT, SE).</p> <p><b>Published</b> <i>With international search report.</i></p>

(54) Title: AN ABSORBENT ARTICLE WITH SUBSTANTIAL VOLUME CAPACITY AND RETAINABLE SHAPE



## (57) Abstract

An absorbent article having a substantial volume capacity and retainable shape is disclosed which comprises a cover sheet, an absorbent core, and a multi-layered moisture barrier laminate comprising a polymeric foam layer and at least one thermally bonded layer. Also, elastic members are attached to longitudinal sides of the article to form a cupshaped article which has a cupping strength of about 10 grams to about 90 grams.

**FOR THE PURPOSES OF INFORMATION ONLY**

Codes used to identify States party to the PCT on the front pages of pamphlets publishing international applications under the PCT.

AT	Austria	GB	United Kingdom	MR	Mauritania
AU	Australia	GE	Georgia	MW	Malawi
BB	Barbados	GN	Guinea	NE	Niger
BE	Belgium	GR	Greece	NL	Netherlands
BF	Burkina Faso	HU	Hungary	NO	Norway
BG	Bulgaria	IE	Ireland	NZ	New Zealand
BJ	Benin	IT	Italy	PL	Poland
BR	Brazil	JP	Japan	PT	Portugal
BY	Belarus	KE	Kenya	RO	Romania
CA	Canada	KG	Kyrgystan	RU	Russian Federation
CF	Central African Republic	KP	Democratic People's Republic of Korea	SD	Sudan
CG	Congo	KR	Republic of Korea	SE	Sweden
CH	Switzerland	KZ	Kazakhstan	SI	Slovenia
CI	Côte d'Ivoire	LI	Liechtenstein	SK	Slovakia
CM	Cameroon	LK	Sri Lanka	SN	Senegal
CN	China	LU	Luxembourg	TD	Chad
CS	Czechoslovakia	LV	Latvia	TG	Togo
CZ	Czech Republic	MC	Monaco	TJ	Tajikistan
DE	Germany	MD	Republic of Moldova	TT	Trinidad and Tobago
DK	Denmark	MG	Madagascar	UA	Ukraine
ES	Spain	ML	Mali	US	United States of America
FI	Finland	MN	Mongolia	UZ	Uzbekistan
FR	France			VN	Viet Nam
GA	Gabon				

AN ABSORBENT ARTICLE WITH SUBSTANTIAL  
VOLUME CAPACITY AND RETAINABLE SHAPE

BACKGROUND OF THE INVENTION

The present invention relates to an absorbent article, and more particularly, an incontinence article, which holds a substantial volume of fluid and has a retainable shape.

Adult diapers are now commercially available with capacities to hold as much as 1,200 ml of fluid. Important advances have also been made in the fit, comfort, closure, quietness, and rewet (surface dryness) of diapers. In spite of these advances, diapers designed for adult incontinence still present problems to users, particularly those who are ambulatory. For example, the fluffy absorbent component, e.g., cellulose pulp fibers, tends to shift and form uneven distributions and clumps. Due to the size and bulkiness of these diapers, wearers tend to be hot, uncomfortable, and concerned about the diaper showing through their garments.

In addition, when away from home, the disposal of diapers presents a problem. Similarly, transporting and storing extra diapers may be an inconvenience.

It is therefore not surprising that there is interest in developing smaller, thinner, more compact articles, e.g., those that can be adhesively attached to undergarments as with sanitary napkins.

Hydrogel forming polymers are of interest in this development, in part, possibly due to the polymers' capacity to absorb 25-35 times their weight in fluid (at least twice the rate of pulp fiber). These polymers, combined in granular form with cellulose pulp structures, are of interest in providing essential technology to achieve sufficient volume capacity in the down-scaling of the size and weight of absorbent articles. Such hydrogel forming polymers are described in detail in Brandt et al, U.S. Reissued Patent No.

32,649. They are often referred to as superabsorbent polymers (SAP).

There are several well known processes for incorporating these hydrogel forming particles into an absorbent material:

- 1) Direct dry mixing with airborne cellulose pulp in, e.g. fluff forming chambers.
- 2) Direct application to the surface of various nonwoven fibrous materials or paper.
- 3) Bonding of SAP granules between two layers of nonwoven material or paper.
- 4) In-line application of SAP concomitantly with a latex used to bind nonwoven fibers as for example in Makoui, U.S. Patent No. 5,128,082.

A second challenge in the design of a relatively small, thin, and compact adult incontinence article is the need to rapidly capture and absorb fluid. Pads having absorbent cores which are a combination of a fluid pervious material, cellulose pulp fluff, SAP, and a binder covered with a thin lightweight cover sheet, such as a thermally bonded web of polypropylene staple fibers and backed with an impervious film at 1-3 mil. thickness having an overall length of about 9-10 inches and an overall width of 4-5 inches do not always provide adequate protection, e.g. when the entire bladder is voided since an appreciable quantity of fluid may tend to run off the sides. Such absorbent articles do not provide sufficient drainage, especially in the Z-direction of the device to quickly capture fluids.

In the control of fluids using relatively small, thin, compact articles, a third element of performance is related to the distribution of fluid among the various layers of material which form the overall product. This property contributes importantly to the user's feeling of comfort, dryness, and overall security. More specifically, it is highly desirable that a pad be designed to contain and hold

fluids well within the absorbent core even when subjected to the weight of the user.

#### SUMMARY OF THE INVENTION

It is therefore an object of the present invention to provide a relatively small, thin, and compact absorbent article for the absorption and control of a body fluid such as urine associated with ambulatory incontinence with particular emphasis on the product retaining its shape, thus allowing the fluid to flow and be maintained within the product and away from the body of the wearer. Also, when the pad keeps its original shape, the user feels more confident by being aware of the edges of the product and the volume capacity thereof.

Additional objects and advantages of the present invention will be set forth in part in the description which follows, and in part will be apparent from the description, or may be learned by practice of the present invention. The objects and advantages of the present invention will be realized and attained by means of the elements and combinations particularly pointed out in the appended claims.

To achieve the objects and in accordance with the purposes of the present invention, as embodied and broadly described herein, the present invention relates to an absorbent cup-shaped article comprising a fluid pervious cover sheet which is preferably a nonwoven material. Adjacent the cover sheet is an absorbent core having a garment-facing surface and a body-facing surface which is preferably a contoured pulp fluff pad permeated with a superabsorbent polymer. Adjacent the garment-facing surface of the absorbent core is a multi-layered moisture barrier laminate comprised of a polymeric foam layer and at least one thermally bonded layer, preferably of a nonwoven material which is preferably carded. The laminate is positioned so that the foam layer faces the garment-facing surface of the absorbent core. The laminate has a flexural resistance of

from about 16 grams to about 106 grams. The article also has elastic means attached to longitudinal sides thereof to form the cup-shaped article which has a cupping strength of from about 30 grams to about 90 grams. Optionally, a tissue layer can be placed between the cover sheet and on the body-facing surface of the absorbent core.

It is to be understood that both the foregoing general description and the following detailed description are exemplary and explanatory only and are not restrictive of the present invention, as claimed.

#### BRIEF DESCRIPTION OF THE DRAWINGS

Figure 1 is a view of equipment for measuring the cupping strength of an absorbent article, wherein (A) is a modified release and adhesion tester, (B) is a speed control, (C) is a Chatallion gauge, (D) is a grasping plate, (E) is a line with hooks, (F) is a plate perpendicular to the adhesion platform (H), (G) is the absorbent article to be tested, and (H) is an adhesion platform.

Figure 2 is a top view of the absorbent article of the present invention to be tested for cupping strength wherein (G) is the absorbent article to be tested with portions cut away, (I) are the cut away portions of the absorbent article, (J) are elastic members, and (K) is the location where the absorbent article is cut.

Figure 3 is an enlarged view of the equipment for measuring the cupping strength of the absorbent article, wherein (H) is the adhesion platform, (G) is the cut absorbent article to be tested, (L) are the hooks, (M) is the adhesive means to keep the cut absorbent article in place during testing, (E) are the lines with the hooks (L), and (D) is the grasping plate.

Figure 4 is a section view of a preferred embodiment of the absorbent article.

DETAILED DESCRIPTION OF THE PRESENT INVENTION

As used herein, the term "absorbent article" refers to an article which absorbs and contains body exudates, and, more specifically, refers to an article which is placed against or in proximity to the body of the wearer to absorb and contain the various exudates discharged from the body. Further, the term "disposable" is used herein to describe an absorbent article which is not intended to be laundered or otherwise restored or reused as an absorbent article. In other words, the disposable article is intended to be discarded after a single use, and, preferably, composted or otherwise disposed of for recycling in an environmentally compatible manner.

The absorbent core of the present invention may be of any absorbent material which is capable of absorbing or retaining a liquid such as urine, feces, and menses. The absorbent core has a garment-facing surface and a body-facing surface. Preferably, the absorbent core is a contoured pulp fluff pad which is permeated with a superabsorbent polymer. More preferably, this contoured pulp fluff pad is embossed (e.g. diamond-shaped) and the SAP, in granular form, is uniformly permeated throughout the contoured pulp fluff pad. The amount of SAP preferably permeated into the fluff is from about 3 to about 8 grams, most preferably from about 5 to about 6 grams. Also, the SAP granule size preferably is such that about 15% to about 25% by weight is retained on 30 mesh, most preferably about 19% by weight, and from about 50% to about 60% by weight is retained on 50 mesh, most preferably about 55%. With respect to the contoured pulp fluff pad, as an example, in a dumbbell shaped absorbent article having a length of about 250 mm to about 300 mm, from about 10 grams to about 20 grams pulp fluff can be used, preferably from about 13.5 grams to about 15.5 thereof.

The absorbent core may be manufactured in a wide variety of sizes and shapes, for example, rectangular, oval, hour glass, dog bone, asymmetric, and dumbbell. Further, a wide

variety of liquid-absorbent materials may be used as part of the absorbent core such as comminuted wood pulp which is generally referred to as air felt, creped cellulose wadding, melt blown polymers including co-form, cross-linked chemically modified cellulosic fibers, synthetic fibers, tissue including tissue wraps and tissue laminates, absorbent foams, absorbent sponges, absorbent jelling materials, or any equivalent material, combination of materials, or mixtures of these.

The configuration and construction of the absorbent core may also be varied. For instance, the absorbent core may have varying caliber zones, hydrophilic gradients, super absorbent gradients, or low density and lower average basic weight acquisition zones. Also, the absorbent core may comprise one or more layers or structures. The total absorbent capacity of the absorbent core should be compatible with the design loading and the intended use of the absorbent device. Furthermore, the size and absorbent capacity of the absorbent core may be varied to accommodate different uses such as incontinence pads, panty liners, regular sanitary napkins, or overnight sanitary napkins.

Optionally, the absorbent core can also contain an odor neutralizer. Preferably, the odor neutralizer is in the form of a fluid that is applied in spray form to the absorbent core during manufacturing. Preferably, from about 0.10 gram to about 0.5 gram of fluid is applied to the absorbent core. Commercially available odor neutralizer fluids which can be used in the present invention include masking fragrances, zeolites, baking soda, and charcoal. A preferred odor neutralizer can be obtained from International Aromatics of North Bergen, New Jersey.

On one surface of the absorbent core (i.e., on the body-facing surface of the absorbent core), a tissue layer can be placed which aids in the transfer of fluid away from the body. Preferably, this tissue layer is a nonwoven material which has a basis weight of from about 15 to 25 gm/m<sup>2</sup>, most



preferably about 20 gm/m<sup>2</sup>. Also, preferably the tissue layer extends the entire length of the absorbent core and is preferably narrower in width than the width of the absorbent core. The tissue layer can be embossed into the absorbent core and/or adhered to the absorbent core by adhesive means.

The moisture barrier laminate is positioned adjacent the garment-facing surface of the absorbent core and the cover sheet is positioned adjacent the body-facing surface of the absorbent core. The moisture barrier sheet and cover sheet are preferably joined together by means well known in the art. For example, the moisture barrier sheet and cover sheet may be secured to each other on the peripheral edges by a uniformed continuous layer of adhesive, a pattern layer adhesive, or an array of separate lines, spirals, or spots of adhesive. Adhesives which have been found to be satisfactory are hot-melt pressure adhesives manufactured by H.B. Fuller Company, Findley Adhesives, Inc., and National Starch and Chemical Company. Alternatively, the attachment means may comprise heat bonds, pressure bonds, ultrasonic bonds, dynamic mechanical bonds, or any other suitable attachment means or combinations of these attachment means as are known in the art.

Furthermore, the cover sheet may also be affixed to the absorbent core by the above means.

The moisture barrier laminate is impervious to liquids such as urine and menses and is a multi-layered, preferably a two-layered laminate comprised of a polymeric foam layer/structure and at least one, preferably one, thermally bonded layer, e.g., a carded nonwoven material. The laminate is positioned with the polymeric foam layer adjacent the garment-facing surface of the absorbent core. Preferably, the polymeric foam layer has a thickness of from about 0.002 to about 0.005 inch and a tensile strength of from about 65 lbs/in<sup>2</sup>(MD) to about 80 lbs/in<sup>2</sup>(MD), most preferably about 73 lbs/in<sup>2</sup>(MD), and from about 30 lbs/in<sup>2</sup>(TD) to about 40 lbs/in<sup>2</sup>(TD), most preferably about 36 lbs/in<sup>2</sup>(TD).

Furthermore, the polymeric foam layer of the present invention preferably has an elongation of from about 35% (MD) to about 45% (MD), most preferably, about 39% (MD), and from about 30% (TD) to about 40% (TD), most preferably about 34% (TD). In addition, the foam layer preferably has a compression strength at 10% of from about 0.2 lb/in<sup>2</sup> to about 0.6 lb/in<sup>2</sup>, most preferably about 0.4 lbs/in<sup>2</sup>; at 25% of from about 2.0 lbs/in<sup>2</sup> to about 2.5 lbs/in<sup>2</sup>, most preferably about 2.3 lbs/in<sup>2</sup>; and at 50% of from about 8.0 lbs/in<sup>2</sup> to about 9.5 lbs/in<sup>2</sup>, most preferably about 8.9 lbs/in<sup>2</sup>. All of these physical parameters are measured through the testing standard ASTM D3575-84. The laminate of the present invention has a flexural resistance of between about 16 grams and about 106 grams, preferably about 45 to about 75 grams. The flexural resistance is obtained with the use of a Chatillion Model Number DPP 5 instrument by testing a 37.5 mm/side square sample of the laminate. Most preferably, the polymeric foam layer/structure is polyethylene.

This laminate gives the cup-shaped absorbent article of the present invention unique characteristics as compared to existing thermoformed polyethylene shell products. The advantage of this novel approach is to be able to realize the same advantages of the "boat" or "cup" designs which are formed by the thermoforming of foams, while avoiding the costly and slow process of thermoforming. The advantage of achieving this "cup" shape design is: 1) it provides the user with a feeling of security as the article retains its shape while in use; and, 2) it provides the article with a distinct geometry which acts as a container. The flexural characteristics of the foam are a key characteristic in obtaining the ideal performance of the product. Several varieties of cross-linked polyethylene foam had been analyzed and tested with poor results. It was not until the laminate with the properties described above was prepared and tested that the absorbent article achieved its performance advantages.

The use of elastic leg gathers, much practiced in the diaper product category, in conjunction with the laminate of the present invention, lends the absorbent article its unique "cup" like shape. Previous attempts involving "curving" the pad by a certain amount of degrees with elastomeric elements along the side of the pads have been unsatisfactory, in part, due to the angles of curvature which are low and provide little if any support for the retention of the cup shape while in use. The synergy of the retractive forces of the elastic with the flexural rigidity of the laminate of the present invention provides the absorbent article with a "cupping strength" in the range of about 30 to about 90 grams, preferably about 45 to about 65 grams. This "cupping strength" is the force required to open the absorbent article from its original folded position to a plane normal to the horizontal plane. The instrument used to measure this "cupping strength" is a modified shear adhesion tester with a Chatillion gauge. These results provide the absorbent article with the optimum performance while in use.

The test is conducted as follows:

Referring to Figures 1-3, a plate (F) is placed on the right side edge of and perpendicular to horizontal adhesion platform (H). An absorbent article (G) to be tested has its end portions (I) cut away (as shown in Figure 2) at cut points (K) where the elastic members (J), e.g. leg gathers, begin.

Referring particularly now to Figure 3, two lines (E) with hooks (L) attached at one end of each line are secured to the grasping plate (D). A Chatillion gauge (C), is located adjacent the right side of the plate (D), see Figure 1. The cut absorbent article (G) is then placed on the platform (H) such that the two ends of the cut absorbent article (G) face away from the plate (F) and the center crotch area of the article (G) is against the plate (F). One hook (L) is attached to each top side edge of the article (G), while the surface facing the platform (H) is adhered to

the platform (e.g., using the pressure sensitive adhesive means (M)). Then the hooks (L) pull the top portion of the article (G) toward the plate (F) and the amount of force (i.e., cupping strength) required to bring this top portion of the article (G) to a point which touches the plate (F) is measured.

A particularly preferred foam layer/structure is polyethylene, manufactured by Cell Aire (New Jersey) and is designated CA-30.

The size of the moisture barrier laminate as well as the cover sheet is dictated by the size of the absorbent core and the exact absorbent article shape desired. Generally, the cover sheet and moisture barrier laminate extend an optimum distance beyond the edges of the absorbent core to form extended tabs which can be sealed together using the sealing means described above.

The cover sheet is compliant, soft feeling, and not irritating to the wearer's skin. The cover sheet is fluid pervious and thus allows liquids such as menses and/or urine to readily penetrate through its thickness. For purposes of the present invention, the cover sheet may be any type of cover sheet known to those skilled in the art such as an apertured plastic film, cover sheets manufactured from porous foams, particulated foams, or woven or nonwoven webs of natural fibers (e.g., wood or cotton fibers), synthetic fibers (e.g., polyester or polypropylene fibers), or combinations of natural and synthetic fibers. In the present invention, it is preferred that the cover sheet be hydrophilic. More preferably, the cover sheet is a nonwoven fluid pervious material and is embossed, preferably diamond-shaped embossed.

Though not necessary, the body-facing surface of the cover sheet can be made hydrophilic by treating it with a surfactant by techniques known to those skilled in the art such as spraying, padding, or use of transfer rolls.

Elastic members are attached to longitudinal sides of the crotch area of the article (i.e., central portion of the absorbent article) to form leg gathers. The elastic members preferably have the following physical properties: a tension of from about 120 to about 200 lbs, a denier strength of from about 740 to about 940 denier, and an elongation of from about 250% to about 300%. The elastic members can be applied on the extended tabs of the cover sheet and barrier laminate or through the cover sheet, barrier laminate, and absorbent core. Preferably, three strands of elastic (e.g., Lycra®) are applied to each extended tab side of the crotch area with, e.g., a spray hot melt adhesive to form these leg gathers. The strands of elastic are applied in the contracted state thus allowing the absorbent article and in particular, the absorbent core and barrier laminate, to form into a shape which will permit it to hold a substantial volume of liquid and also permit the article to have the cupping strength described above.

Optionally, one wide line of pressure sensitive hot melt adhesive is applied to the garment-facing side of the moisture barrier laminate. This adhesive is preferably covered with a silicone coated release paper strip which can subsequently be used to adhere the absorbent article to a garment of the user.

The present invention will be further clarified by the following example, which is intended to be purely exemplary of the present invention.

#### Example

A beltless urinary absorbent article as illustrated in Figure 4, was made in the following manner. An absorbent core pad (14) of a cellulose pulp fluff was uniformly permeated with superabsorbent granules of a hydrogel-forming polymer (Stockhausen Grade 800, 5.0 gm/pad). The weight of the cellulose fluff pulp was about 13.0 gm. This pad (14) of cellulose pulp fluff was then adhered by a hot melt adhesive

to a blue tissue layer (11) which was embossed (diamond-shaped) into the pulp fluff of the pad (14). A moisture barrier laminate (13, 17) was prepared by laminating a polyethylene foam layer (13) obtained from Cell-Aire, CA-30, with a carded thermally bonded nonwoven material layer (17). The thickness of this laminate was 0.003 to 0.005 inch. Then, the garment-facing surface of pad (14) was adhered to the moisture barrier laminate using the same hot melt adhesive as above.

The nonwoven material layer (17) laminated to the polyethylene foam layer (13) gives the perception that the overall absorbent article is cloth-like which is pleasing to the user.

Then, a nonwoven material cover sheet (10) which was embossed (diamond-shaped) was adhered to the top of the tissue layer by the same hot melt adhesive used above. The cover sheet (10) and barrier laminate (13, 17) extend beyond the absorbent core and tissue layer to form an extended tab (18) around the edges thereof. On each side of the crotch area of the article, in the area between the portion of the extended tab (18) to be sealed and the absorbent core, three strands of Lycra® elastic (12) were adhered to the moisture barrier laminate with the same hot melt adhesive used above to form leg gathers having the flexural resistance of the present invention. The extended tab (18) is then sealed with the hot melt adhesive. Lastly, one wide line of hot melt adhesive (16) was applied to the garment-facing surface of the moisture barrier laminate and covered with a silicone coated release paper strip (15).

Other embodiments of the present invention will be apparent to those skilled in the art from consideration of the specification and practice of the present invention disclosed herein. It is intended that the specification and the example be considered as exemplary only, with a true scope and spirit of the present invention being indicated by the following claims.

## WHAT IS CLAIMED IS:

1. An absorbent cup-shaped article comprising:
  - (a) a cover sheet of a fluid pervious material;
  - (b) an absorbent core of a pad permeated with a superabsorbent polymer and having a garment-facing surface;
  - (c) a multi-layered moisture barrier laminate, comprised of a polymeric foam layer and at least one thermally bonded layer, wherein said laminate is positioned with said foam layer adjacent the garment-facing surface of said absorbent core, and wherein said laminate has a flexural resistance of from about 16 grams to about 106 grams; and
  - (d) elastic members attached to longitudinal sides of said article to form said cup-shaped article which has a cupping strength of from about 30 grams to about 90 grams.
2. The absorbent article of claim 1 wherein the absorbent core has a body-facing surface, and further comprising a tissue layer located on said body-facing surface.
3. The absorbent article of claim 1 wherein said cover sheet is nonwoven.
4. The absorbent article of claim 1 wherein said cover sheet is embossed.
5. The absorbent article of claim 1 wherein said cover sheet is diamond-shaped embossed.
6. The absorbent article of claim 1 wherein said absorbent core is a contoured pulp fluff pad.
7. The absorbent article of claim 1 wherein said absorbent core is embossed.

8. The absorbent article of claim 1 wherein said superabsorbent polymer is granular.
9. The absorbent article of claim 1 wherein said absorbent core is sprayed with an odor neutralizer.
10. The absorbent article of claim 2 wherein said tissue layer extends the entire length of the absorbent core.
11. The absorbent article of claim 1 wherein said polymeric foam is a polyethylene foam.
12. The absorbent article of claim 1, wherein said thermally bonded layer is a nonwoven material.
13. The absorbent article of claim 1 wherein said polymeric foam and thermally bonded layer are adhered with a spray hot melt adhesive.
14. The absorbent article of claim 1 having the shape of a dumbbell.
15. The absorbent article of claim 1 wherein said cover sheet and said moisture barrier laminate extend beyond the absorbent core to form extended tabs thereof.
16. The absorbent article of claim 15, wherein said extended tabs are sealed together by sealing means.
17. The absorbent article of claim 1, wherein said absorbent article is an incontinence pad.
18. The absorbent article of claim 1, wherein said laminate has a flexural resistance of from about 45 to about 75 grams.



19. The absorbent article of claim 1, wherein said elastic members are elastic strands.

20. The absorbent article of claim 1, wherein said cupping strength is from about 45 to about 65 grams.

1/3

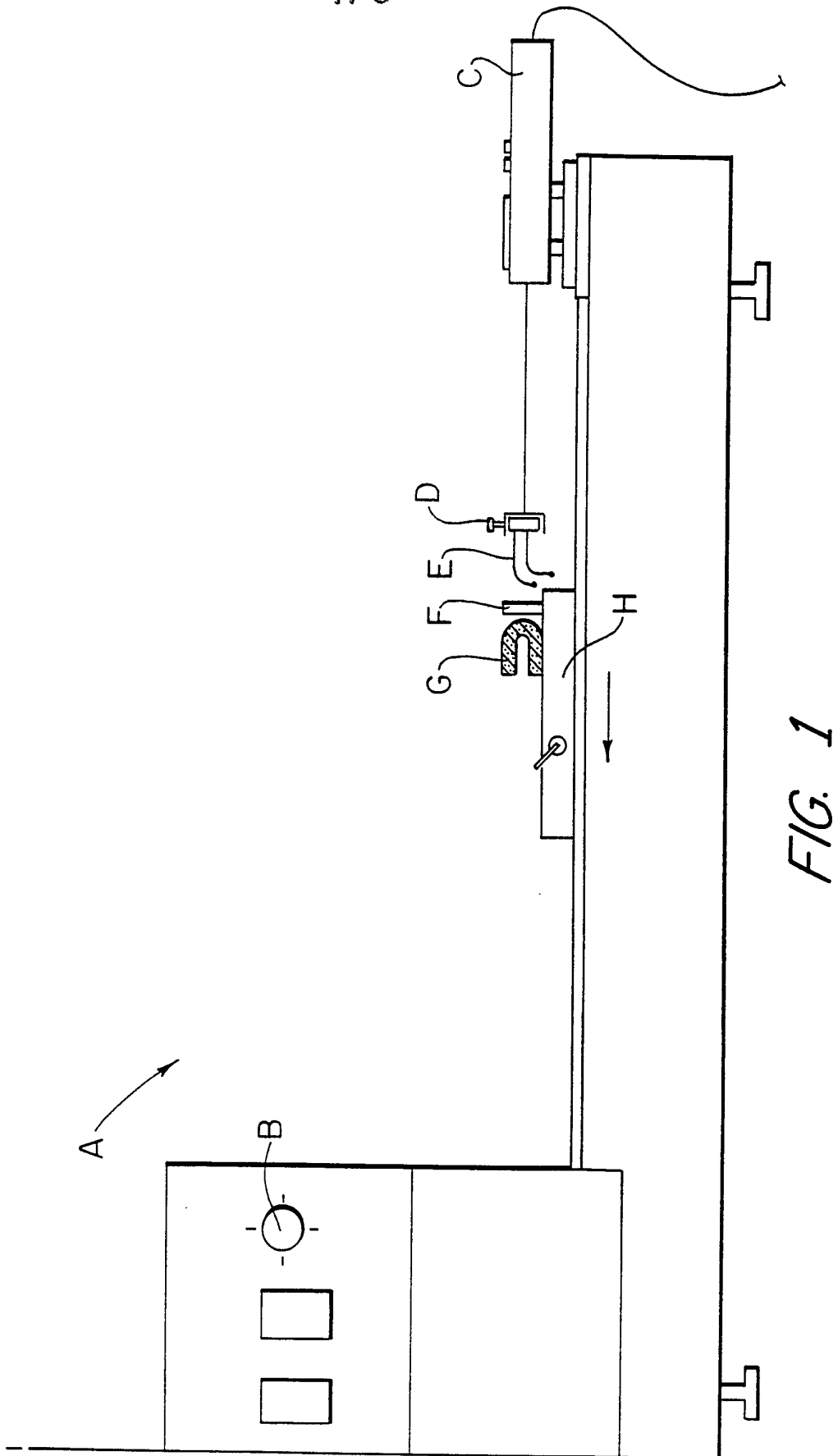


FIG. 1

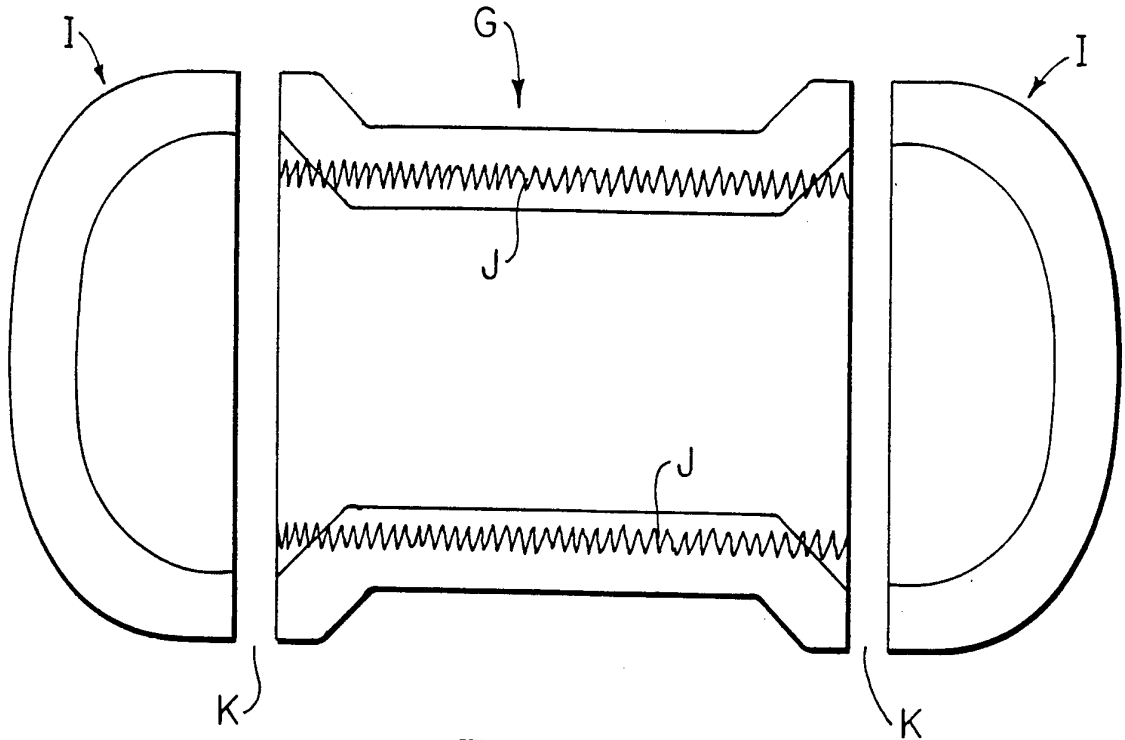


FIG. 2

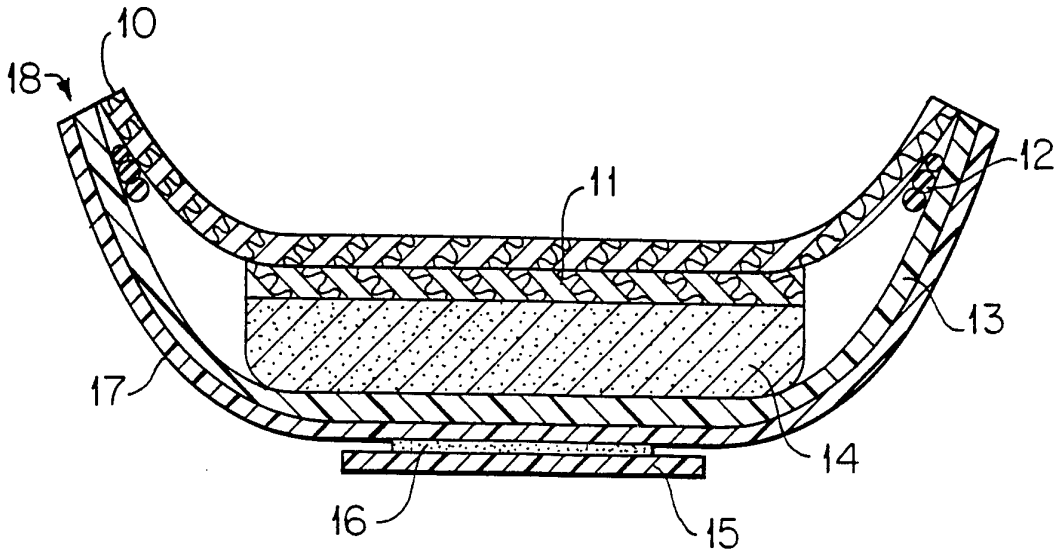


FIG. 4

3/3

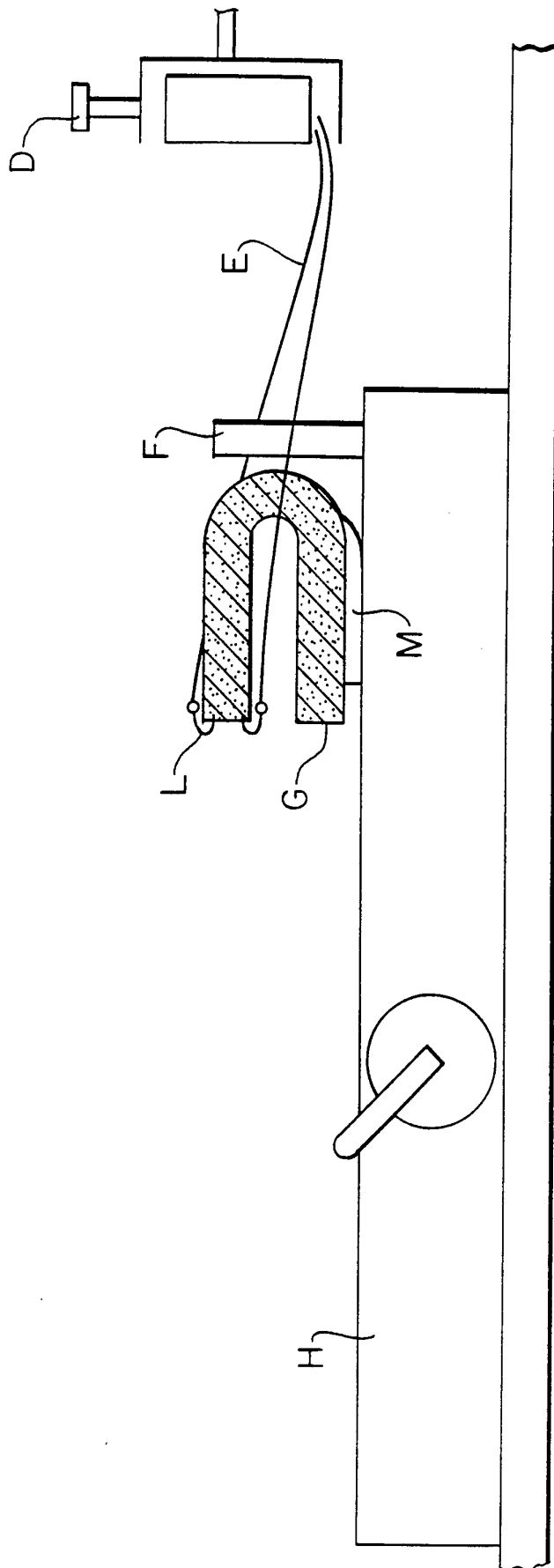


FIG. 3

# INTERNATIONAL SEARCH REPORT

Intern al Application No  
PCT/US 94/12925

<b>A. CLASSIFICATION OF SUBJECT MATTER</b> IPC 6 A61F5/44 A61F13/15				
According to International Patent Classification (IPC) or to both national classification and IPC				
<b>B. FIELDS SEARCHED</b>				
Minimum documentation searched (classification system followed by classification symbols) IPC 6 A61F				
Documentation searched other than minimum documentation to the extent that such documents are included in the fields searched				
Electronic data base consulted during the international search (name of data base and, where practical, search terms used)				
<b>C. DOCUMENTS CONSIDERED TO BE RELEVANT</b>				
Category °	Citation of document, with indication, where appropriate, of the relevant passages	Relevant to claim No.		
Y	EP,A,0 442 223 (CHICOPEE) 21 August 1991 see the whole document ---	1-20		
Y	EP,A,0 335 253 (THE PROCTER & GAMBLE CO) 4 October 1989 see the whole document ---	1-20		
P,A	EP,A,0 572 033 (KIMBERLY-CLARK CORPORATION) 1 December 1993 see page 4, line 11 - page 13, line 25; claims; figures; tables ---	1-18		
A	EP,A,0 359 501 (MCNEIL-PPC INC) 21 March 1990 see claims; figures; examples; tables --- -/--	1		
<table style="width: 100%; border: none;"> <tr> <td style="width: 50%; border: none;"> <input checked="" type="checkbox"/> Further documents are listed in the continuation of box C.                 </td> <td style="width: 50%; border: none;"> <input checked="" type="checkbox"/> Patent family members are listed in annex.                 </td> </tr> </table>			<input checked="" type="checkbox"/> Further documents are listed in the continuation of box C.	<input checked="" type="checkbox"/> Patent family members are listed in annex.
<input checked="" type="checkbox"/> Further documents are listed in the continuation of box C.	<input checked="" type="checkbox"/> Patent family members are listed in annex.			
° Special categories of cited documents :				
<table style="width: 100%; border: none;"> <tr> <td style="width: 50%; border: none;">                 "A" document defining the general state of the art which is not considered to be of particular relevance                  "E" earlier document but published on or after the international filing date                  "L" document which may throw doubts on priority claim(s) or which is cited to establish the publication date of another citation or other special reason (as specified)                  "O" document referring to an oral disclosure, use, exhibition or other means                  "P" document published prior to the international filing date but later than the priority date claimed             </td> <td style="width: 50%; border: none;">                 "T" later document published after the international filing date or priority date and not in conflict with the application but cited to understand the principle or theory underlying the invention                  "X" document of particular relevance; the claimed invention cannot be considered novel or cannot be considered to involve an inventive step when the document is taken alone                  "Y" document of particular relevance; the claimed invention cannot be considered to involve an inventive step when the document is combined with one or more other such documents, such combination being obvious to a person skilled in the art.                  "&amp;" document member of the same patent family             </td> </tr> </table>			"A" document defining the general state of the art which is not considered to be of particular relevance "E" earlier document but published on or after the international filing date "L" document which may throw doubts on priority claim(s) or which is cited to establish the publication date of another citation or other special reason (as specified) "O" document referring to an oral disclosure, use, exhibition or other means "P" document published prior to the international filing date but later than the priority date claimed	"T" later document published after the international filing date or priority date and not in conflict with the application but cited to understand the principle or theory underlying the invention "X" document of particular relevance; the claimed invention cannot be considered novel or cannot be considered to involve an inventive step when the document is taken alone "Y" document of particular relevance; the claimed invention cannot be considered to involve an inventive step when the document is combined with one or more other such documents, such combination being obvious to a person skilled in the art. "&" document member of the same patent family
"A" document defining the general state of the art which is not considered to be of particular relevance "E" earlier document but published on or after the international filing date "L" document which may throw doubts on priority claim(s) or which is cited to establish the publication date of another citation or other special reason (as specified) "O" document referring to an oral disclosure, use, exhibition or other means "P" document published prior to the international filing date but later than the priority date claimed	"T" later document published after the international filing date or priority date and not in conflict with the application but cited to understand the principle or theory underlying the invention "X" document of particular relevance; the claimed invention cannot be considered novel or cannot be considered to involve an inventive step when the document is taken alone "Y" document of particular relevance; the claimed invention cannot be considered to involve an inventive step when the document is combined with one or more other such documents, such combination being obvious to a person skilled in the art. "&" document member of the same patent family			
Date of the actual completion of the international search  1 February 1995	Date of mailing of the international search report  23.02.95			
Name and mailing address of the ISA European Patent Office, P.B. 5818 Patentlaan 2 NL - 2280 HV Rijswijk Tel. (+31-70) 340-2040, Tx. 31 651 epo nl, Fax: (+31-70) 340-3016	Authorized officer  Douskas, K			

# INTERNATIONAL SEARCH REPORT

International Application No

PCT/US 94/12925

C.(Continuation) DOCUMENTS CONSIDERED TO BE RELEVANT

Category *	Citation of document, with indication, where appropriate, of the relevant passages	Relevant to claim No.
A	EP,A,0 320 991 (KIMBERLY-CLARK CORPORATION) 21 June 1989 see column 13, line 22 - column 15, line 3; figures 5-8 -----	1

1

# INTERNATIONAL SEARCH REPORT

information on patent family members

International Application No

PCT/US 94/12925

Patent document cited in search report	Publication date	Patent family member(s)	Publication date
EP-A-442223	21-08-91	NONE	
<hr style="border-top: 1px dashed black;"/>			
EP-A-335253	04-10-89	US-A- 4994038	19-02-91
		AU-B- 630344	29-10-92
		AU-A- 3223989	05-10-89
		CA-A- 1332097	27-09-94
		JP-A- 2011139	16-01-90
		US-A- 5197959	30-03-93
<hr style="border-top: 1px dashed black;"/>			
EP-A-572033	01-12-93	AU-B- 3877393	02-12-93
		CA-A- 2079140	30-11-93
		CN-A- 1079140	08-12-93
		JP-A- 6054879	01-03-94
		PL-A- 299105	13-12-93
<hr style="border-top: 1px dashed black;"/>			
EP-A-359501	21-03-90	AT-T- 114959	15-12-94
		AU-B- 647987	31-03-94
		AU-A- 3536193	15-07-93
		AU-A- 4114189	15-03-90
		CN-B- 1023189	22-12-93
		DE-D- 68919779	19-01-95
		GR-B- 1000582	26-08-92
		JP-A- 2168949	29-06-90
		US-A- 5374260	20-12-94
<hr style="border-top: 1px dashed black;"/>			
EP-A-320991	21-06-89	AU-A- 2698688	22-06-89
		CA-A- 1326328	25-01-94
		CA-A- 1329864	31-05-94
		DE-D- 3889435	09-06-94
		DE-T- 3889435	01-09-94
		DE-U- 8817215	14-07-94
		DE-U- 8817217	11-08-94
		EP-A- 0597331	18-05-94
		ES-T- 2051825	01-07-94
		JP-A- 2004364	09-01-90
		KR-Y- 9308207	13-12-93
		KR-Y- 9308208	13-12-93
		KR-Y- 9308209	13-12-93
		US-A- 4940464	10-07-90
		US-A- 4938757	03-07-90