

[54] **FLOODLIGHT OR SIMILAR ARTICLE**

[76] **Inventor: Stanley L. Strandberg**, 11580 Hesby St., North Hollywood, Calif. 91601

[**] **Term: 14 Years**

[21] **Appl. No.: 828,466**

[22] **Filed: Feb. 11, 1986**

[52] **U.S. CL. D26/63**

[58] **Field of Search D26/61, 63, 65, 24, D26/67, 68, 71; 362/307, 362, 269, 275, 418, 431**

[56] **References Cited**

U.S. PATENT DOCUMENTS

- D. 214,582 7/1969 Routh et al. D26/63
- D. 241,671 9/1976 D'Ercoli et al. D26/63
- 4,410,931 10/1983 Decandia et al. 362/307 X

OTHER PUBLICATIONS

Hubbell Exterior Security Lighting Brochure ©1983, p. 4, "Microliter™ Floodlight. Light & Lighting, 6-1962, p. 181, Atlas Floodlight (item 5).

Primary Examiner—Susan J. Lucas
Attorney, Agent, or Firm—Nilsson, Robbins, Dalgarn, Berliner, Carson & Wurst

[57] **CLAIM**

The ornamental design for a floodlight or similar article, substantially as shown and described.

DESCRIPTION

FIG. 1 is an isometric view of a floodlight or similar article showing my new design;
FIG. 2 is a front elevational view thereof;
FIG. 3 is a left side elevational view thereof, the right side being a mirror image;
FIG. 4 is a rear elevational view thereof.
FIG. 5 is a top plan view thereof; and
FIG. 6 is a bottom plan view thereof.

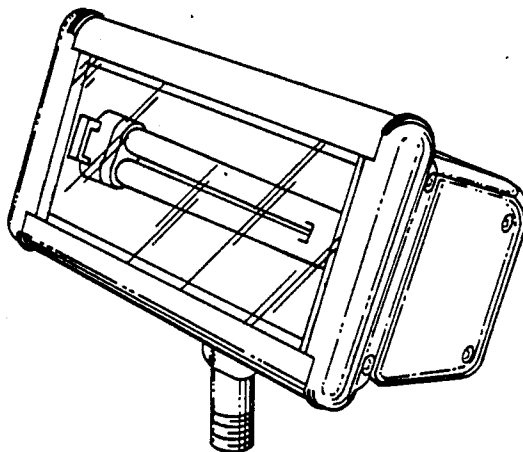


FIG. 1

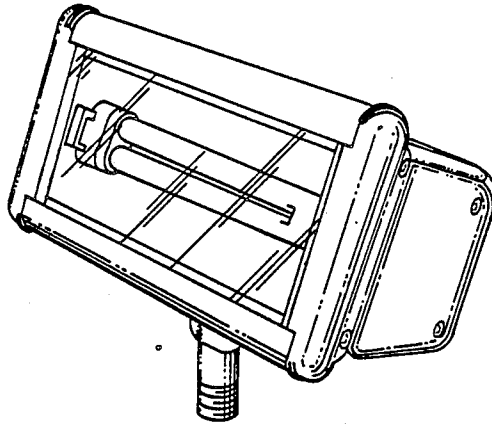


FIG. 2

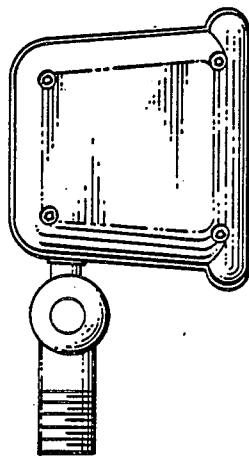
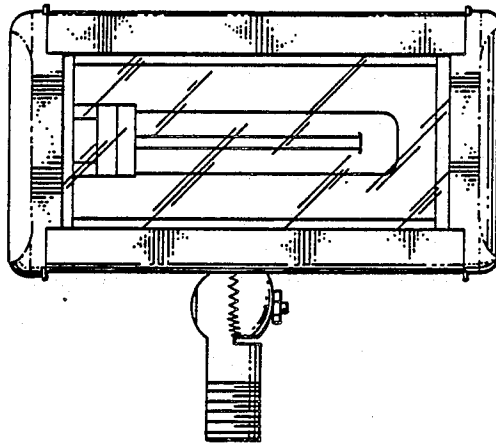


FIG. 3

FIG. 4

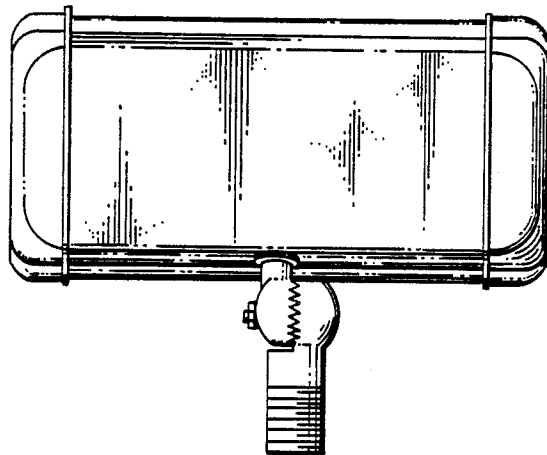


FIG. 5

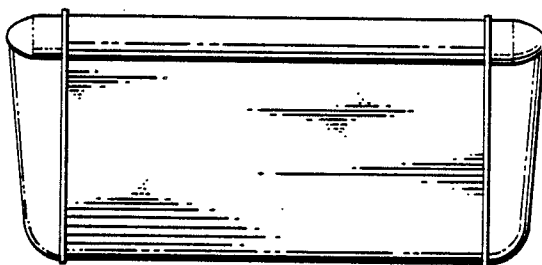


FIG. 6

