



US00D972974S

(12) **United States Design Patent**
Li

(10) **Patent No.:** **US D972,974 S**

(45) **Date of Patent:** **** Dec. 20, 2022**

(54) **DRONE**

(71) Applicant: **Guangdong Attop Technology Co., Ltd**, Shantou (CN)

(72) Inventor: **Sijin Li**, Shantou (CN)

(**) Term: **15 Years**

(21) Appl. No.: **29/804,040**

(22) Filed: **Aug. 18, 2021**

(51) **LOC (13) Cl.** **12-06**

(52) **U.S. Cl.**
USPC **D12/16.1**

(58) **Field of Classification Search**
USPC D12/1, 2, 3, 4, 16.1, 174, 319–345;
D21/301, 436, 438, 441–455
CPC ... B64C 39/00; B64C 39/024; B64C 2201/00;
B64C 2201/024; B64C 2201/042; B64C
2201/086; B64C 2201/088; B64C
2201/102; B64C 2201/104; B64C
2201/108; B64C 2201/12; B64C
2201/123; B64C 2201/127; B64C
2201/141; B64C 2201/146; B64C 29/00;
B64C 29/0025; B64C 29/0033; B64C
29/02; B64C 27/08; B64C 3/10; B64C
2203/00

See application file for complete search history.

(56) **References Cited**

U.S. PATENT DOCUMENTS

D800,016 S *	10/2017	Huang	D12/16.1
D813,724 S *	3/2018	Hu	D12/16.1
D825,379 S	8/2018	Gury et al.		
D843,267 S *	3/2019	Gao	D12/16.1
D854,448 S *	7/2019	Chen	D12/16.1
D861,573 S *	10/2019	He	D12/328

D869,375 S *	12/2019	Kim	D12/328
D873,175 S *	1/2020	Li	D12/328
D881,067 S *	4/2020	Zhou	D12/16.1
D882,460 S *	4/2020	Chen	D12/16.1
D884,554 S *	5/2020	Chen	D12/16.1
D913,153 S	3/2021	Bowers		
D918,087 S *	5/2021	He	D12/319
D918,308 S *	5/2021	Xu	D21/441
D944,118 S *	2/2022	Lin	D12/16.1

* cited by examiner

Primary Examiner — Cary M Robinson

Assistant Examiner — Adam C Mager

(74) *Attorney, Agent, or Firm* — Runit Ranjit Kanakia

(57) **CLAIM**

The ornamental design for a drone, as shown and described.

DESCRIPTION

FIG. 1 is a first perspective view of a drone showing my new design;

FIG. 2 is a second perspective view thereof;

FIG. 3 is a front view thereof;

FIG. 4 is a back view thereof;

FIG. 5 is a left side view thereof;

FIG. 6 is a right side view thereof;

FIG. 7 is a top view thereof;

FIG. 8 is a bottom view thereof;

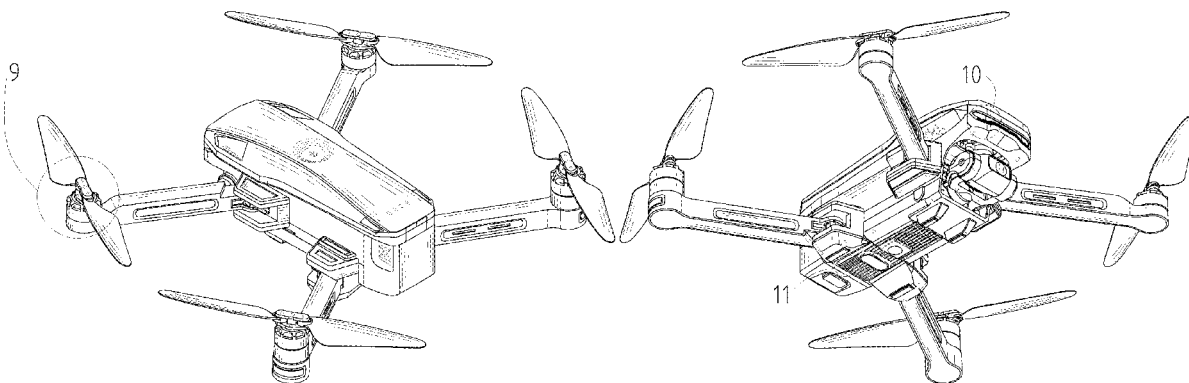
FIG. 9 is an enlarged view of the selected portion in FIG. 1;

FIG. 10 is an enlarged view of the selected portion in FIG. 2; and,

FIG. 11 is an enlarged view of the selected portion in FIG. 2.

The broken lines shown in the drawings depict portions of the drone in which the design is embodied that form no part of the claimed design.

1 Claim, 11 Drawing Sheets



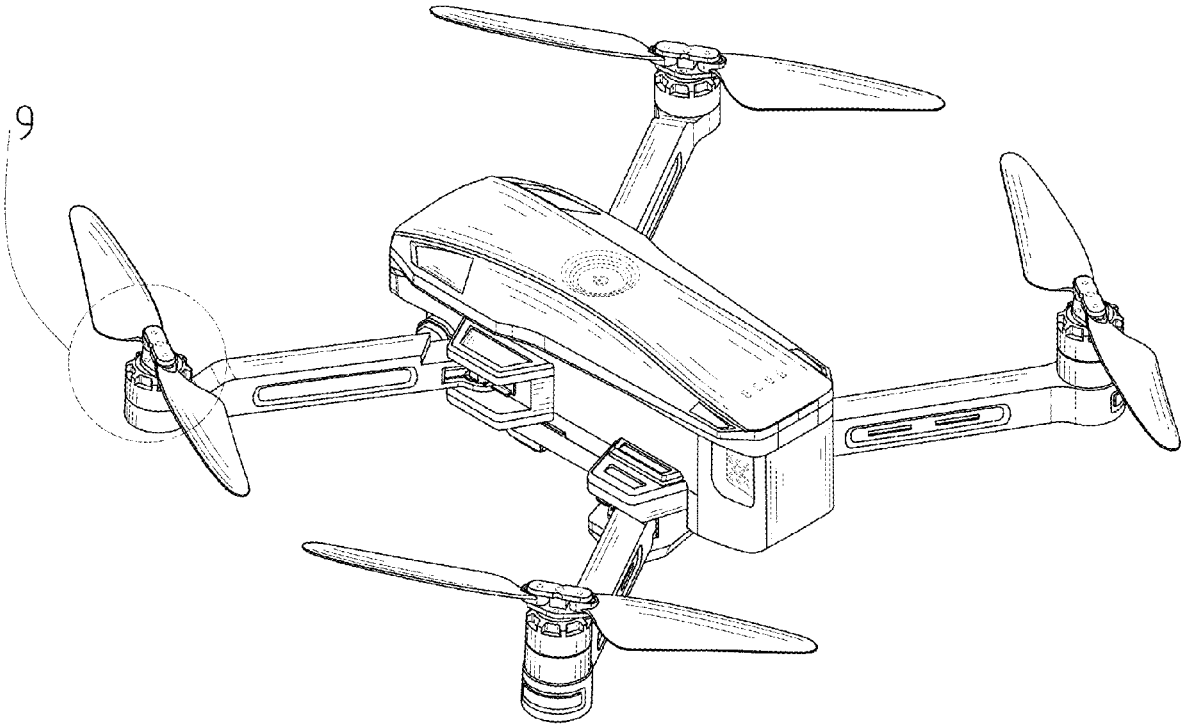


FIG. 1

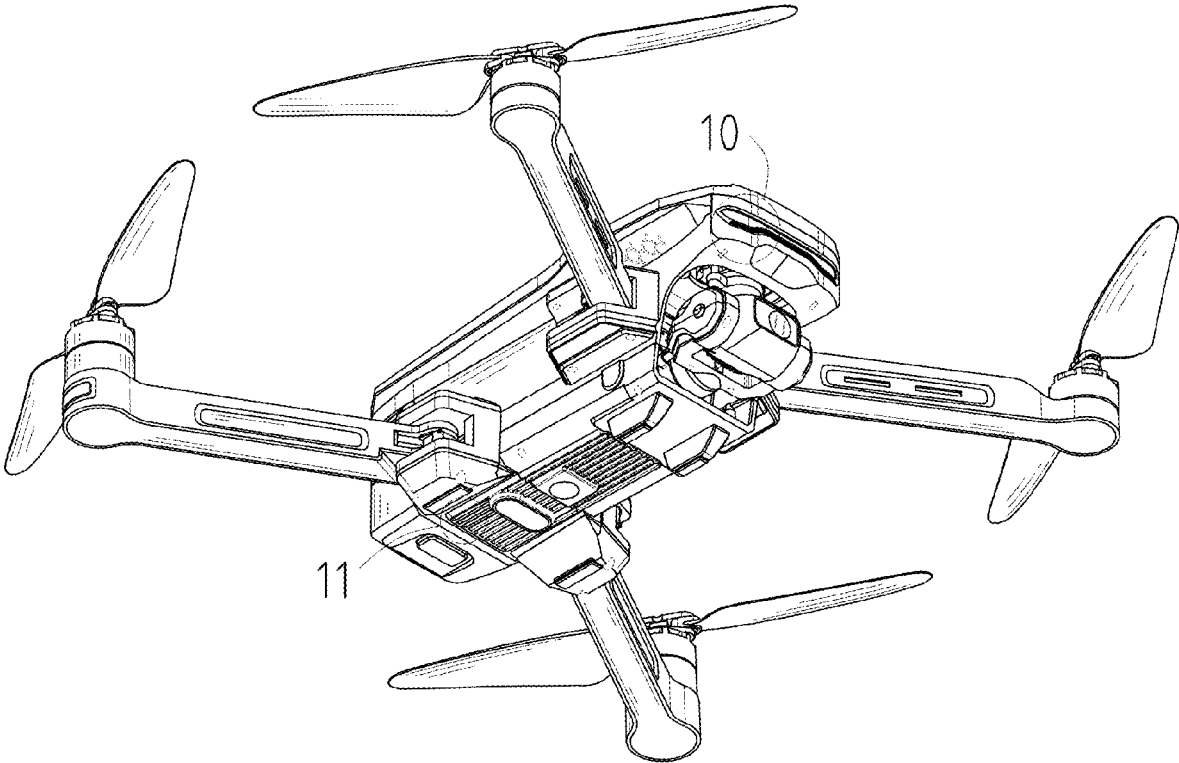


FIG. 2

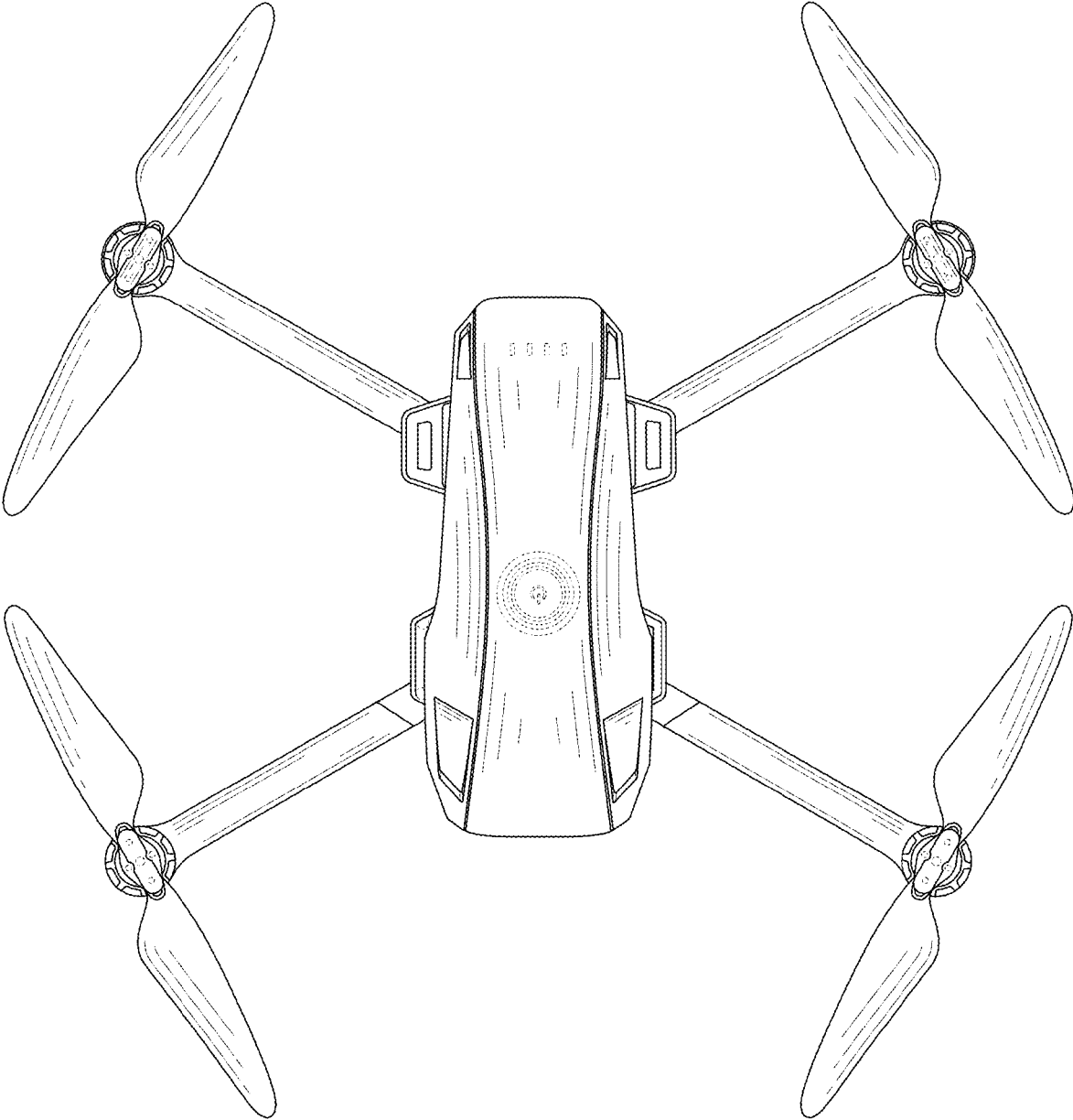


FIG. 3

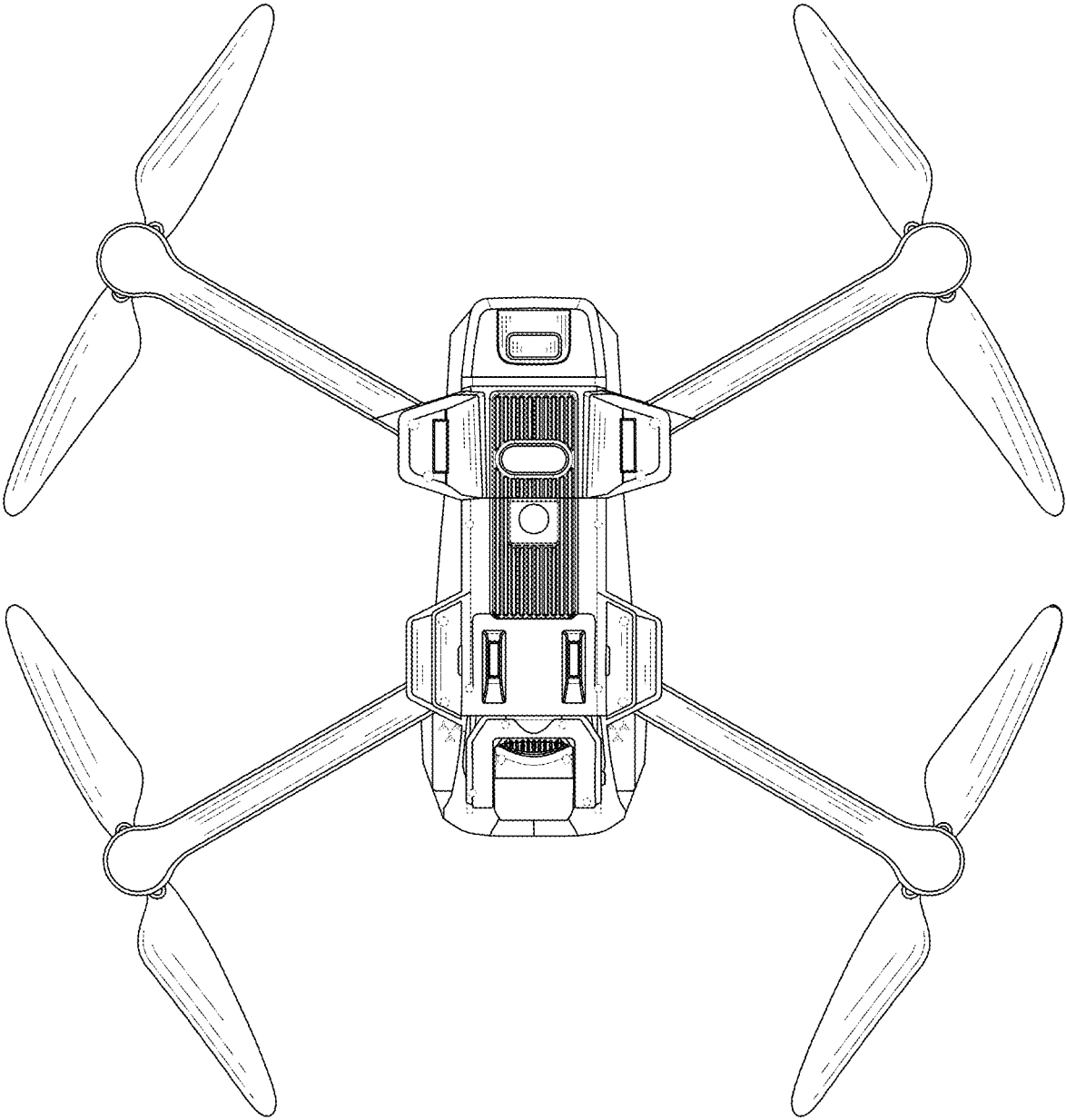


FIG. 4

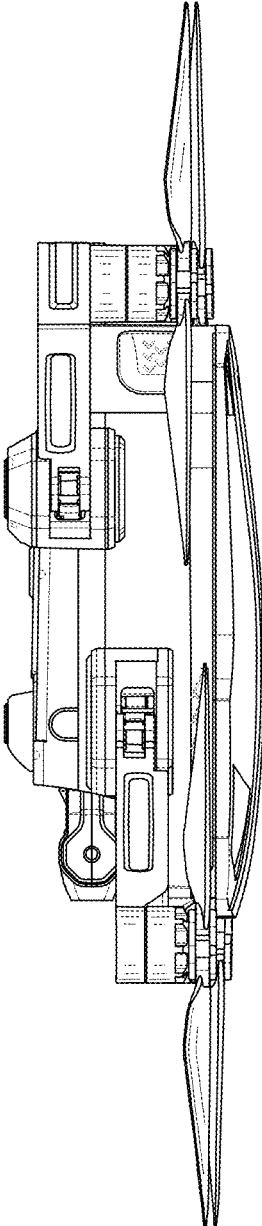


FIG. 5

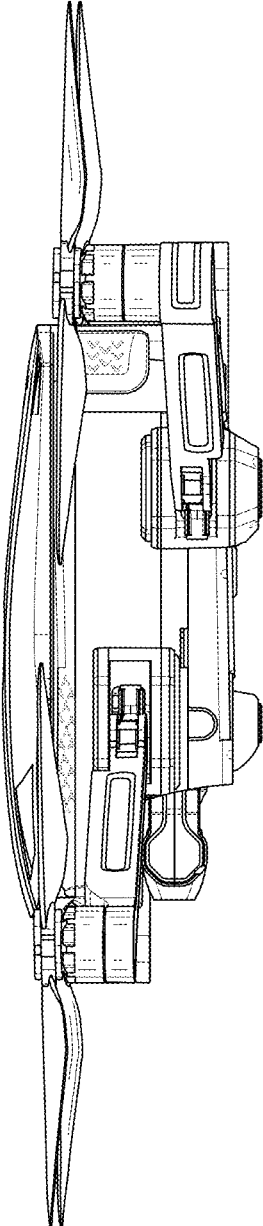


FIG. 6

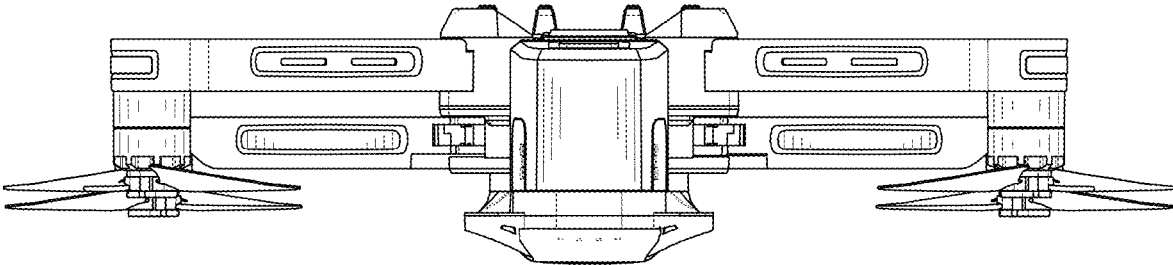


FIG. 7

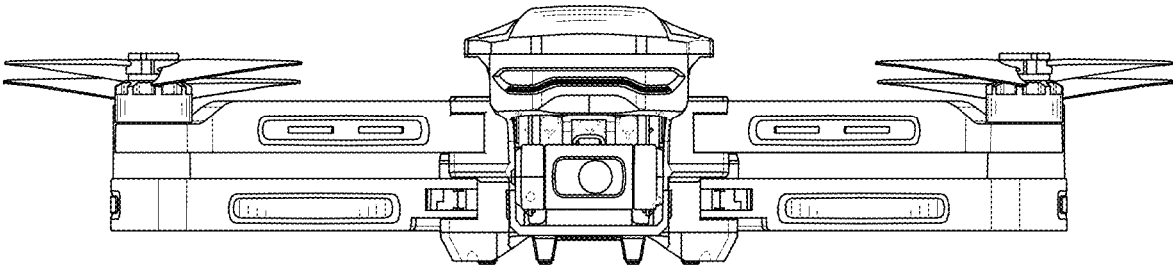


FIG. 8

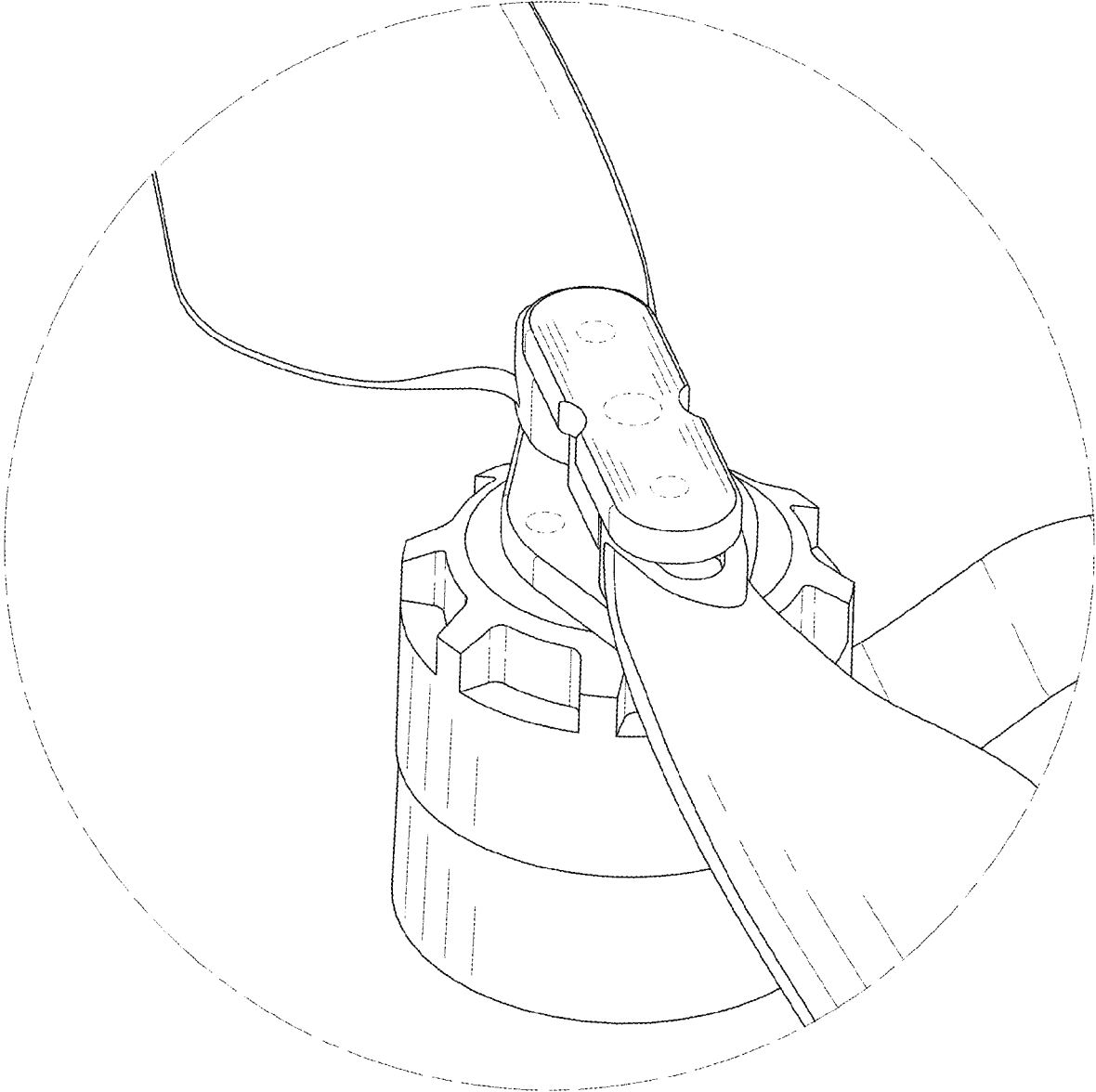


FIG. 9

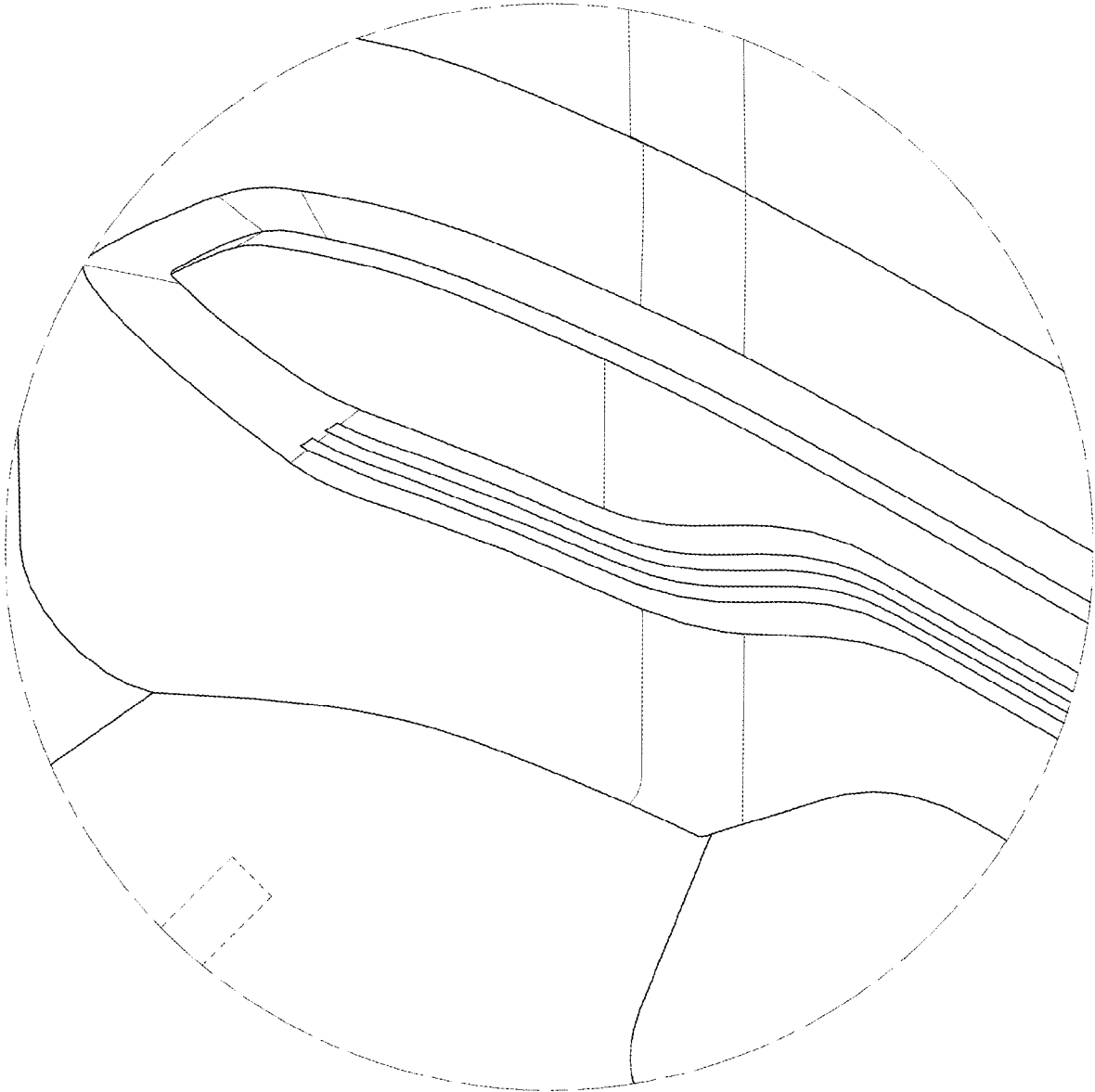


FIG. 10

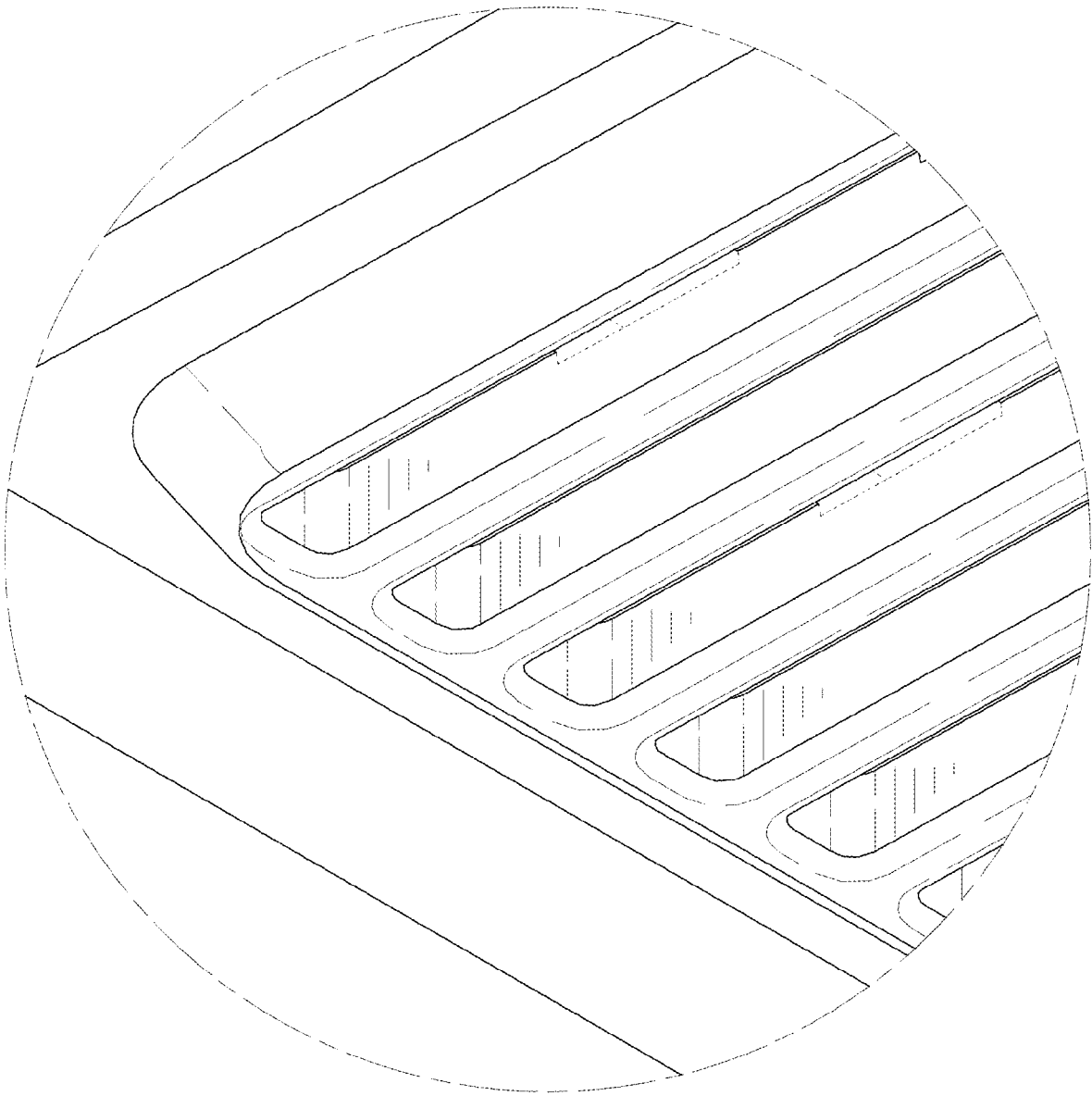


FIG. 11