



US00D847573S

(12) **United States Design Patent**
Xu

(10) **Patent No.:** **US D847,573 S**

(45) **Date of Patent:** **** May 7, 2019**

(54) **BOTTLE WITH FAN**

(71) Applicant: **ShenZhen TopSharp Precision Electronics Co., Ltd., Shenzhen (CN)**

(72) Inventor: **Wenlong Xu, Shenzhen (CN)**

(73) Assignee: **ShenZhen TopSharp Precision Electronics Co., Ltd., ShenZhen (CN)**

(**) Term: **15 Years**

(21) Appl. No.: **29/634,204**

(22) Filed: **Jan. 19, 2018**

(30) **Foreign Application Priority Data**

Jul. 21, 2017 (CN) 2017 3 03255473

(51) **LOC (11) Cl.** **07-01**

(52) **U.S. Cl.**
USPC **D7/507; D7/511; D7/532; D23/328; D23/382**

(58) **Field of Classification Search**

USPC D7/505, 507, 509, 510, 511, 523, 532, D7/608, 300.1, 213, 392.1, 396.2, 387, D7/396.6, 624.1, 624.2, 529, 396.4, 533, D7/536; D9/500, 501, 502, 503, 504, D9/505, 516, 530, 556, 569, 537, 549, D9/557, 546, 517; 220/529.16, 529.17; D24/197; 215/381; D23/207, 209, 328, D23/382, 314, 370; D14/212, 214, 216
CPC A47G 19/2205; A47G 19/2272; A47G 19/2266; A47J 43/27; A47J 41/02; A45F 3/16

See application file for complete search history.

(56) **References Cited**

U.S. PATENT DOCUMENTS

D349,954 S * 8/1994 Steiner 239/289
D387,153 S * 12/1997 Fok D23/332

D387,422 S * 12/1997 Radtke D23/328
D403,963 S * 1/1999 Ramsey D9/503
D434,840 S * 12/2000 Schaefer D23/328
D440,288 S * 4/2001 Schaefer D23/328
D443,053 S * 5/2001 Schaefer D23/328
D447,552 S * 9/2001 Lee D23/382
D448,290 S * 9/2001 Schultz D9/416
D457,613 S * 5/2002 Schaefer D23/328
D464,420 S * 10/2002 Tolar D23/382
D510,994 S * 10/2005 Indio Da Costa D23/382
D553,227 S * 10/2007 Chen D23/314
D564,084 S * 3/2008 Chen D23/382
D588,411 S * 3/2009 Watanabe D7/507
D674,476 S * 1/2013 Junkel D23/370
D684,249 S * 6/2013 Herbst D23/370

(Continued)

Primary Examiner — Marianne N Pandozzi

Assistant Examiner — Jae Liang

(57) **CLAIM**

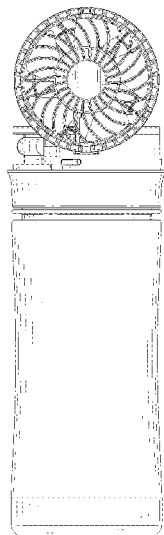
The ornamental design for a bottle with fan, as shown and described.

DESCRIPTION

FIG. 1 is a perspective view of a bottle with fan showing my new design;
FIG. 2 is a front elevational view thereof;
FIG. 3 is a rear elevational view thereof;
FIG. 4 is a left side elevational view thereof;
FIG. 5 is a right side elevational view thereof;
FIG. 6 is a top plan view thereof;
FIG. 7 is a bottom plan view thereof;
FIG. 8 is a perspective view thereof with the fan in an alternative position;
FIG. 9 is an in use perspective view thereof with unclaimed lid and handle; and,
FIG. 10 is an in use exploded view thereof with unclaimed lid and handle.

The broken lines in the drawings depict portions of the bottle with fan that form no part of the claimed design.

1 Claim, 10 Drawing Sheets



(56)

References Cited

U.S. PATENT DOCUMENTS

D698,428	S *	1/2014	Sands	D23/314
D721,431	S *	1/2015	Herbst	D23/382
D752,201	S *	3/2016	Herbst	D23/370
D760,370	S *	6/2016	Herbst	D23/370
D761,624	S *	7/2016	McLean	D7/507
D798,110	S *	9/2017	Valenti	D7/507
D799,022	S *	10/2017	Ksiazek	D23/411
D801,060	S *	10/2017	Hollinger	D6/309
D807,487	S *	1/2018	Delerue	D23/382
D824,012	S *	7/2018	Xu	D23/382
10,023,366	B2 *	7/2018	Gilbert	A47G 19/2272
D825,048	S *	8/2018	Breit	D23/382
2011/0303562	A1 *	12/2011	Franklin	A45C 11/005 206/223
2016/0356279	A1 *	12/2016	Xu	F04D 25/084

* cited by examiner

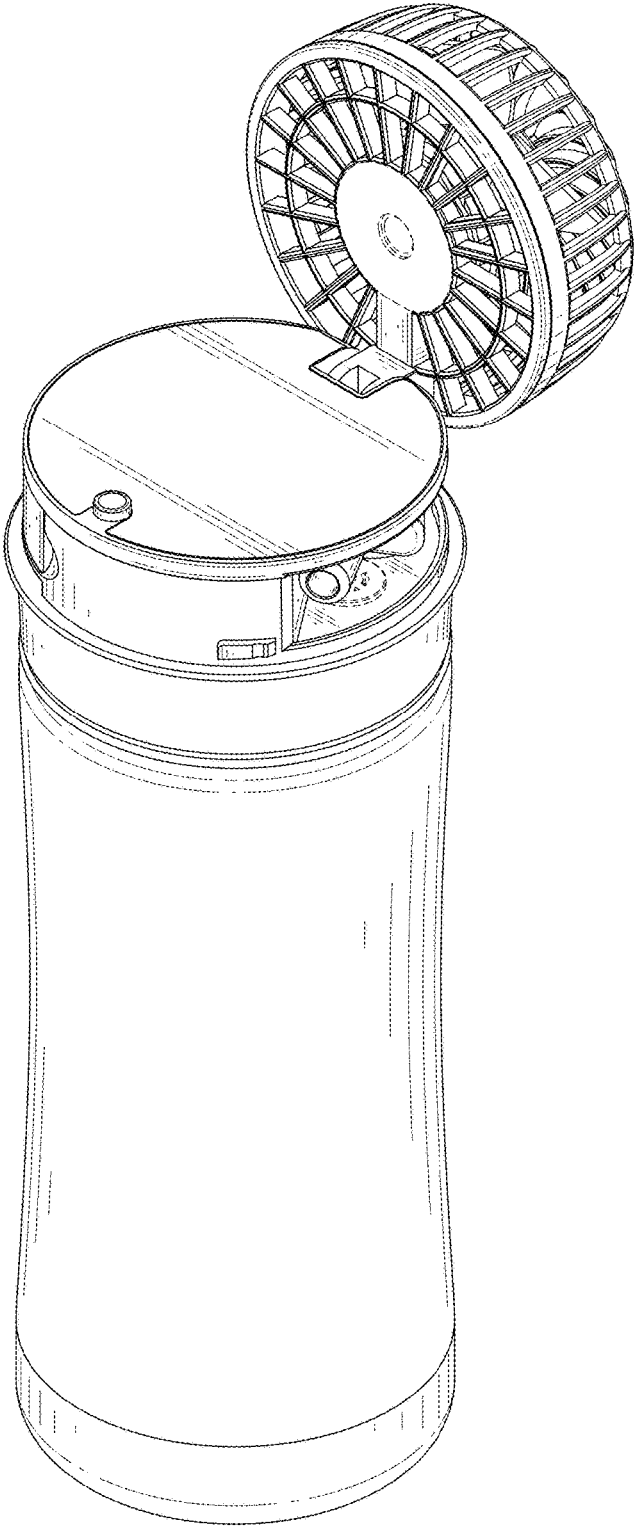


FIG. 1

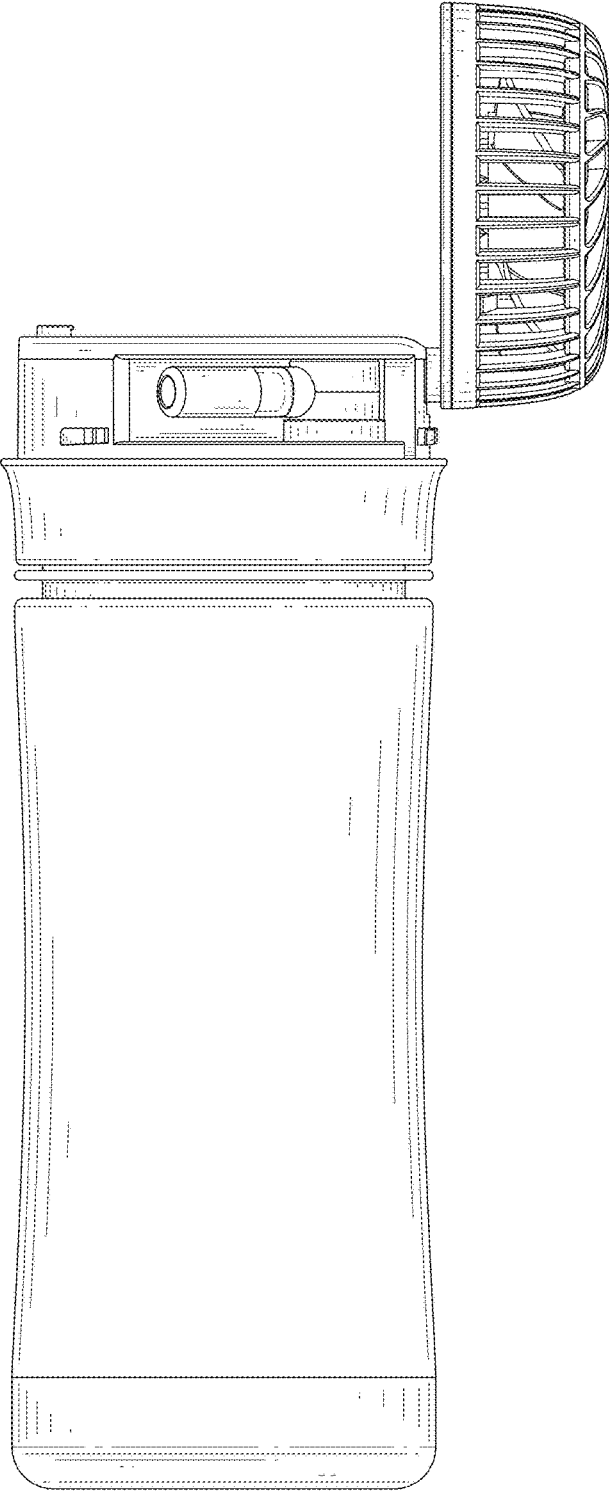


FIG. 2

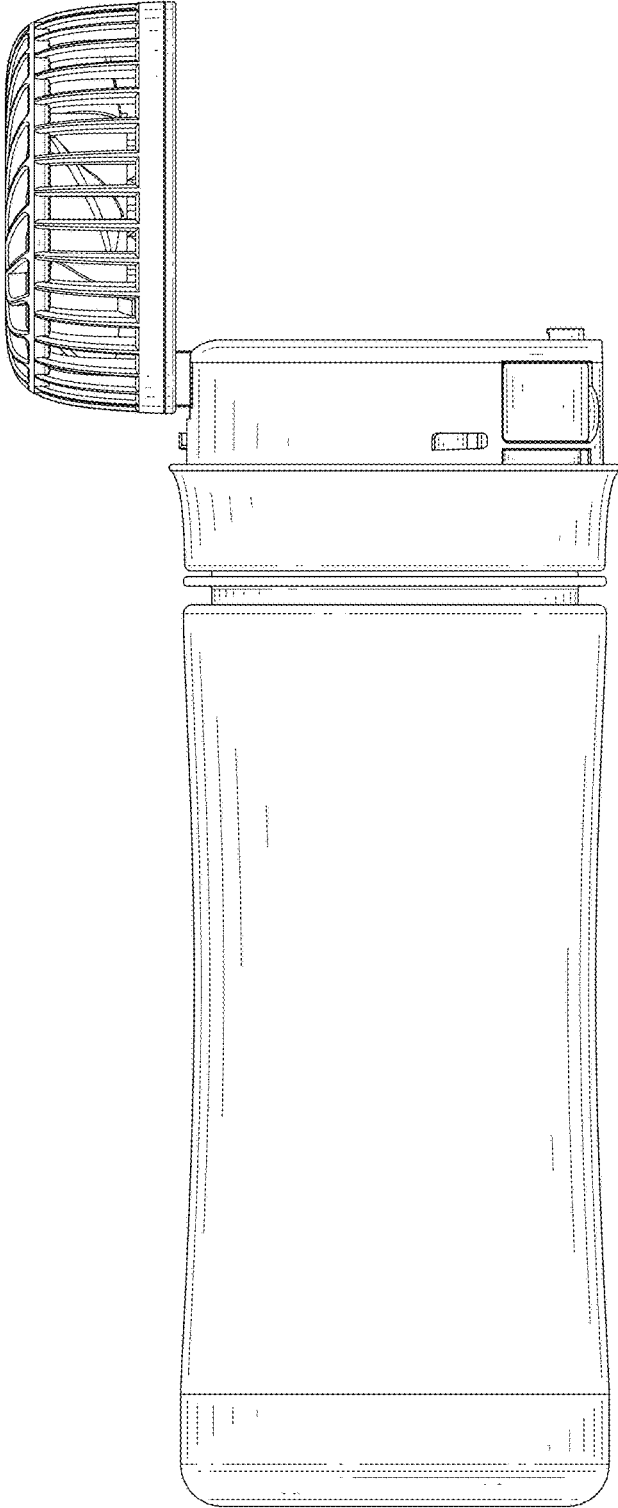


FIG. 3

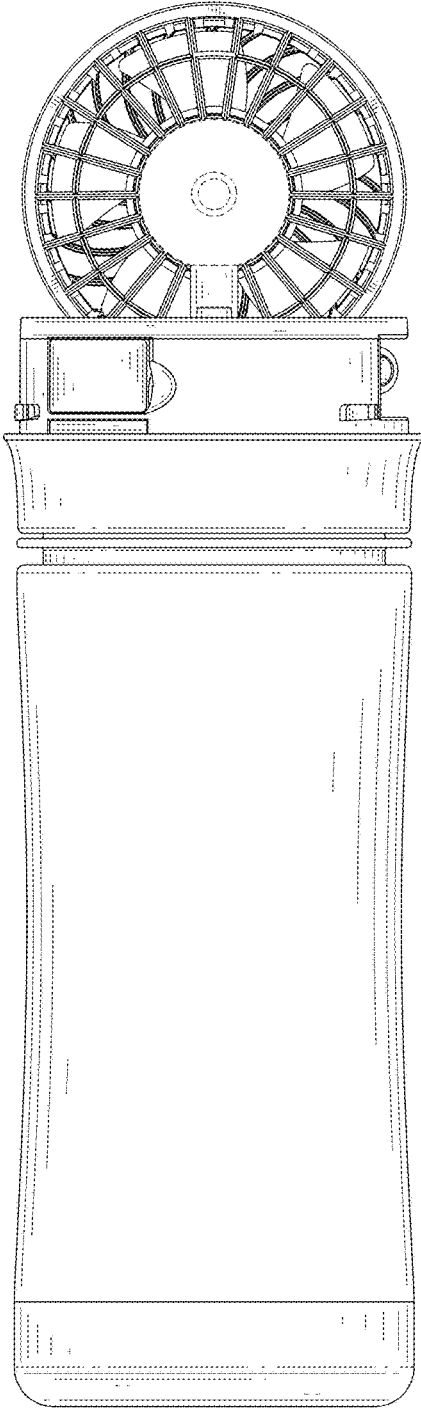


FIG. 4

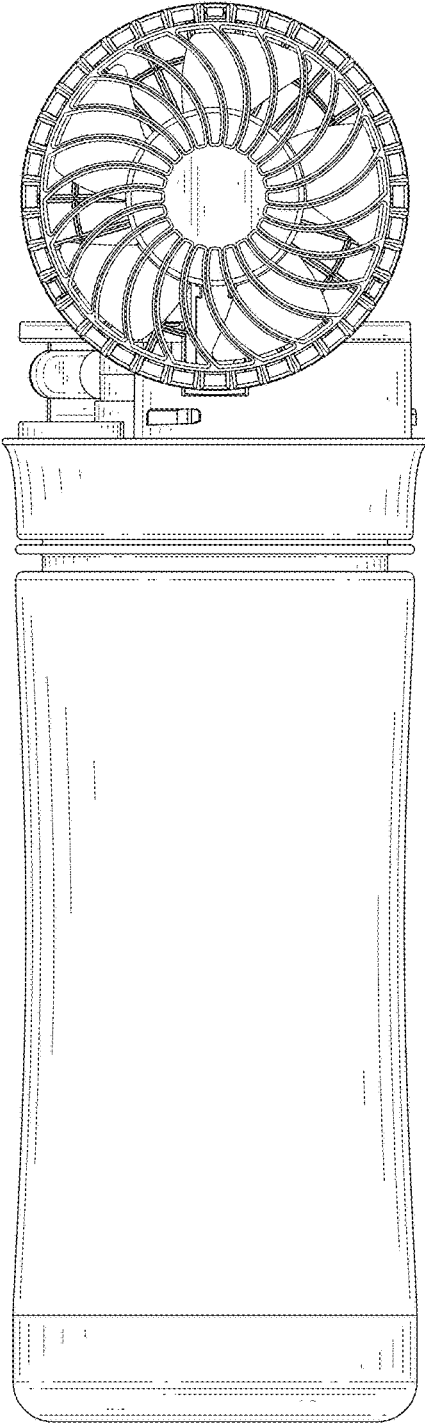


FIG. 5

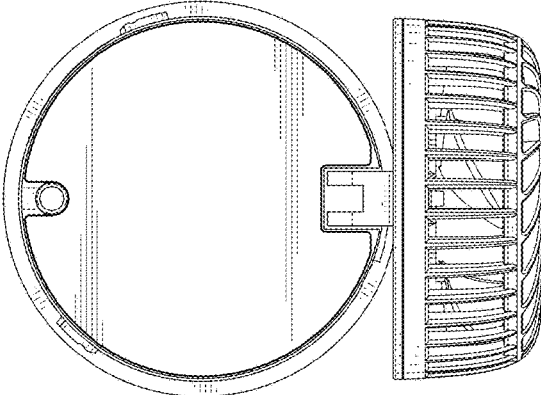


FIG. 6

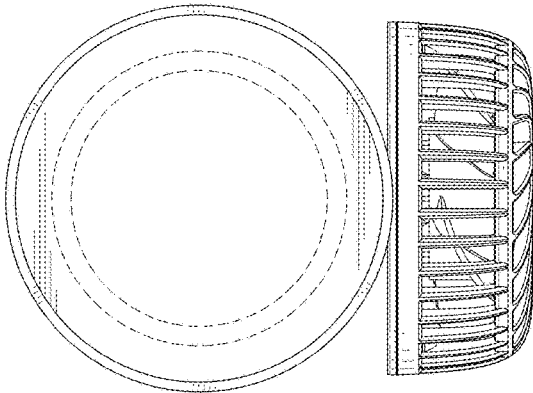


FIG. 7

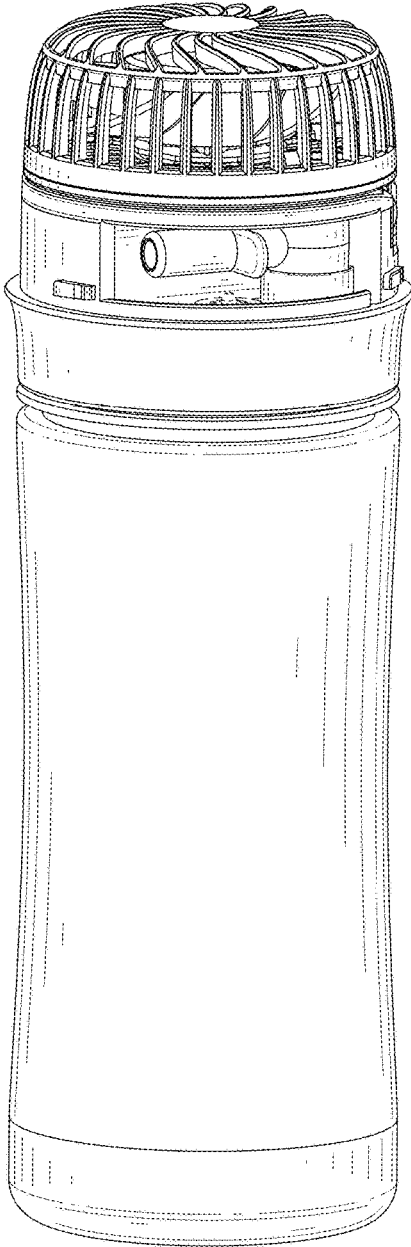


FIG. 8

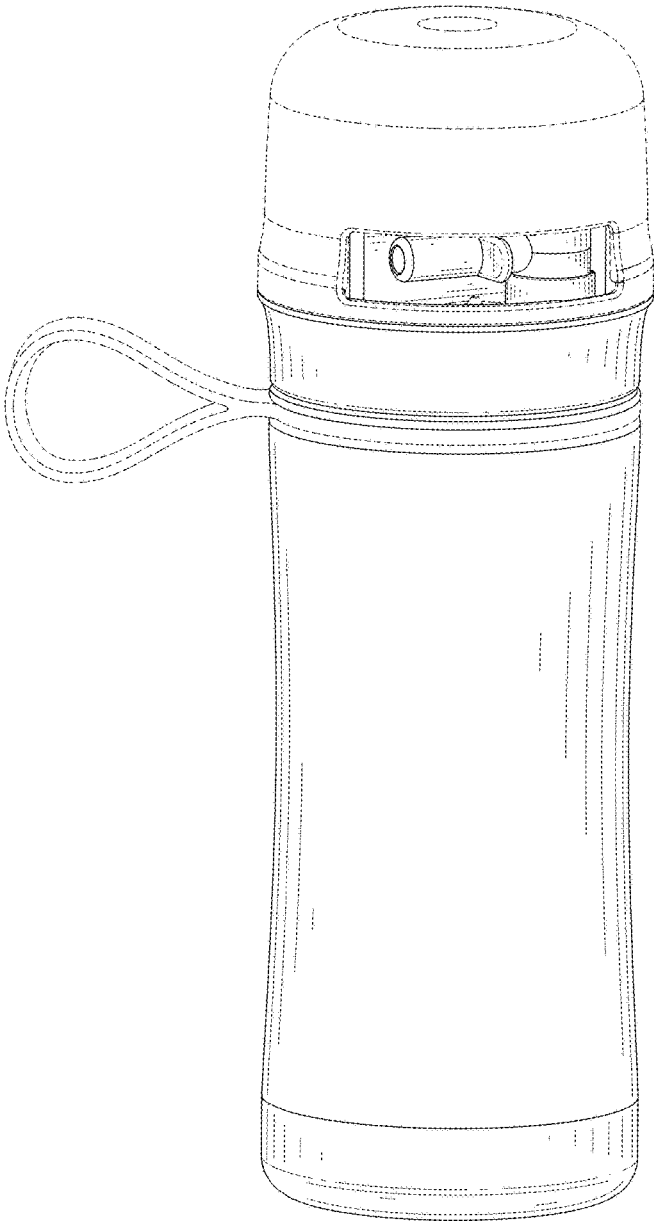


FIG. 9

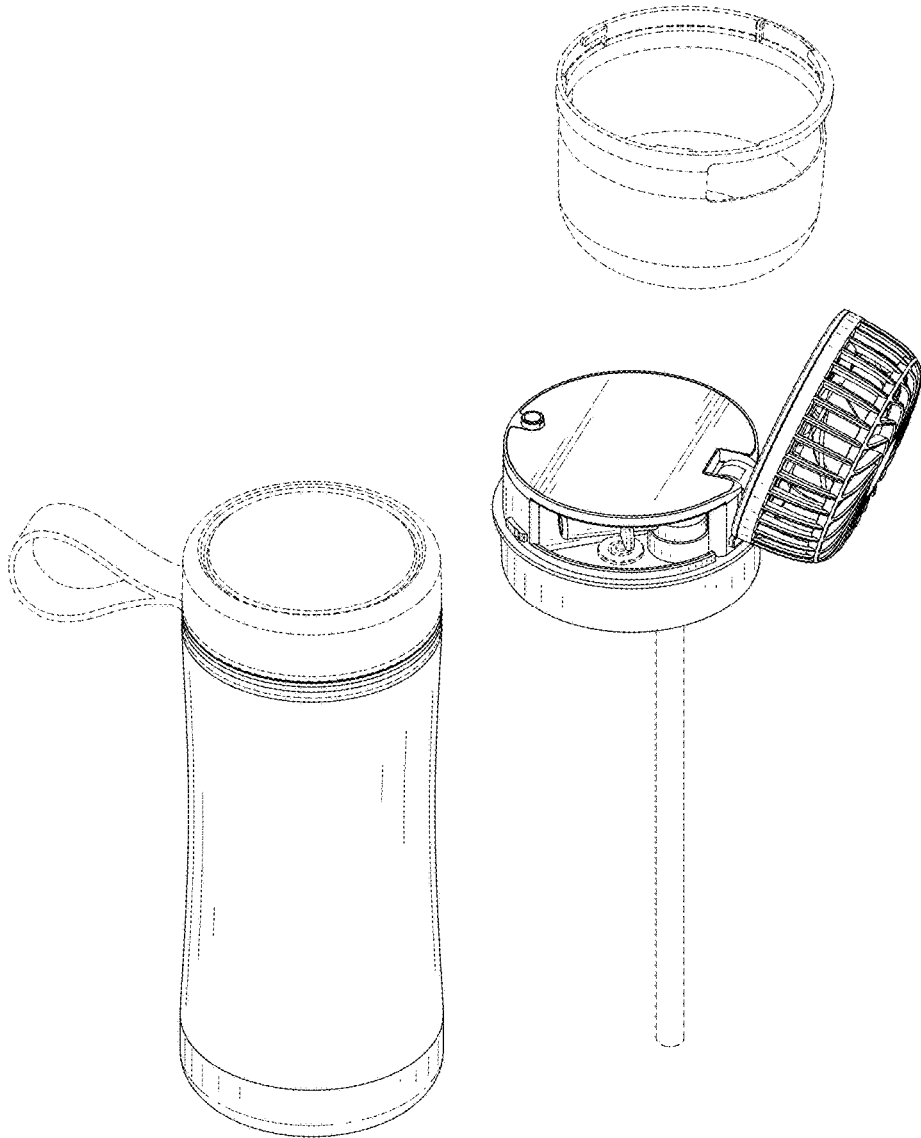


FIG. 10